



US00D840820S

(12) **United States Design Patent** (10) **Patent No.:** **US D840,820 S**  
**Hwang** (45) **Date of Patent:** **\*\* Feb. 19, 2019**

(54) **INSERT FOR COSMETIC CONTAINER**

(71) Applicant: **F.S. KOREA INDUSTRIES INC.,**  
Seoul (KR)

(72) Inventor: **Jae Kwang Hwang,** Seoul (KR)

(73) Assignee: **F.S.KOREA INDUSTRIES INC.,**  
Seoul (KR)

(\*\*) Term: **15 Years**

(21) Appl. No.: **29/593,113**

(22) Filed: **Feb. 6, 2017**

(30) **Foreign Application Priority Data**

Aug. 10, 2016 (KR) ..... 30-2016-0039088

(51) **LOC (11) Cl.** ..... **09-07**

(52) **U.S. Cl.**  
USPC ..... **D9/456**

(58) **Field of Classification Search**

USPC ..... D3/17, 27; D7/387, 397, 398, 667, 687,  
D7/700; D9/417, 431, 434, 435, 439,  
D9/440, 442, 447, 454, 499, 449, 450,  
D9/707, 708, 723, 724, 726; D11/152;  
D19/73, 115, 162, 163, 194, 198, 200;  
D23/206, 209, 259, 260, 261;  
D24/108-110, 117, 121, 127, 128, 129,  
D24/162, 198, 199; D28/4, 76, 77, 84,  
D28/85, 86, 87, 88, 80, 90  
CPC .... A45D 2040/0018; A45D 2040/0025; A45D  
2040/202; A45D 2040/204; A45D  
2200/054; A45D 2200/1063; A45D 34/06;  
A45D 33/00; A45D 33/003; A45D 33/18;  
A45D 33/14; A45D 33/16; A45D 33/22;  
A45D 2034/002; A45D 34/04; A45D  
34/041; A45D 34/042; A45D 34/043;  
A45D 34/045; A45D 34/046; A45D  
34/047; A45D 34/048; B65D 47/043;  
B65D 47/12; B65D

(Continued)

(56) **References Cited**

U.S. PATENT DOCUMENTS

D120,464 S \* 5/1940 Martin ..... D9/434

D157,332 S \* 2/1950 Bolard ..... D9/439

(Continued)

FOREIGN PATENT DOCUMENTS

EP 3060483 B1 \* 8/2017 ..... A45D 34/00

EP 3202278 A4 \* 5/2018 ..... A45D 34/06

(Continued)

*Primary Examiner* — Jennifer Rivard

*Assistant Examiner* — Catherine S Posthauer

(74) *Attorney, Agent, or Firm* — Heedong Chae; Lucem,  
PC

(57) **CLAIM**

The ornamental design for an insert for cosmetic container,  
as shown and described.

**DESCRIPTION**

FIG. 1 is a perspective view of an insert for cosmetic  
container showing my new design;

FIG. 2 is a front view thereof;

FIG. 3 is a rear view thereof;

FIG. 4 is a left side view thereof;

FIG. 5 is a right side view thereof;

FIG. 6 is a top plan view thereof;

FIG. 7 is a bottom view thereof;

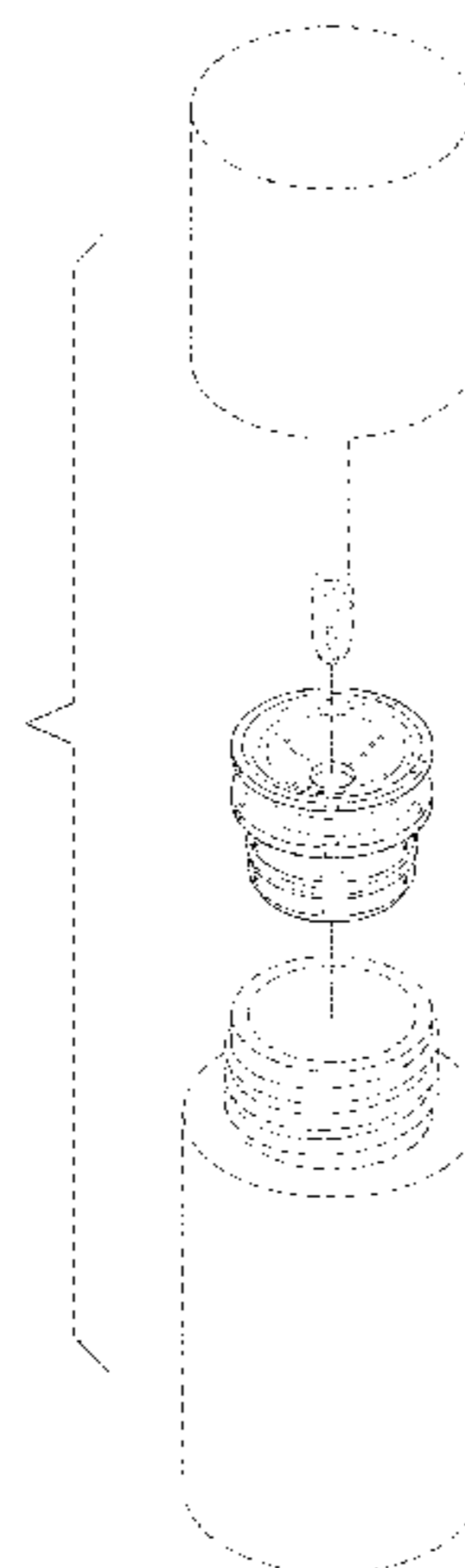
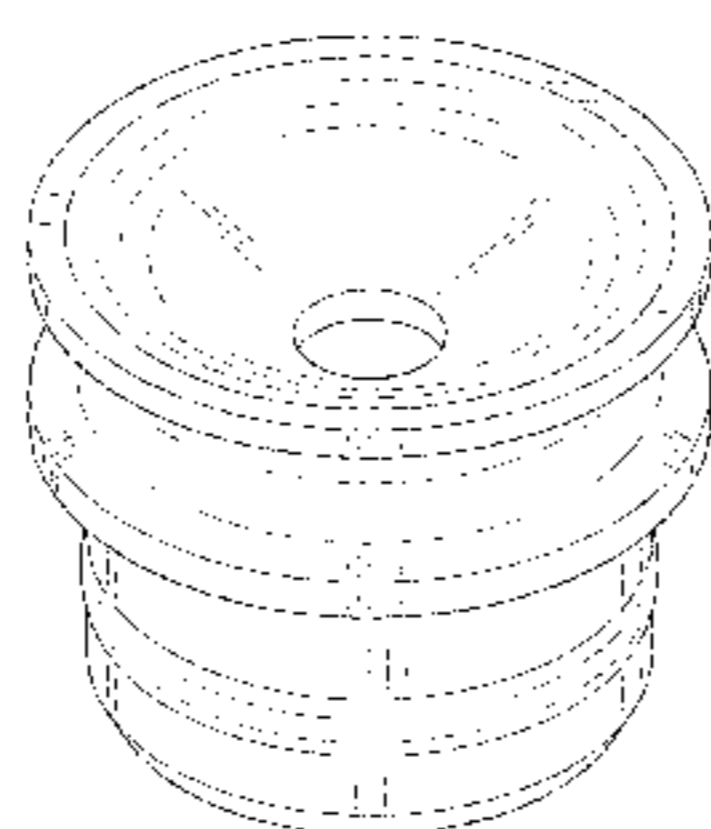
FIG. 8 is another perspective view thereof;

FIG. 9 is a cross sectional view of the insert for cosmetic  
container, taken in the direction of line 9-9 on FIG. 2; and,

FIG. 10 is a perspective view thereof, showing the insert for  
cosmetic container in a position of use.

The broken lines are shown for the purpose of illustrating  
environmental subject matter and form no part of the claim.

**1 Claim, 10 Drawing Sheets**



**US D840,820 S**

- (58) **Field of Classification Search**  
CPC ..... 47/42; B65D 77/30; B65D 83/00; B65D  
83/0027; B65D 83/285; B65D 83/30;  
B65D 83/40; B65D 1/00; B65D 1/26;  
B65D 1/265; B65D 81/3255  
See application file for complete search history.

(56) **References Cited**

U.S. PATENT DOCUMENTS

D191,588	S *	10/1961	Schlumbohm	.....	D7/584
D198,107	S *	4/1964	McCullouch	.....	D9/439
D205,276	S *	7/1966	Kort	.....	D23/260
D205,678	S *	9/1966	Williams	.....	141/340
D229,735	S *	1/1974	Croyle	.....	222/427
3,792,794	A *	2/1974	Cutter	.....	B65D 51/002
					215/247
4,128,189	A *	12/1978	Baxter	.....	B65D 47/12
					222/109
D310,123	S *	8/1990	Carlson	.....	D23/200
D338,523	S *	8/1993	Zlotnik	.....	D23/366
D369,760	S *	5/1996	Sanderson	.....	D11/152
D402,354	S *	12/1998	Strong	.....	D23/259
D423,405	S *	4/2000	Grosfillex	.....	D11/152
6,209,548	B1 *	4/2001	Harrison	.....	A45D 34/042
					132/200
D448,294	S *	9/2001	Alscher	.....	D9/435
D501,138	S *	1/2005	Uchiyama	.....	D9/439
7,044,669	B2 *	5/2006	Winckels	.....	A45D 34/046
					401/122
D583,058	S *	12/2008	Short	.....	D24/162
D589,764	S *	4/2009	Randolph	.....	D7/700
D639,657	S *	6/2011	Hoyt	.....	D9/439
8,021,068	B2 *	9/2011	Shih	.....	A45D 34/042
					401/277
D662,794	S *	7/2012	Enghard	.....	D7/700
D668,177	S *	10/2012	Friesen	.....	D11/152
8,287,199	B2 *	10/2012	Salciarini	.....	A45D 34/046
					401/109
D682,097	S *	5/2013	Chiorazzi	.....	D9/439
D715,146	S *	10/2014	Holmes	.....	D9/447
D732,955	S *	6/2015	Peckels	.....	D9/440
D733,262	S *	6/2015	Kang	.....	D23/261
9,161,605	B2 *	10/2015	Kim	.....	B05B 11/3015
9,180,475	B2 *	11/2015	Cho	.....	B05B 11/0038
D754,542	S *	4/2016	Shaw	.....	D9/454
D762,825	S *	8/2016	Walker	.....	D23/259
D780,297	S *	2/2017	Ray	.....	D23/262
D799,895	S *	10/2017	Westrick	.....	D7/398
9,867,443	B2 *	1/2018	Kim	.....	B05B 1/06
D819,443	S *	6/2018	Martinez Carregui	.....	D9/440
D823,115	S *	7/2018	Walker	.....	D9/447
10,010,152	B2 *	7/2018	Chan	.....	A45D 34/046
D826,046	S *	8/2018	Niles	.....	D9/439

D829,065	S *	9/2018	Marantis	.....	D7/700
2003/0168473	A1 *	9/2003	Ho	.....	B65D 50/045
					222/153.13
2004/0159579	A1 *	8/2004	Winckels	.....	A45D 34/046
					206/581
2006/0198690	A1 *	9/2006	Neuner	.....	A45D 34/046
					401/122
2010/0143022	A1 *	6/2010	Shih	.....	A45D 34/042
					401/136
2011/0243642	A1 *	10/2011	Zhang	.....	A45D 34/041
					401/213
2012/0138699	A1 *	6/2012	Prischak	.....	B65D 83/205
					239/1
2012/0266907	A1 *	10/2012	Chan	.....	A45D 34/042
					132/218
2015/0079239	A1 *	3/2015	Ferry	.....	B65D 1/26
					426/106
2015/0108173	A1 *	4/2015	Kim	.....	B05B 11/3015
					222/321.8
2015/0164210	A1 *	6/2015	Lou	.....	A46B 9/021
					401/129
2015/0320175	A1 *	11/2015	Lee	.....	A45D 34/00
					222/372
2016/0128446	A1 *	5/2016	Lin	.....	A45D 34/042
					401/206
2016/0150867	A1 *	6/2016	Lee	.....	A45D 34/00
					222/209
2016/0150868	A1 *	6/2016	Jung	.....	A45D 34/04
					222/562
2017/0105506	A1 *	4/2017	Chan	.....	A45D 34/046
2017/0181523	A1 *	6/2017	Jung	.....	A45D 34/00
2017/0208917	A1 *	7/2017	Kim	.....	B05B 1/06
2017/0208918	A1 *	7/2017	Liard	.....	A45D 34/046
2017/0224972	A1 *	8/2017	Ignon	.....	A45D 34/04
2017/0265618	A1 *	9/2017	Eberlein	.....	A45D 34/045
2017/0303663	A1 *	10/2017	Kim	.....	A45D 34/046
2017/0311699	A1 *	11/2017	Manici	.....	A45D 40/267
2017/0349340	A1 *	12/2017	Hwang	.....	A45D 34/04
2018/0027944	A1 *	2/2018	Kim	.....	A45D 34/00
2018/0055194	A1 *	3/2018	Arredondo	.....	A45D 34/046
2018/0220771	A1 *	8/2018	Chan	.....	A45D 34/046

FOREIGN PATENT DOCUMENTS

EP	3000349	B1 *	8/2018	.....	B05B 11/3052
FR	2832297	A1 *	5/2003	.....	A45D 34/04
FR	2956332	A1 *	8/2011	.....	A45D 34/042
WO	WO-2013086673	A1 *	6/2013	.....	A45D 40/06
WO	WO-2013186522	A1 *	12/2013	.....	B65D 47/043
WO	WO-2015102263	A1 *	7/2015	.....	A45D 40/24
WO	WO-2017115992	A1 *	7/2017	.....	A45D 34/04
WO	WO-2017188521	A1 *	11/2017	.....	B05B 11/3059
WO	WO-2018004118	A1 *	1/2018	.....	A45D 33/00

\* cited by examiner

FIG. 1

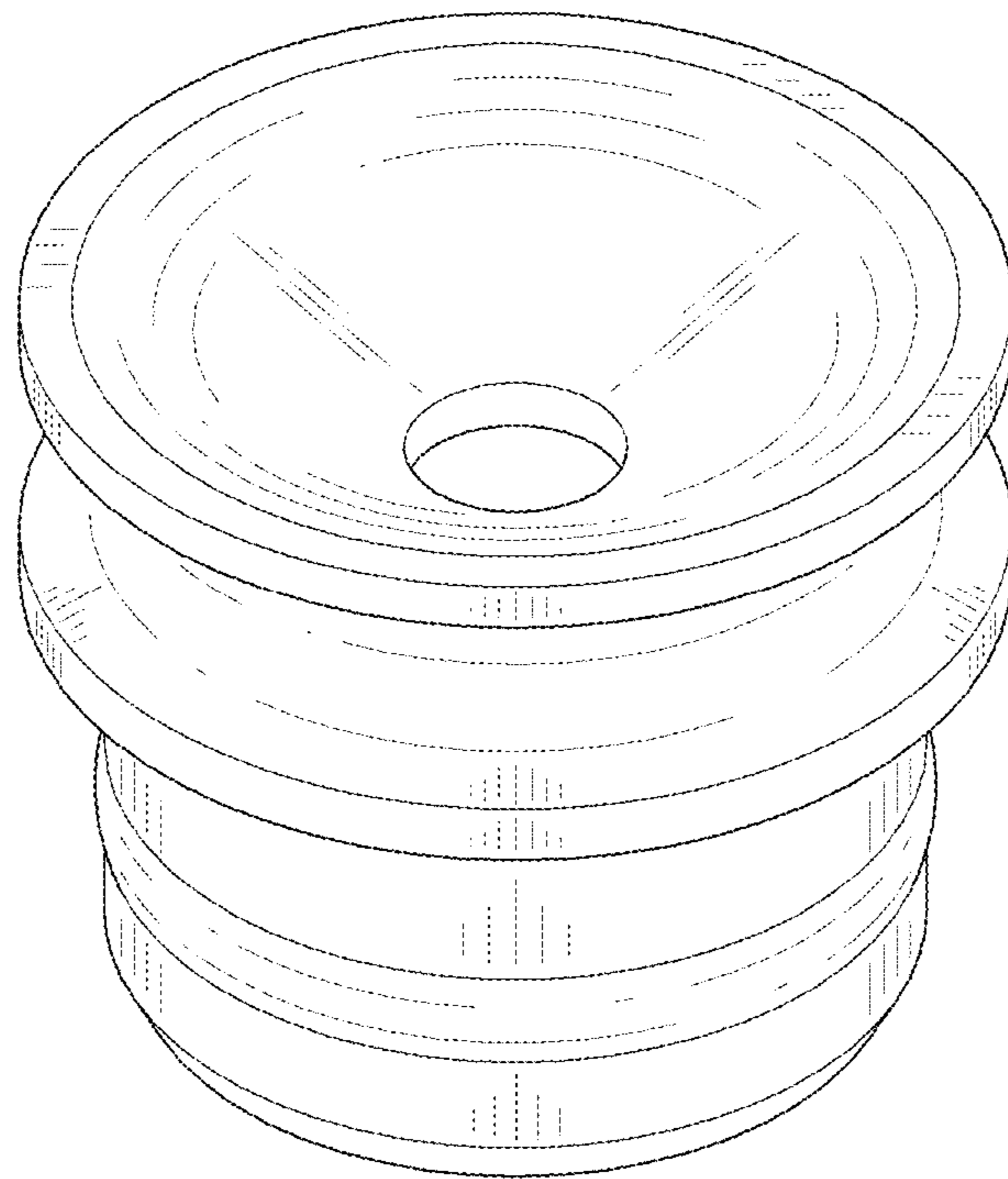


FIG. 2

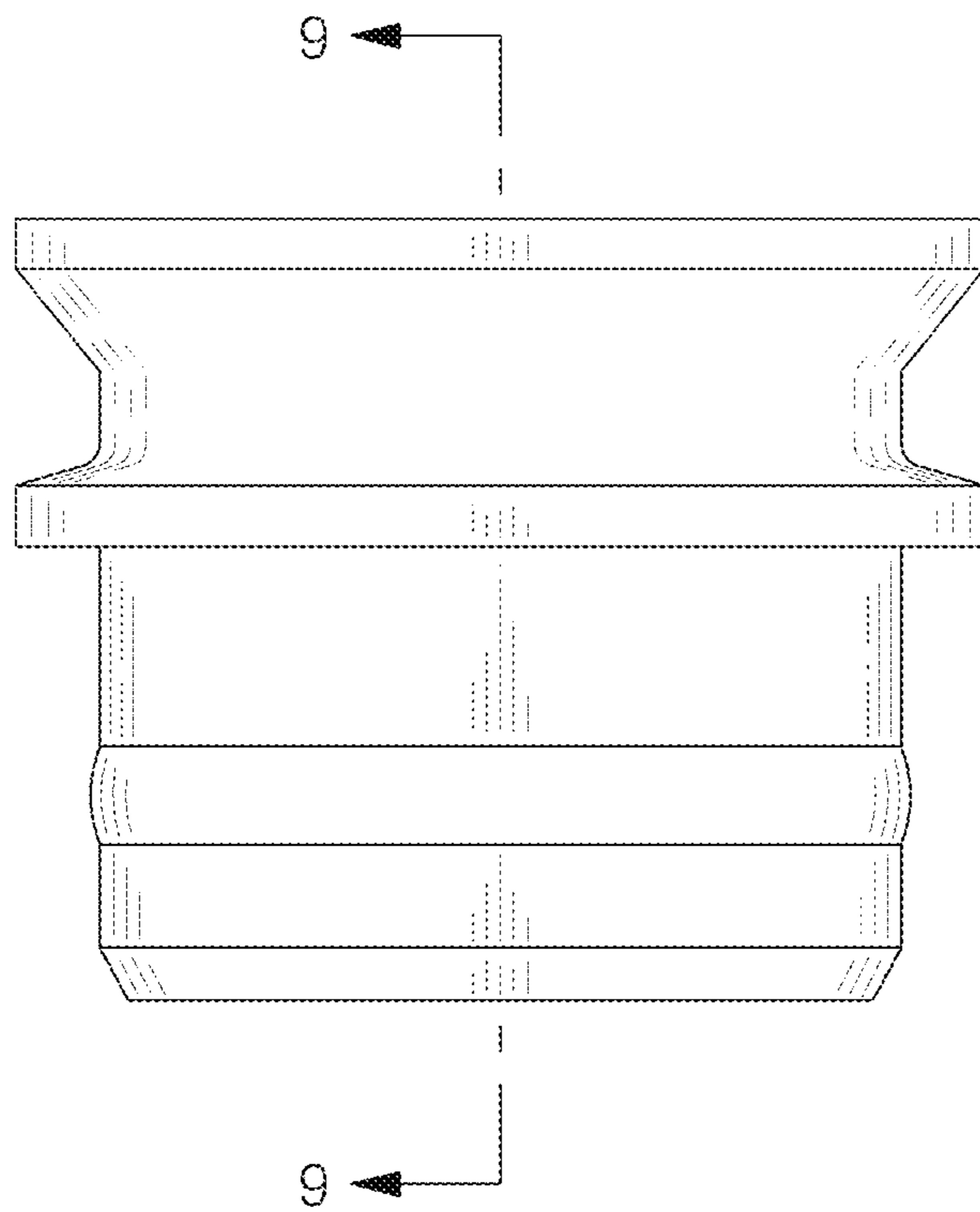


FIG. 3

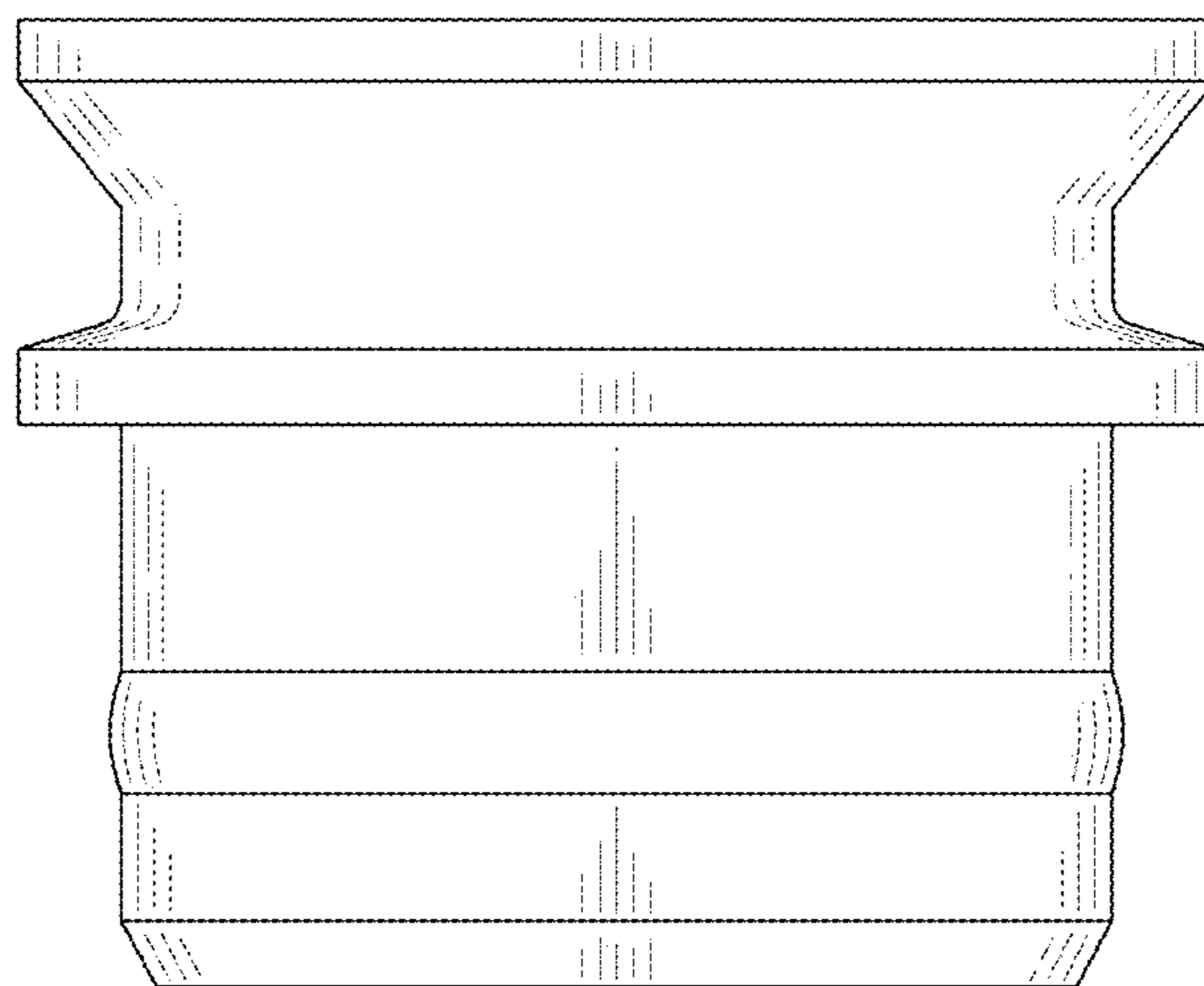


FIG. 4

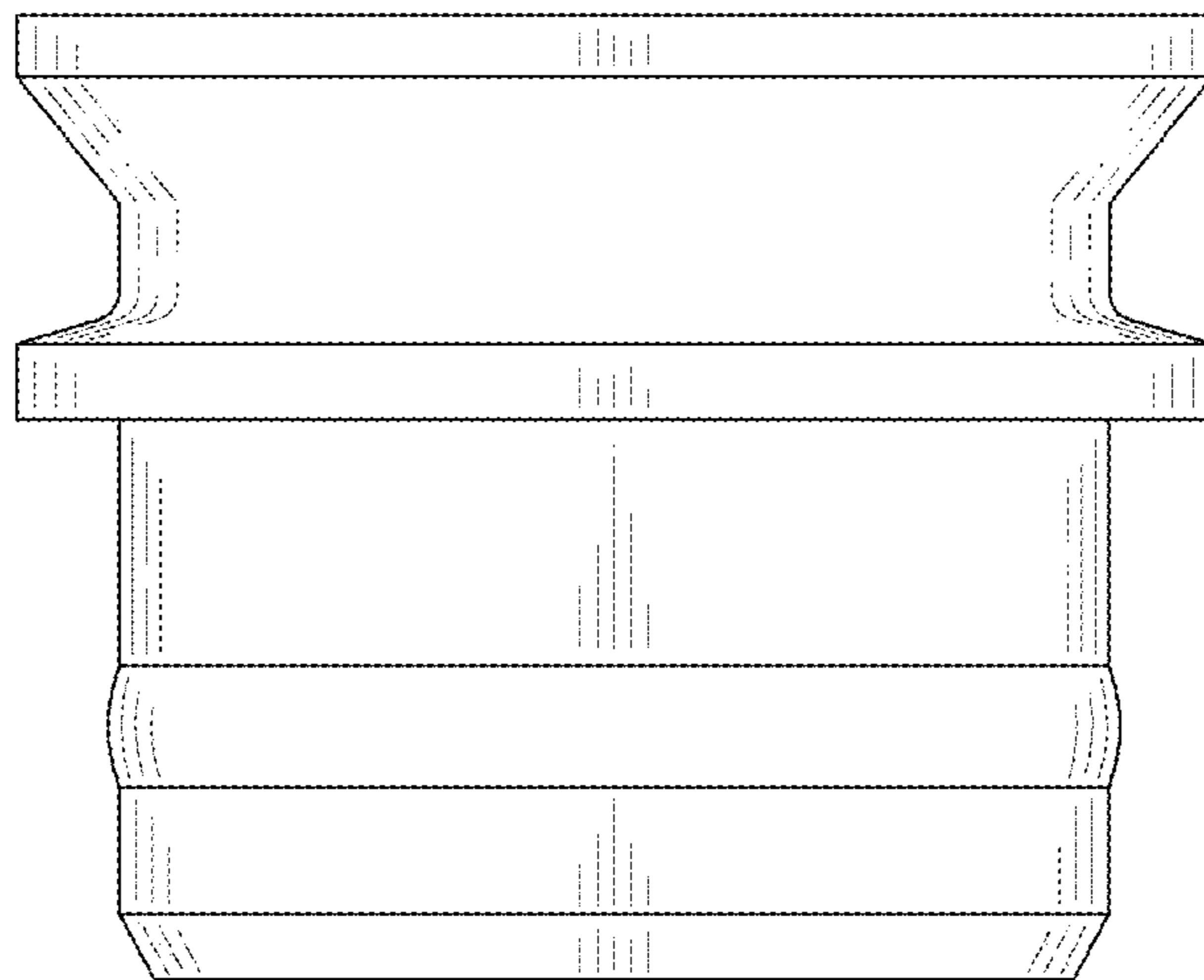


FIG. 5

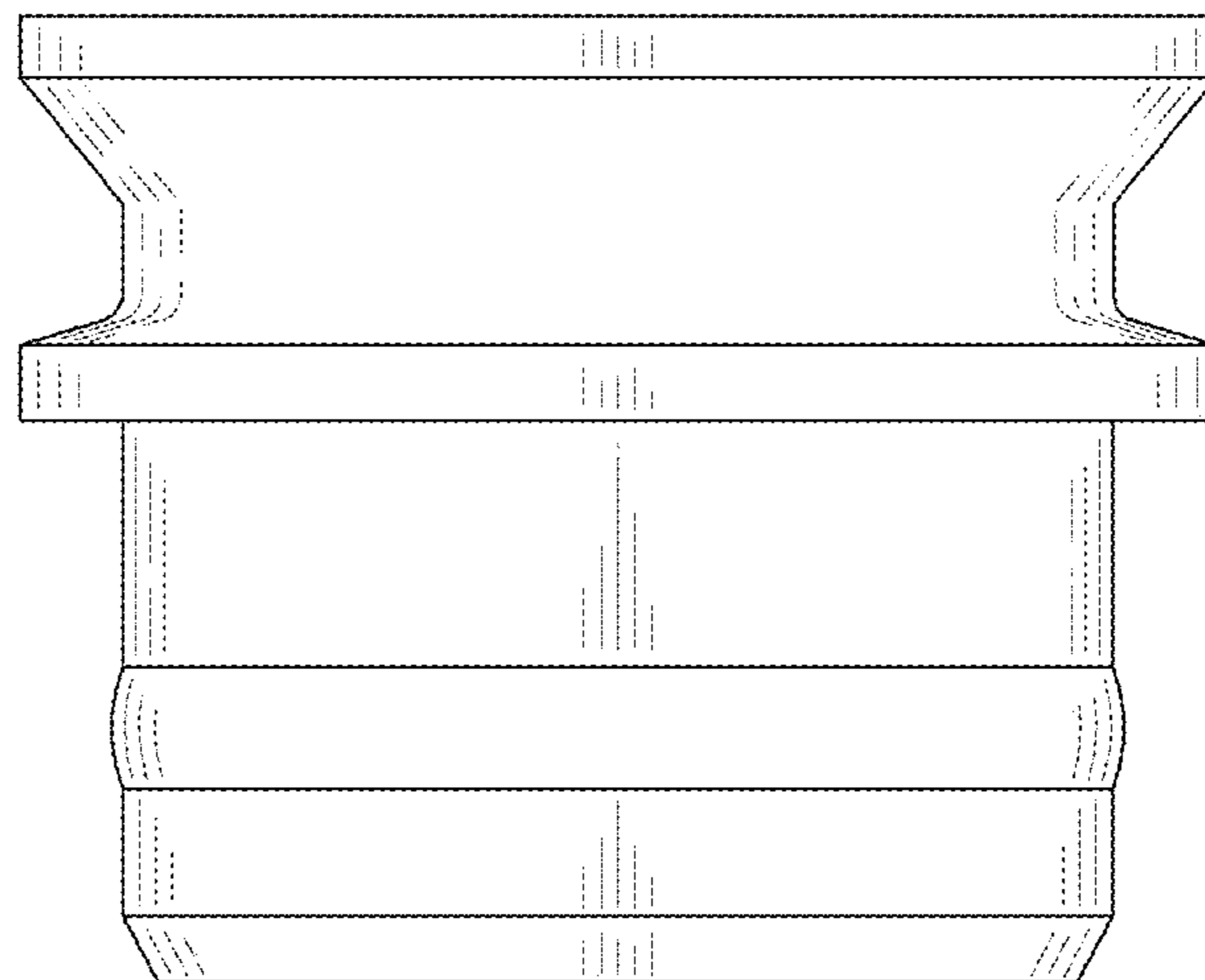


FIG. 6

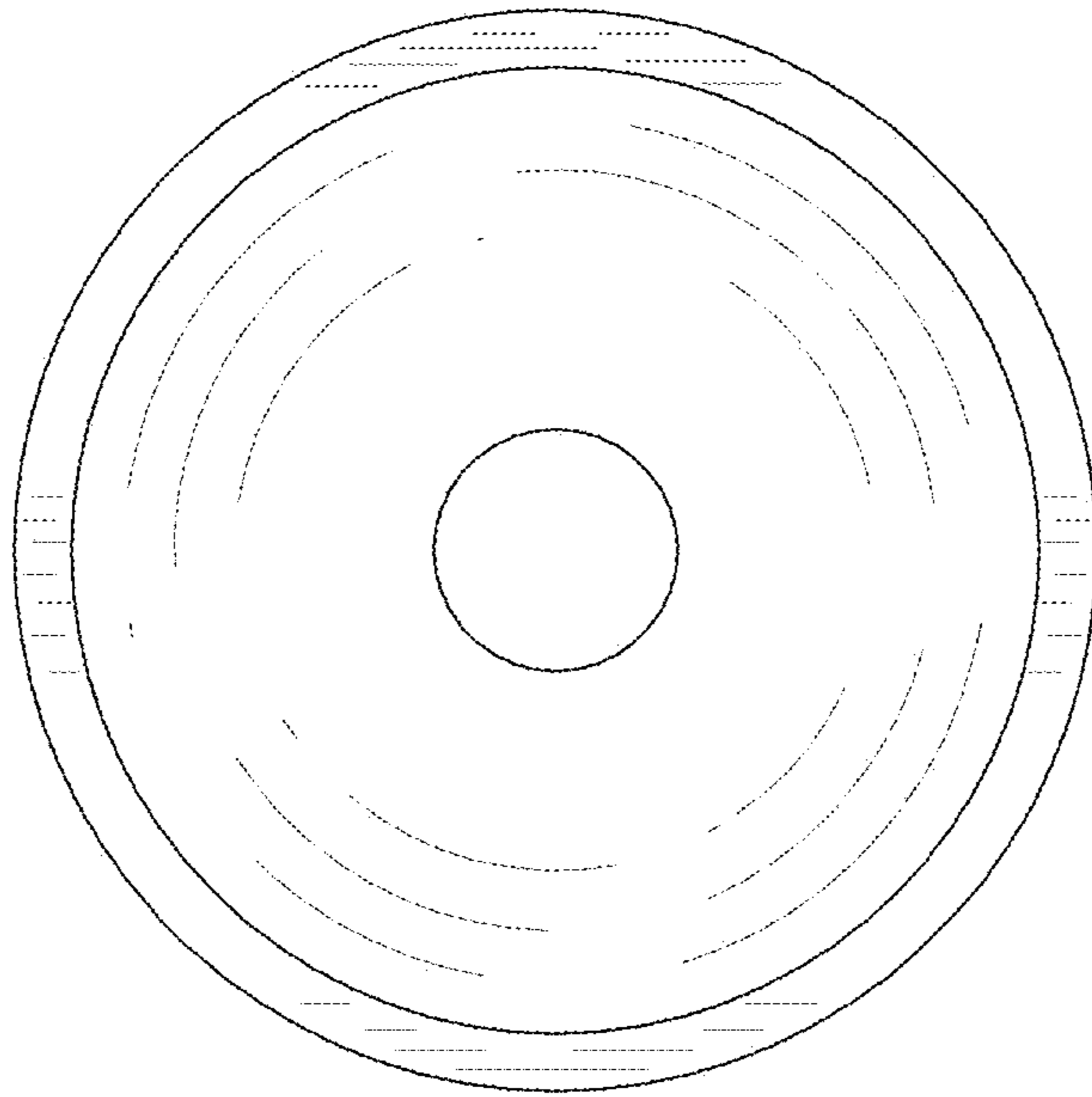




FIG. 7

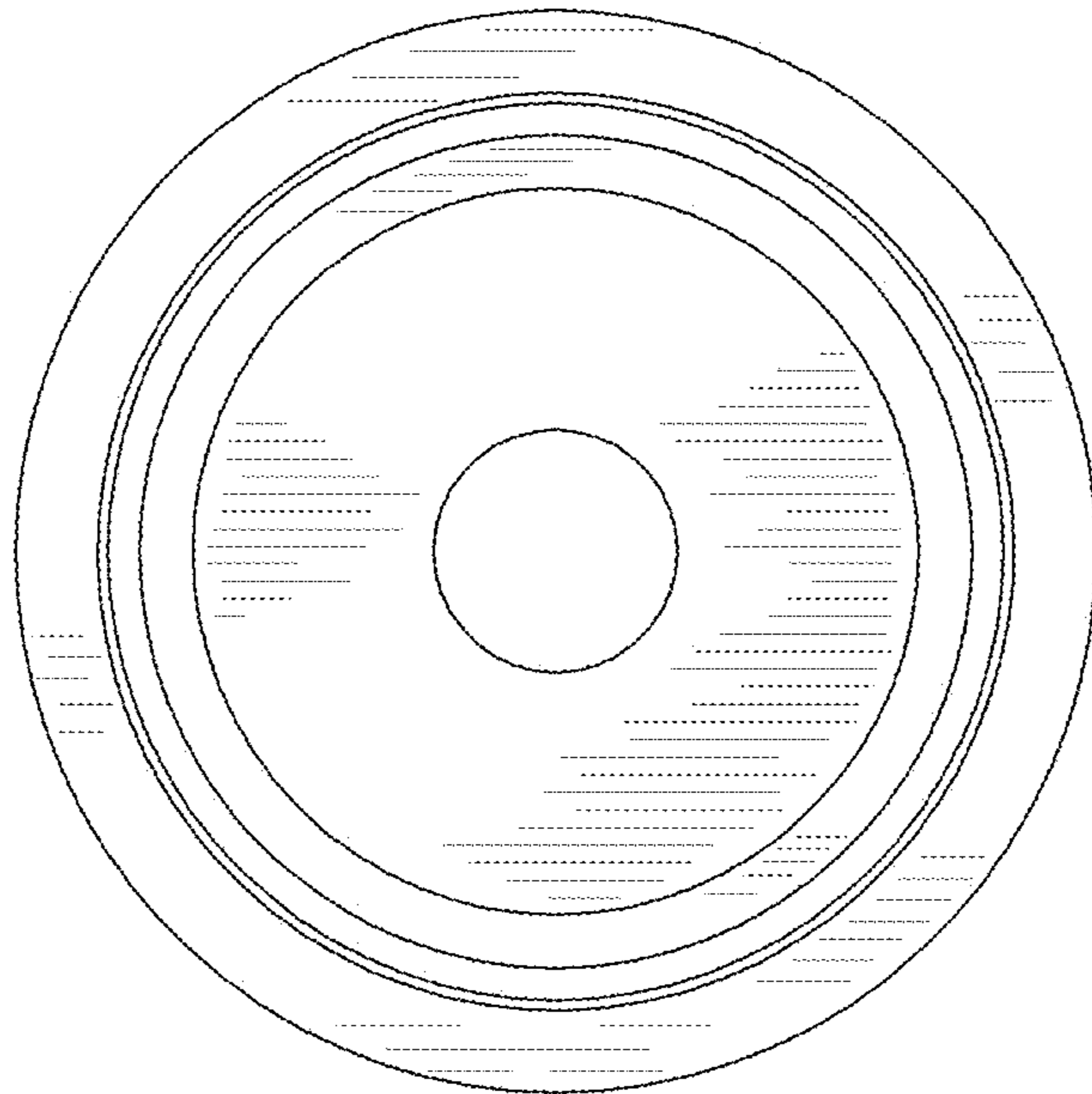


FIG. 8

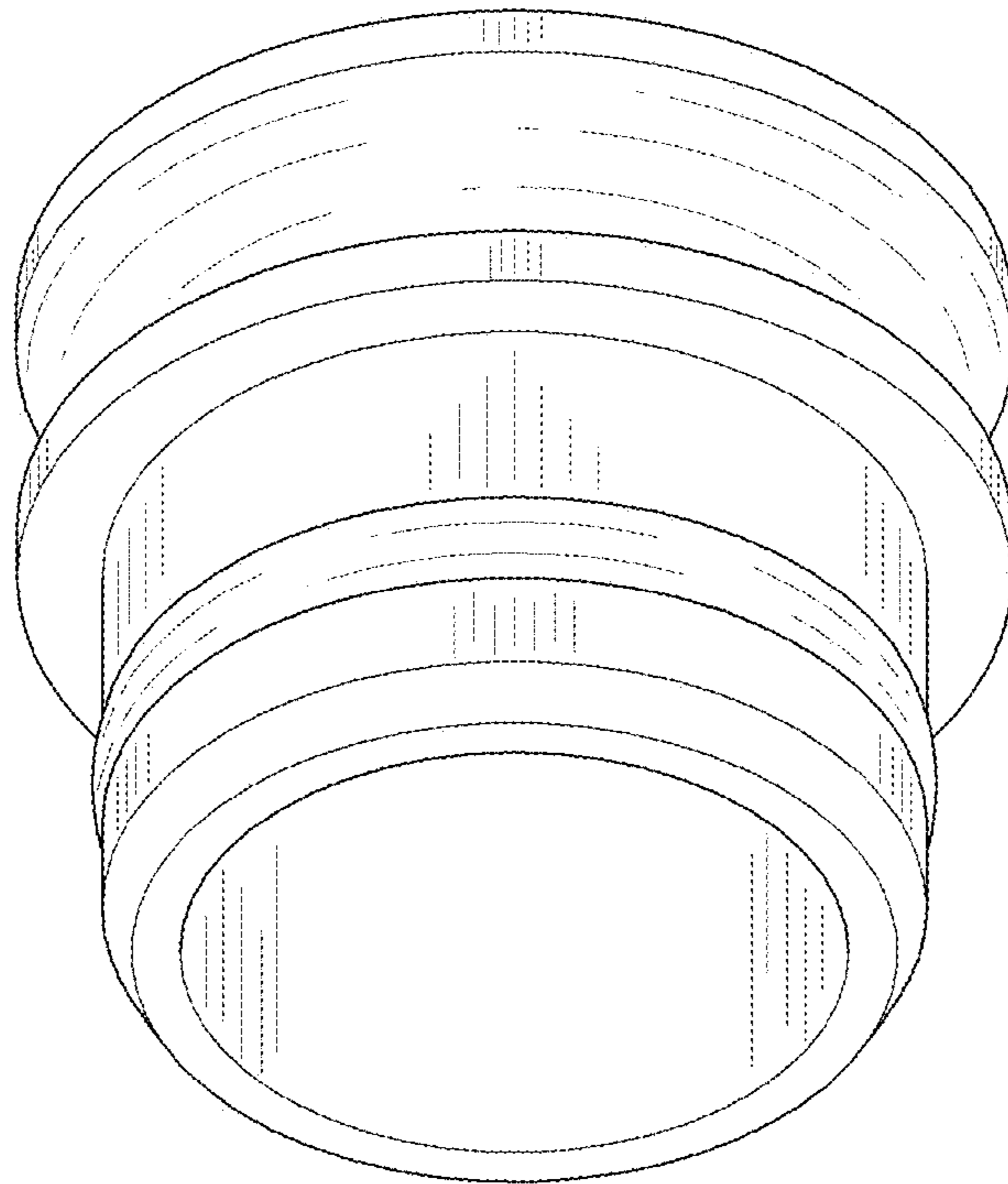


FIG. 9

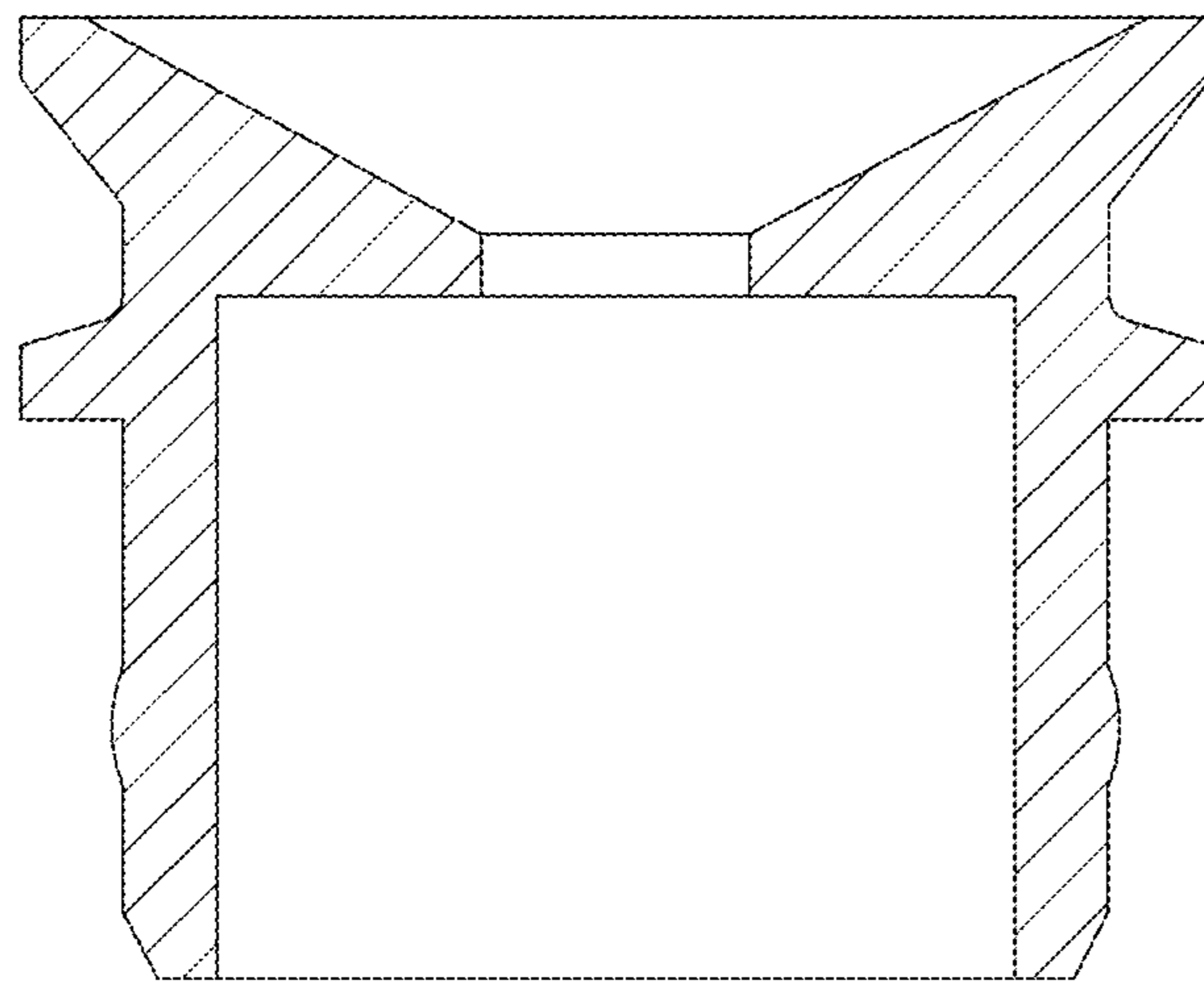


FIG. 10

