

US00D840819S

(12) **United States Design Patent** (10) **Patent No.:** **US D840,819 S**
Hudson et al. (45) **Date of Patent:** **** Feb. 19, 2019**

(54) **LID FOR A STORAGE CONTAINER**

(56) **References Cited**

(71) Applicant: **THE SHERWIN-WILLIAMS COMPANY**, Cleveland, OH (US)

U.S. PATENT DOCUMENTS

(72) Inventors: **Richard D. Hudson**, North Olmsted, OH (US); **James J. Johnson**, Akron, OH (US); **Gustavo A. Morales**, Brunswick, OH (US); **Edward Ray Goodwin, Jr.**, Westlake, OH (US); **Michael C. Lambertson, Jr.**, Aurora, OH (US); **Charles T. Buckel, Jr.**, Valley City, OH (US)

D248,370 S	7/1978	Beekenkamp	
D266,450 S	10/1982	Swett	
D268,810 S	5/1983	Hartung	
D269,303 S	6/1983	Goetz	
D321,317 S	11/1991	Sherman	
D333,065 S *	2/1993	Murphy	D7/391
D336,817 S *	6/1993	Wilcox, Jr.	D7/392
D340,189 S	10/1993	Fletcher	
D347,578 S *	6/1994	Curzon	D9/443
D355,365 S	2/1995	Charbonneau	
D367,201 S	2/1996	Joergensen	
D370,153 S	5/1996	Chaney	
5,549,216 A	8/1996	Scholl	
5,564,525 A	10/1996	Dunnegan	
D378,494 S	3/1997	Miller	

(73) Assignee: **The Sherwin-Williams Company**, Cleveland, OH (US)

(Continued)

(**) Term: **15 Years**

Primary Examiner — Ian Simmons

Assistant Examiner — Keith Frank

(21) Appl. No.: **29/630,792**

(74) *Attorney, Agent, or Firm* — Tucker Ellis LLP; Carlos Garritano

(22) Filed: **Dec. 22, 2017**

(57) **CLAIM**

The ornamental design for a lid of a storage container, as shown and described.

Related U.S. Application Data

DESCRIPTION

(63) Continuation of application No. 29/573,849, filed on Aug. 10, 2016, now Pat. No. Des. 815,534.

(51) **LOC (11) Cl.** **09-07**

(52) **U.S. Cl.**
USPC **D9/454**

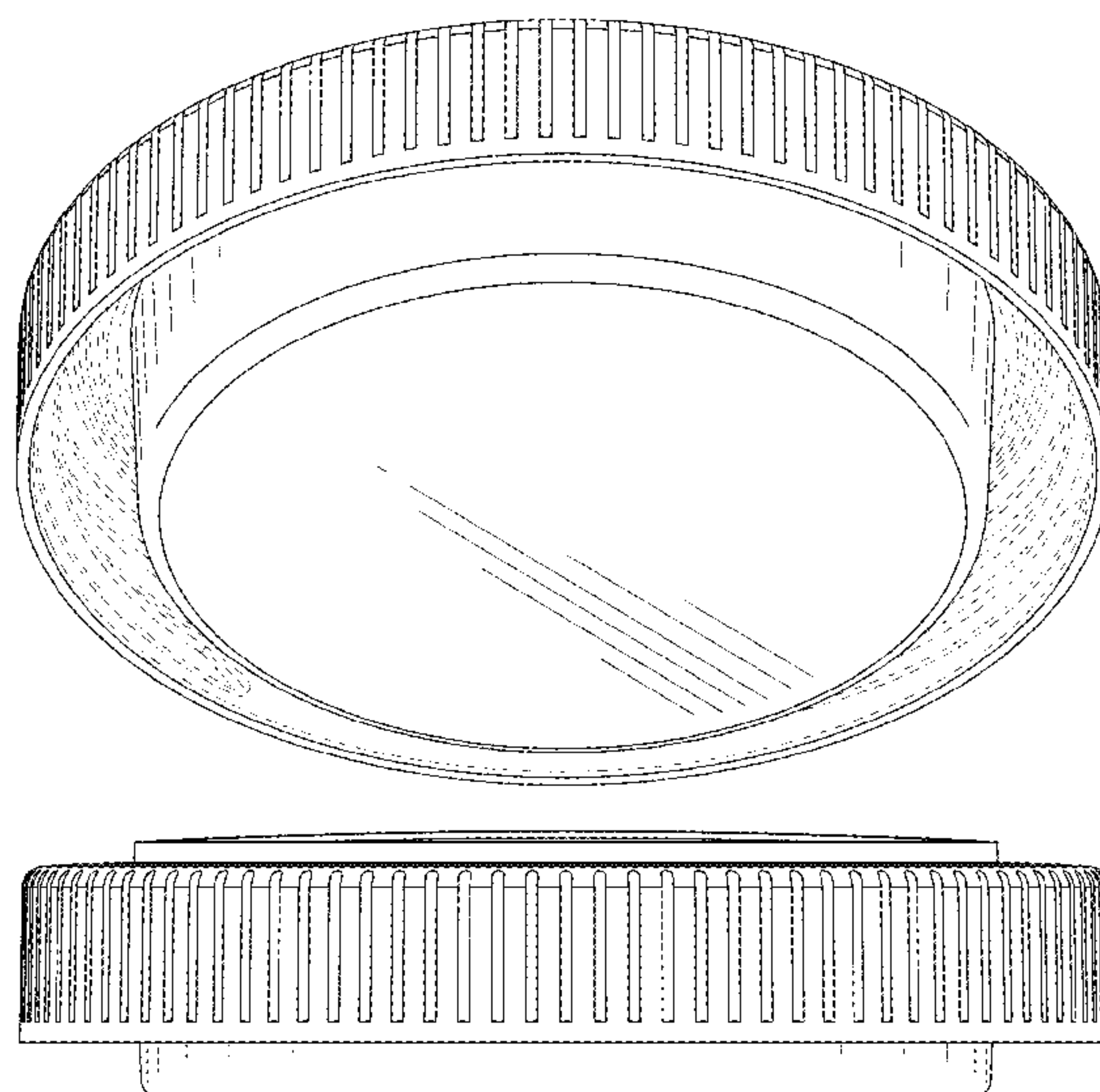
(58) **Field of Classification Search**
USPC D7/598, 600; D9/443, 454, 516, D9/522-524, 526-528, 530-533, 537, D9/540, 544, 545, 549, 575, 715, 719, D9/741-745; D32/53, 53.1, 54; D23/211, 211.1, 212
CPC B44D 3/12; B65D 25/32; B65D 21/0231; B65D 23/102; B65D 47/06

FIG. 1 is a top perspective view of a lid for a storage container showing our new design;
FIG. 2 is a bottom perspective view of the lid illustrated in FIG. 1;
FIG. 3 is front elevation view thereof;
FIG. 4 is a rear elevation view thereof;
FIG. 5 is a left side elevation view thereof;
FIG. 6 is a right side elevation view thereof;
FIG. 7 is a top plan view thereof; and,
FIG. 8 is a bottom plan view thereof.

The broken lines in the drawings showing the lid for the storage container illustrate the portions of the lid that form no part of the claimed design.

See application file for complete search history.

1 Claim, 5 Drawing Sheets



(56)

References Cited

U.S. PATENT DOCUMENTS

5,669,526 A 9/1997 Keyfauver
 5,727,708 A 3/1998 Erickson
 D394,184 S * 5/1998 Demore D7/391
 D398,663 S 9/1998 Freelanders
 5,855,304 A 1/1999 Dean
 D458,514 S 6/2002 Dorion
 D460,845 S 7/2002 Bergman
 D479,802 S * 9/2003 Arduini D9/505
 6,708,838 B2 3/2004 Bergman
 D505,076 S 5/2005 Logan
 D550,090 S 9/2007 Meeker
 D563,229 S 3/2008 Dowel
 D608,195 S * 1/2010 Germann D9/443
 D610,856 S 3/2010 Hoffman
 7,703,641 B2 4/2010 Bravo
 D615,860 S * 5/2010 Cero, Jr. D9/443
 D623,954 S 9/2010 Hawry
 D630,475 S * 1/2011 Lu D7/629
 D643,694 S * 8/2011 Lu D7/629

D653,548 S 2/2012 Wycoff
 D652,305 S 7/2012 Yourist
 D680,431 S * 4/2013 Hopkins D9/443
 D684,813 S * 6/2013 Eyal D7/392
 D691,052 S 10/2013 Minghetti
 D708,009 S * 7/2014 Gillette D7/378
 D708,010 S * 7/2014 Gillette D7/378
 D712,740 S * 9/2014 Antal D9/435
 D715,590 S * 10/2014 Mangano D7/354
 D728,298 S 5/2015 Ma
 D731,472 S 6/2015 Cain
 D739,233 S * 9/2015 Antal, Sr. D9/435
 D742,065 S * 10/2015 Leidel D27/167
 D742,241 S * 11/2015 Shell-Schnitzer D9/443
 D749,948 S 2/2016 Groglopo Favetto
 D751,913 S 3/2016 Seecof
 9,290,310 B2 3/2016 Sinn
 D758,859 S * 6/2016 Sorensen D7/393
 D795,008 S * 8/2017 Eyal D7/392.1
 D803,138 S * 11/2017 Fretz D12/213
 D806,543 S * 1/2018 Finkbohner D9/443
 2007/0187413 A1 8/2007 Gruskin

* cited by examiner

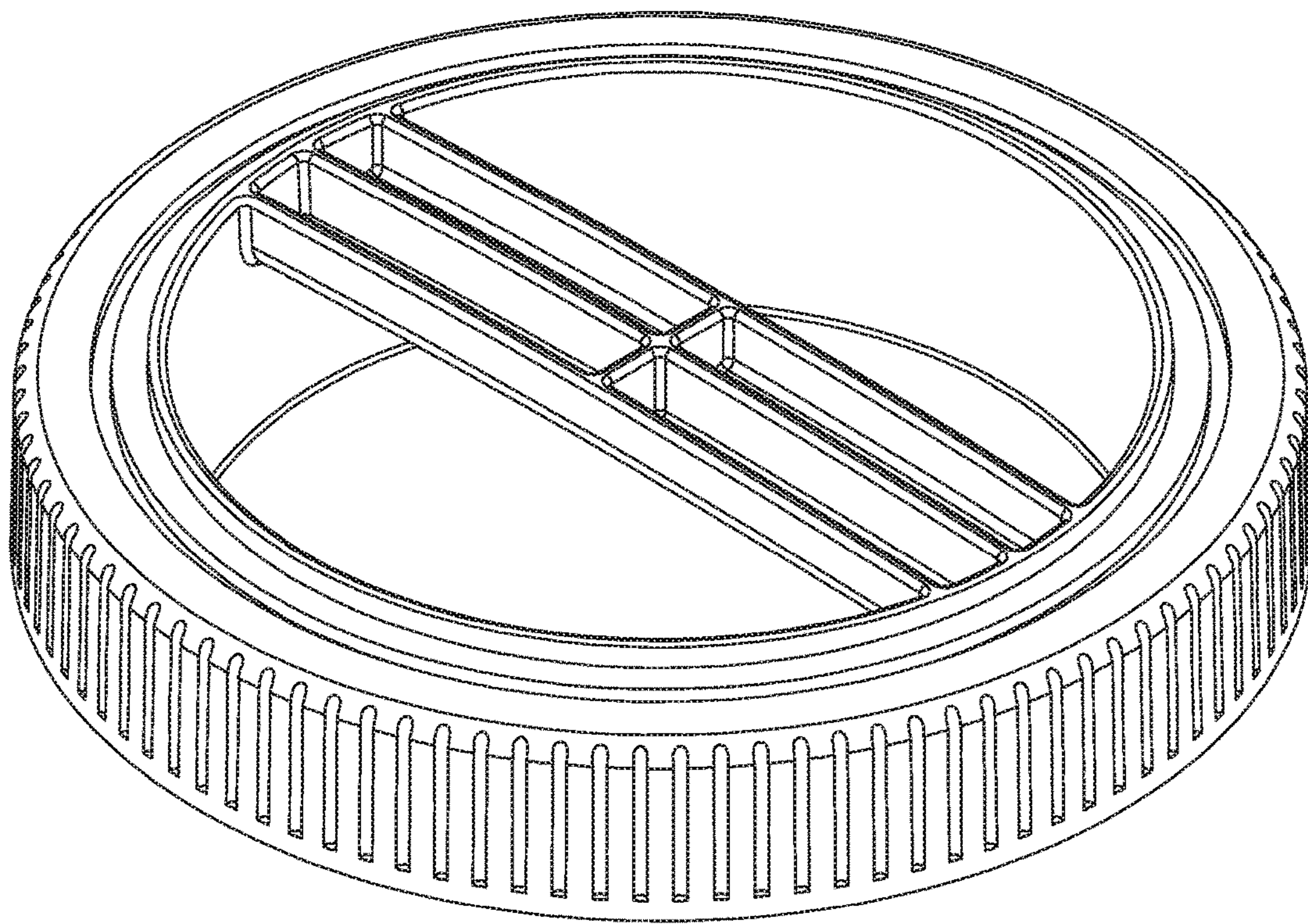


FIG. 1

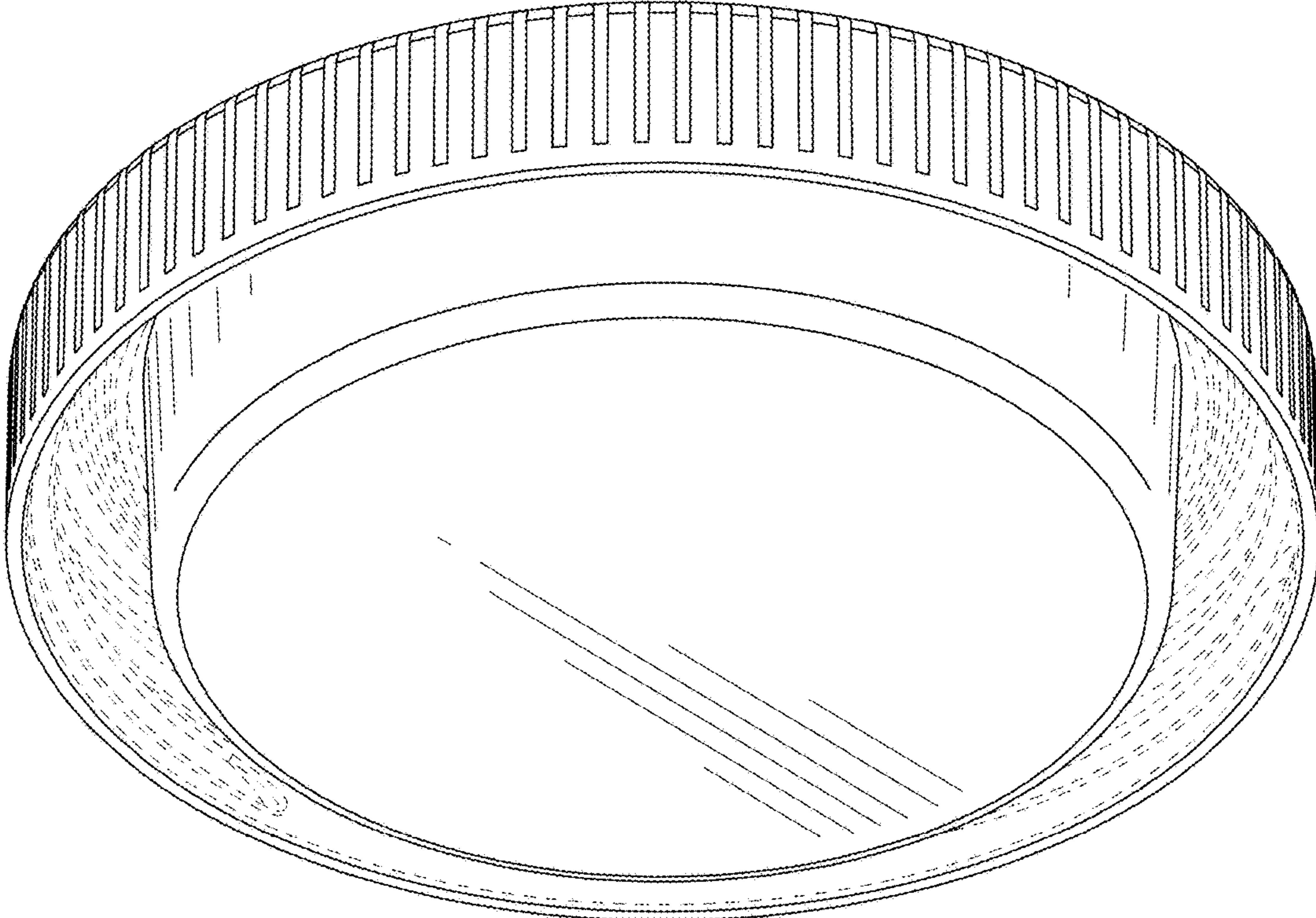


FIG. 2

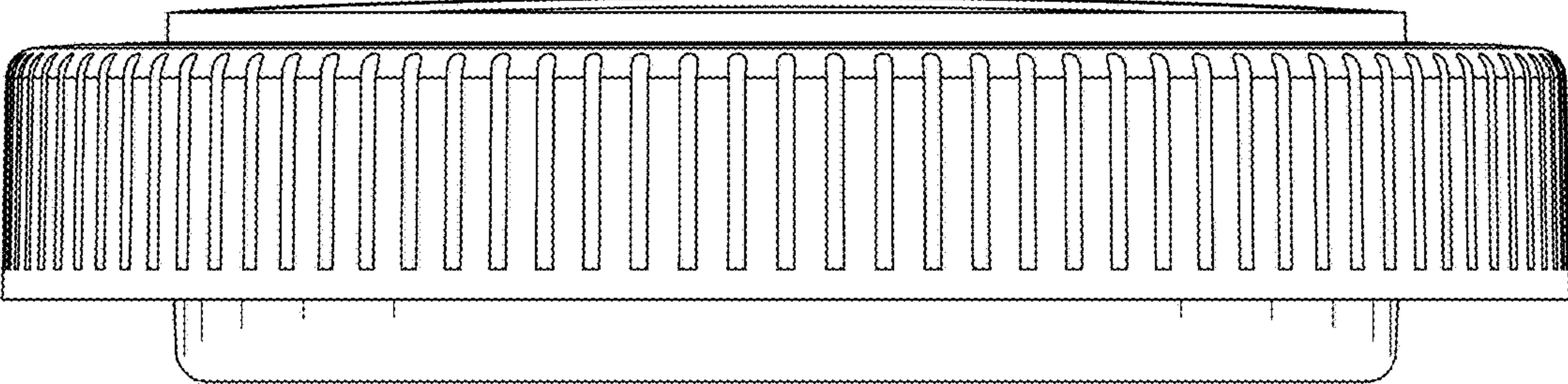


FIG. 3

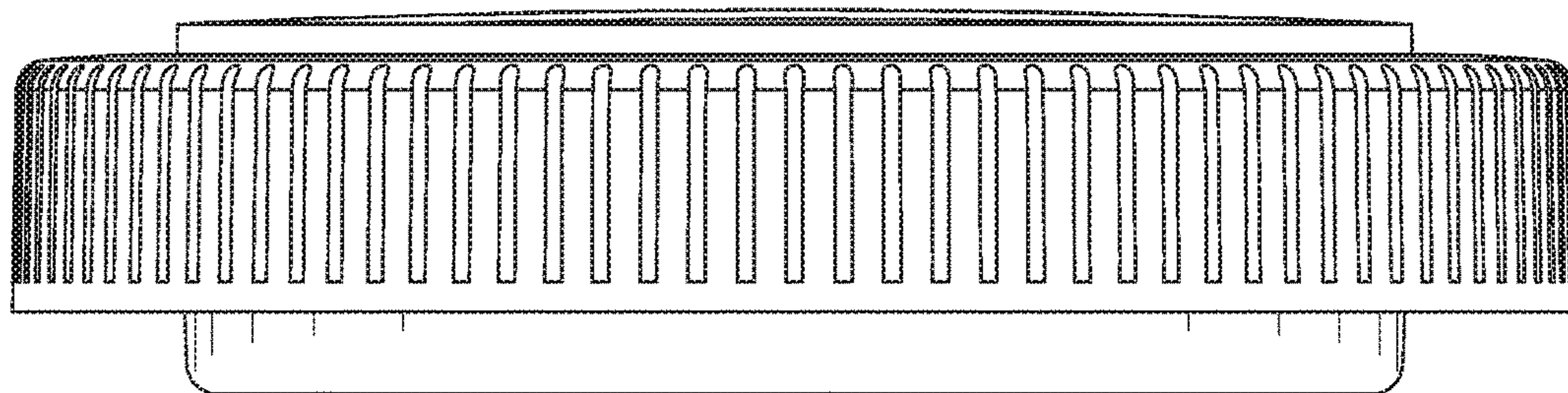


FIG. 4

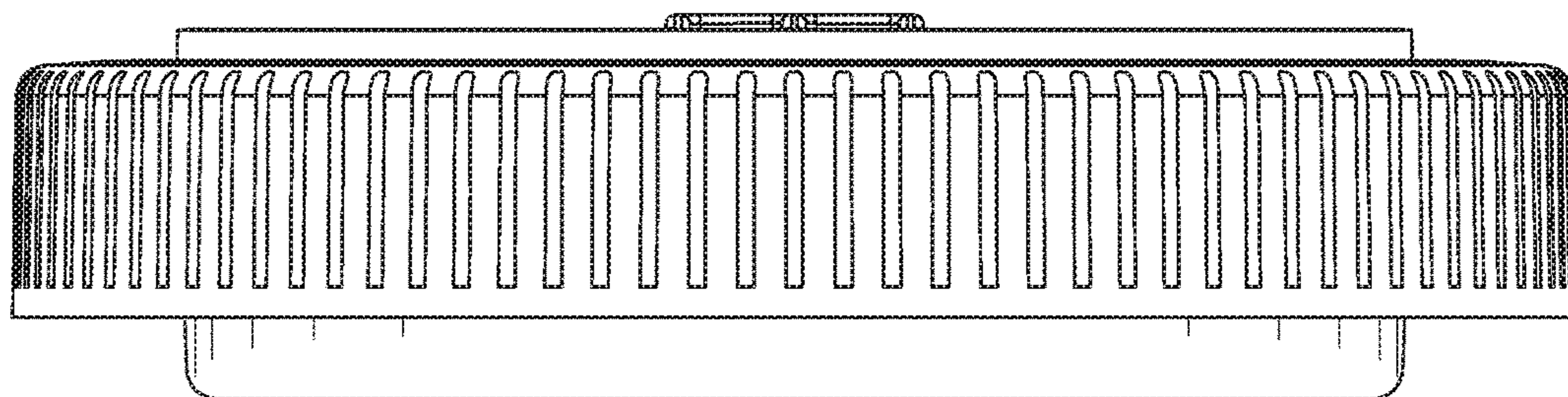


FIG. 5

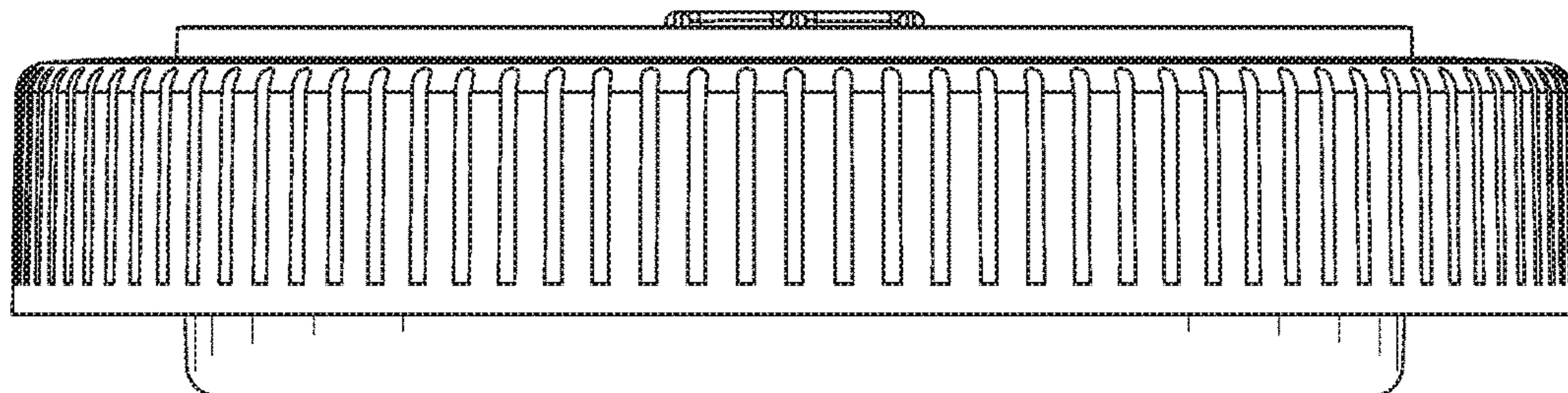


FIG. 6

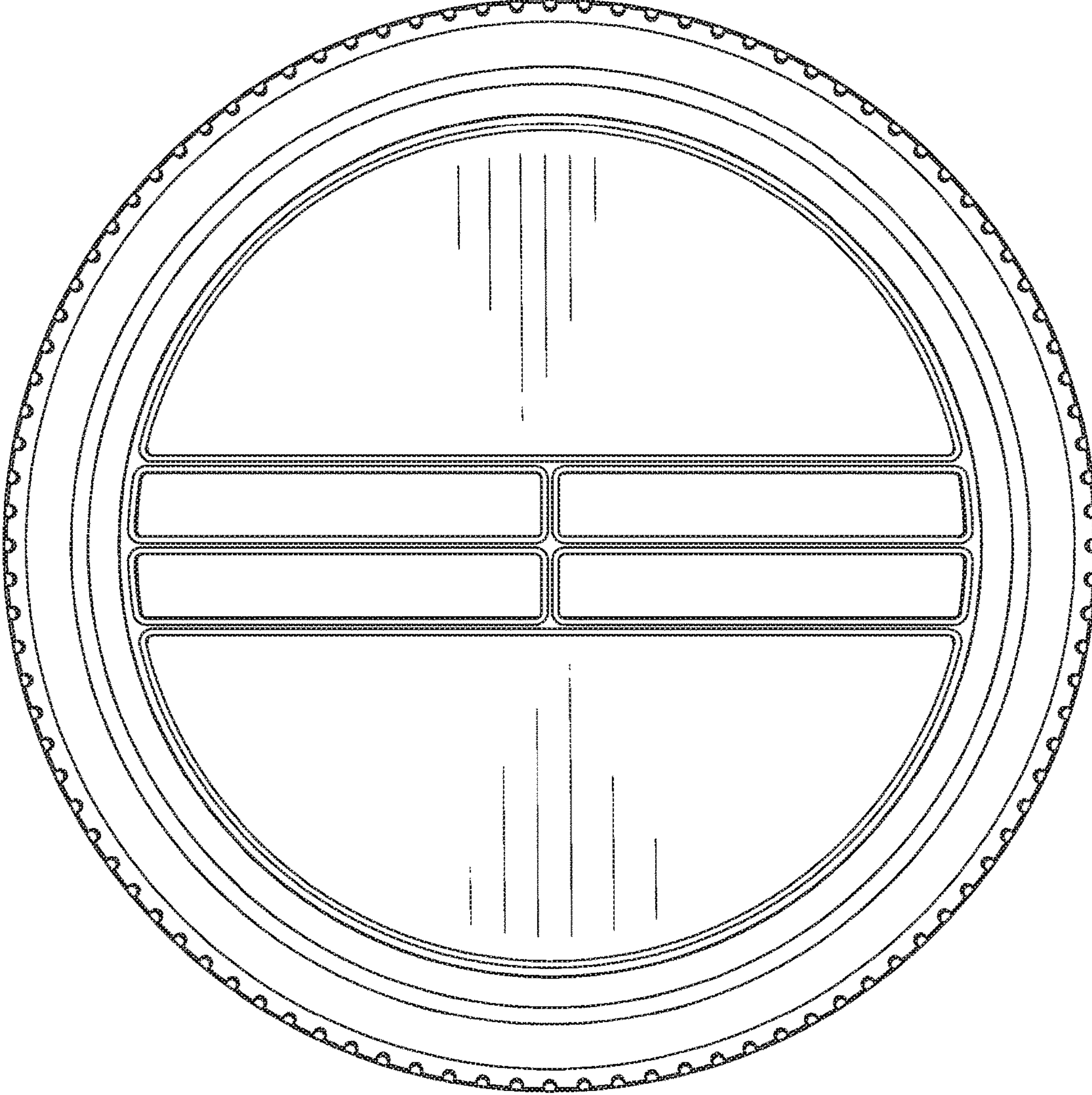


FIG. 7

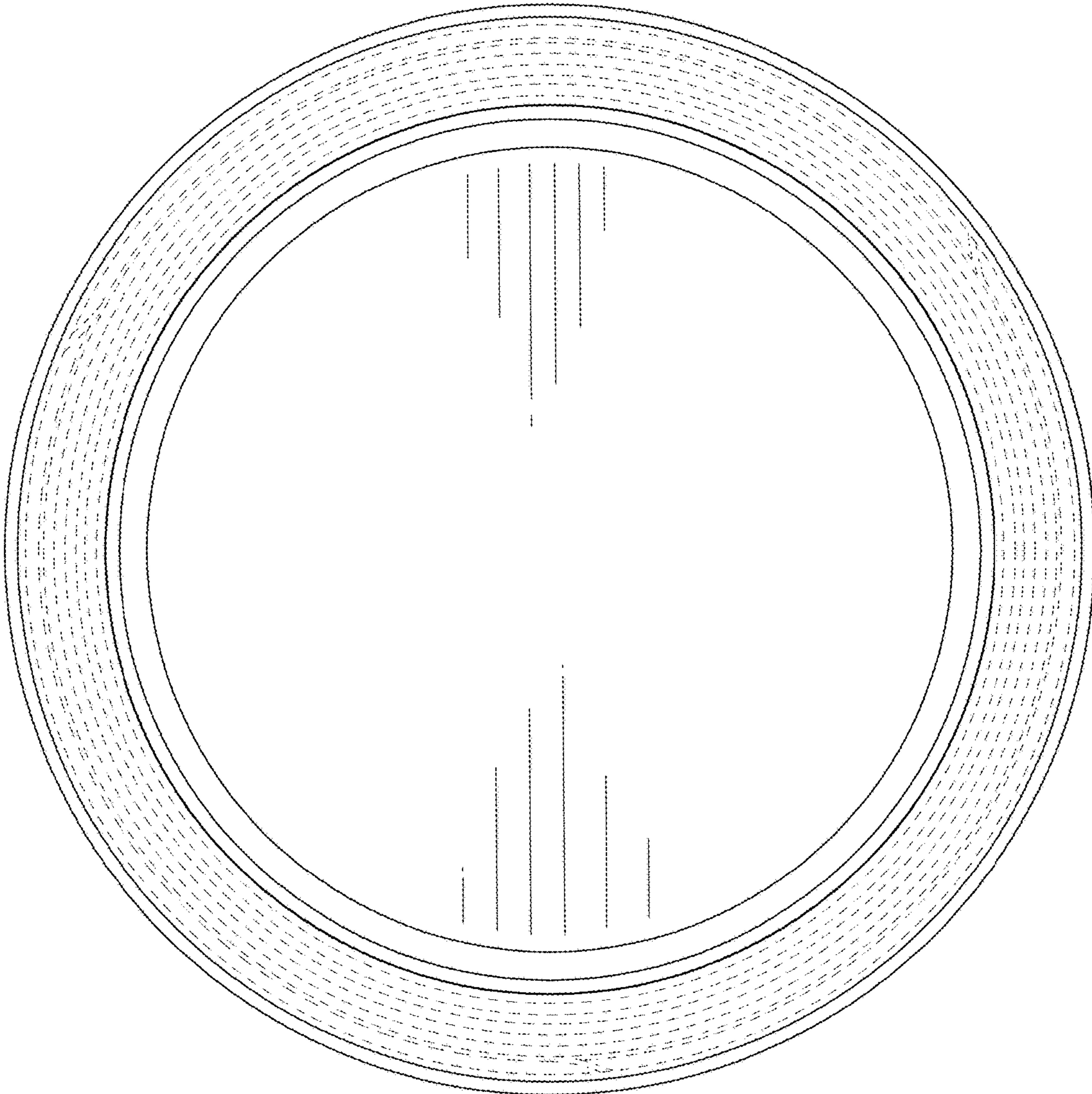


FIG. 8