



US00D840818S

(12) **United States Design Patent**
Zheng

(10) **Patent No.:** **US D840,818 S**

(45) **Date of Patent:** **** Feb. 19, 2019**

(54) **CONTAINER LID**

(71) Applicant: **Yiguang Zheng**, Shantou (CN)

(72) Inventor: **Yiguang Zheng**, Shantou (CN)

(**) Term: **15 Years**

(21) Appl. No.: **29/606,955**

(22) Filed: **Jun. 8, 2017**

(30) **Foreign Application Priority Data**

Dec. 8, 2016 (CN) 2016 3 0601931

(51) **LOC (11) Cl.** **09-07**

(52) **U.S. Cl.**

USPC **D9/453**

(58) **Field of Classification Search**

USPC D3/202; D7/392, 392.1, 396.2, 511, 601,
D7/602, 619.1, 620-622; D9/434-436,
D9/438, 440, 443, 447, 452-454, 499;
D8/382, 384, 385, 387, 394, 396-399;
D21/498-500, 504, 505; D23/262, 264,
D23/269, 390

CPC B65D 41/34; B65D 41/3438;
B65D 41/0471; B65D 47/12; B65D
47/122; B65D 51/1688; B65D 7/06;
B65D 79/02; B65D 41/0485; B65D
51/243

See application file for complete search history.

(56) **References Cited**

U.S. PATENT DOCUMENTS

D317,261 S * 6/1991 Brown D9/782
5,281,878 A * 1/1994 Schaeffer H02K 7/14
310/87
D424,378 S * 5/2000 Bacon D7/602
D518,714 S * 4/2006 Hierzer D9/435
D564,350 S * 3/2008 Zahrobsky D9/434
D579,332 S * 10/2008 Krivoshein D9/443
D586,454 S * 2/2009 Nishio D23/393

D631,346 S * 1/2011 Schwartz D9/443
D631,751 S * 2/2011 Fox D9/520
D682,098 S * 5/2013 Murray D9/443
D695,620 S * 12/2013 Karekar D9/529
D711,744 S * 8/2014 Humm D9/447
D721,271 S * 1/2015 Fabiszewski D9/438
D726,008 S * 4/2015 Buxton-Dakides D9/436
D746,690 S * 1/2016 Cook D9/449
D775,952 S * 1/2017 Kim D9/452
D801,181 S * 10/2017 Koh D9/529

OTHER PUBLICATIONS

Money Saving Mom. Do-It-Yourself Reusable Baby Food Pouches.
Dec. 10, 2013 [earliest online date], [site visited Feb. 1, 2018].
Available from Internet, <URL:http://moneysavingmom.com/2013/
12/diy-reusable-baby-food-pouches.html>. (Year: 2013).*

* cited by examiner

Primary Examiner — George D. Kirschbaum

Assistant Examiner — Darcey E Heflin

(74) *Attorney, Agent, or Firm* — Gokalp Bayramoglu

(57)

CLAIM

The ornamental design for container lid, as shown and described.

DESCRIPTION

FIG. 1 is a front elevational view of a container lid showing my new design;

FIG. 2 is a rear elevational view thereof;

FIG. 3 is a left side view thereof;

FIG. 4 is a right side view thereof;

FIG. 5 is a top plan view thereof;

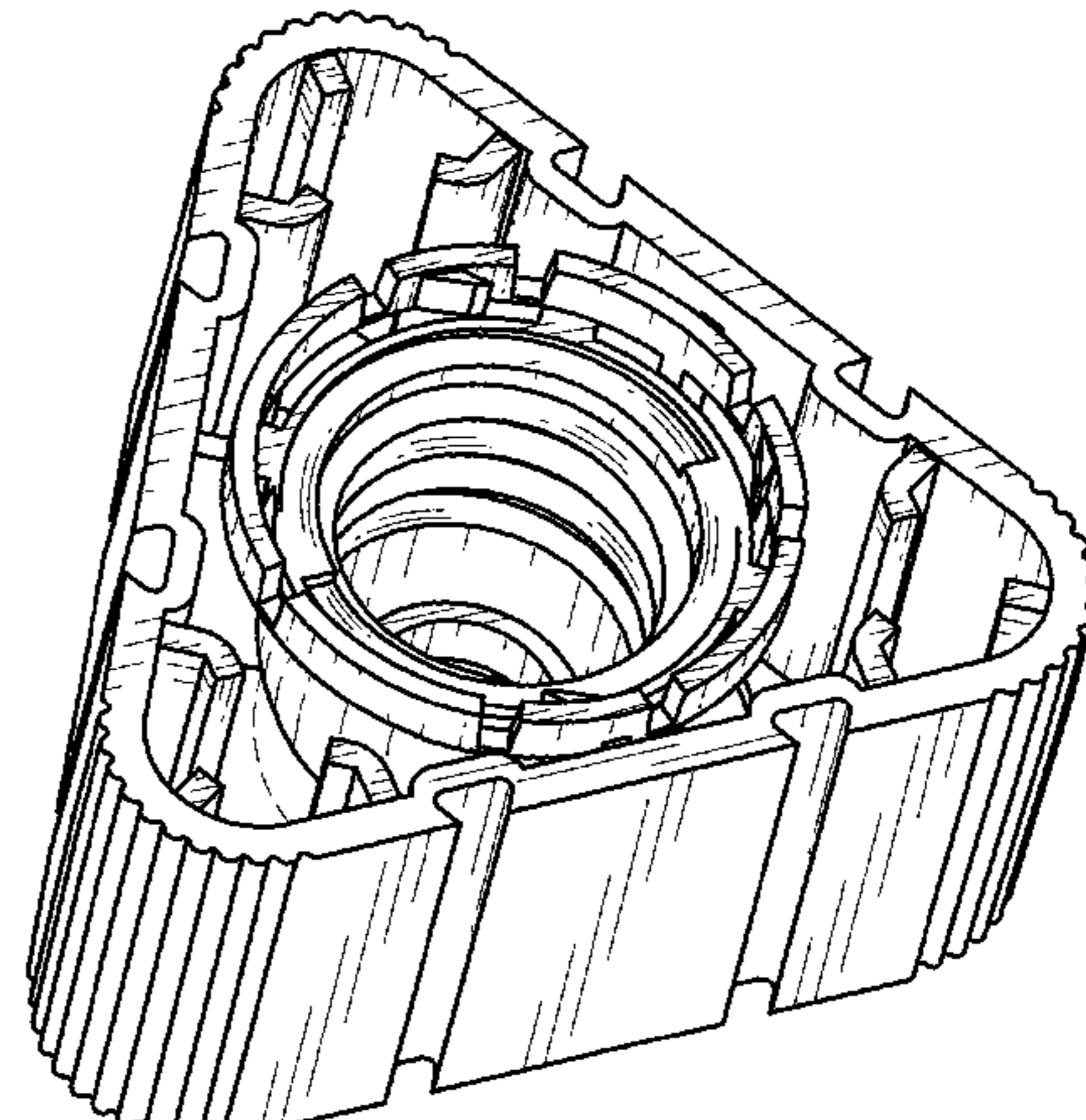
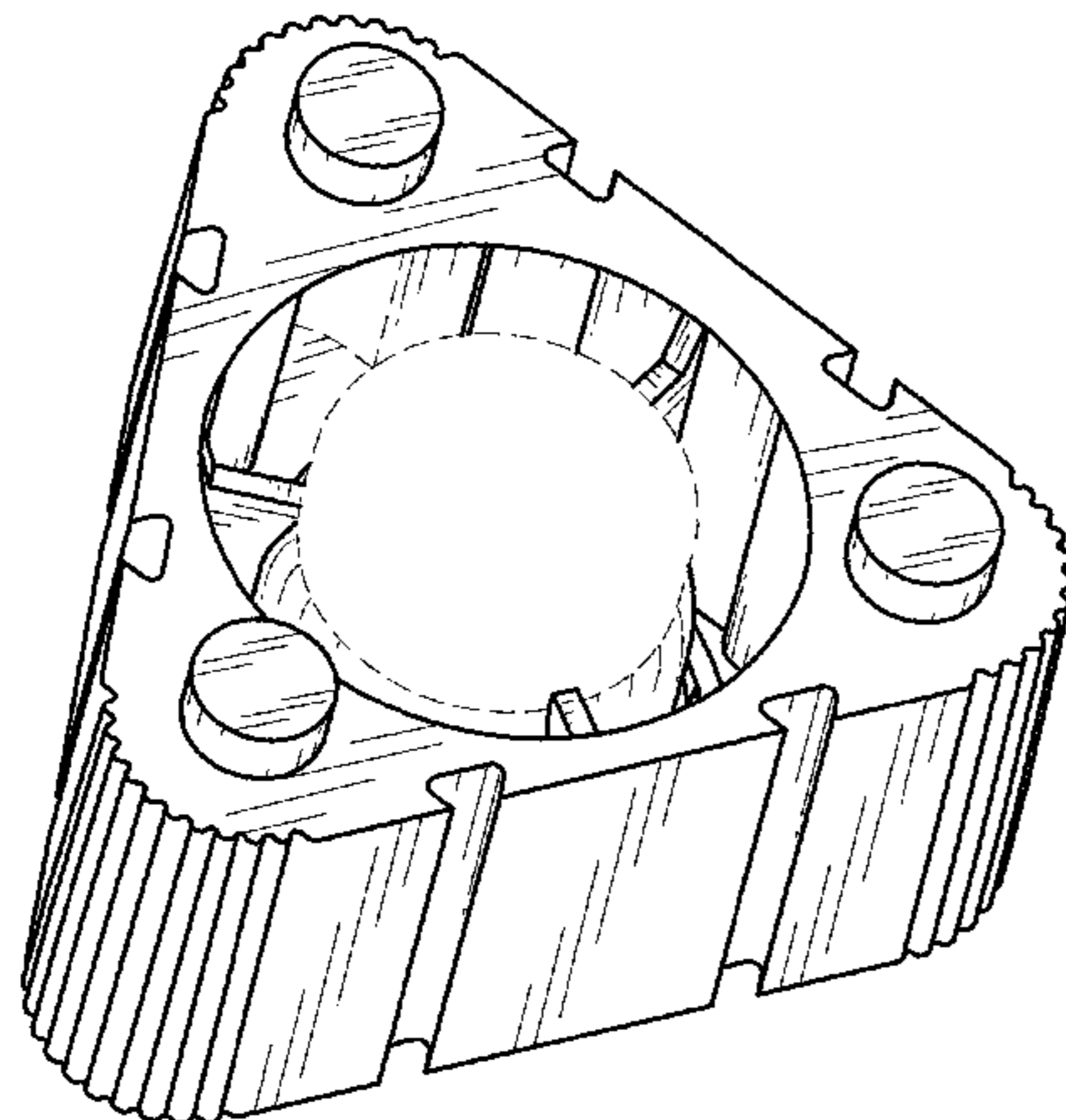
FIG. 6 is a bottom plan view thereof;

FIG. 7 is a perspective view thereof; and,

FIG. 8 is another perspective view thereof.

The broken lines depict portions of the container lid that form no part of the claimed design.

1 Claim, 8 Drawing Sheets



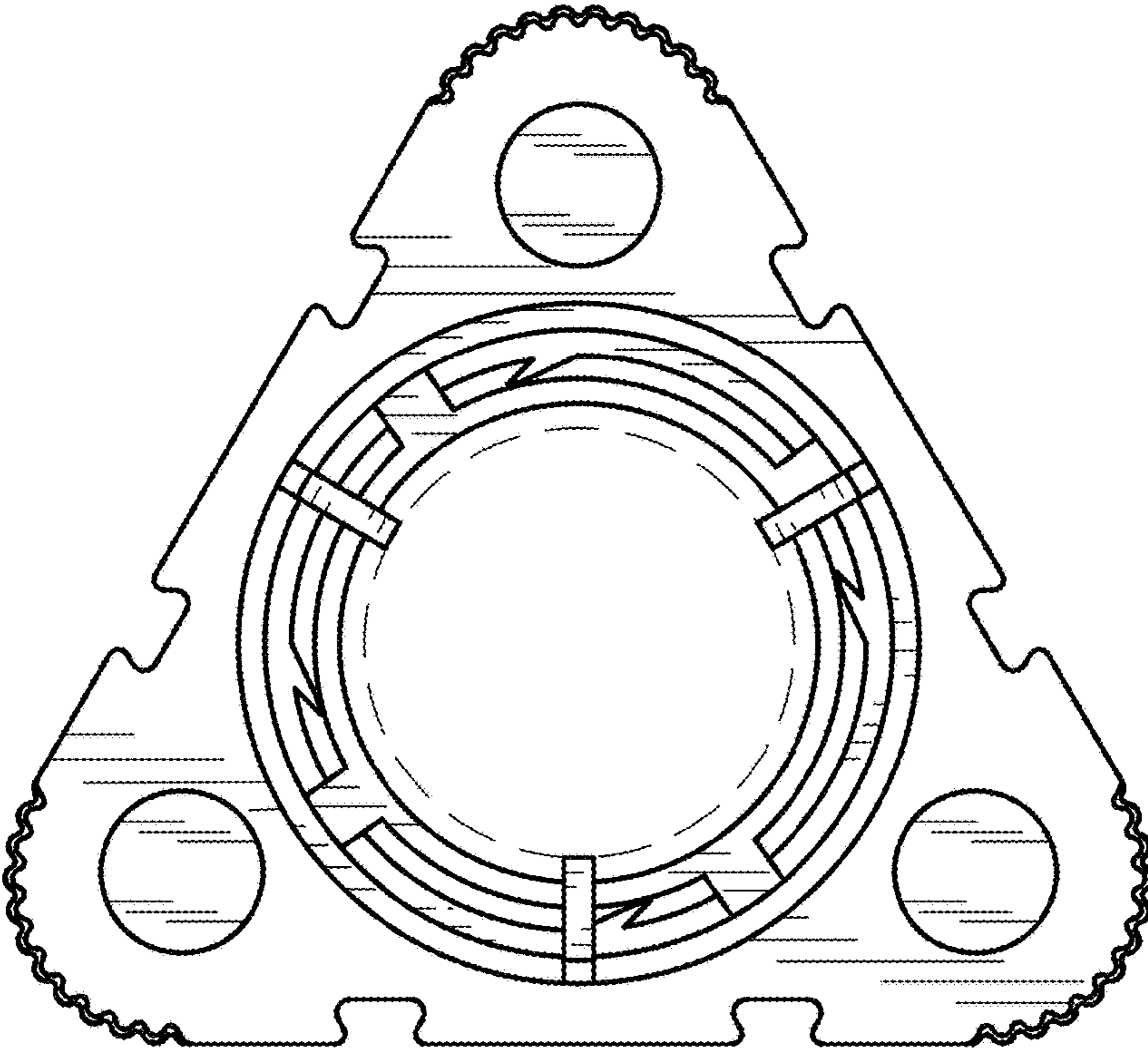


FIG. 1

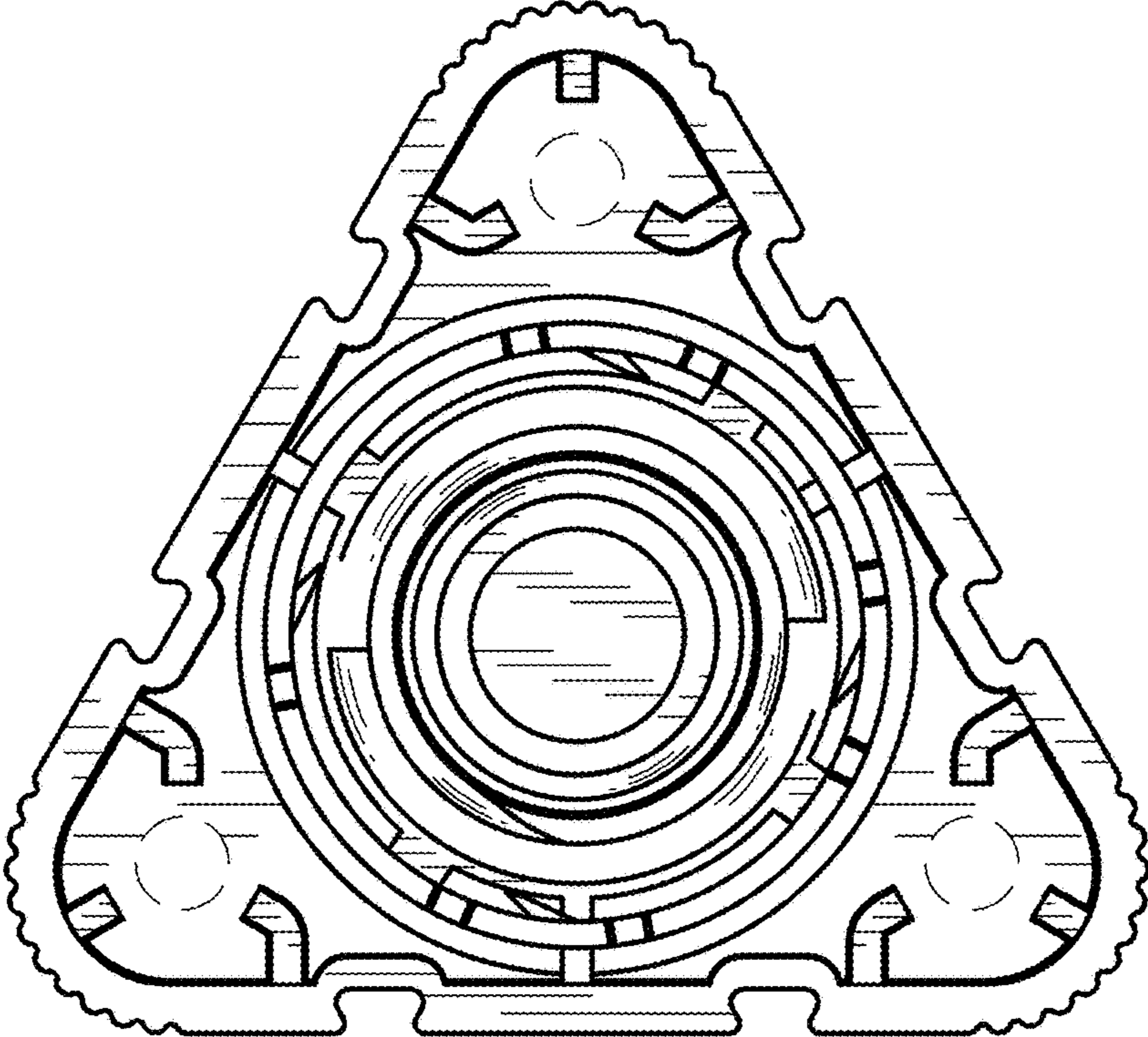


FIG. 2

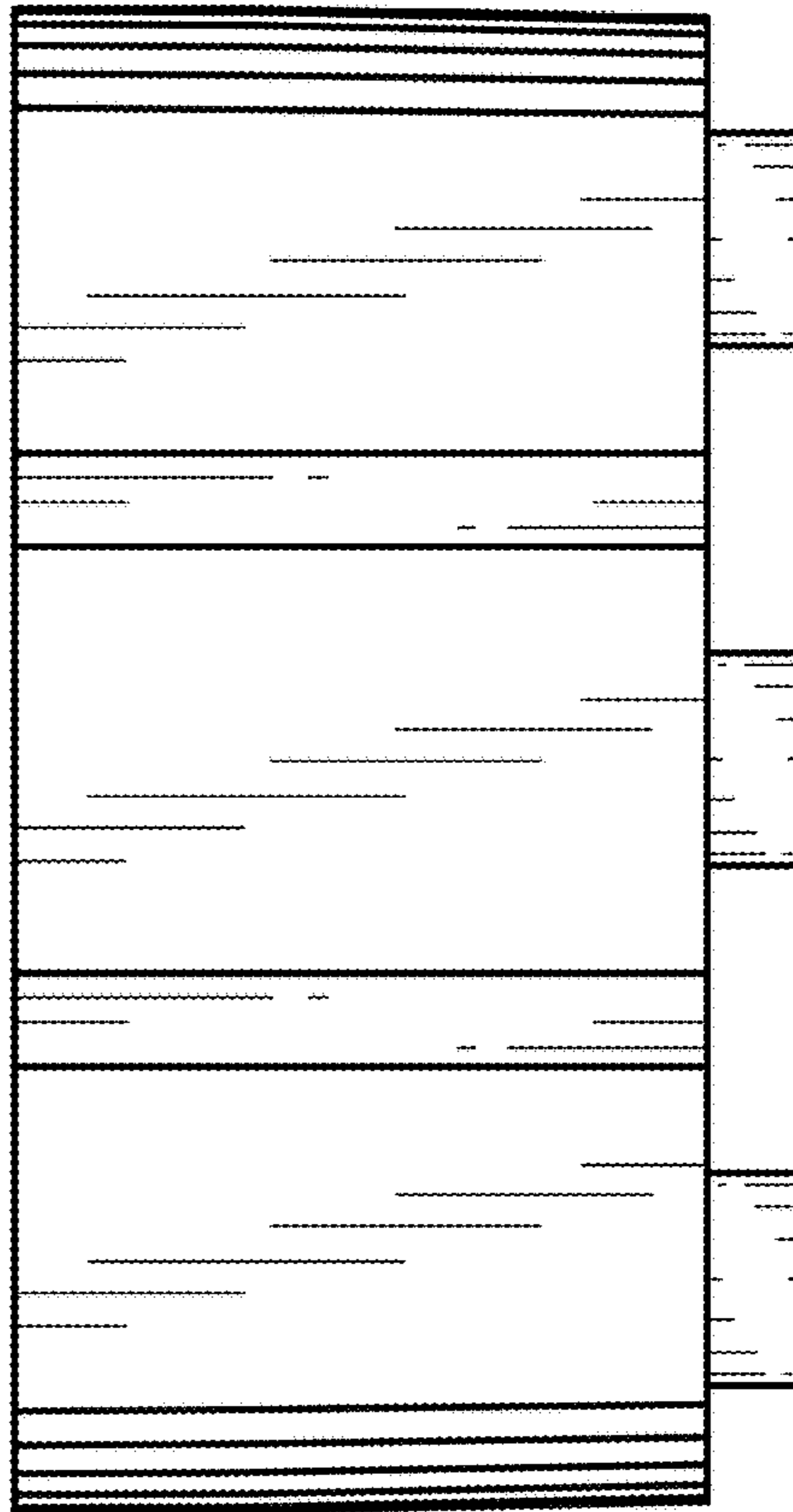


FIG. 3

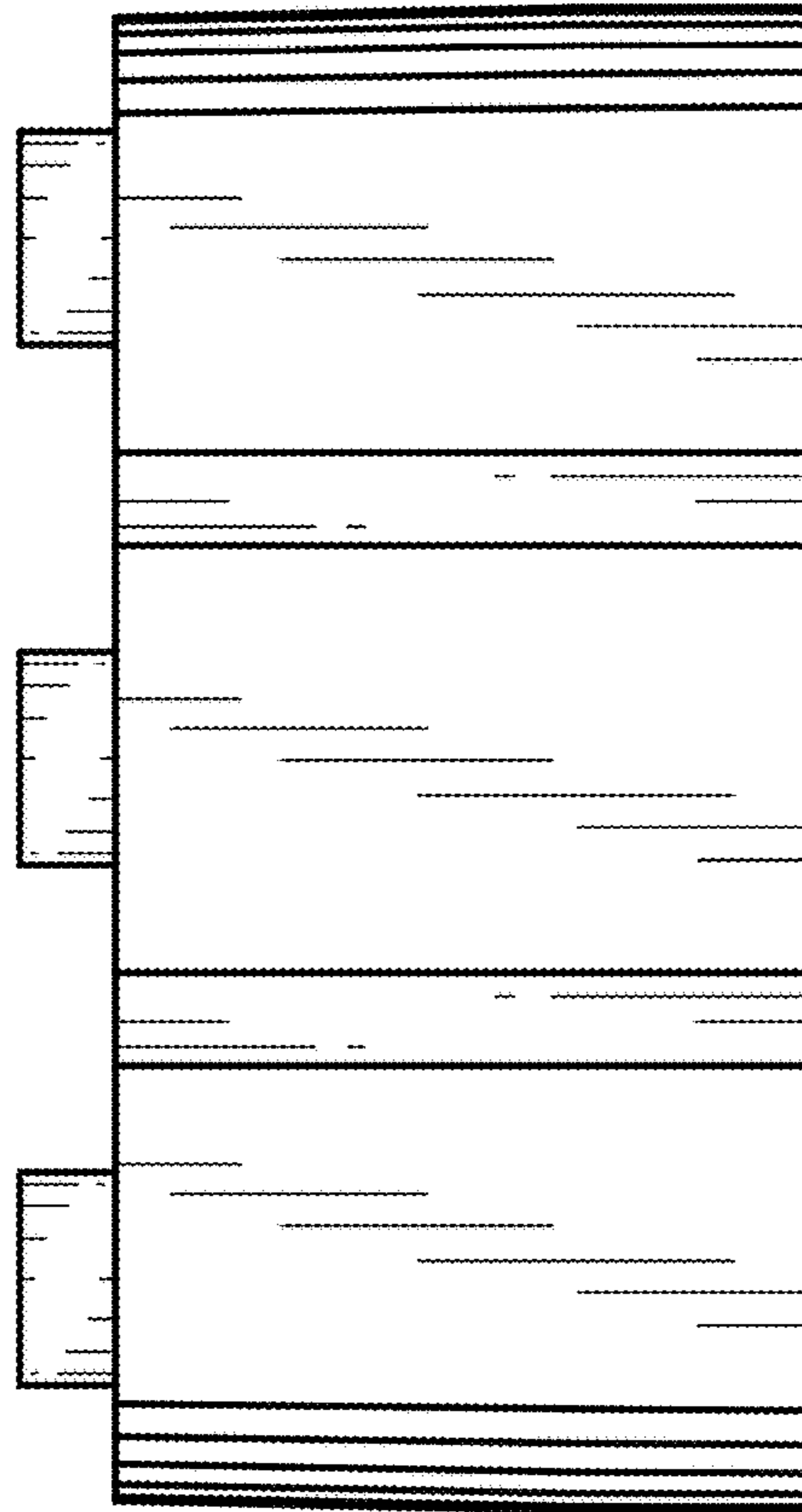


FIG. 4

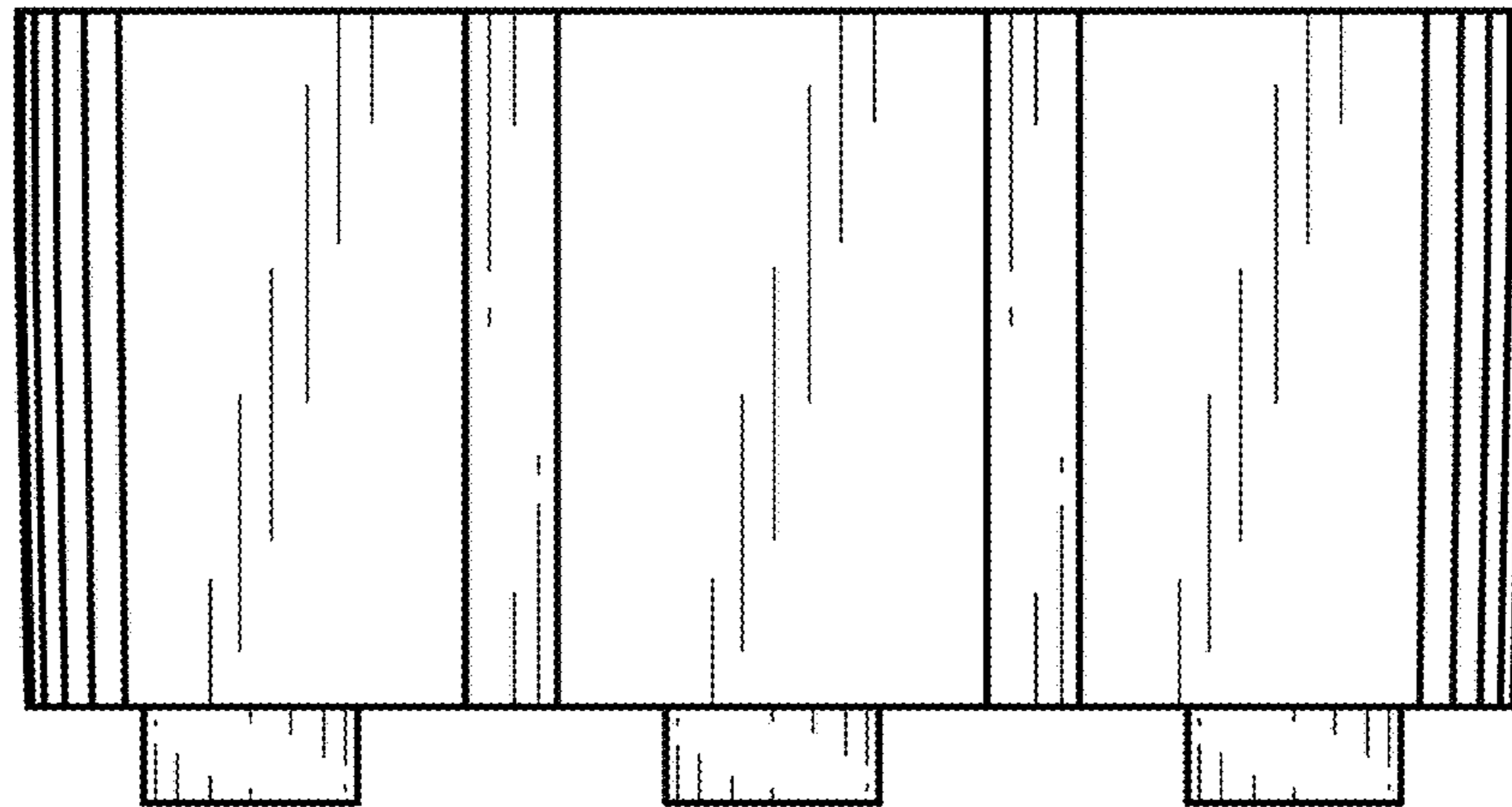


FIG. 5

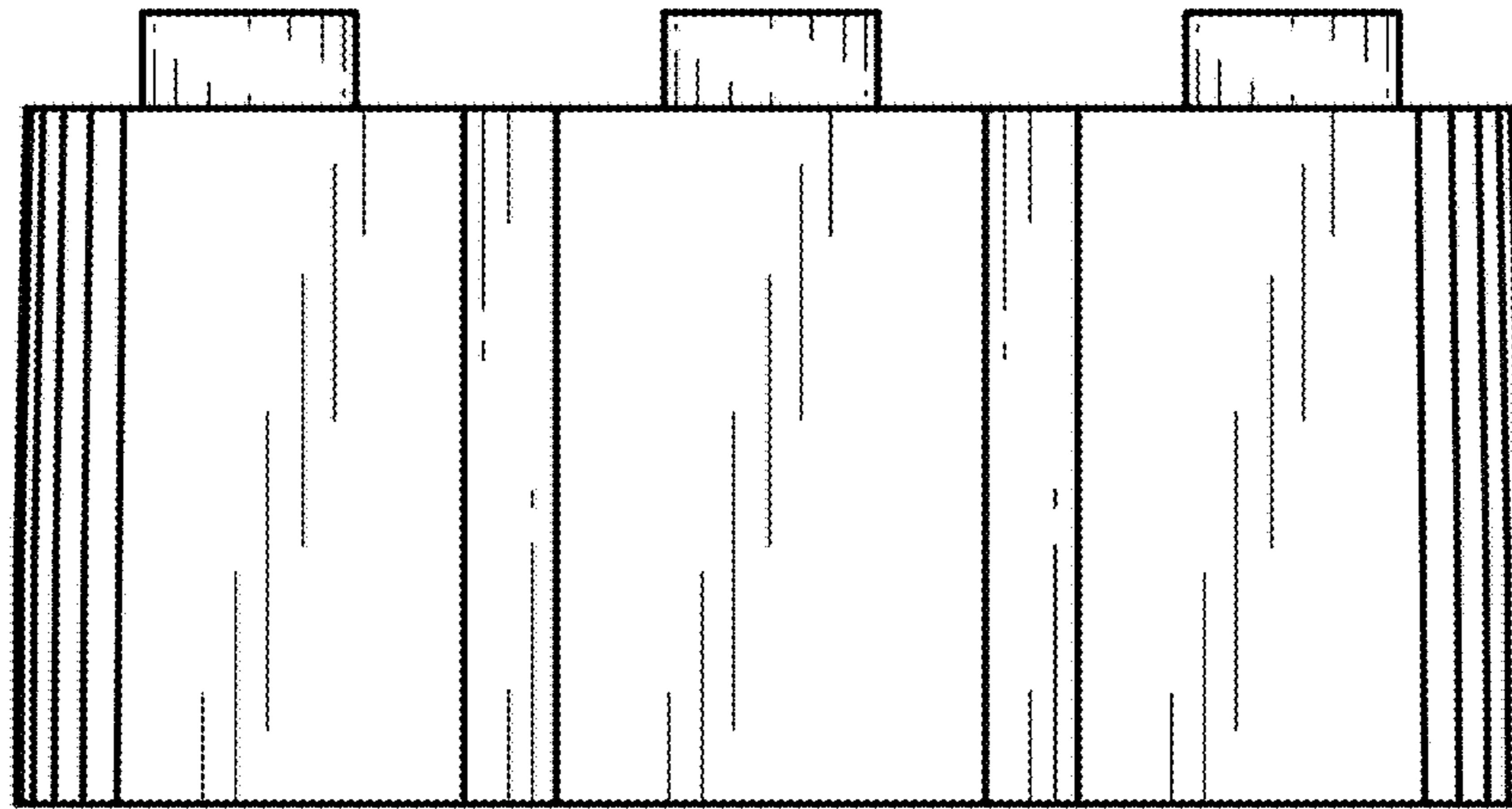


FIG. 6

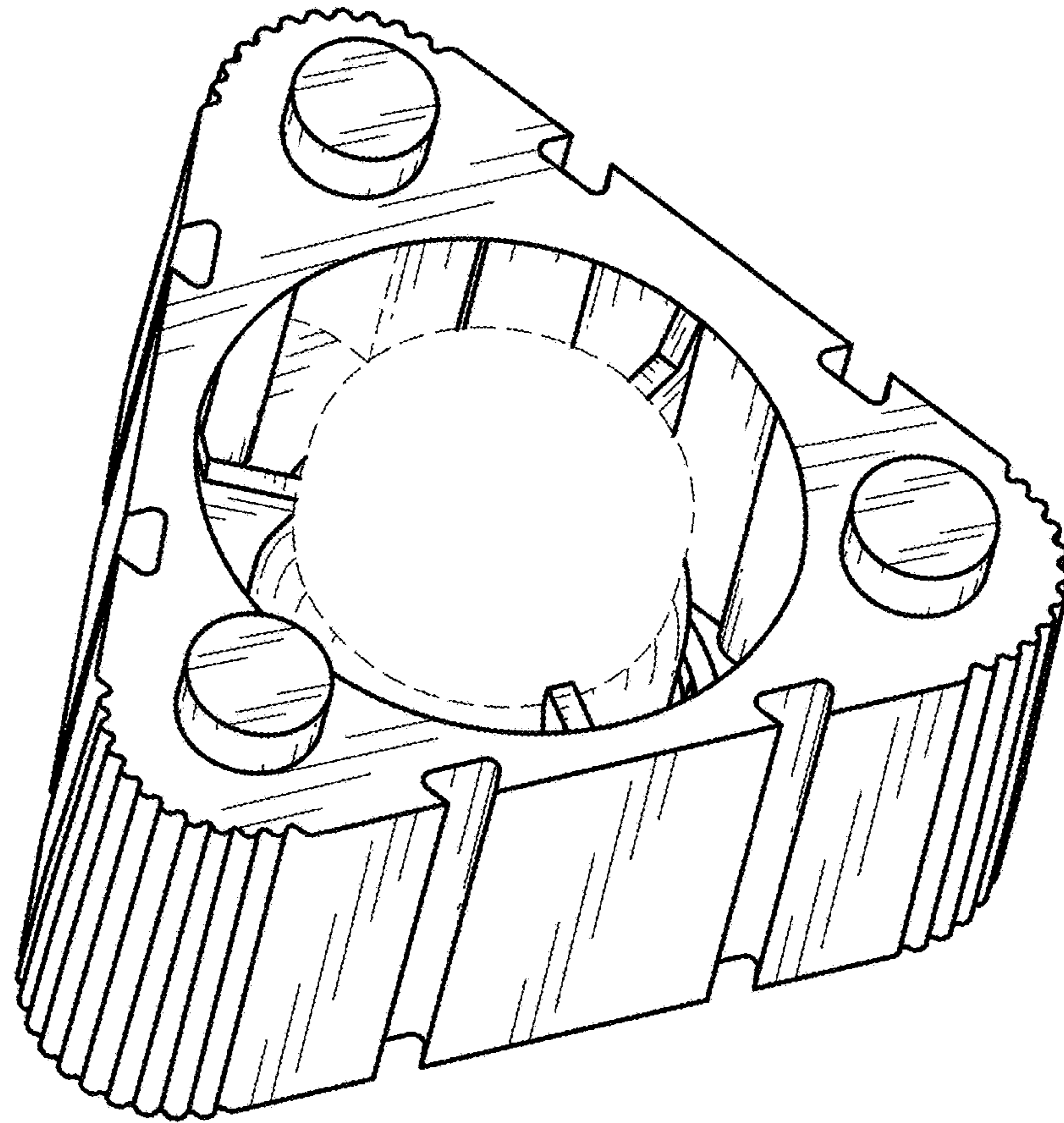


FIG. 7

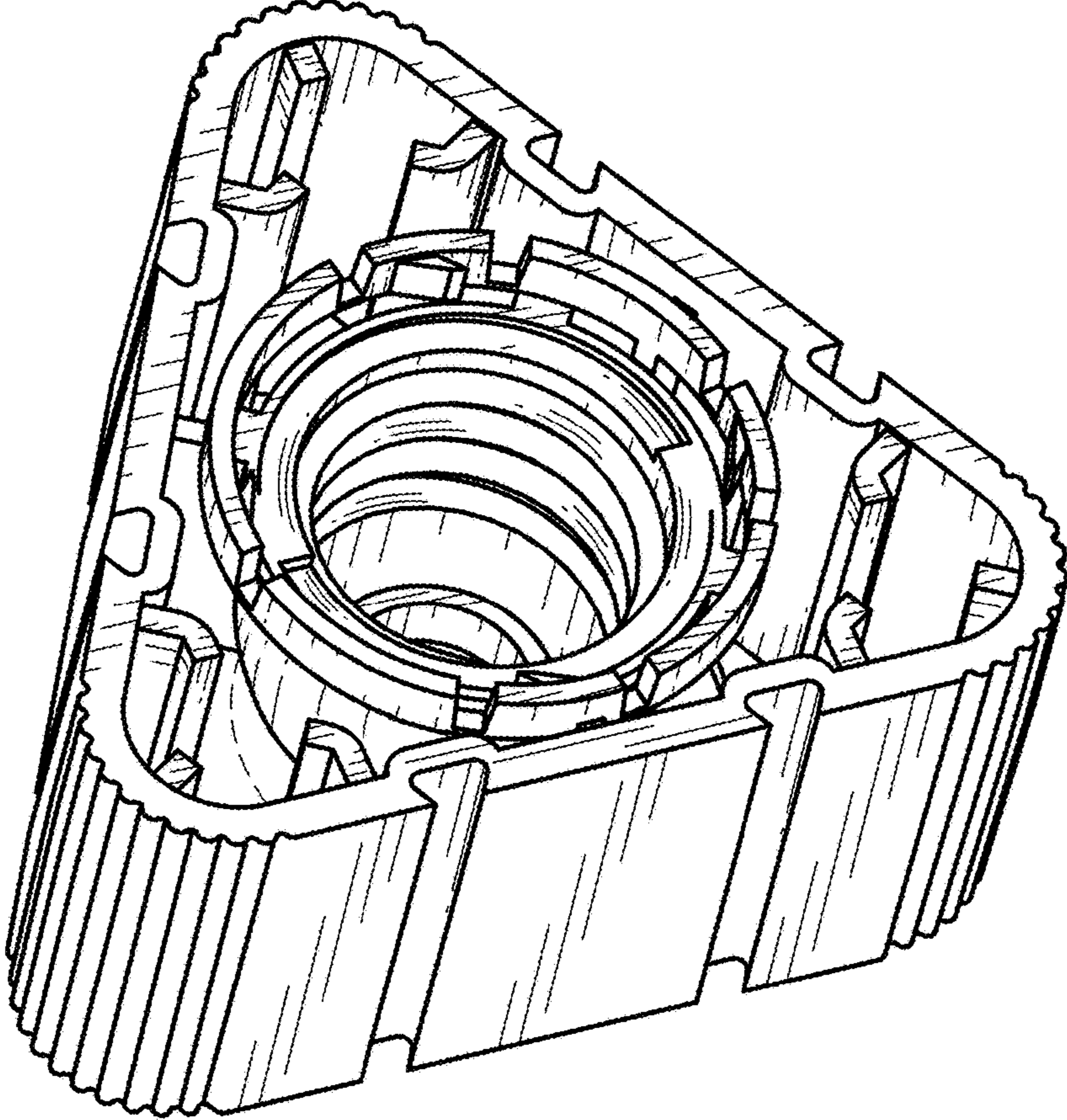


FIG. 8