

US00D840815S

(12) **United States Design Patent** (10) **Patent No.:** **US D840,815 S**
Barenhoff et al. (45) **Date of Patent:** **** Feb. 19, 2019**

(54) **SPRAY CAP FOR AEROSOL CONTAINERS**

(56) **References Cited**

(71) Applicant: **Aptar Dortmund GmbH**, Dortmund (DE)

U.S. PATENT DOCUMENTS

(72) Inventors: **Swen Barenhoff**, Bönen (DE); **Nils Daniel Deringer**, Eging am See (DE)

D140,765 S *	4/1945	Borchers	D8/302
D157,065 S *	1/1950	Medgyes	D9/443
D190,254 S *	5/1961	Trexler	222/478
4,034,901 A	7/1977	Kirk		
D468,205 S	1/2003	Pierce		
D484,801 S	1/2004	Pierce		
D540,140 S *	4/2007	Soriano	D8/302
D547,181 S	7/2007	Miller		

(73) Assignee: **APTAR DORTMUND GMBH**, Dortmund (DE)

(Continued)

(**) Term: **15 Years**

(21) Appl. No.: **29/566,451**

FOREIGN PATENT DOCUMENTS

(22) Filed: **May 31, 2016**

EM	000729306-0007	5/2007	
EM	000729306-0009	5/2007	
WO	WO-2005032973 A2 *	4/2005 B65D 83/205

Related U.S. Application Data

(63) Continuation of application No. 29/497,940, filed on Jul. 30, 2014, now Pat. No. Des. 757,544.

Primary Examiner — Jennifer Rivard

Assistant Examiner — Catherine Suzanne Posthauer

(51) **LOC (11) Cl.** **09-07**

(74) *Attorney, Agent, or Firm* — Jason H. Vick; Sheridan Ross, PC

(52) **U.S. Cl.**
USPC **D9/448**

(57) **CLAIM**

(58) **Field of Classification Search**

The ornamental design for a spray cap for aerosol containers, as shown and described.

USPC D7/393, 394, 395, 396.1, 397, 398, 414; D8/2, 80, 88, 94, 302, 303, 311, 315, D8/401; D9/443, 444, 447, 448, 449, D9/451, 682, 685, 686, 688, 689, 690, D9/723; D19/110, 115, 158, 199; D24/113, 127, 129, 133; D28/56, 57

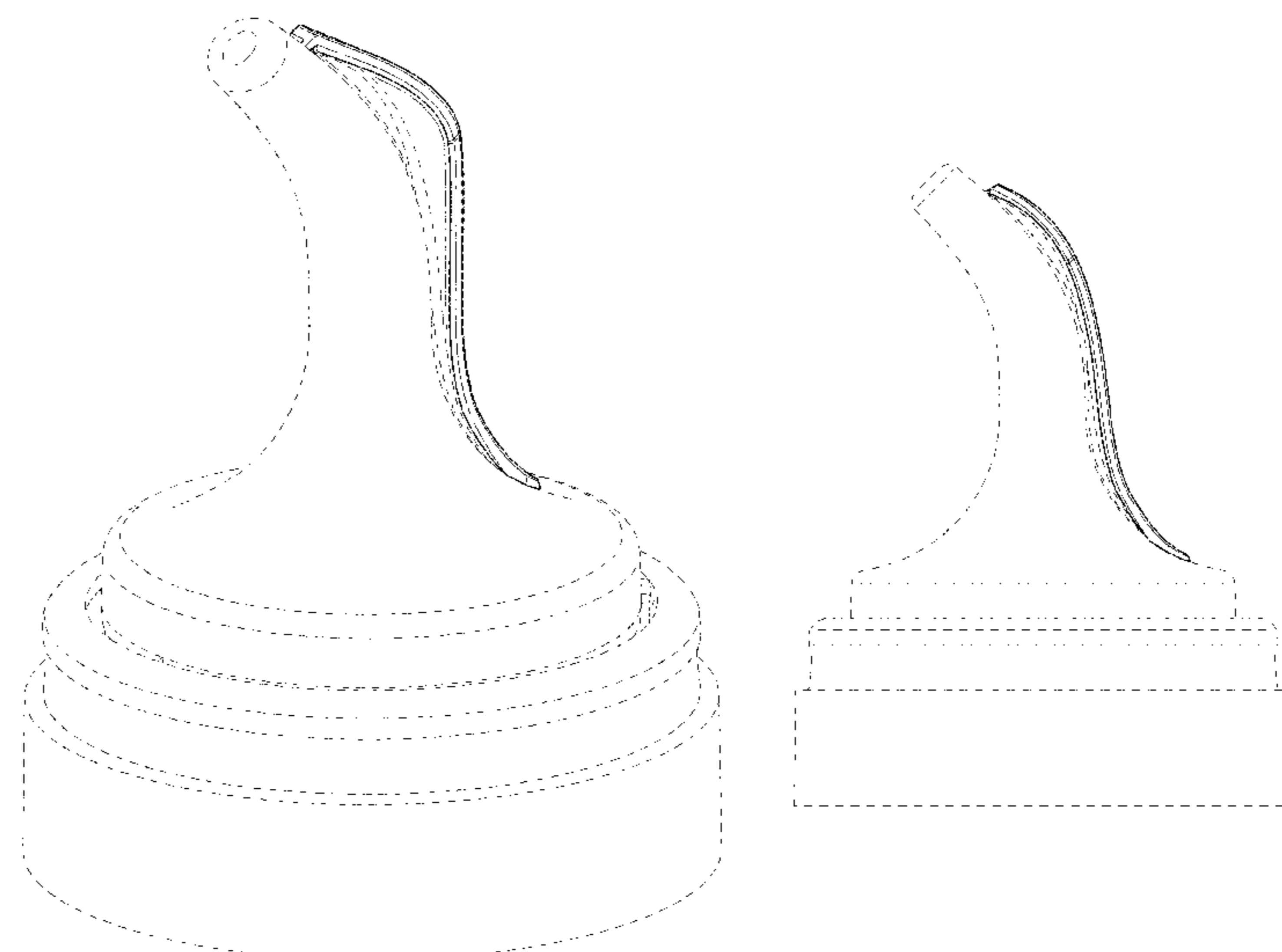
CPC B65D 39/00; B65D 39/0047; B65D 25/00; B65D 25/40; B65D 25/42; B65D 25/46; B65D 25/48; B65D 25/77; B65D 41/00; B65D 43/02; B65D 51/02; B65D 51/04; B65D 23/08; B65D 83/40; B65D 83/205; B65D 83/206; B65D 83/345; B65D 2255/00; A45D 40/081; A45D 40/0093; A45D 40/22; A45D 34/00; A62C 31/02; B05B 11/0032; B05B 11/0056; B05B 11/3059; B05B 11/3097

DESCRIPTION

FIG. 1 is a perspective view of the spray cap for aerosol containers showing the new design; FIG. 2 is a front elevation view thereof; FIG. 3 is a rear elevation view thereof; FIG. 4 is a right elevation view thereof; FIG. 5 is a left elevation view thereof; FIG. 6 is a top plan view thereof; and, FIG. 7 is a bottom plan view thereof. The evenly broken lines are shown for the purpose of illustrating parts of the article that form no part of the claim. The dot-dash lines represent the boundaries of the claim and form no part thereof.

See application file for complete search history.

1 Claim, 7 Drawing Sheets



(56)

References Cited

U.S. PATENT DOCUMENTS

D586,211	S	*	2/2009	Pires	D9/447
D605,037	S	*	12/2009	Schrimpf	D9/447
D634,210	S		3/2011	Kaplan et al.	
D641,625	S		7/2011	Kaplan et al.	
D652,251	S		1/2012	Goralski et al.	
D681,456	S		5/2013	Agarwal et al.	
D693,639	S	*	11/2013	Slaker	D7/395
D701,764	S		4/2014	Brower et al.	
D712,741	S		9/2014	Vukelic	
D714,936	S	*	10/2014	Weber	D24/133
D719,826	S		12/2014	Burnside	
D752,917	S	*	4/2016	Ksiazek	D7/394
D757,544	S		5/2016	Barenhoff et al.	
D769,714	S	*	10/2016	Kozu	D9/434
2007/0131804	A1	*	6/2007	Westrich	B65D 83/20 239/588
2015/0034114	A1		2/2015	Miles	
2015/0076011	A1		3/2015	Pernikoff	
2016/0297576	A1	*	10/2016	Hill	B65D 47/122

* cited by examiner

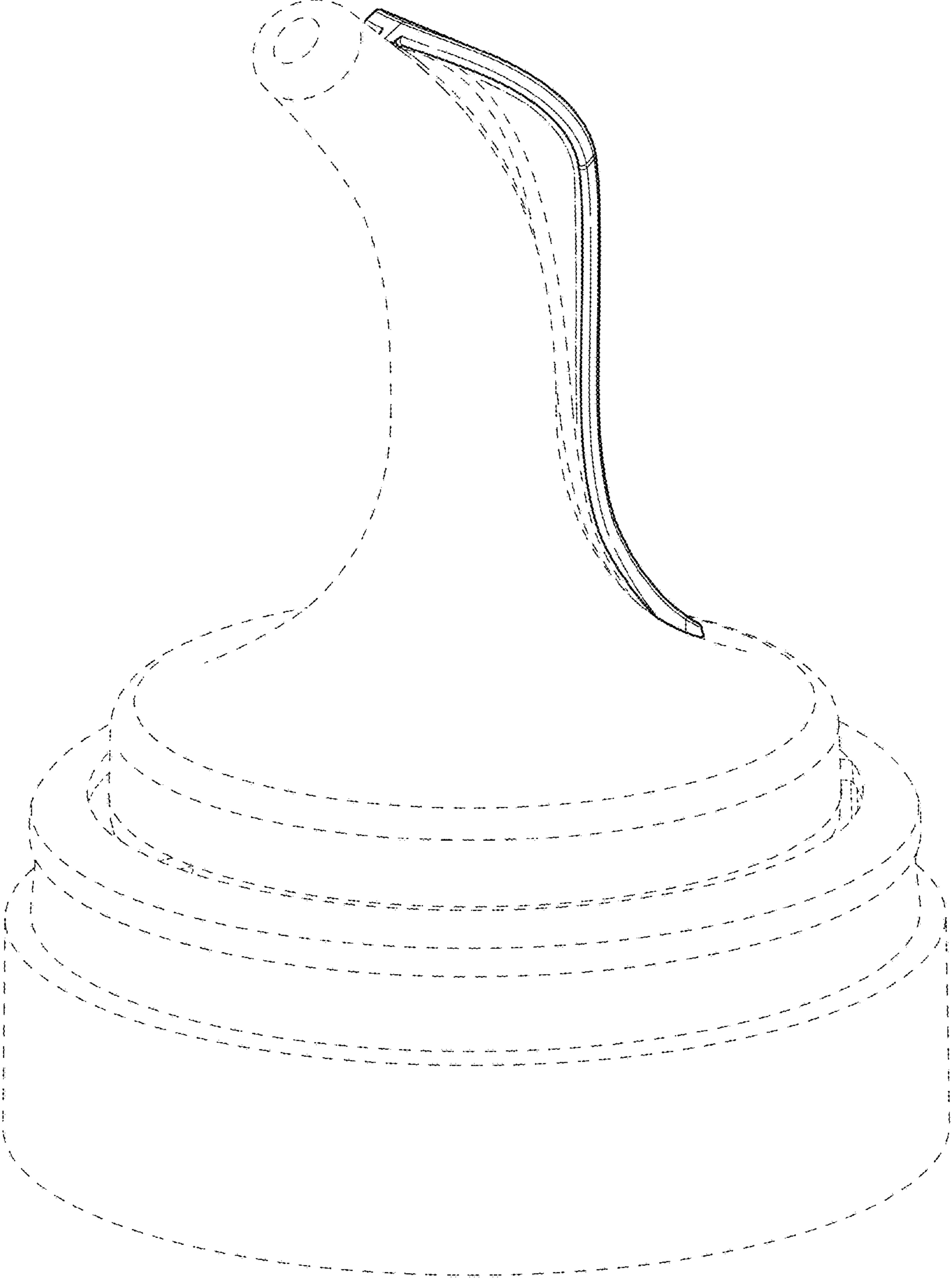


FIG.1

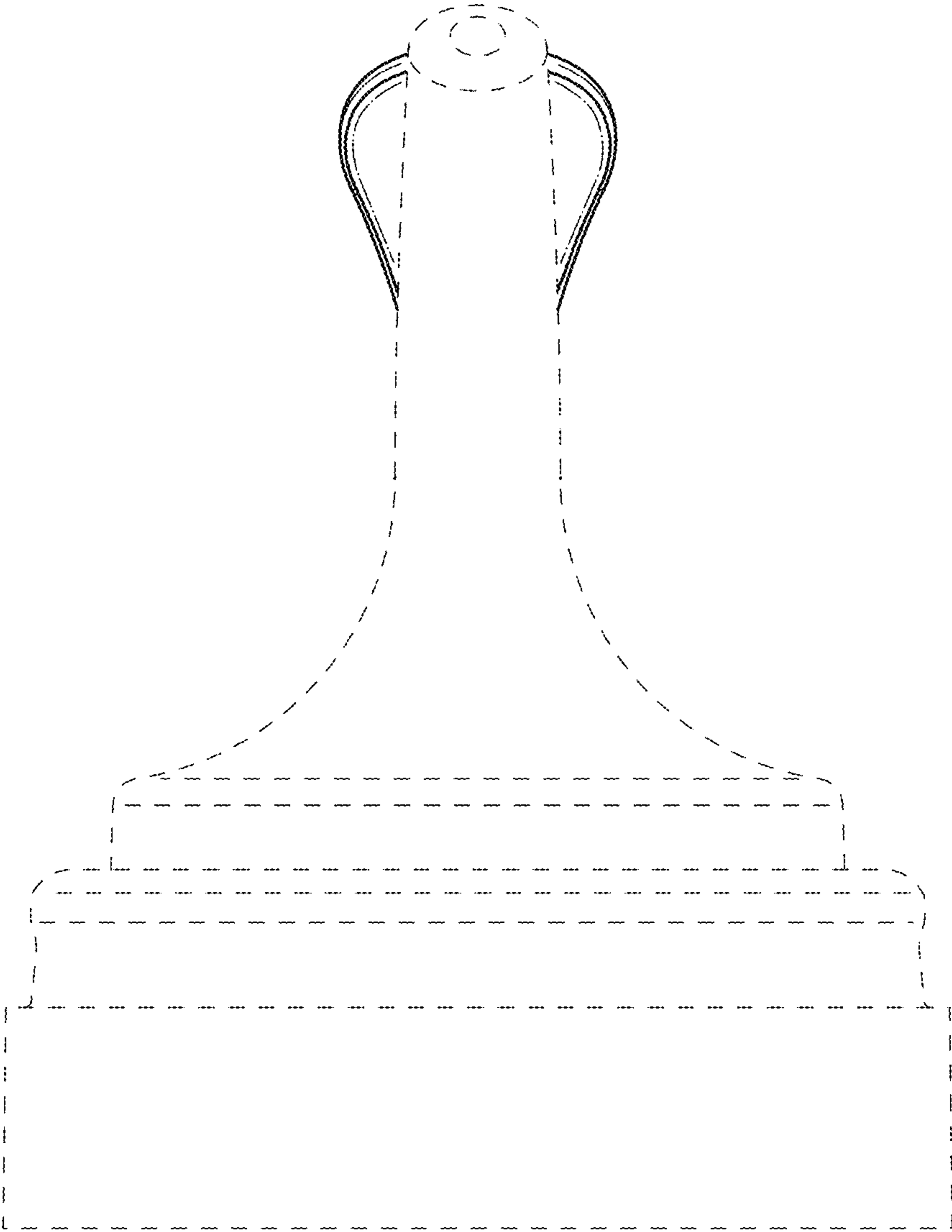


FIG.2

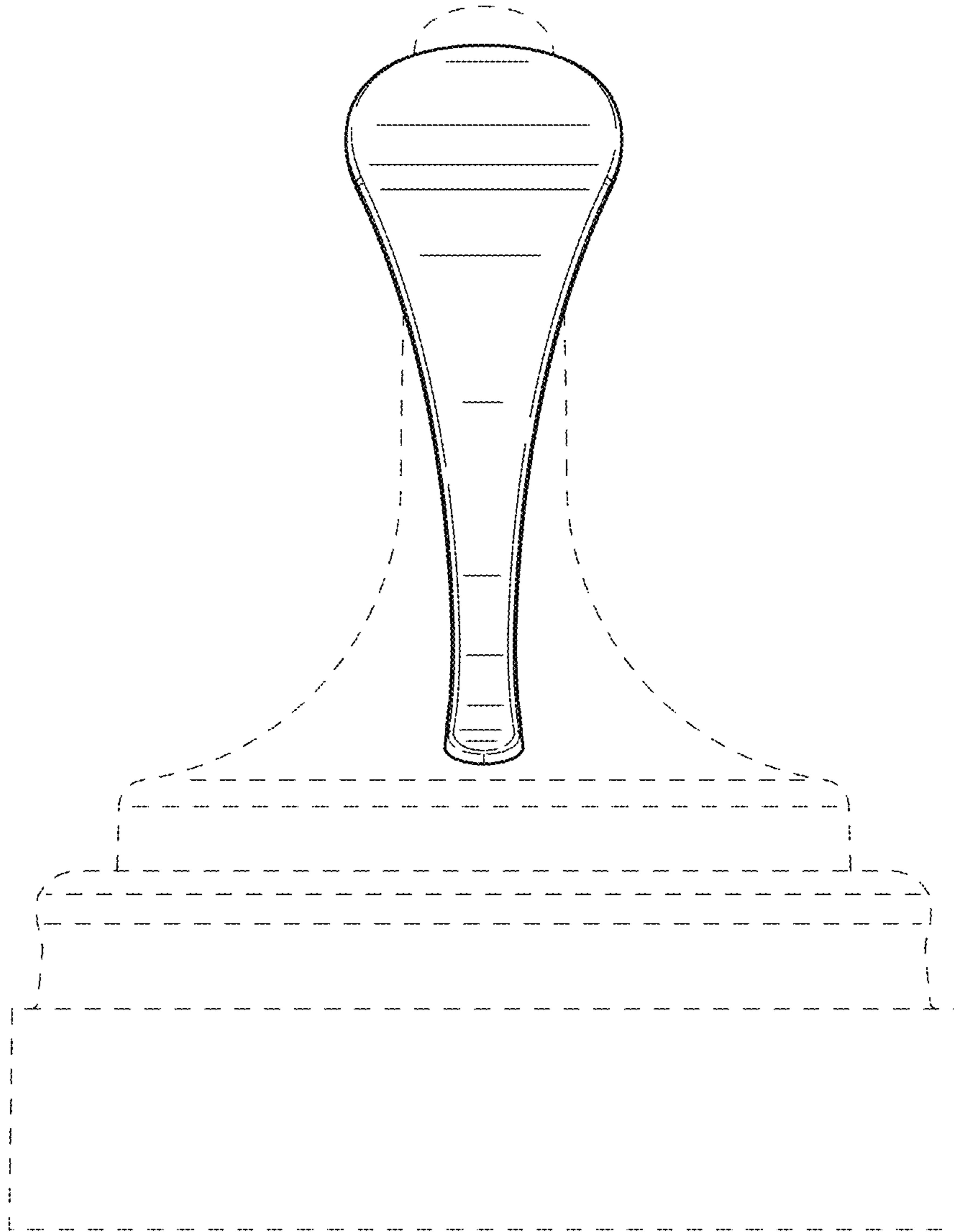


FIG. 3

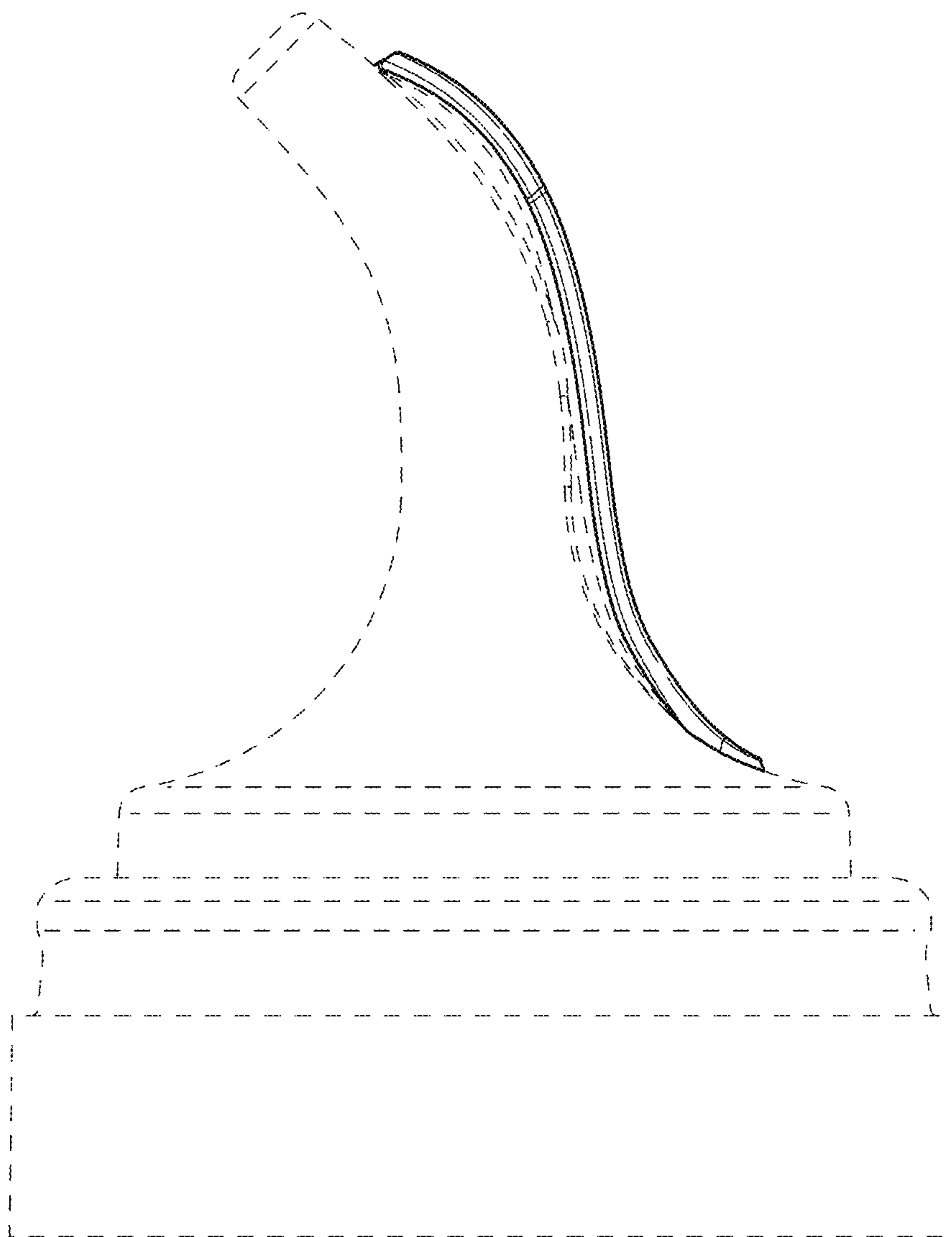


FIG.4

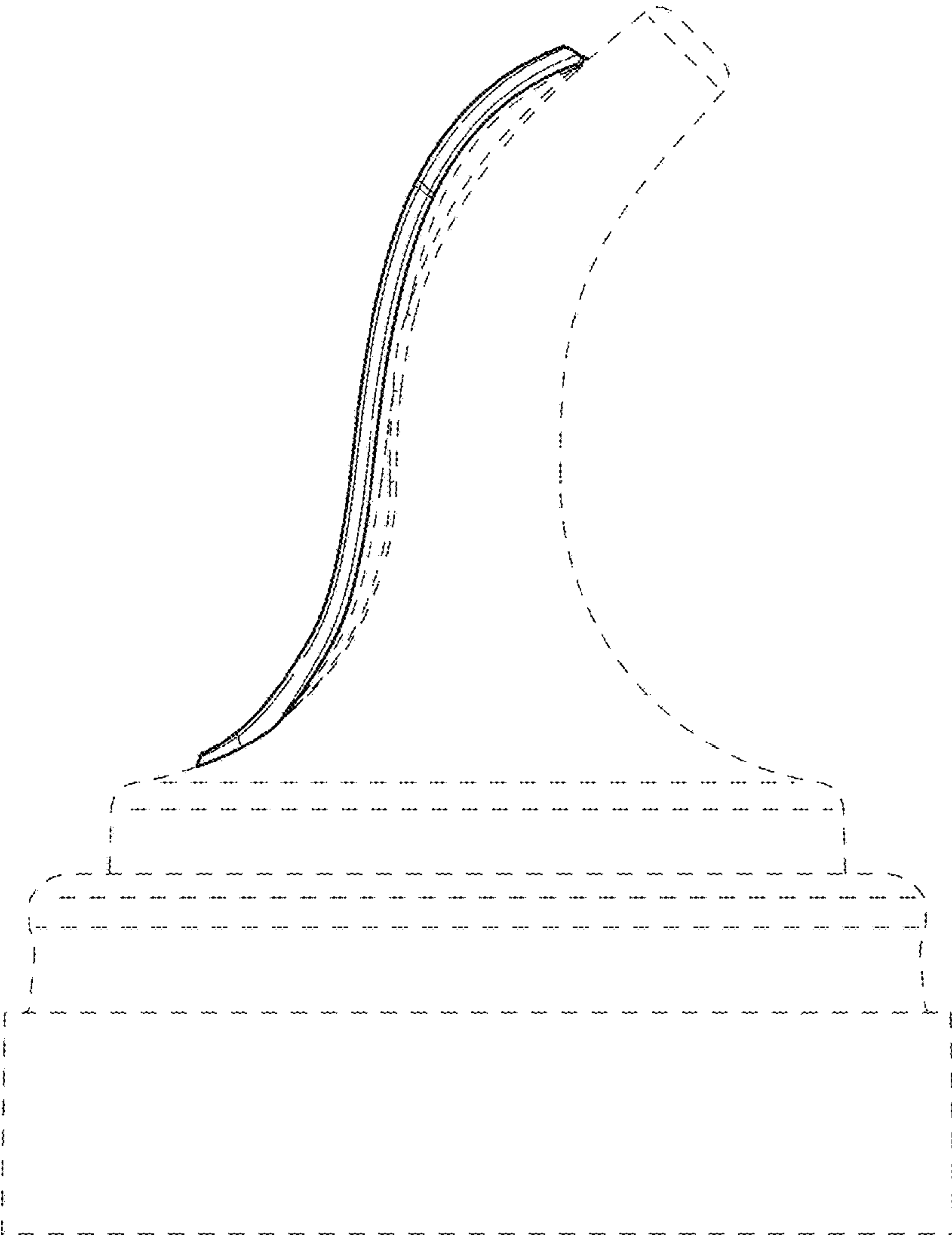


FIG.5

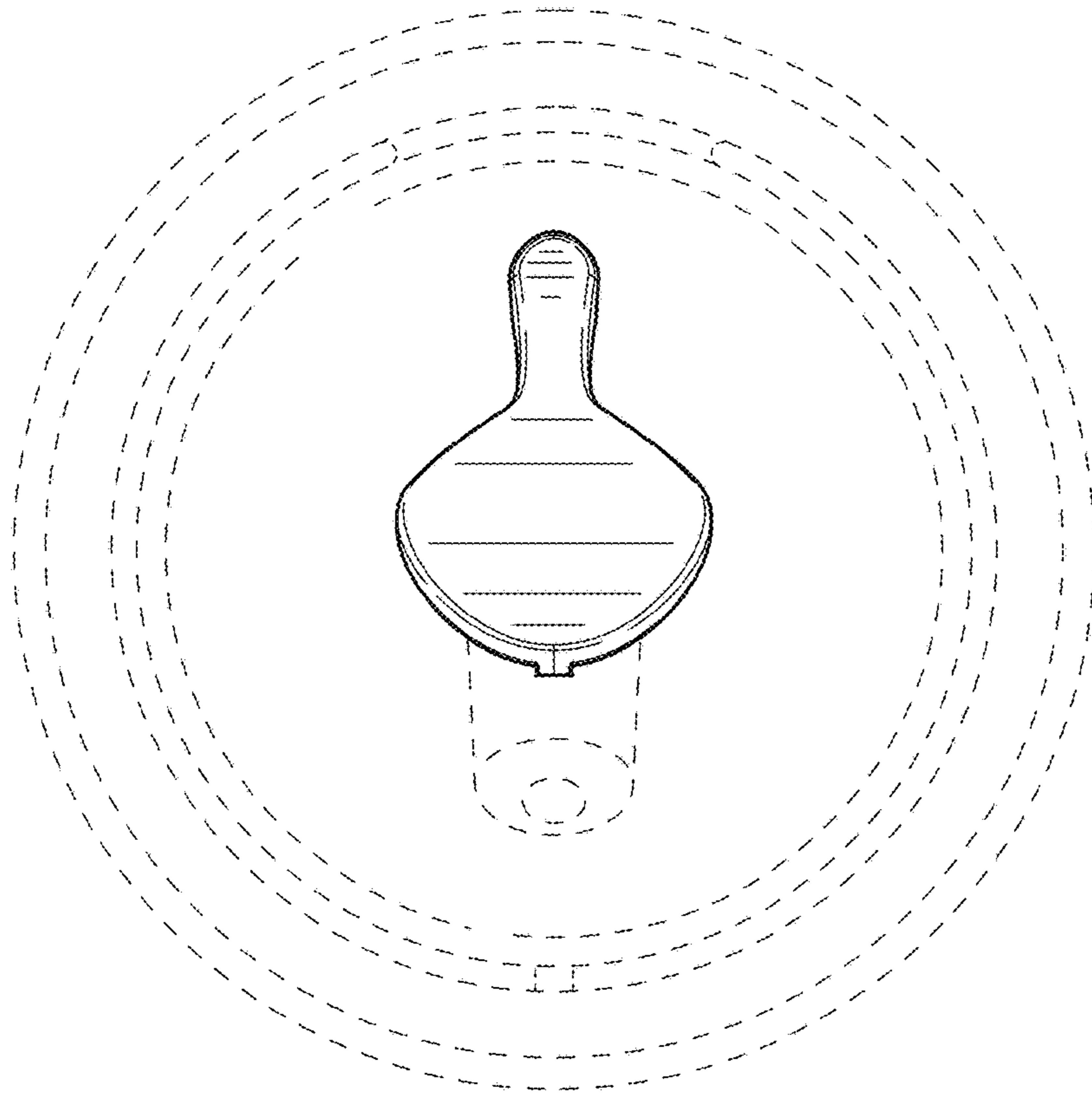


FIG. 6

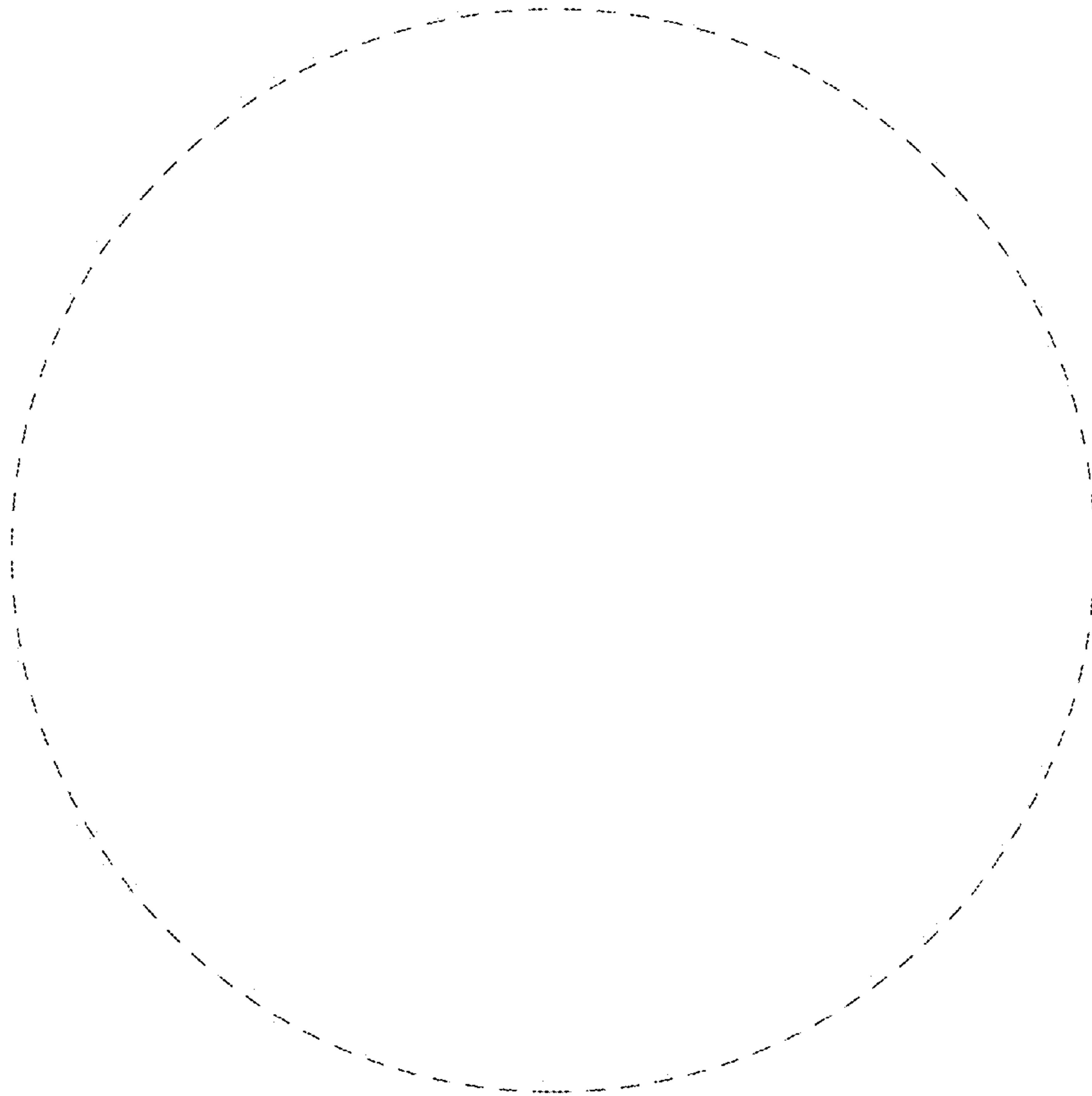


FIG. 7

UNITED STATES PATENT AND TRADEMARK OFFICE
CERTIFICATE OF CORRECTION

PATENT NO. : D840,815 S
APPLICATION NO. : 29/566451
DATED : February 19, 2019
INVENTOR(S) : Swen Barenhoff et al.

Page 1 of 1

It is certified that error appears in the above-identified patent and that said Letters Patent is hereby corrected as shown below:

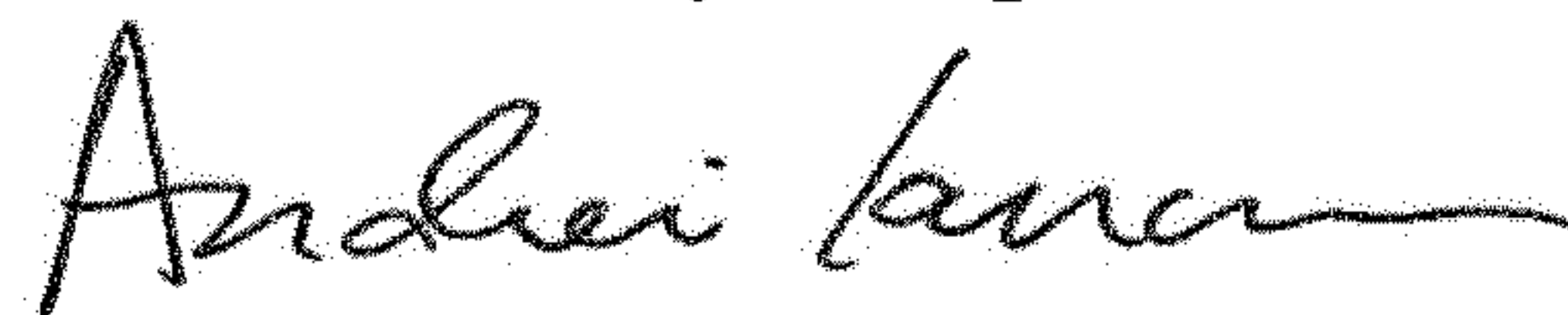
On the Title Page

Column 1, please add the following section:

(30) Foreign Application Priority Data

Feb. 3, 2014 (EM) 002 396 911-0001

Signed and Sealed this
Second Day of April, 2019



Andrei Iancu
Director of the United States Patent and Trademark Office