



US00D840814S

(12) **United States Design Patent** (10) **Patent No.:** **US D840,814 S**
Willis (45) **Date of Patent:** **** Feb. 19, 2019**

(54) **BOTTLE TIP**

(71) Applicant: **Kimberly Willis**, Cincinnati, OH (US)

(72) Inventor: **Kimberly Willis**, Cincinnati, OH (US)

(73) Assignee: **Kimberly Willis**, Cincinnati, OH (US)

(**) Term: **15 Years**

(21) Appl. No.: **29/589,389**

(22) Filed: **Dec. 30, 2016**

(51) **LOC (11) Cl.** **09-07**

(52) **U.S. Cl.**
USPC **D9/447**

(58) **Field of Classification Search**
USPC D3/202, 318; D7/305, 387, 396.1, 396.2,
D7/397, 511, 629; D9/434-437, 439,
D9/440, 447, 449, 450, 454, 499, 723,
D9/724, 730; D8/14.1
CPC B65D 25/42
See application file for complete search history.

(56) **References Cited**

U.S. PATENT DOCUMENTS

D198,109 S *	4/1964	Klum	D9/436
D326,816 S *	6/1992	Abrams	D9/435
D352,451 S *	11/1994	Linner	D9/503
6,318,605 B1 *	11/2001	Nyman	B65D 35/44
				215/305
D467,174 S *	12/2002	Mozes	D9/435
D470,052 S *	2/2003	Klutts	D9/447
D650,251 S *	12/2011	Binder	B65D 25/42
				D8/14.1
D654,375 S *	2/2012	Kuboshima	D9/443
D681,456 S *	5/2013	Agarwal	D7/392
D684,054 S *	6/2013	Son	D9/447
D688,127 S *	8/2013	Agassi	D9/440
D739,727 S *	9/2015	Olson	D9/436
D769,714 S *	10/2016	Kozu	D9/434
D781,704 S *	3/2017	Olson	D9/436
D790,341 S *	6/2017	Ross	D9/447

OTHER PUBLICATIONS

Miniature Sweet. Icing Tips. 2017 [earliest online date], [site visited Oct. 10, 2017]. Available from Internet, <URL:https://www.miniaturesweethk.com/products/icing-tips-frosting-piping-tips-whipped-cream-tip-set-7pcs-regular-size-for-cake-decoration-cupcake-sweets-cell-phone-decoden-tl017>. (Year: 2017).*
WikiHow. How to Make a Rose With Cake Icing. Jul. 2017 [earliest online date], [site visited Oct. 10, 2017]. Available from Internet, <URL:https://www.wikihow.com/Make-a-Rose-With-Cake-Icing>. (Year: 2017).*

* cited by examiner

Primary Examiner — George D. Kirschbaum

Assistant Examiner — Darcey E Heflin

(74) *Attorney, Agent, or Firm* — Frost Brown Todd, LLC

(57) **CLAIM**

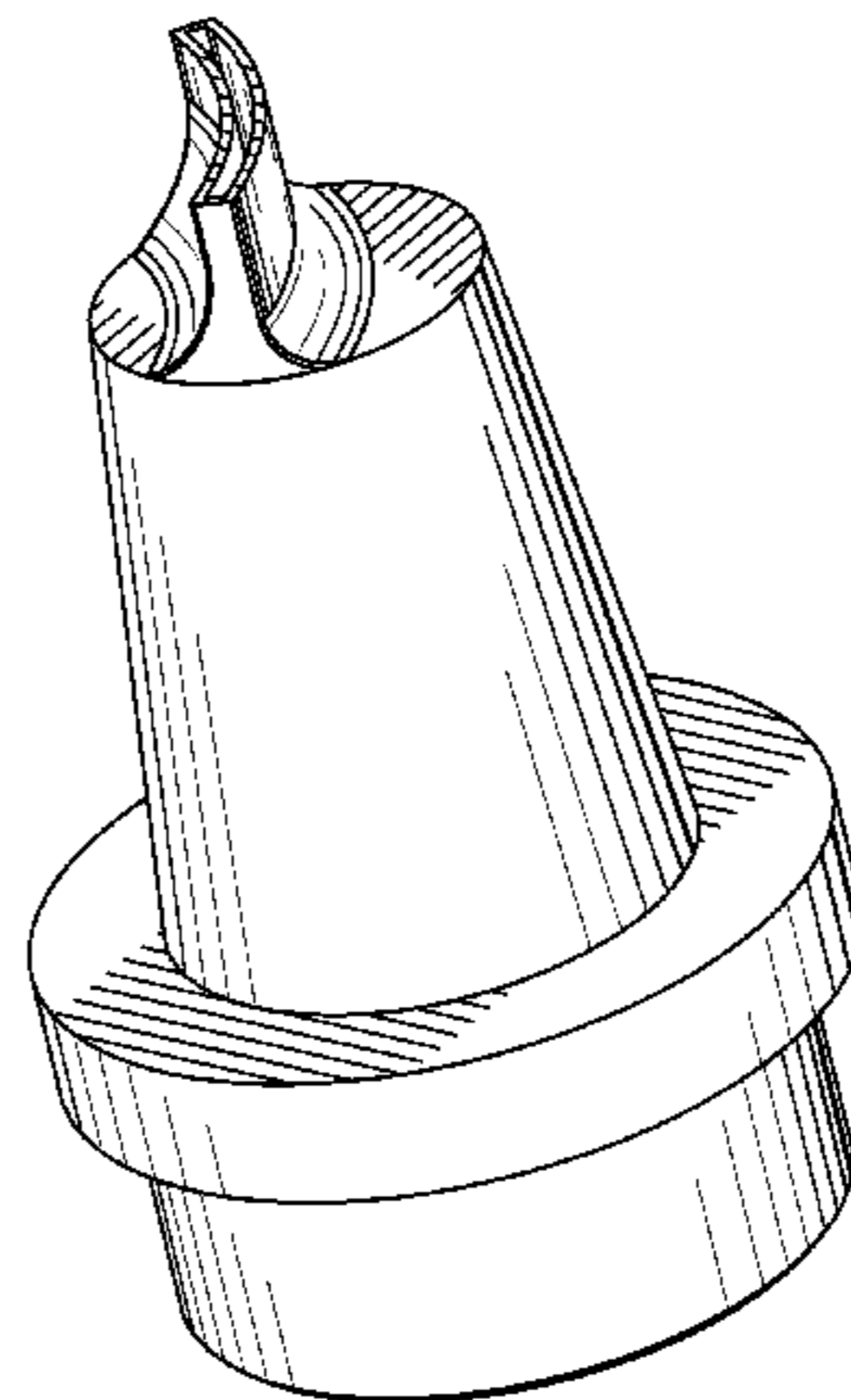
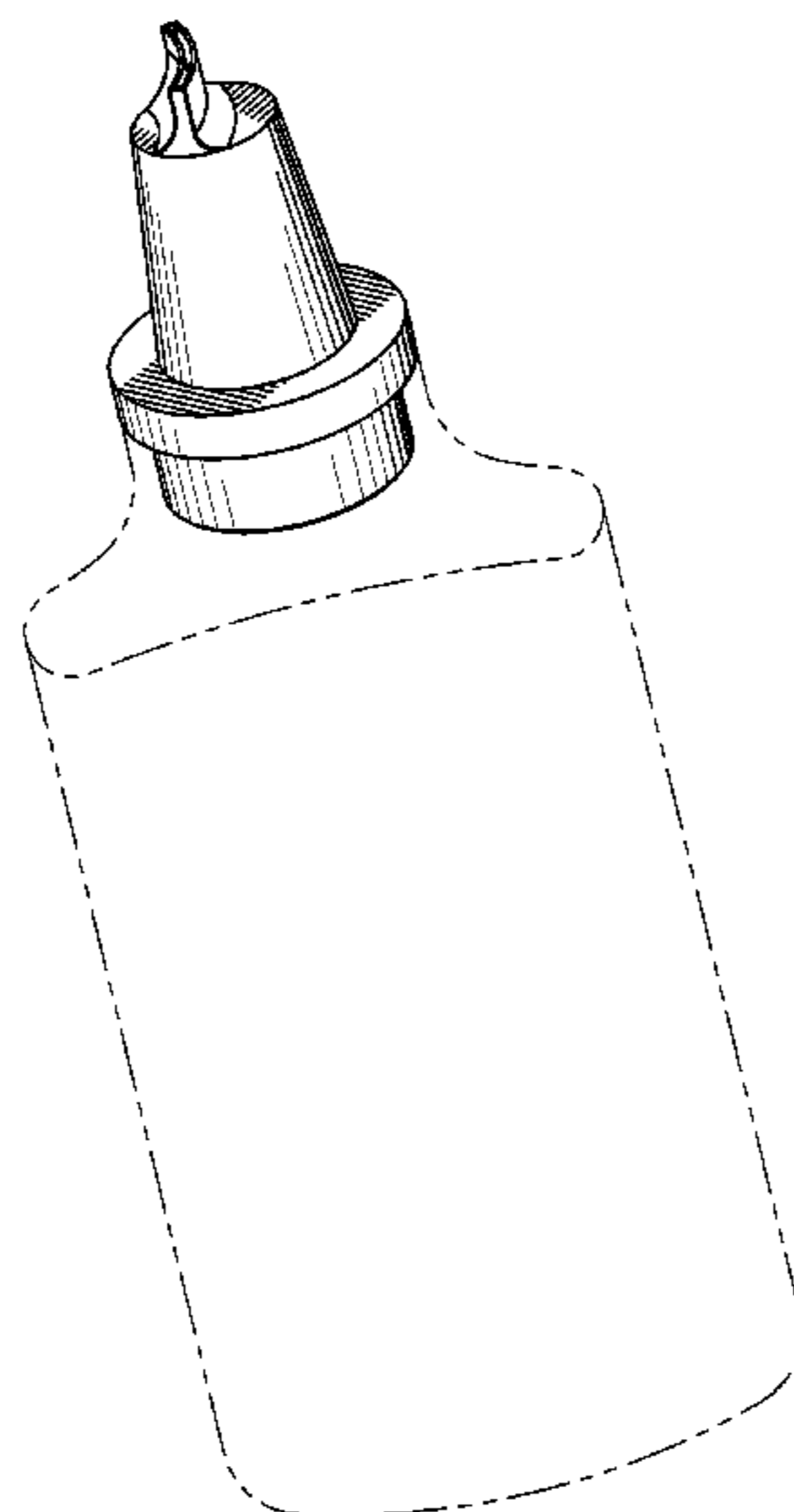
The ornamental design for a bottle tip, as shown and described.

DESCRIPTION

FIG. 1 is a top perspective view of a bottle tip showing my new design;
FIG. 2 is a top perspective view thereof shown in an alternate configuration;
FIG. 3 is a bottom perspective view of the bottle tip shown in FIG. 2;
FIG. 4 is a front elevational view thereof;
FIG. 5 is a rear elevational view thereof;
FIG. 6 is a left elevational view thereof;
FIG. 7 is a right elevational view thereof;
FIG. 8 is a top plan view thereof; and,
FIG. 9 is a bottom plan view thereof.

In the drawings, the broken lines show portions of a bottle tip and a container that form no part of the claim.

1 Claim, 9 Drawing Sheets



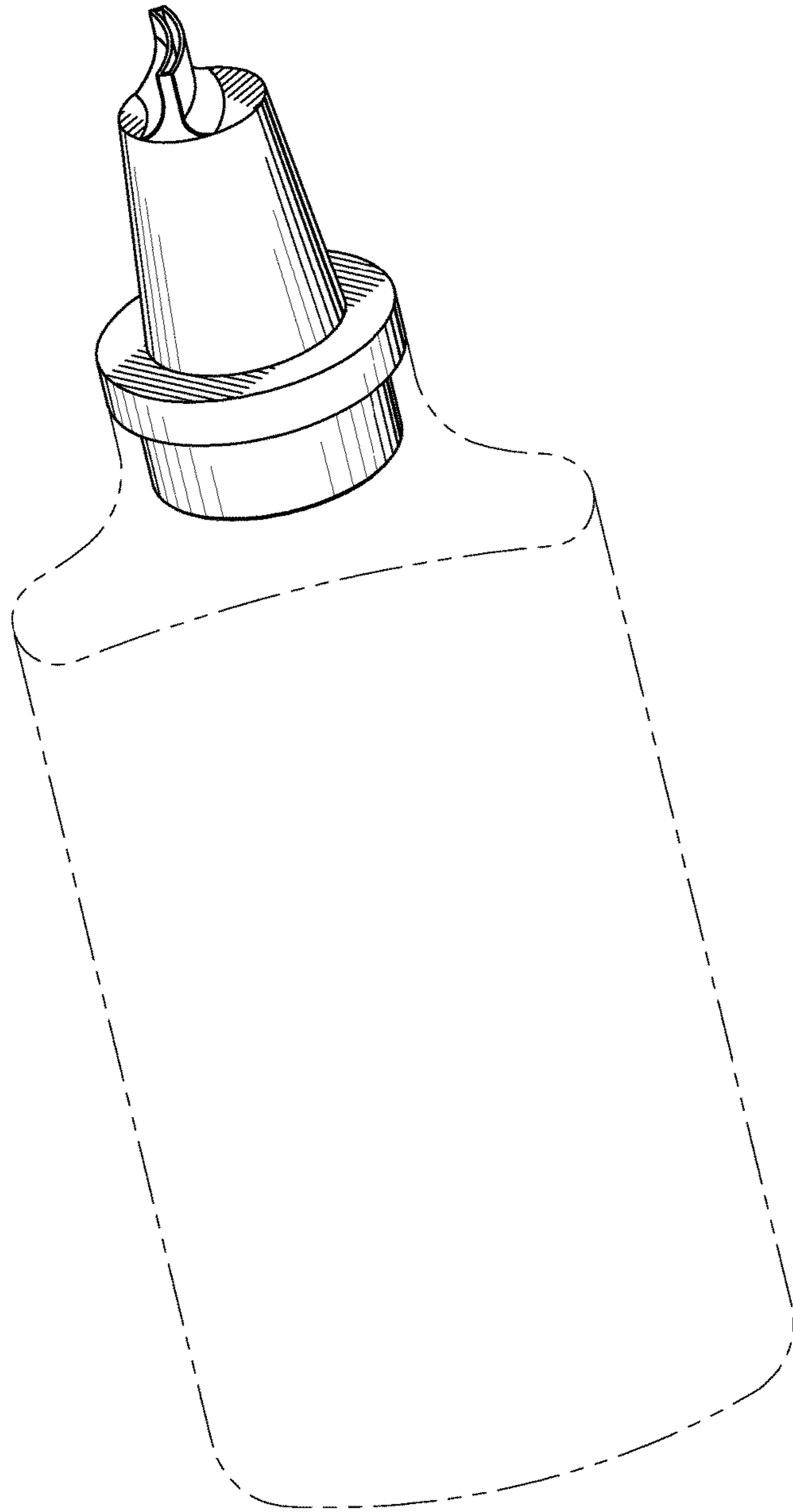


Fig. 1

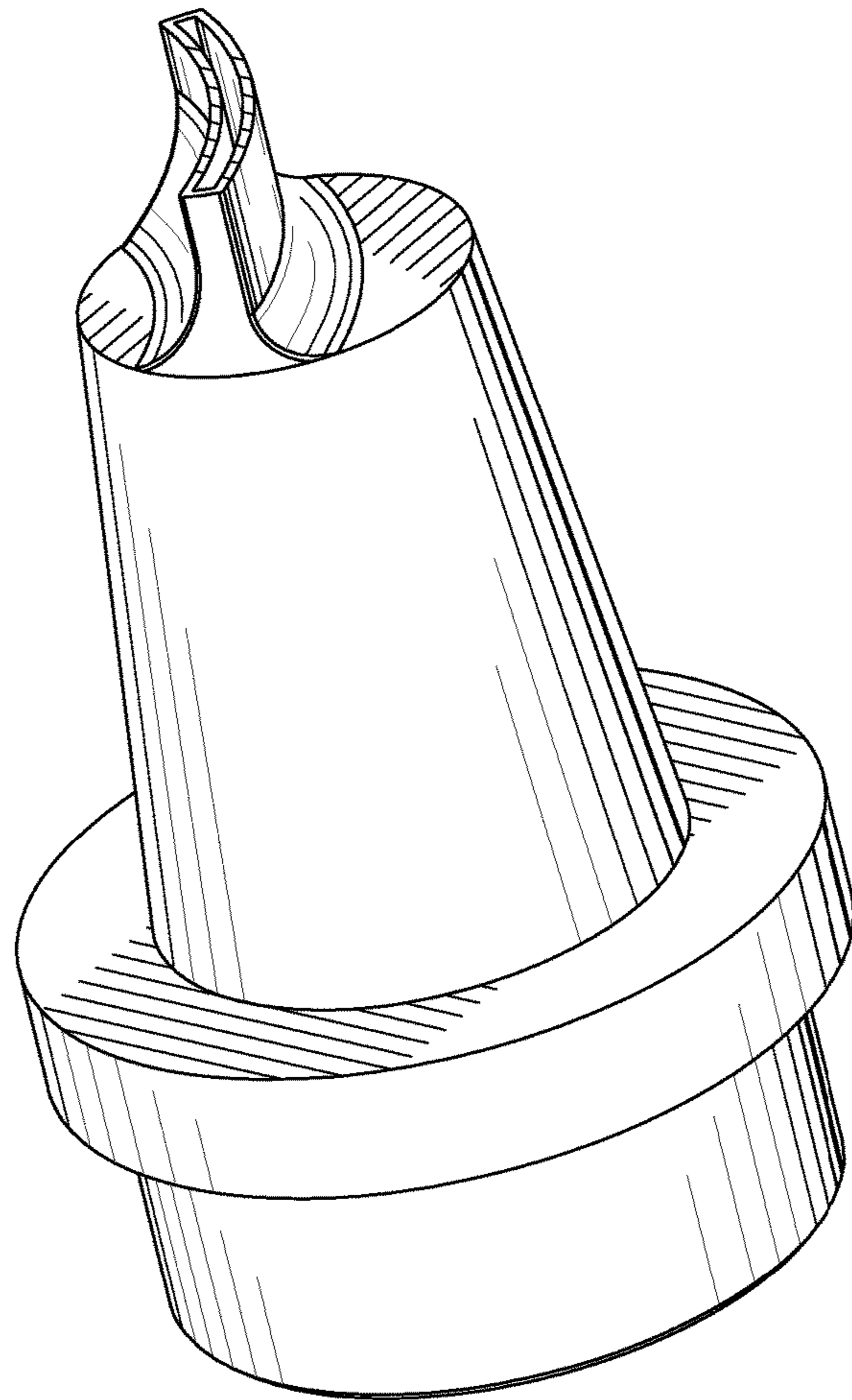


Fig.2

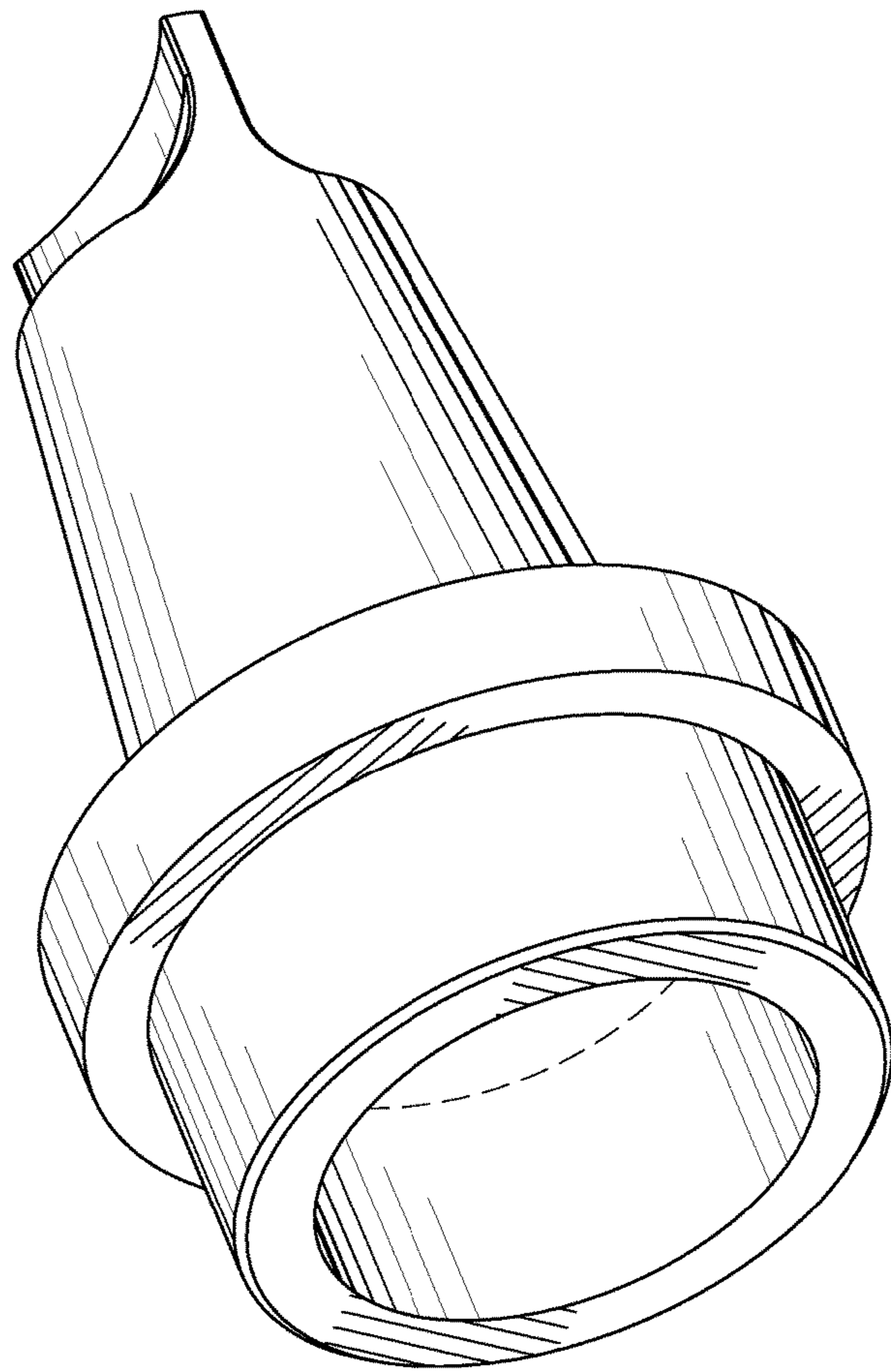


Fig.3

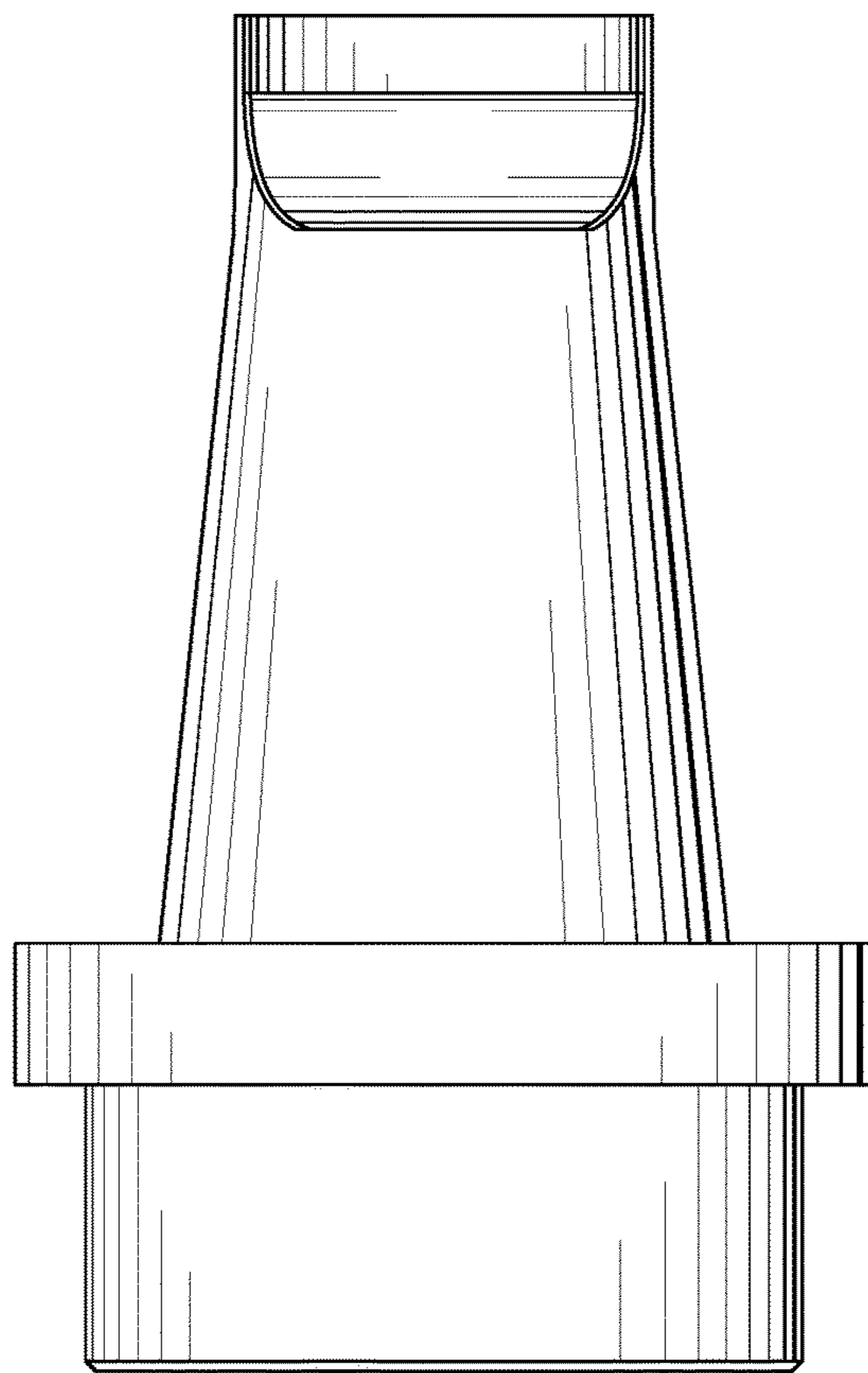


Fig.4

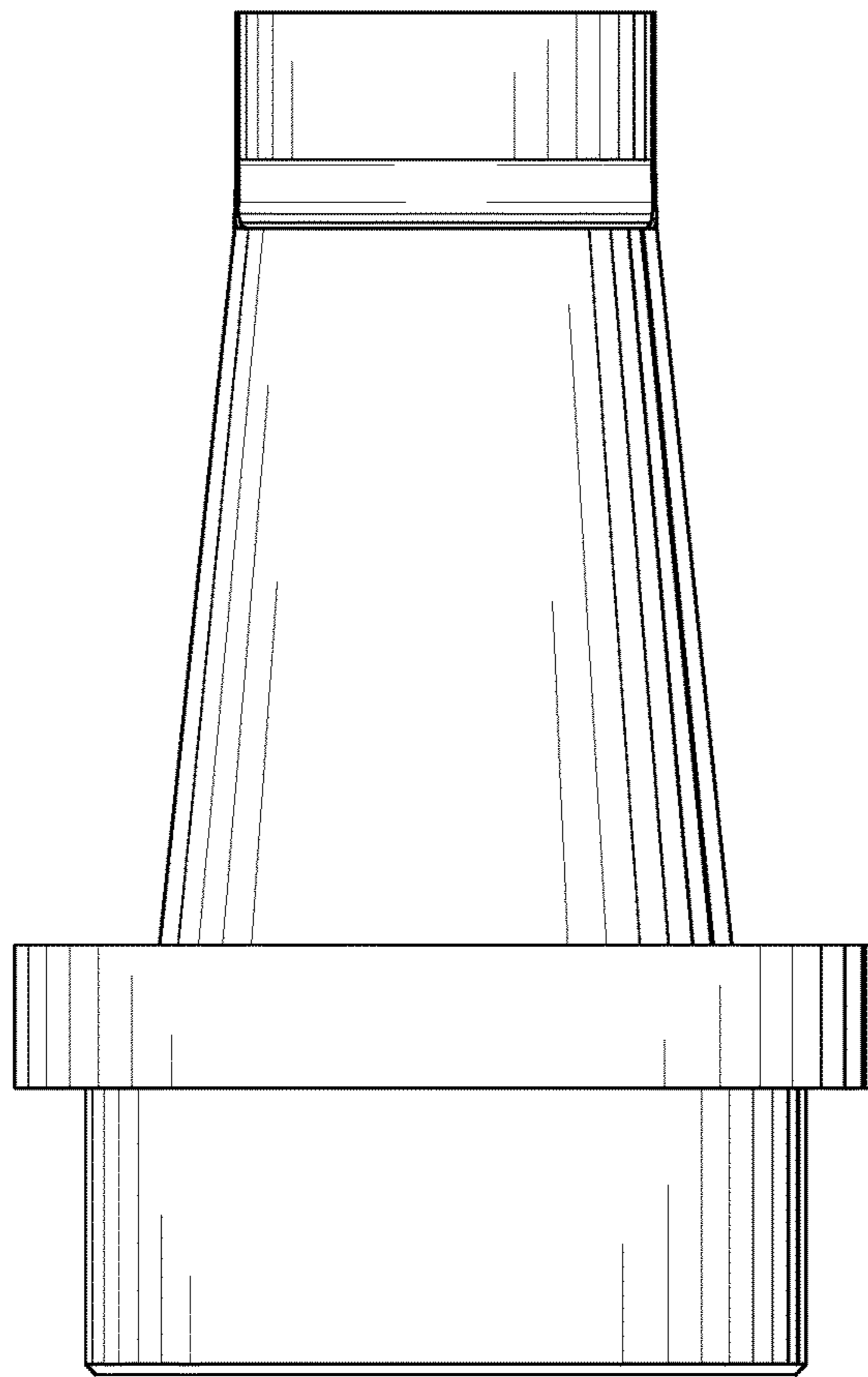


Fig.5

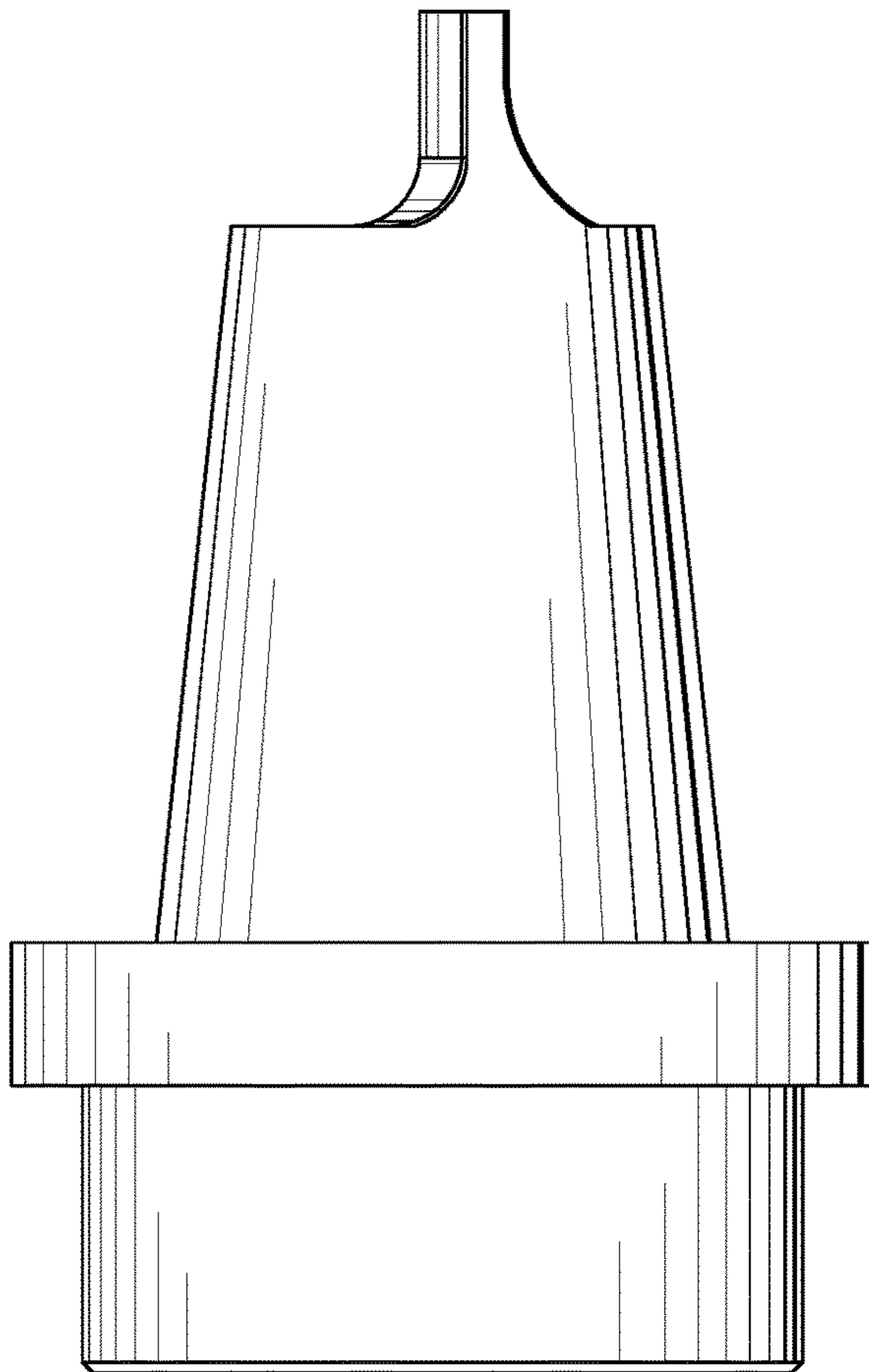


Fig.6

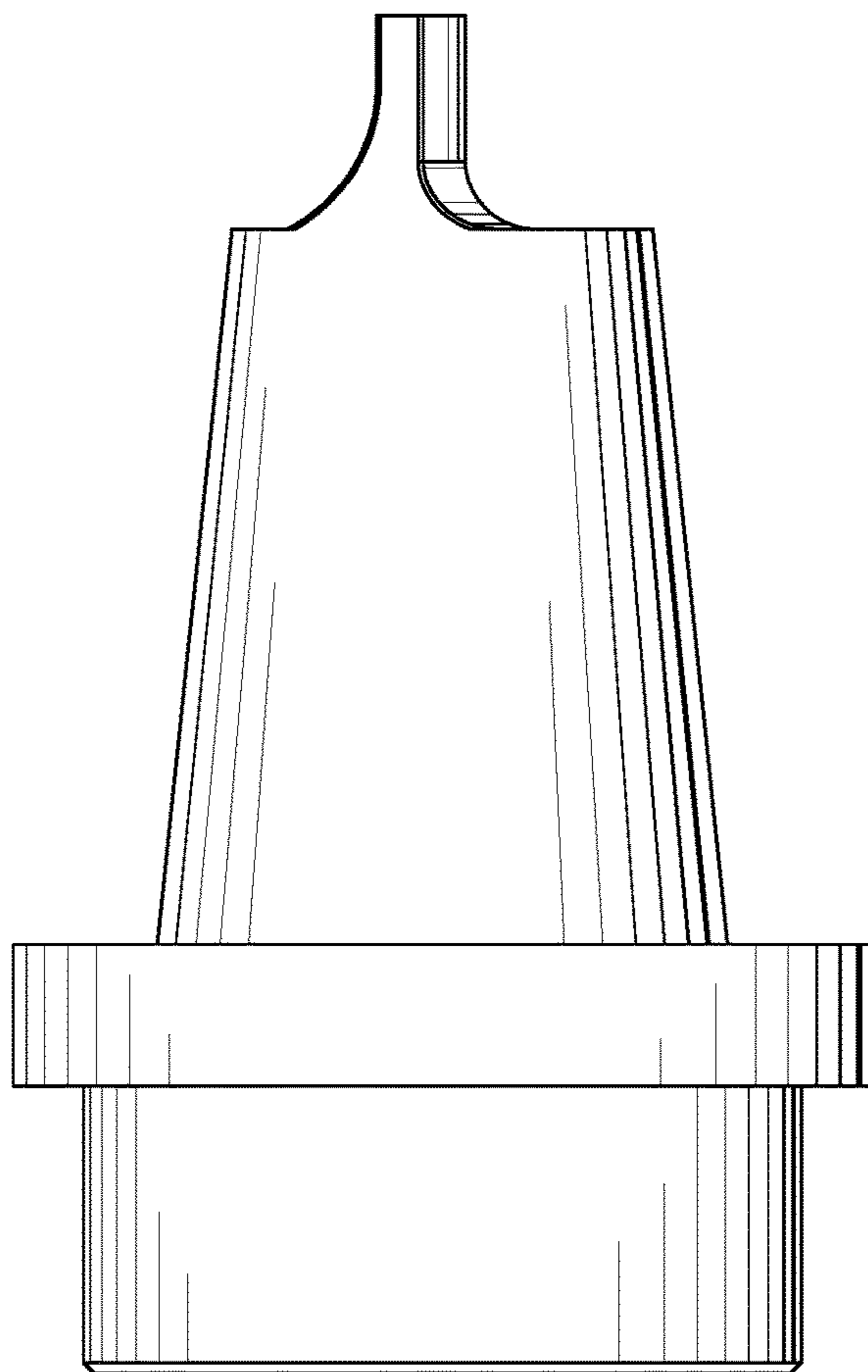


Fig.7

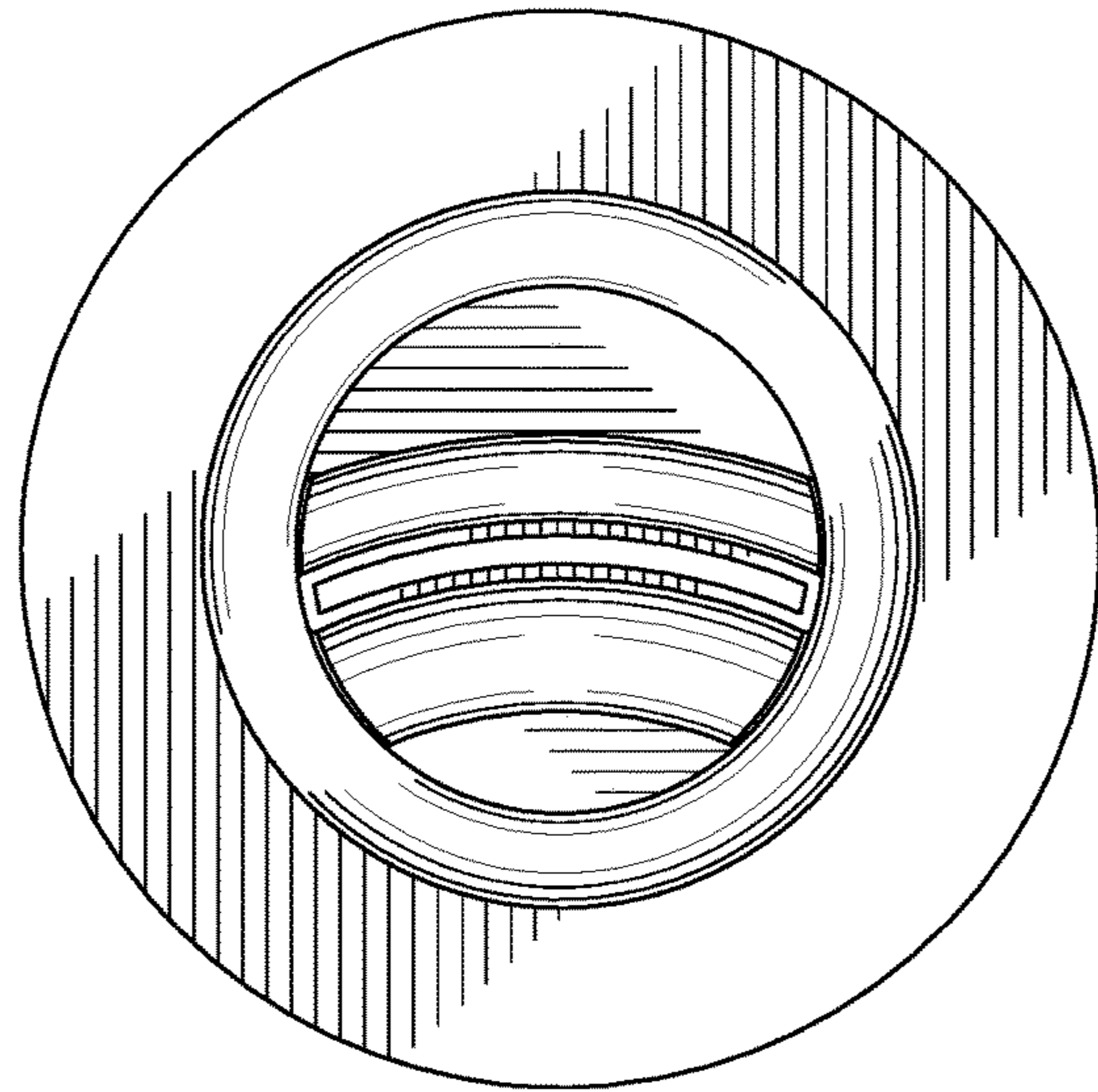


Fig.8

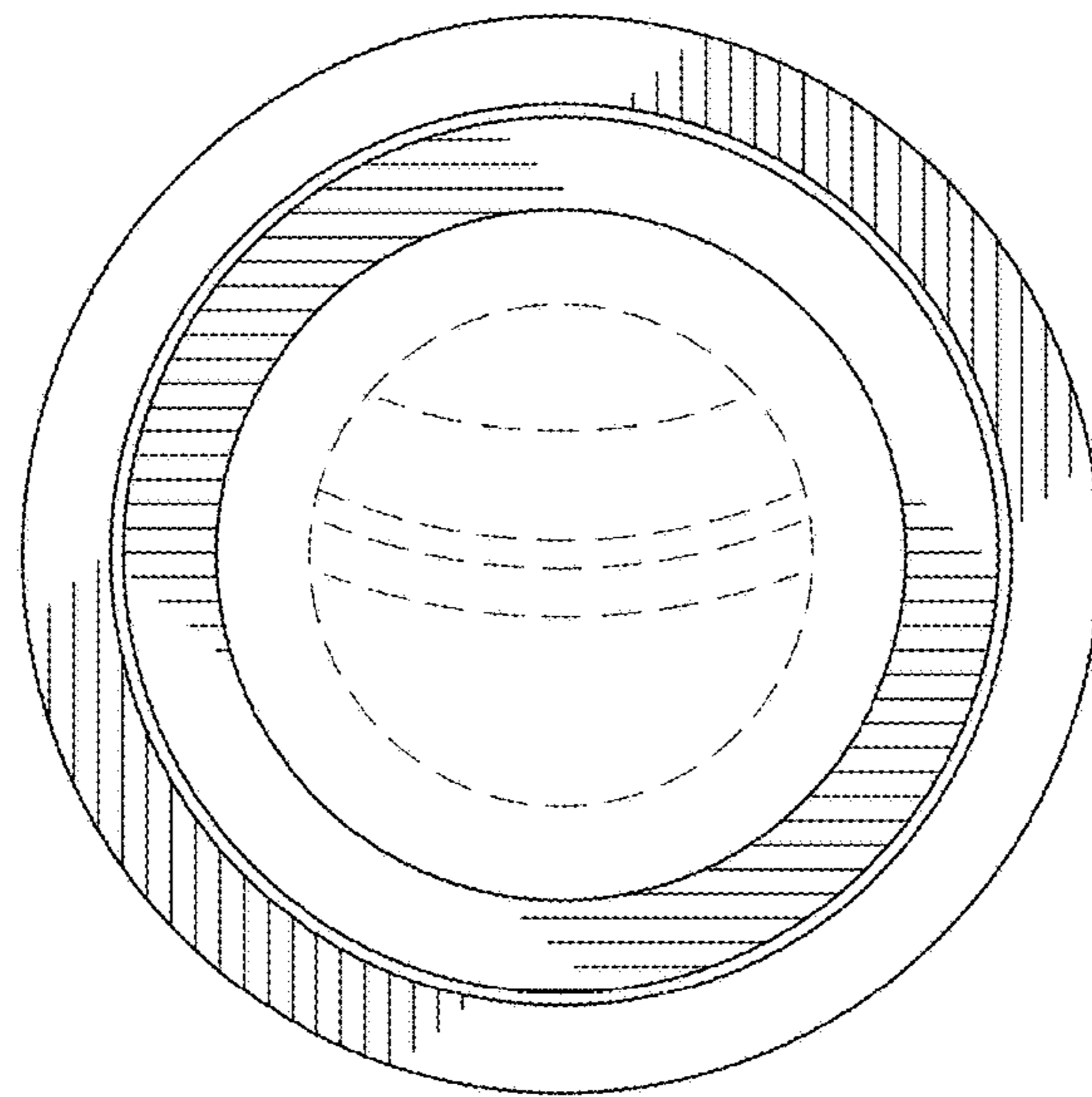


Fig.9