



US00D840812S

(12) **United States Design Patent** (10) **Patent No.:** **US D840,812 S**
Holmes (45) **Date of Patent:** **** Feb. 19, 2019**

(54) **CLOSURE**

- (71) Applicant: **Closure Systems International Inc.**,
Lake Forest, IL (US)
- (72) Inventor: **Larry Holmes**, Fishers, IN (US)
- (73) Assignee: **Closure Systems International Inc.**,
Lake Forest, IL (US)
- (**) Term: **15 Years**
- (21) Appl. No.: **29/661,756**
- (22) Filed: **Aug. 30, 2018**

Related U.S. Application Data

- (62) Division of application No. 29/594,654, filed on Feb. 21, 2017, now Pat. No. Des. 830,171.
- (51) **LOC (11) Cl.** **09-07**
- (52) **U.S. Cl.**
USPC **D9/443; D9/452**
- (58) **Field of Classification Search**
USPC D9/414, 415, 424, 425, 434, 435, 436,
D9/443, 444-452, 454-456, 499, 529,
D9/682, 685, 686; D7/387, 391, 392,
D7/392.1, 396.1, 396.2, 396.3, 396.4,
D7/397, 398, 401.1, 507, 509-511, 538,
D7/900; D3/202, 203.2; D28/91, 91.1;
D12/197; D23/249, 260
CPC .. A61J 1/00; A61J 1/1412; B65D 1/00; B65D
1/02; B65D 1/10; B65D 1/46; B65D
2585/56; B65D 2585/545; B65D 41/00;
B65D 41/38; B65D 41/56; B65D 41/62;
B65D 47/00; B65D 47/06; B65D 47/08;
B65D 2543/00046; B65D 2543/00092;
B65D 2543/00296; B65D 5/46; B65D
2251/00

See application file for complete search history.

(56) **References Cited**

- U.S. PATENT DOCUMENTS
- D18,622 S * 9/1888 Curtice D9/452
 - 1,848,773 A * 3/1932 Fison B65D 45/32
215/274
 - 1,981,414 A * 11/1934 Hermani B65D 41/0492
215/334
 - D130,407 S * 11/1941 McIntosh D28/76
 - D198,953 S * 8/1964 Quintal D19/194
 - D200,819 S * 4/1965 Perun D9/434
 - 3,204,801 A * 9/1965 Switzgable, Jr. B65D 45/32
215/274
 - D252,208 S * 6/1979 Ooya D16/219
- (Continued)

Primary Examiner — Michael A. Pratt
Assistant Examiner — Wendy L Arminio
 (74) *Attorney, Agent, or Firm* — Nixon Peabody LLP

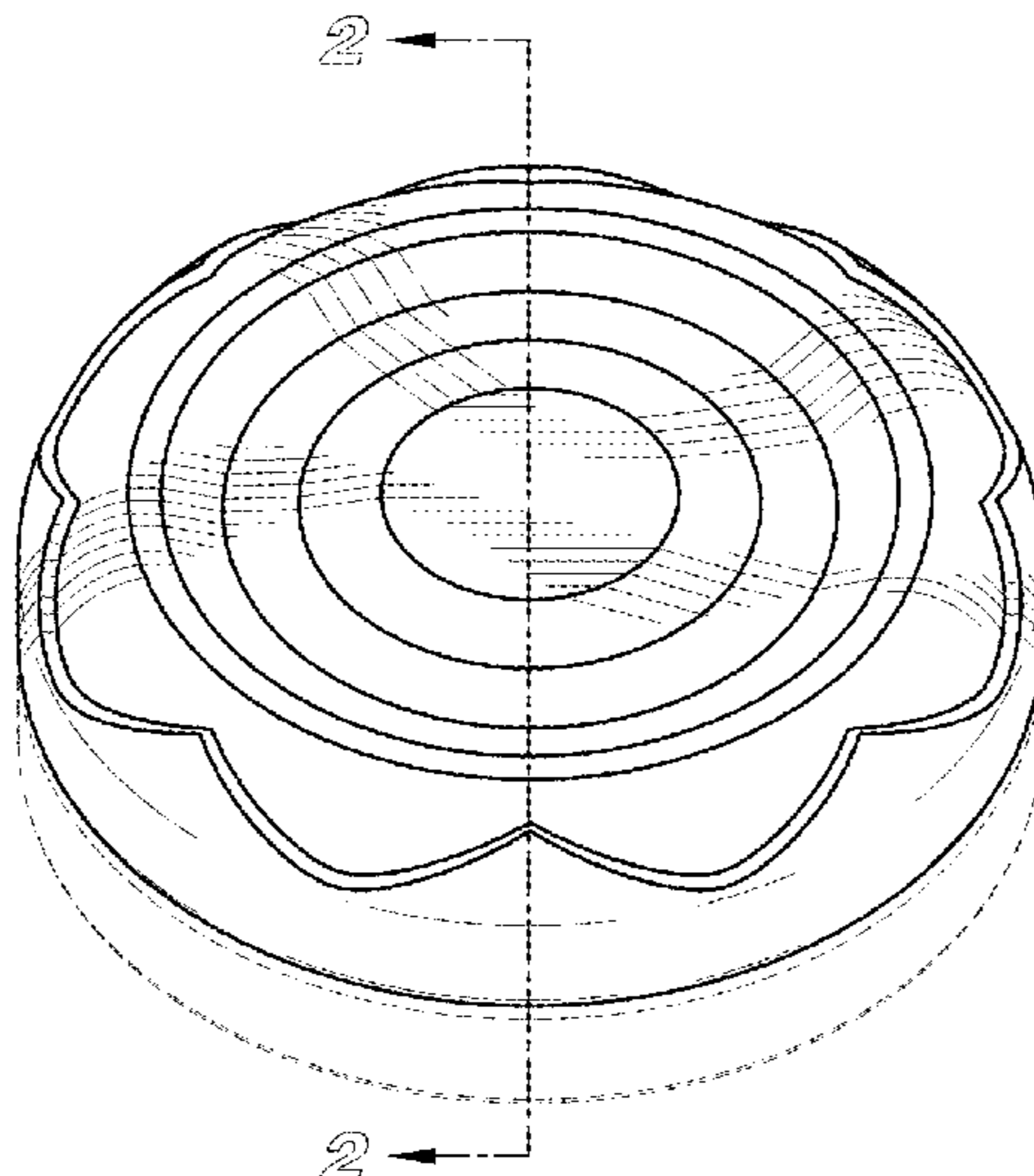
(57) **CLAIM**

The ornamental design for a closure, as shown and described.

DESCRIPTION

FIG. 1 is a top-perspective view of a closure;
 FIG. 2 is a side cross-sectional view of the closure of FIG. 1 taken in the direction of line 2-2;
 FIG. 3 is a bottom-perspective view of the closure of FIG. 1;
 FIG. 4 is a top plan view of the closure of FIG. 1;
 FIG. 5 is a left side elevation view of the closure of FIG. 1;
 FIG. 6 is a right side elevation view of the closure of FIG. 1;
 FIG. 7 is a front elevation view of the closure of FIG. 1;
 FIG. 8 is a back elevation view of the closure of FIG. 1; and,
 FIG. 9 is a bottom plan view of the closure of FIG. 1.
 The dash-dash broken lines in the drawings depict portions of the closure that form no part of the claimed design.

1 Claim, 4 Drawing Sheets



(56)

References Cited

U.S. PATENT DOCUMENTS

4,290,466	A *	9/1981	Villa	B65D 75/5872				
						206/216			
D273,942	S *	5/1984	Brueck	D9/434				
D278,588	S *	4/1985	Knutson	D7/570				
D294,680	S *	3/1988	Pappert	D9/435				
D353,357	S *	12/1994	Weinberg	D12/197				
D354,914	S *	1/1995	Newman	D9/453				
D397,320	S *	8/1998	Hoagland, IV	D12/197				
6,047,710	A *	4/2000	Irving	A45C 13/008				
						132/293			
D433,329	S *	11/2000	Hampshire	D9/414				
D458,540	S *	6/2002	Clements	D9/516				
D467,803	S *	12/2002	Brown	D9/435				
D478,780	S *	8/2003	Lugo	D7/566				
D484,747	S *	1/2004	McMahon, III	D7/387				
D518,377	S *	4/2006	Kortleven						
D529,804	S *	10/2006	Lohrman	D9/453				
D544,425	S *	6/2007	Hutchison	D12/197				
D560,095	S *	1/2008	Bodum	D7/387				
D566,640	S *	4/2008	Holz	D12/197				
D622,124	S *	8/2010	Kegg	D8/83				
8,087,528	B1 *	1/2012	Scarlett	A47G 23/0216				
						220/23.89			
D662,869	S *	7/2012	Ballard	D12/213				
D673,005	S *	12/2012	Lion	D7/354				
D681,459	S *	5/2013	Ramsey	D9/452				
D684,455	S *	6/2013	Relyea	D8/397				
D698,260	S *	1/2014	Phelps	D9/682				
D710,699	S *	8/2014	Phelps	D9/452				
D755,633	S *	5/2016	Baughman	D9/452				
D756,280	S *	5/2016	Davito	D12/197				
D758,122	S *	6/2016	Simpson						
D759,342	S *	6/2016	Clements	D1/122				
D760,345	S *	6/2016	Campbell	D23/206				
D784,240	S *	4/2017	Platto	D12/213				
2015/0129600	A1 *	5/2015	Akers	B44D 3/127				
						220/700			

* cited by examiner

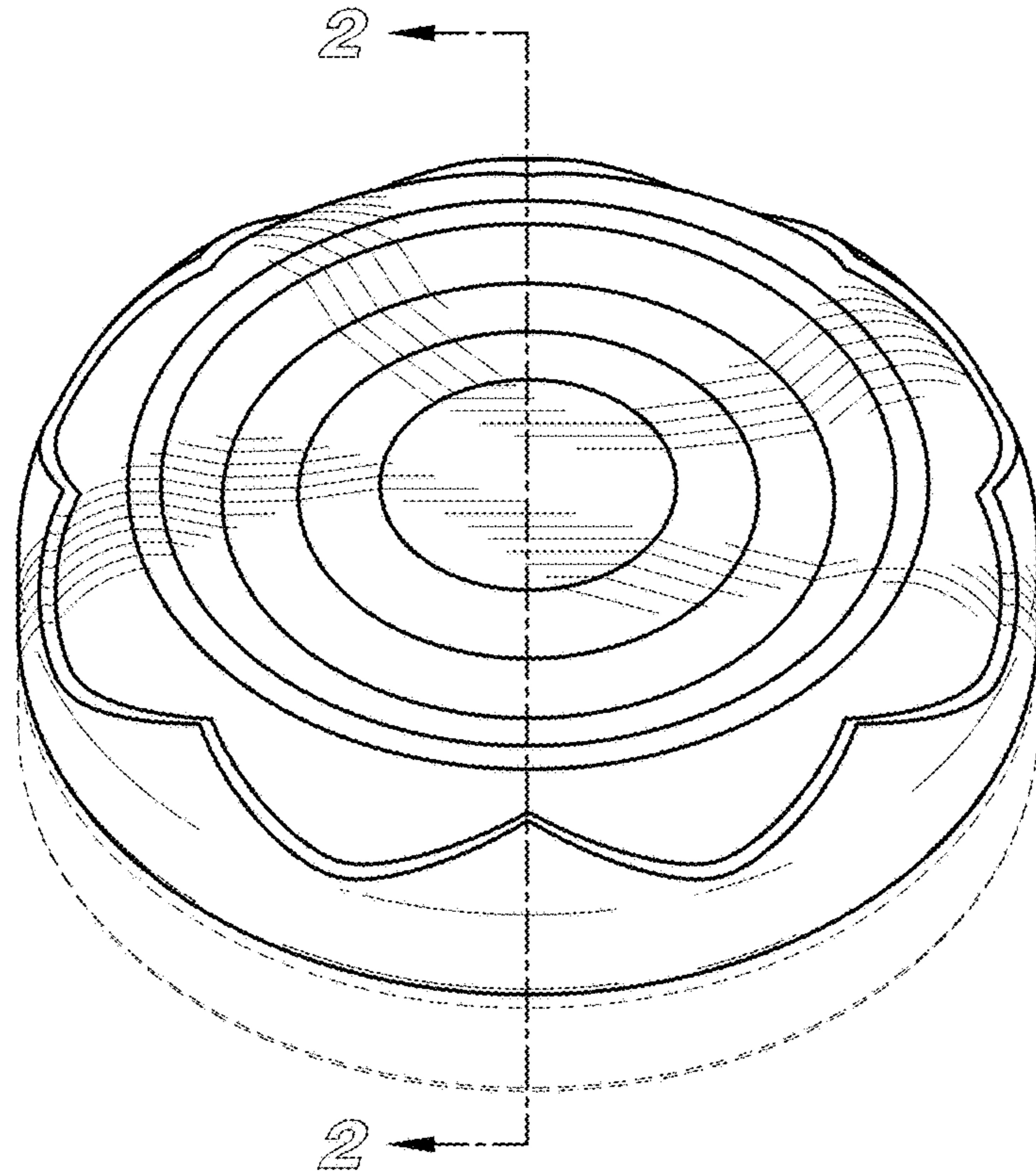


FIG. 1

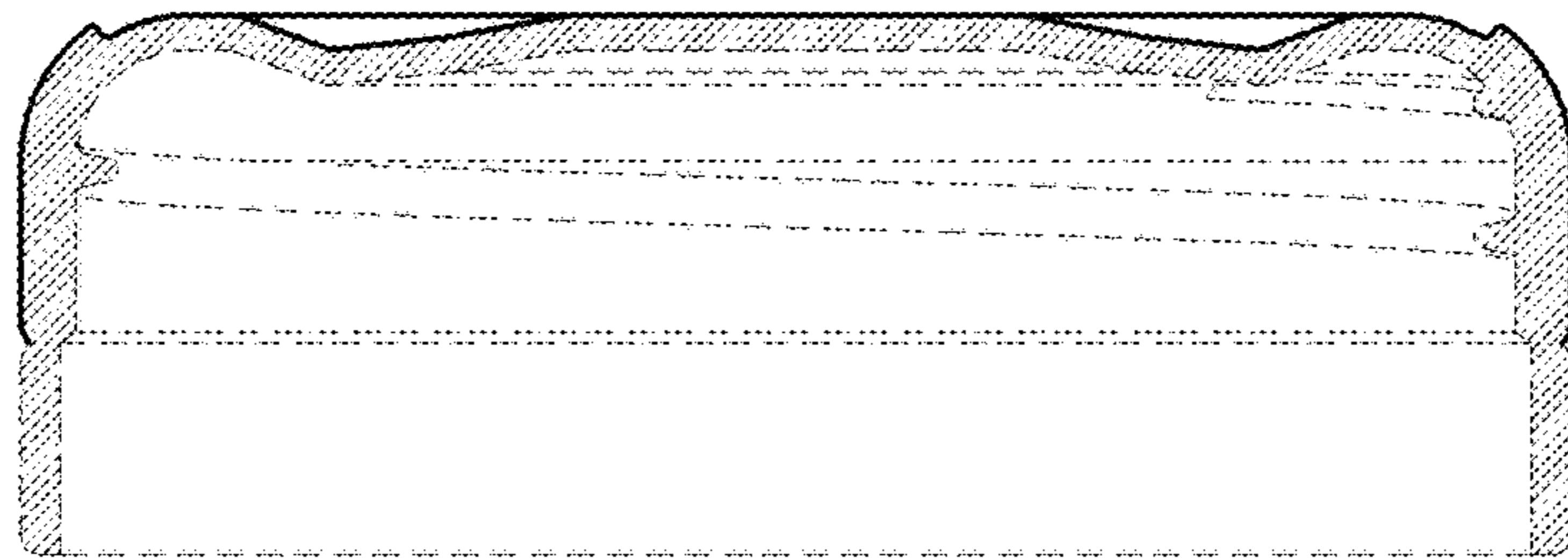


FIG. 2

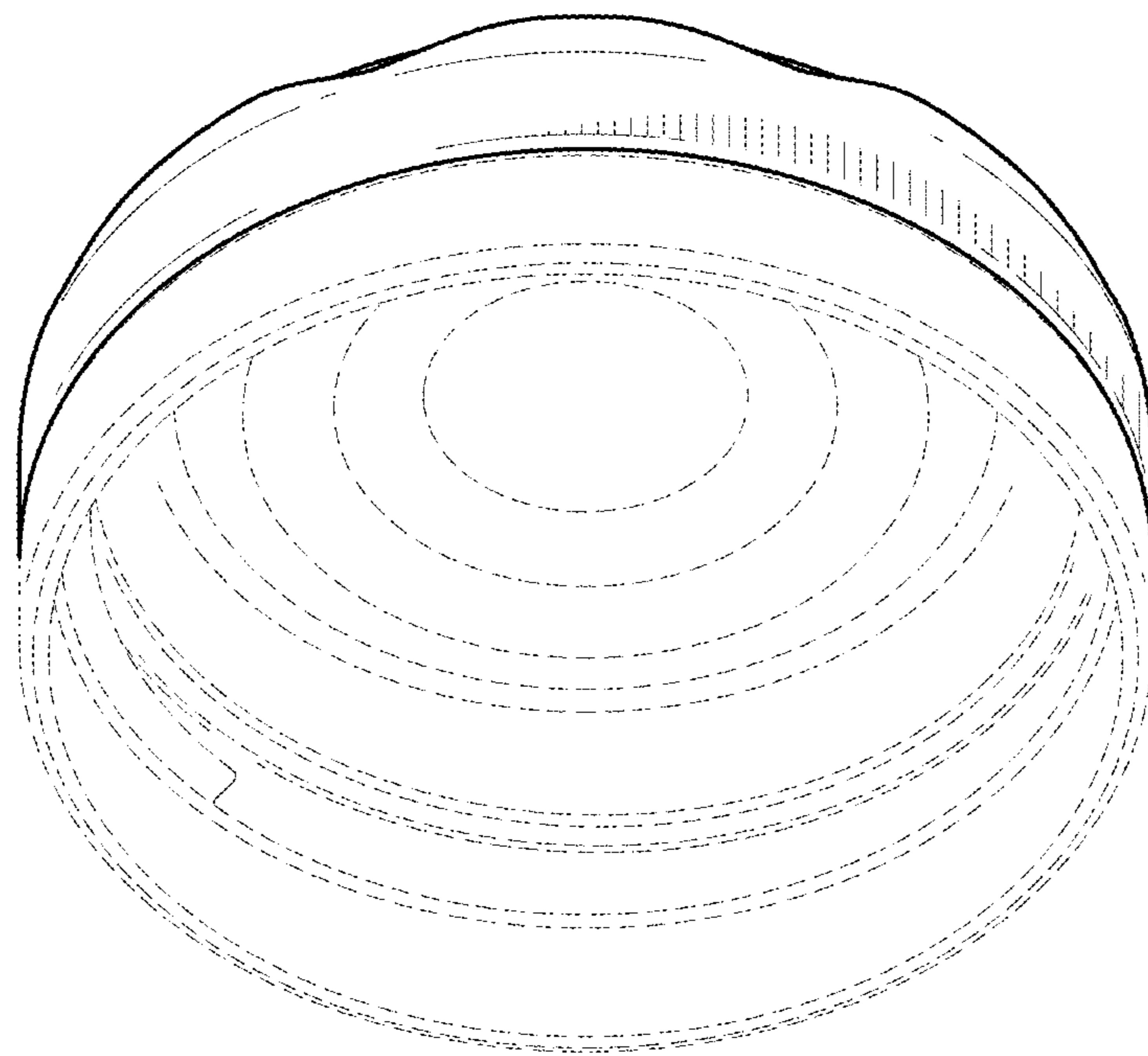


FIG. 3

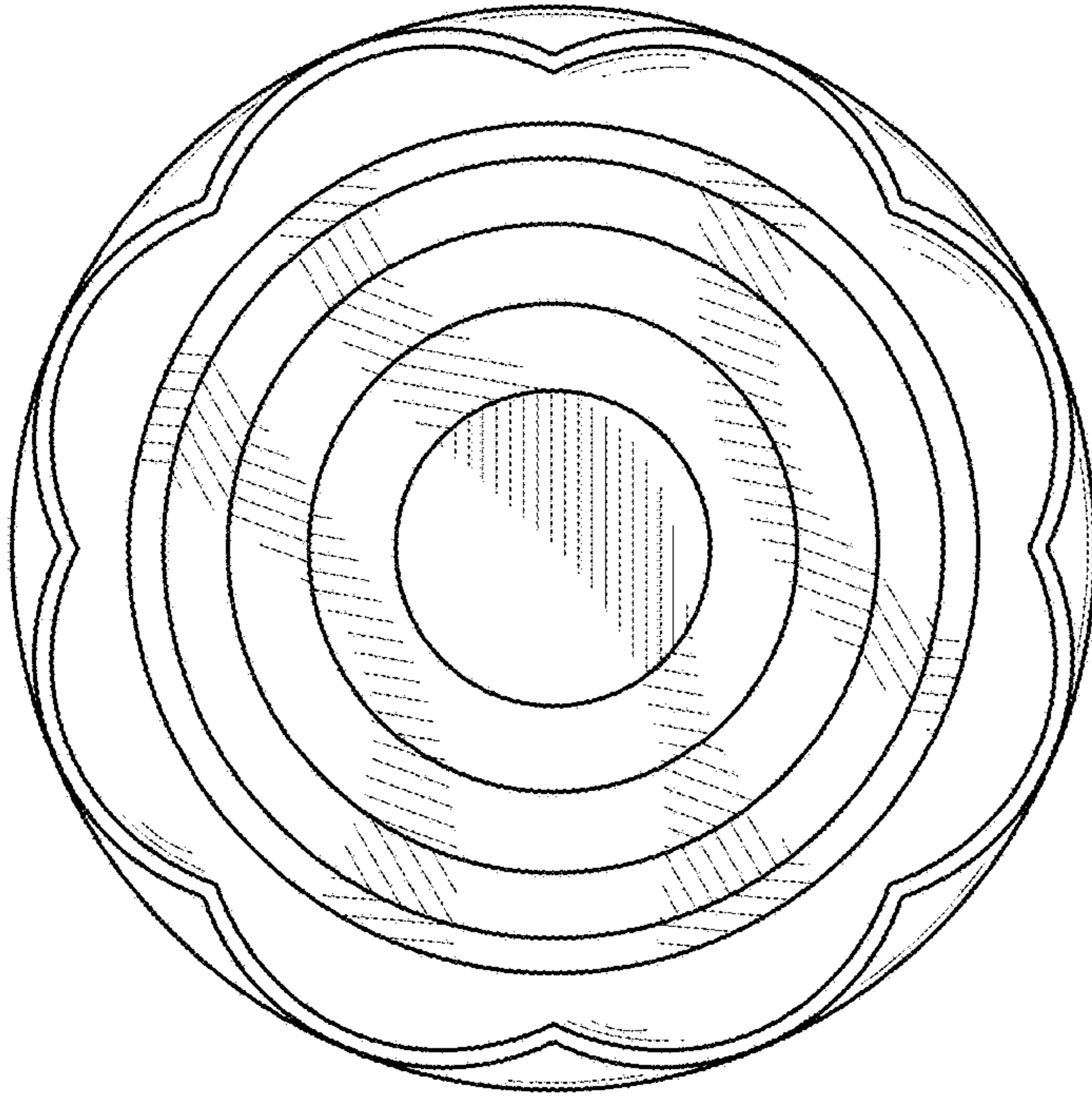


FIG. 4

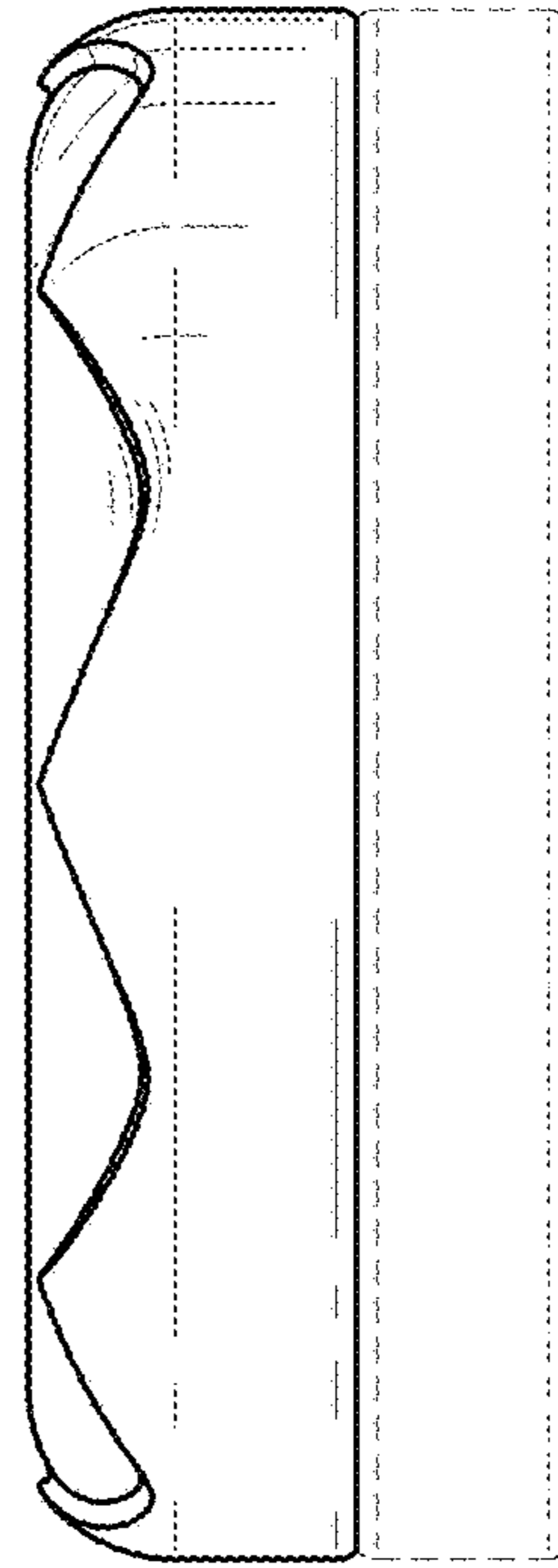


FIG. 6

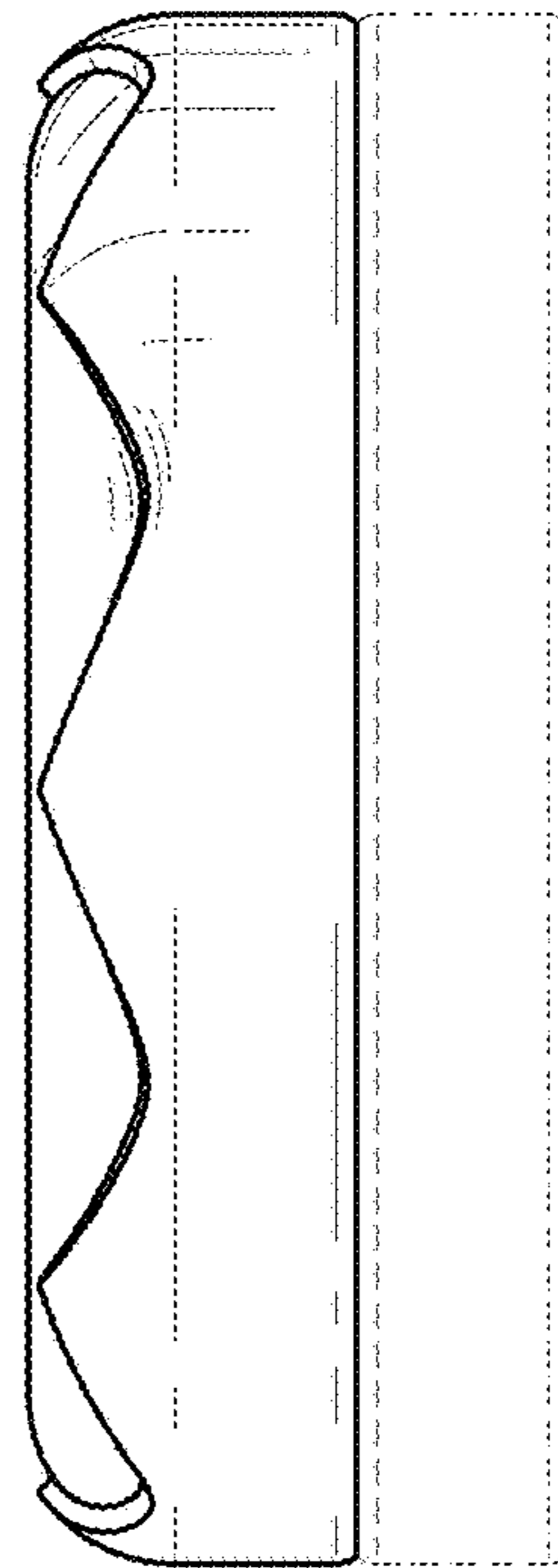


FIG. 5

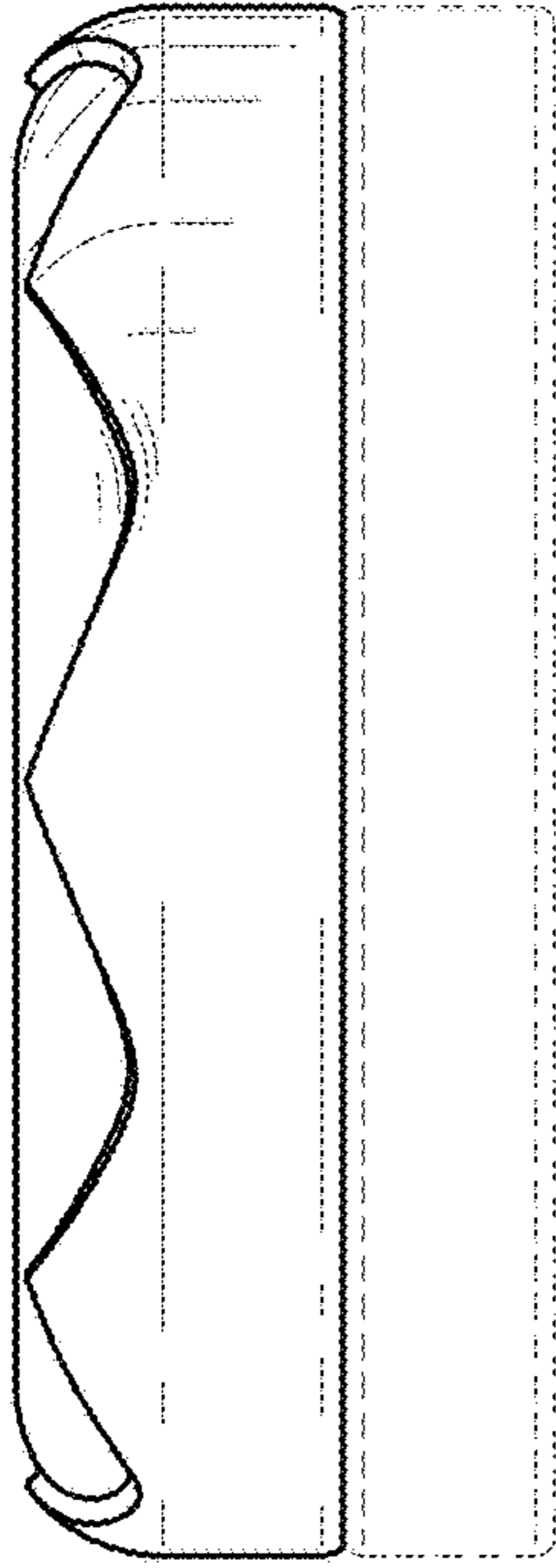


FIG. 8

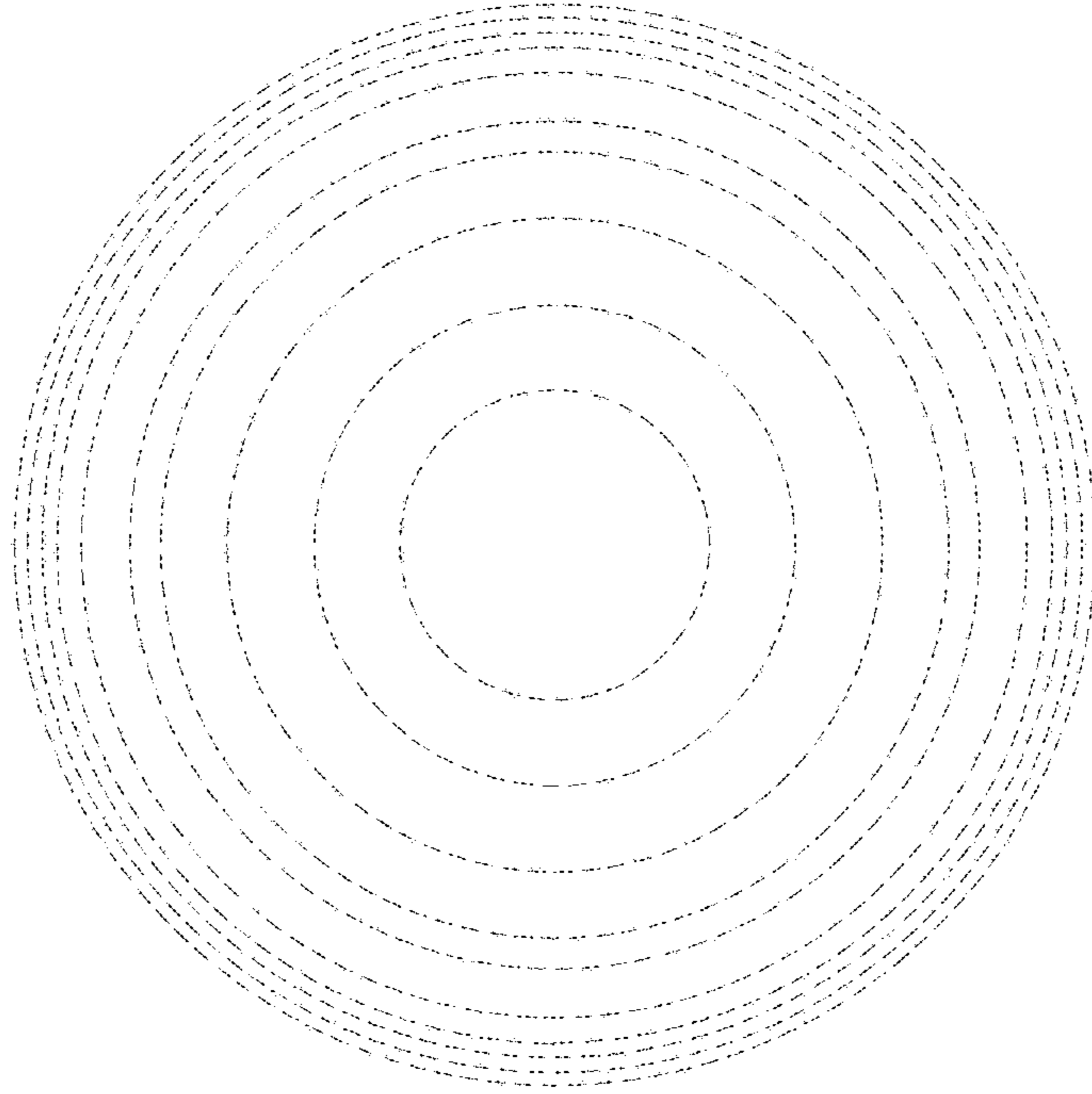


FIG. 9

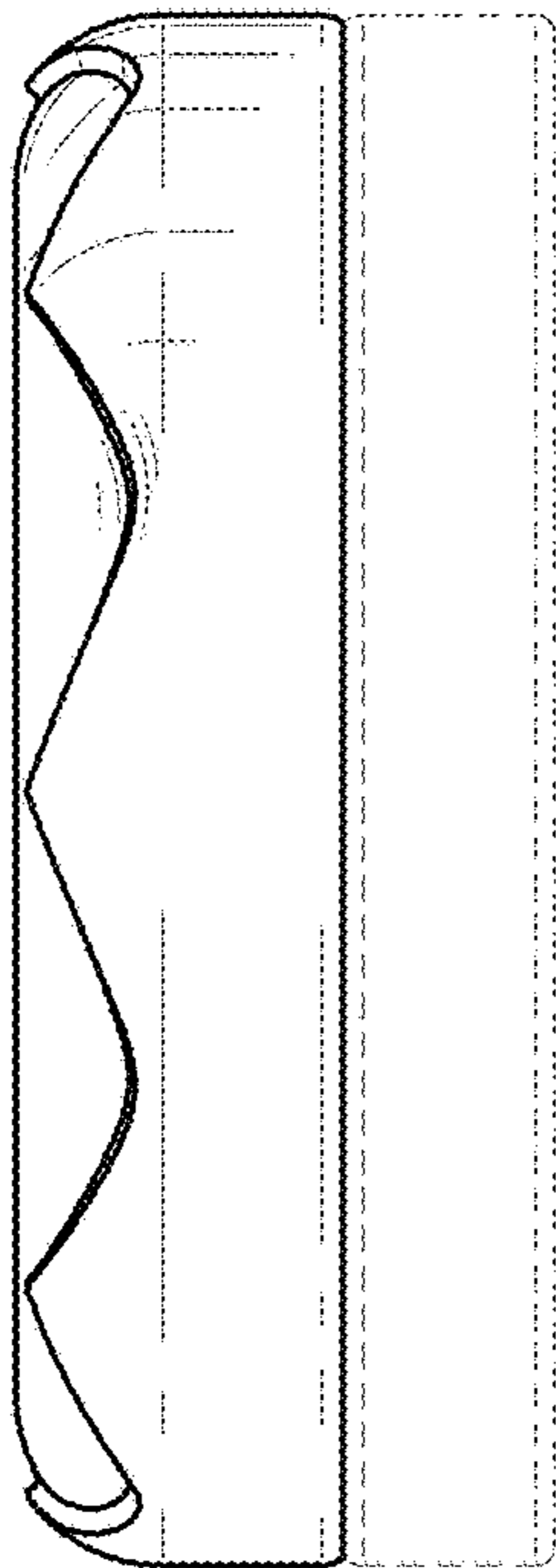


FIG. 7