



US00D840811S

(12) **United States Design Patent** (10) **Patent No.:** **US D840,811 S**
Holmes (45) **Date of Patent:** **** Feb. 19, 2019**

(54) **CLOSURE**

- (71) Applicant: **Closure Systems International Inc.**,
Lake Forest, IL (US)
- (72) Inventor: **Larry Holmes**, Fishers, IN (US)
- (73) Assignee: **Closure Systems International Inc.**,
Lake Forest, IL (US)
- (**) Term: **15 Years**
- (21) Appl. No.: **29/661,753**
- (22) Filed: **Aug. 30, 2018**

Related U.S. Application Data

- (62) Division of application No. 29/594,653, filed on Feb. 21, 2017, now Pat. No. Des. 830,170.
- (51) **LOC (11) Cl.** **09-07**
- (52) **U.S. Cl.**
USPC **D9/443; D9/452**
- (58) **Field of Classification Search**
USPC D9/414, 415, 424, 425, 434, 435, 436,
D9/443, 444-452, 454-456, 499, 529,
D9/682, 685, 686; D7/387, 391, 392,
D7/392.1, 396.1, 396.2, 396.3, 396.4,
D7/397, 398, 401.1, 507, 509-511, 538,
D7/900; D3/202, 203.2; D28/91, 91.1;
D12/197; D23/249, 260
CPC .. A61J 1/00; A61J 1/1412; B65D 1/00; B65D
1/02; B65D 1/10; B65D 1/46; B65D
2585/56; B65D 2585/545; B65D 41/00;
B65D 41/38; B65D 41/56; B65D 41/62;
B65D 47/00; B65D 47/06; B65D 47/08;
B65D 2543/00046; B65D 2543/00092;
B65D 2543/00296; B65D 5/46; B65D
2251/00

See application file for complete search history.

(56) **References Cited**

U.S. PATENT DOCUMENTS

D120,154 S *	4/1940	Carson	D13/119
D120,155 S *	4/1940	Carson	D13/119
D148,252 S *	12/1947	Rausch	D23/250
D175,538 S *	9/1955	Dawson	D23/250
D252,208 S *	6/1979	Ooya	D16/219
D294,680 S *	3/1988	Pappert	D9/435
6,047,710 A *	4/2000	Irving	A45C 13/008 132/293
D518,377 S *	4/2006	Kortleven	D3/323
D566,640 S *	4/2008	Holz	D12/197
D678,503 S *	3/2013	Schmidt	D24/108

(Continued)

Primary Examiner — Michael A. Pratt
Assistant Examiner — Wendy L Arminio
 (74) *Attorney, Agent, or Firm* — Nixon Peabody LLP

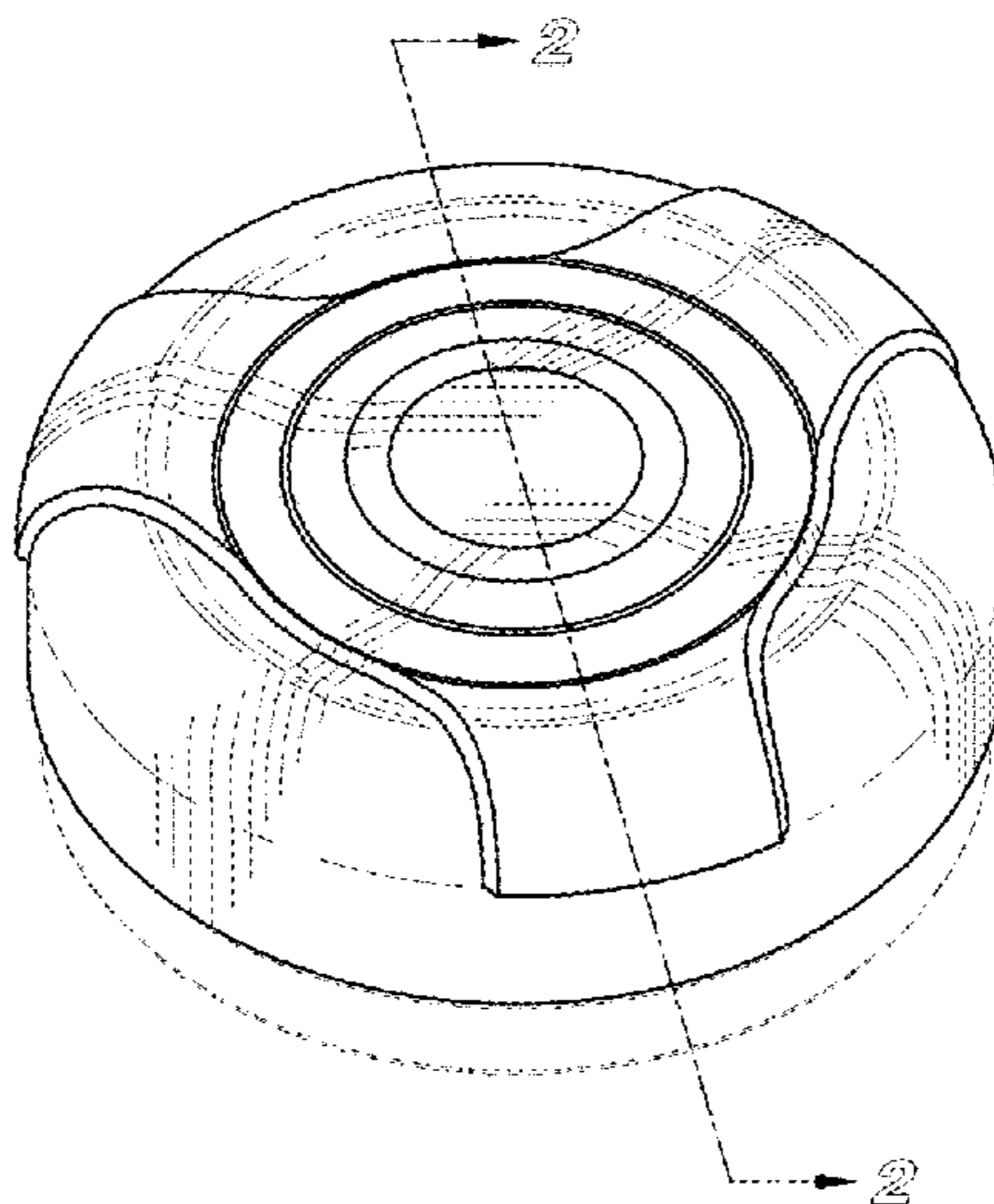
(57) **CLAIM**

The ornamental design for a closure, as shown and described.

DESCRIPTION

FIG. 1 is a top-perspective view of a closure;
 FIG. 2 is a side cross-sectional view of the closure of FIG. 1 taken in the direction of line 2-2;
 FIG. 3 is a bottom-perspective view of the closure of FIG. 1;
 FIG. 4 is a top plan view of the closure of FIG. 1;
 FIG. 5 is a left side elevation view of the closure of FIG. 1;
 FIG. 6 is a right side elevation view of the closure of FIG. 1;
 FIG. 7 is a front elevation view of the closure of FIG. 1;
 FIG. 8 is a back elevation view of the closure of FIG. 1; and,
 FIG. 9 is a bottom plan view of the closure of FIG. 1.
 The dash-dash broken lines in the drawings depict portions of the closure that form no part of the claimed design.

1 Claim, 4 Drawing Sheets



(56)

References Cited

U.S. PATENT DOCUMENTS

D679,181	S *	4/2013	Vogel	D9/443
D711,745	S *	8/2014	Humm	D9/449
D714,144	S *	9/2014	Vogel	D9/443
D718,133	S *	11/2014	Fraser	D9/436
8,955,705	B2 *	2/2015	Vogel	B65D 47/265
					220/253
D732,662	S *	6/2015	Shubin, Sr.	D24/121
D734,093	S *	7/2015	Munari	D7/393
D735,567	S *	8/2015	Kishida	D8/387
D755,633	S *	5/2016	Baughman	D9/452
D758,122	S *	6/2016	Simpson	B65D 43/0212
					D7/325
D784,240	S *	4/2017	Platto	D12/213
D823,688	S *	7/2018	Diehl	D9/502
2015/0129600	A1 *	5/2015	Akers	B44D 3/127
					220/700

* cited by examiner

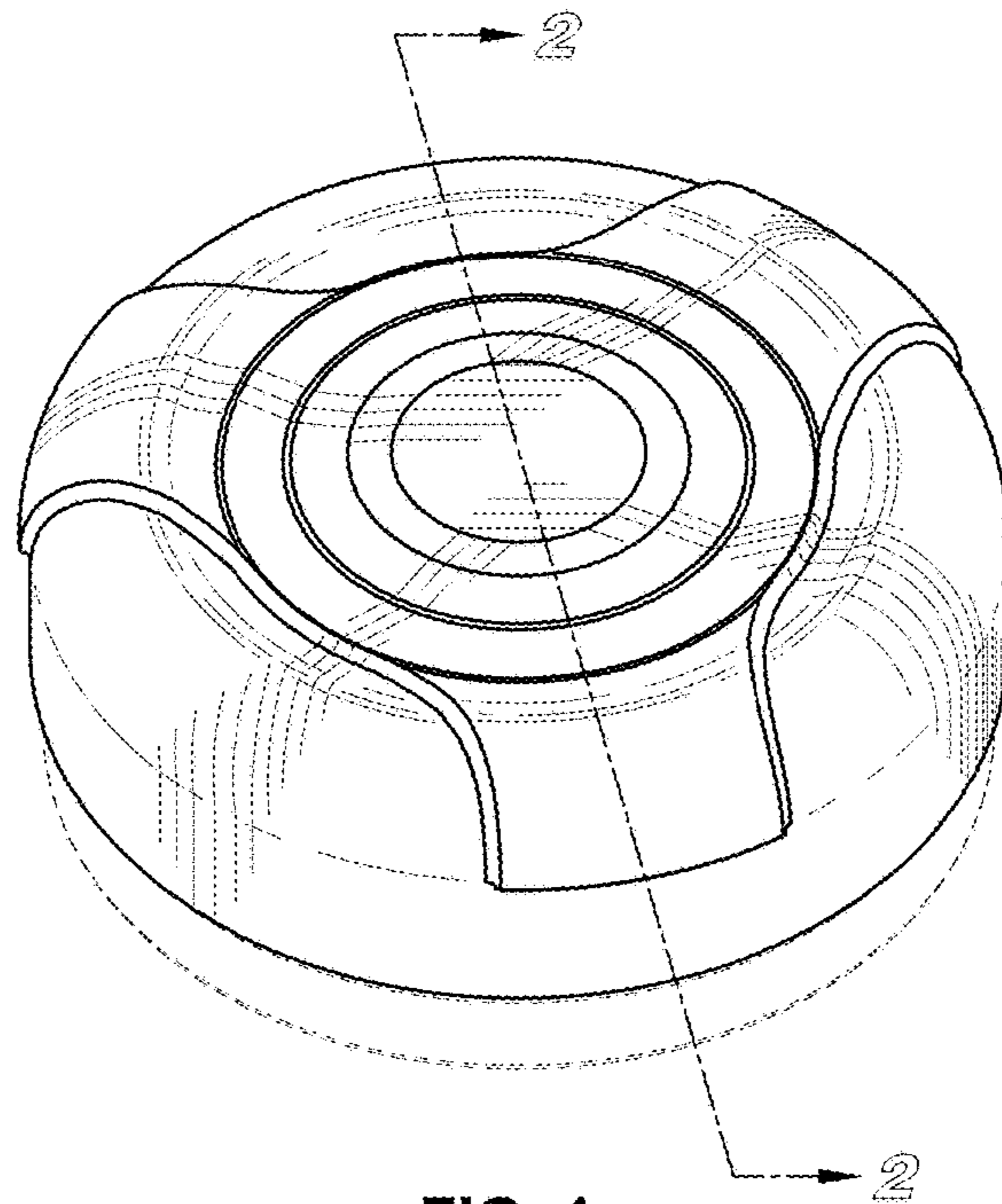


FIG. 1

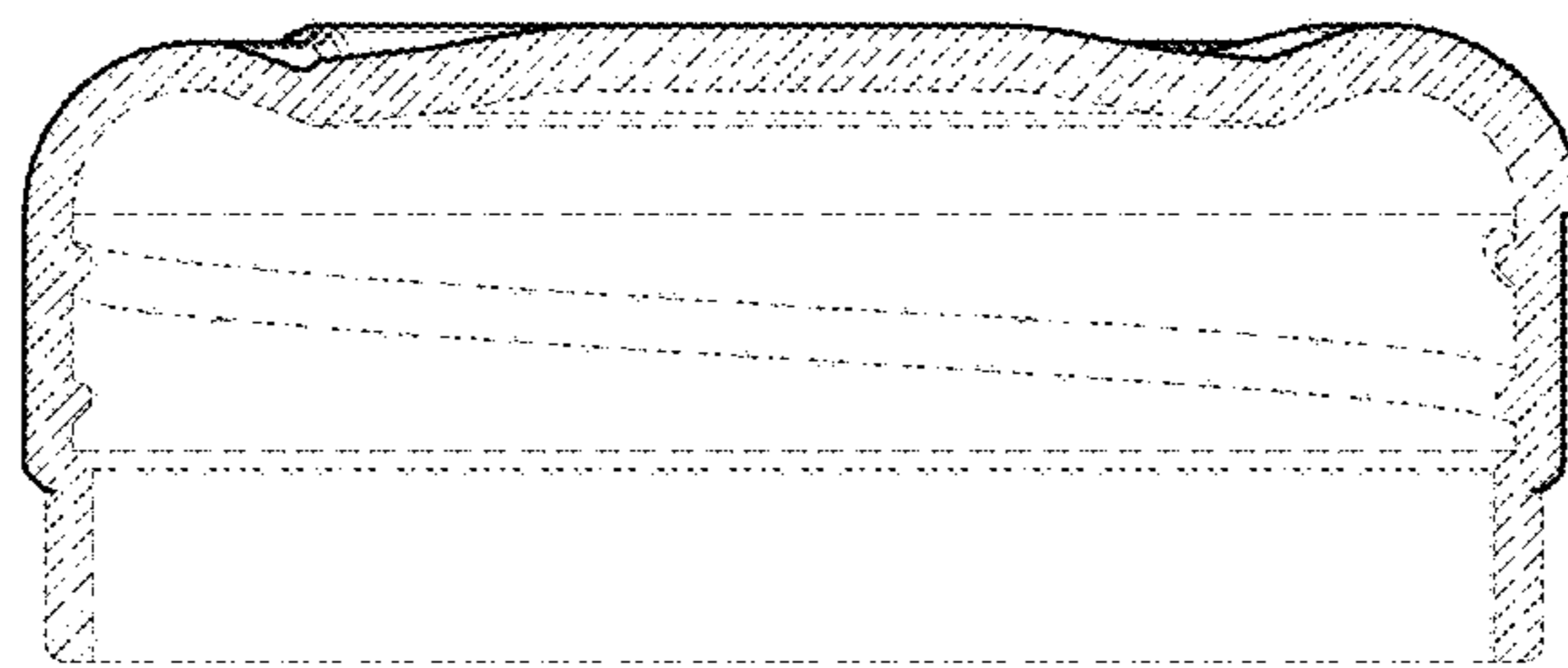


FIG. 2

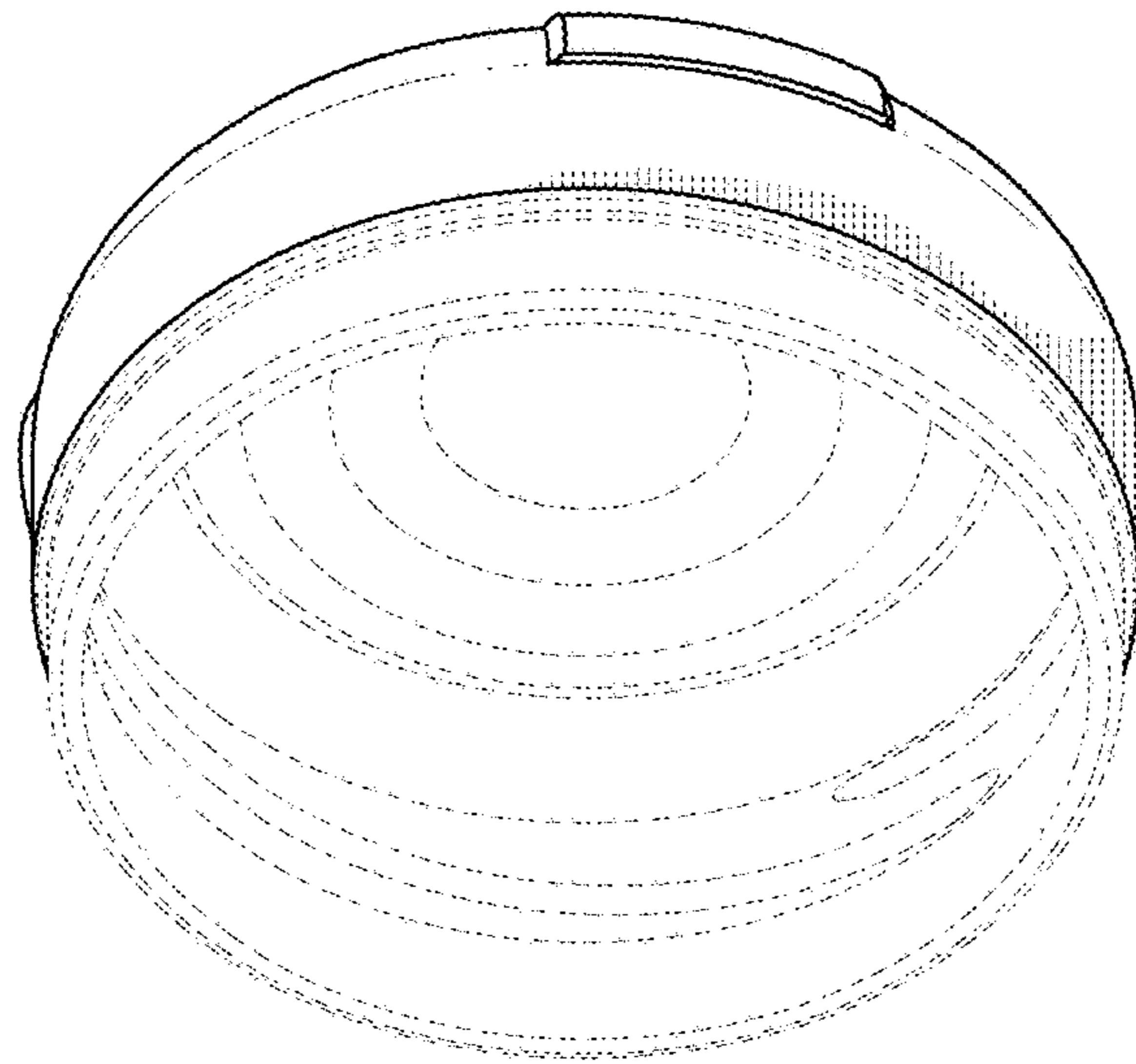


FIG. 3

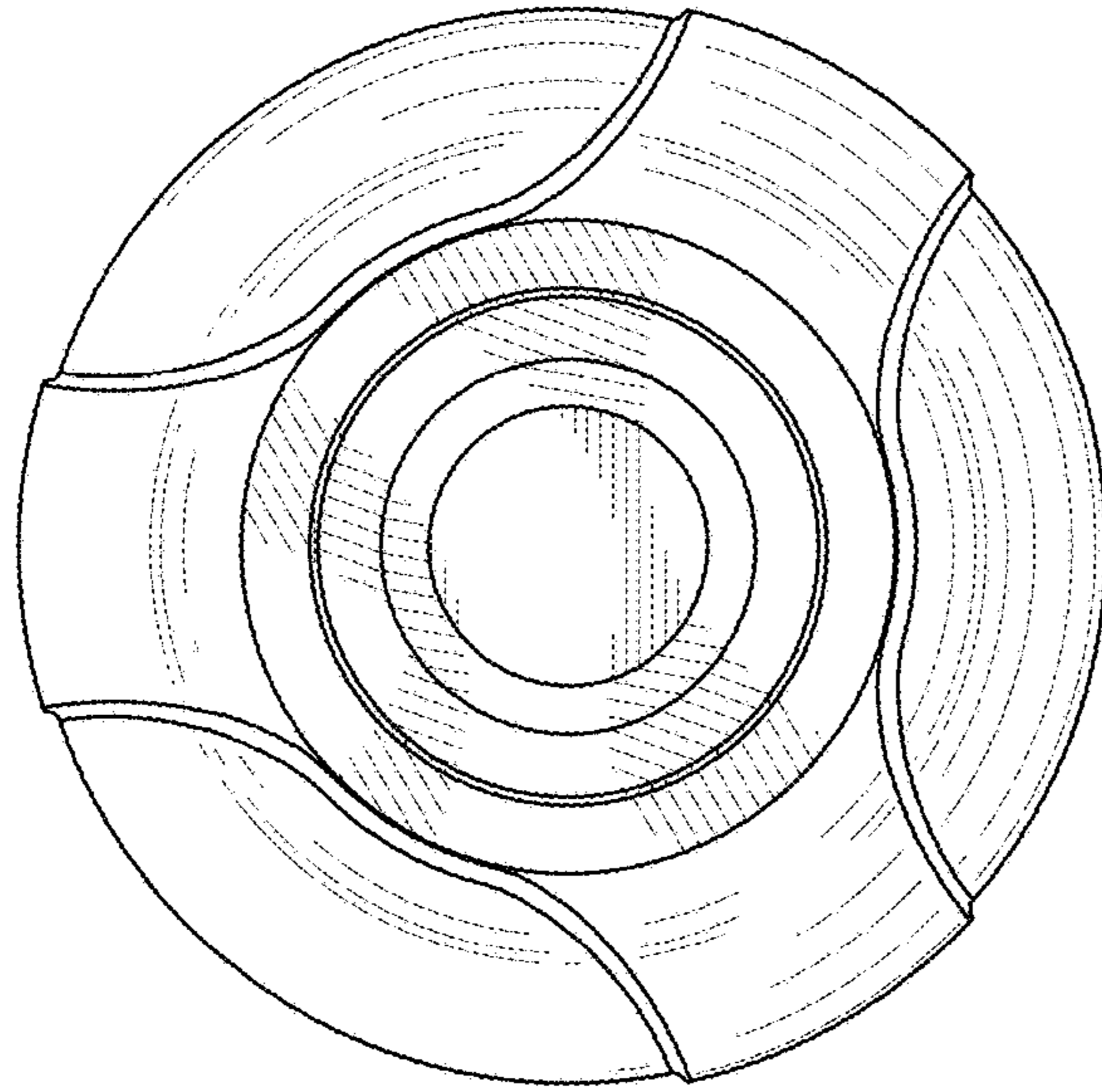


FIG. 4

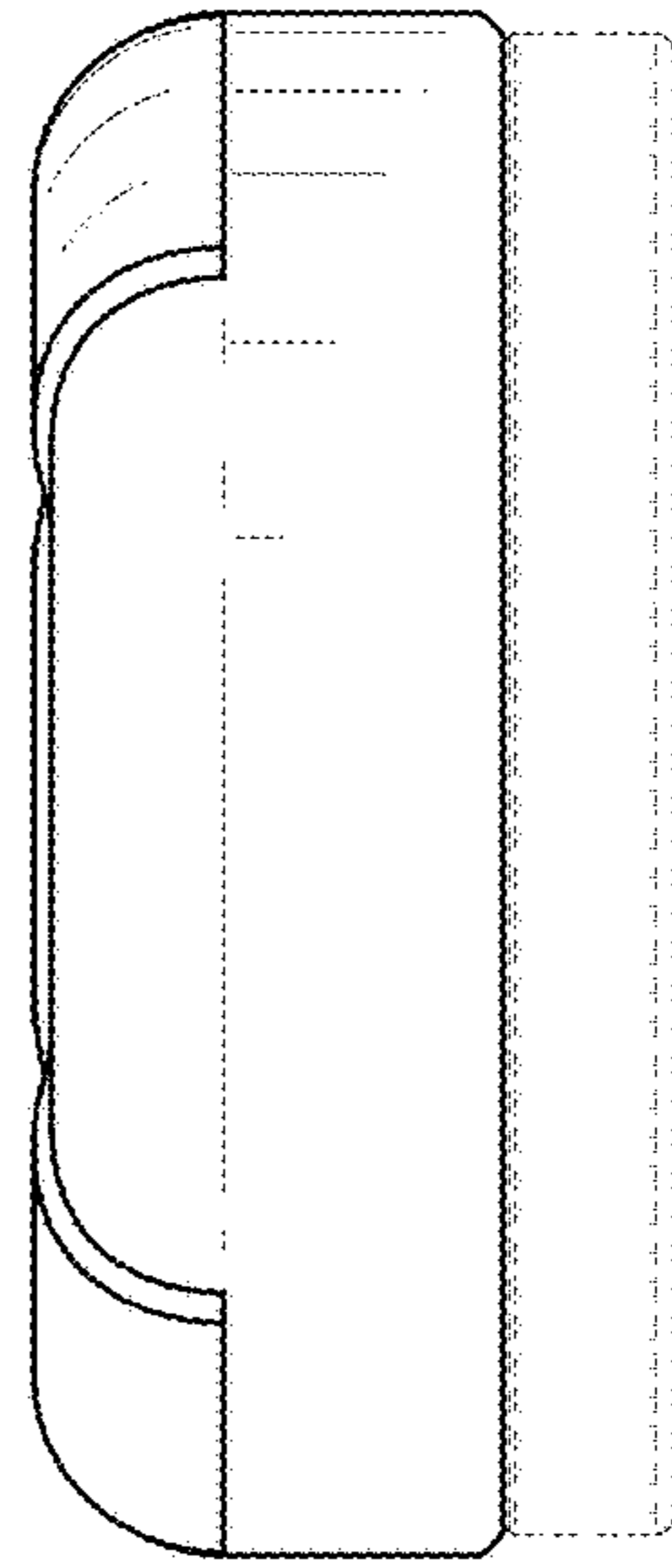


FIG. 6

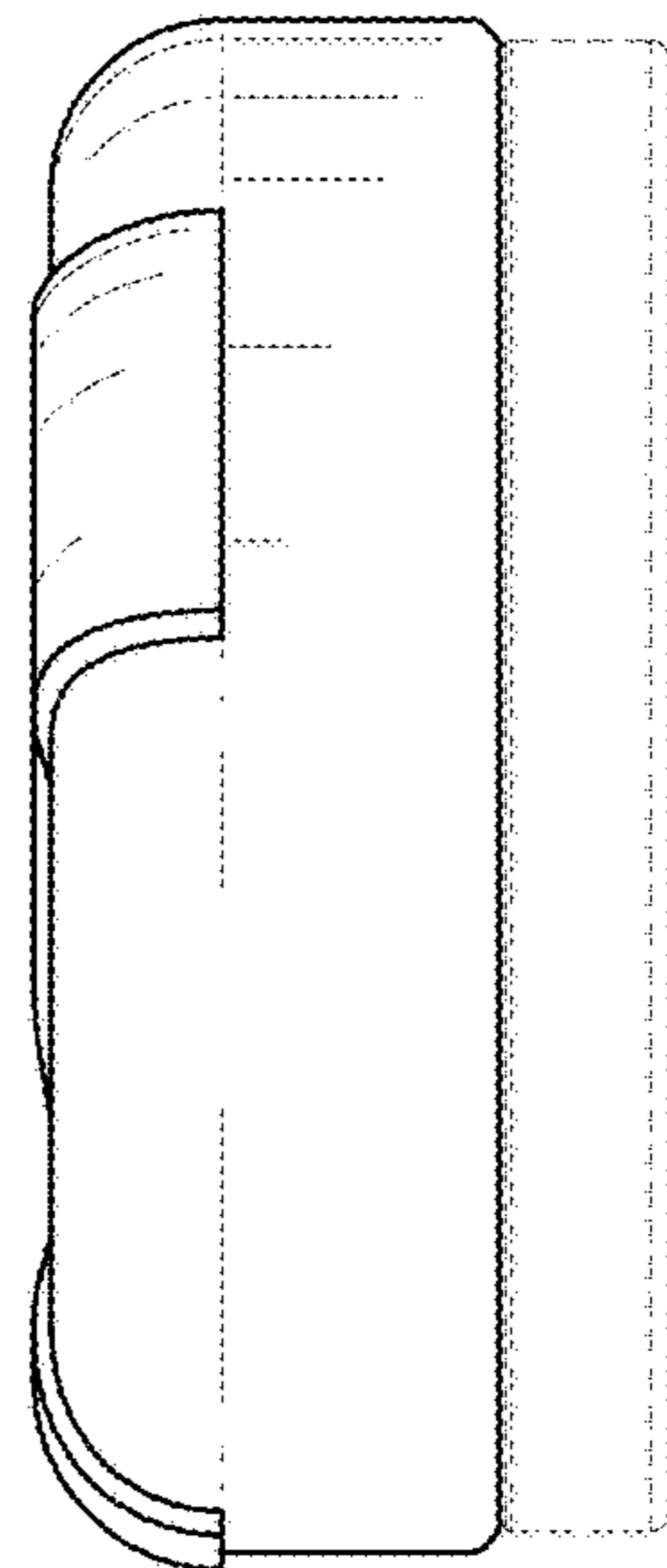


FIG. 5

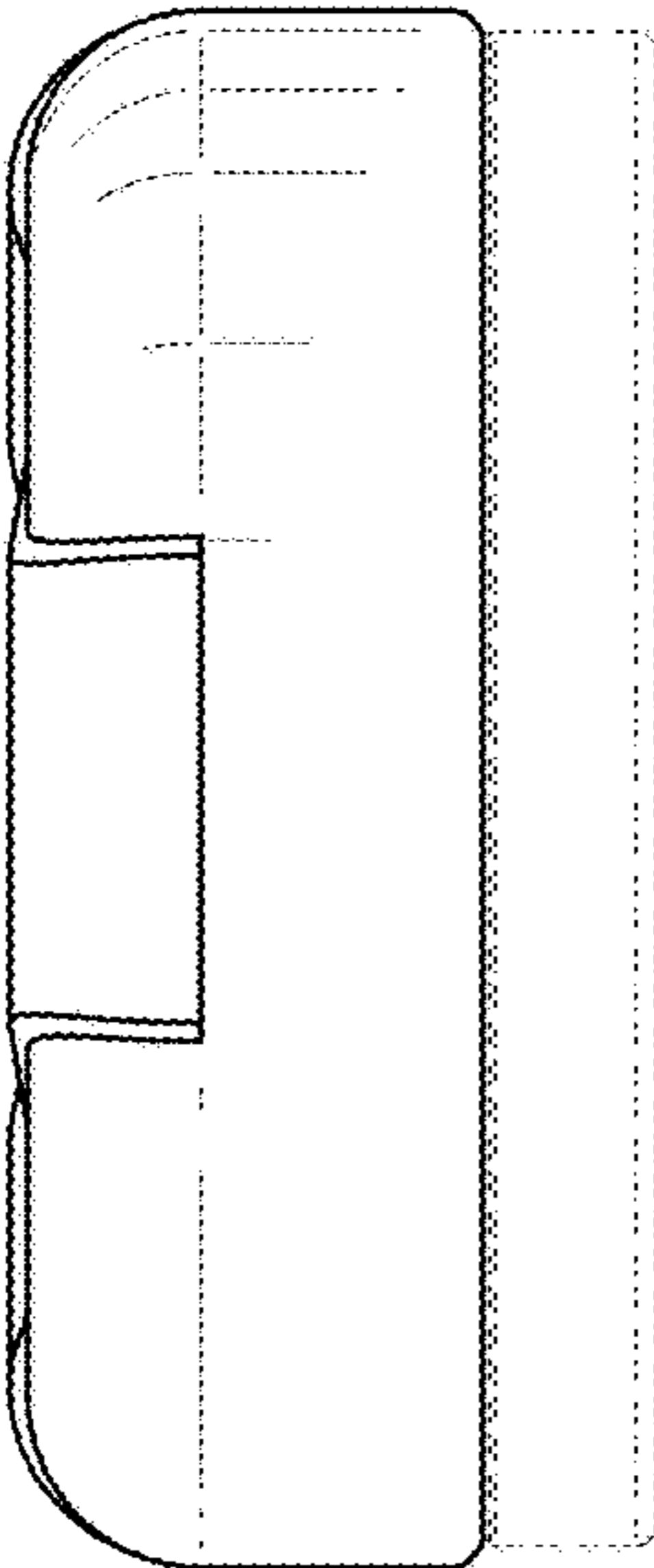


FIG. 8

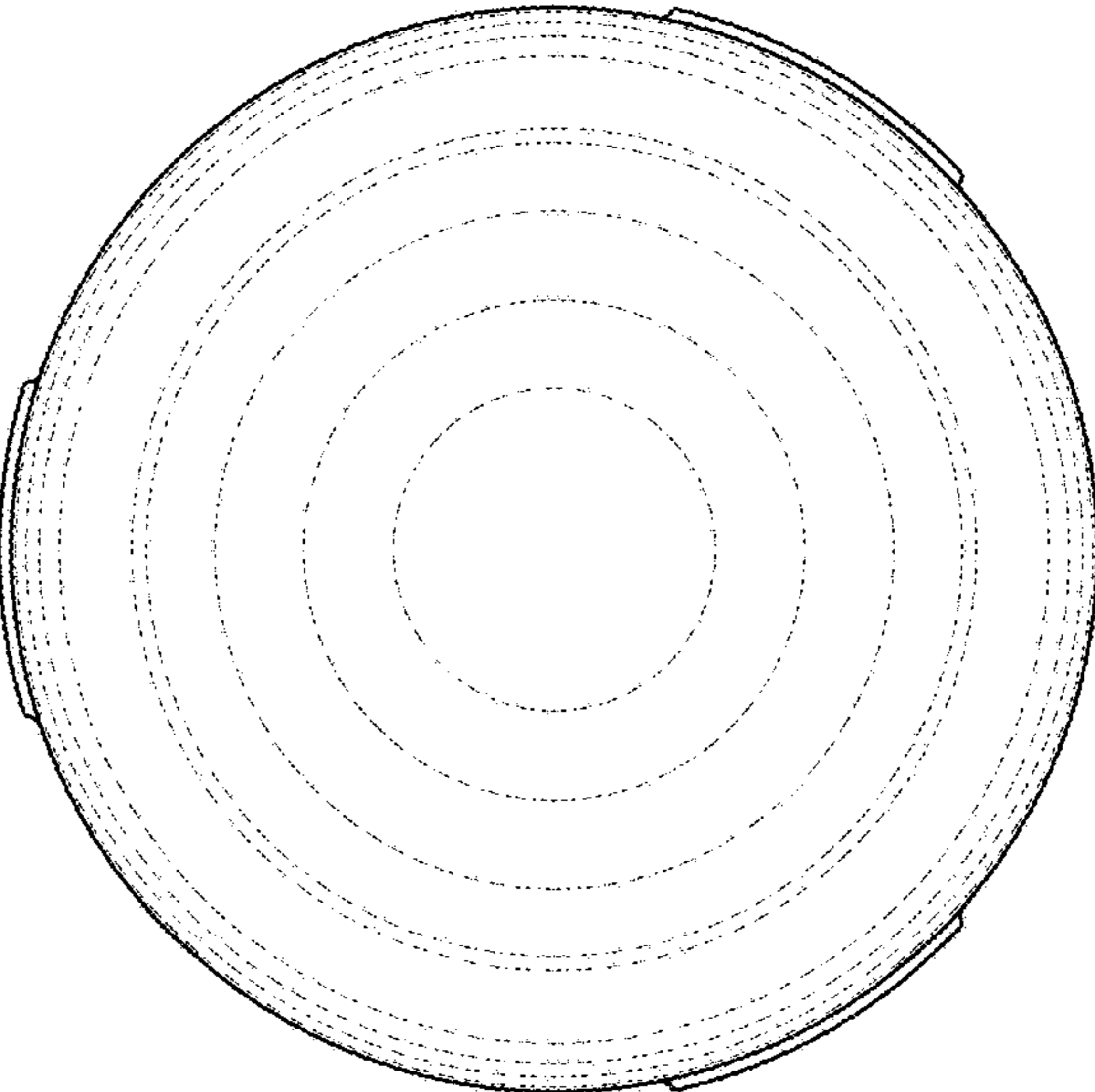


FIG. 9

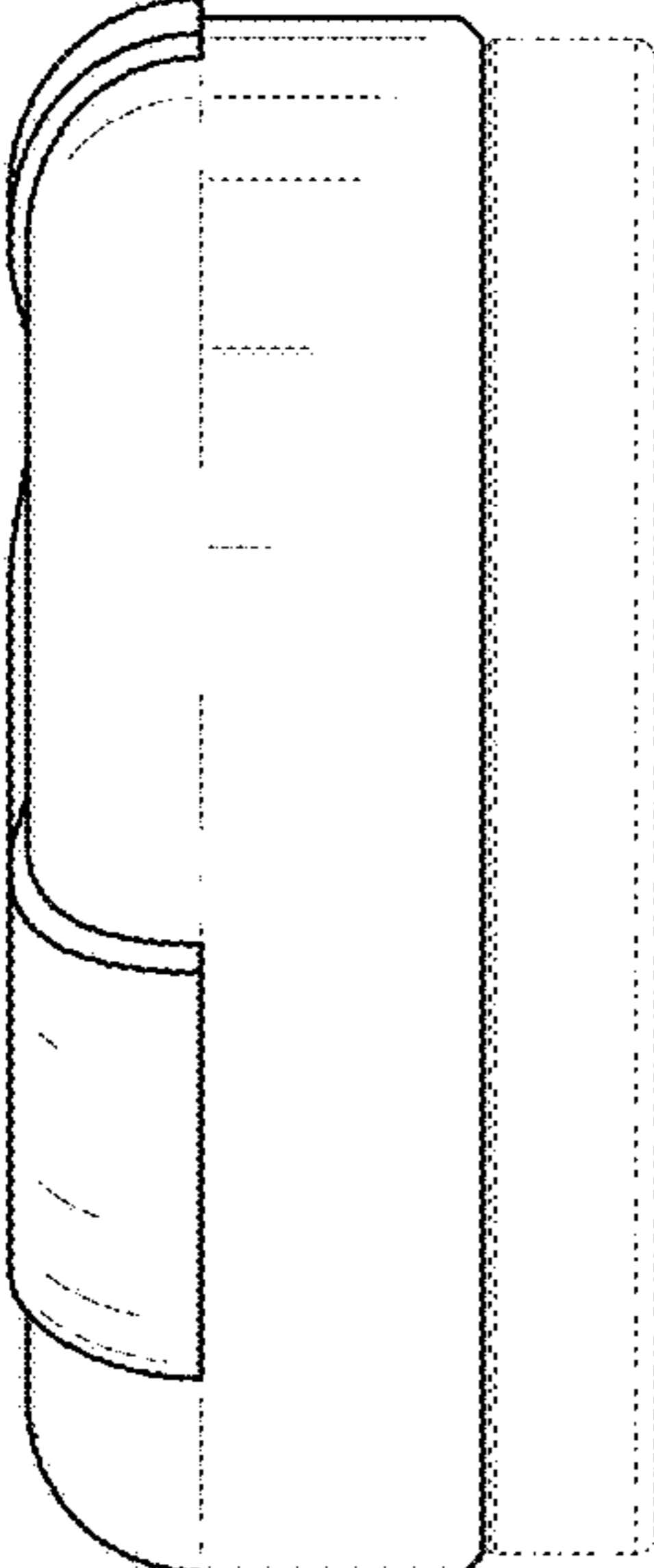


FIG. 7