

US00D840810S

(12) **United States Design Patent** (10) **Patent No.:** **US D840,810 S**
Omdahl, II et al. (45) **Date of Patent:** **** Feb. 19, 2019**

(54) **LID**
(71) Applicant: **Runway Blue, LLC**, Lehi, UT (US)
(72) Inventors: **John R. Omdahl, II**, Lindon, UT (US);
David O. Meyers, East Layton, UT (US)
(73) Assignee: **Runway Blue, LLC**, Alpine, UT (US)
(**) Term: **15 Years**
(21) Appl. No.: **29/590,135**
(22) Filed: **Jan. 6, 2017**
(51) **LOC (11) Cl.** **09-07**
(52) **U.S. Cl.**
USPC **D9/443**
(58) **Field of Classification Search**
USPC D3/202; D7/392, 392.1, 396.2, 511, 601,
D7/602, 619.1, 620-622; D9/434-436,
D9/438, 440, 443, 447, 452-454, 499,
D9/449
CPC B65D 41/04; B65D 41/34; B65D 41/3438;
B65D 41/0471; B65D 47/12; B65D
47/122; B65D 51/1688
See application file for complete search history.

D762,116 S * 7/2016 Prendergast-Kelly D9/443
D767,328 S * 9/2016 Boroski D7/392.1
D781,146 S * 3/2017 Seiders D7/392.1
D786,671 S * 5/2017 Khetarpaul D7/394
D795,009 S * 8/2017 Alprin D7/392.1
D801,173 S * 10/2017 Lown D9/449
D801,174 S * 10/2017 Lown D9/449
D804,304 S * 12/2017 Pearson D9/443
D808,213 S * 1/2018 Lown D7/396.2

OTHER PUBLICATIONS

Amazon. Cool Gear 32 oz EZ-Freeze Gel Solstice Water Bottle. Mar. 11, 2012 [earliest online date], [site visited Feb. 1, 2018]. Available from Internet, <URL:https://goo.gl/5sDSKq>. (Year: 2012).*

* cited by examiner

Primary Examiner — George D. Kirschbaum
Assistant Examiner — DArcey E Heflin
(74) *Attorney, Agent, or Firm* — Maschoff Brennan; Paul G. Johnson

(57) **CLAIM**

The ornamental design for a lid, as shown and described.

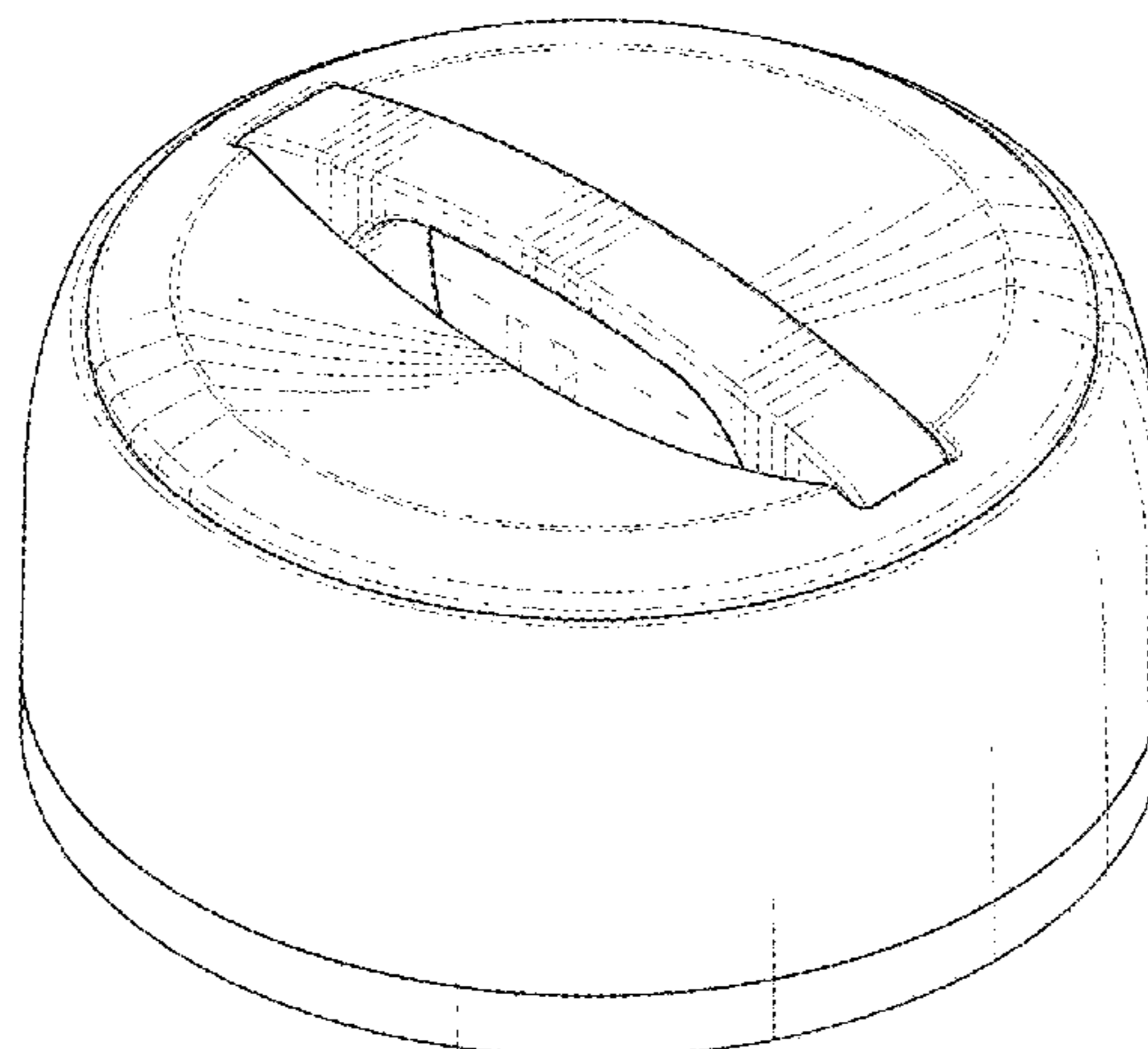
DESCRIPTION

FIG. 1 is a top perspective view of a lid;
FIG. 2 is a front view of the lid shown in FIG. 1;
FIG. 3 is a rear view of the lid shown in FIG. 1;
FIG. 4 is a left side view of the lid shown in FIG. 1;
FIG. 5 is a right side view of the lid shown in FIG. 1;
FIG. 6 is a top view of the lid shown in FIG. 1; and,
FIG. 7 is a bottom view of the lid shown in FIG. 1.
The broken lines are shown for the purpose of illustrating environmental structure and parts of the article that form no part of the claimed design.

1 Claim, 7 Drawing Sheets

(56) **References Cited**
U.S. PATENT DOCUMENTS

D396,380 S * 7/1998 Lai D7/392
D456,669 S * 5/2002 Munari D7/392.1
D543,776 S * 6/2007 Yelland D7/392.1
D568,740 S * 5/2008 Williams D9/436
D688,093 S * 8/2013 Roth D7/392.1
D720,218 S * 12/2014 Hutson D9/443
D735,578 S * 8/2015 Mazurkiewicz D9/443
D758,859 S * 6/2016 Sorensen D7/393
D760,080 S * 6/2016 Gorbald D9/443



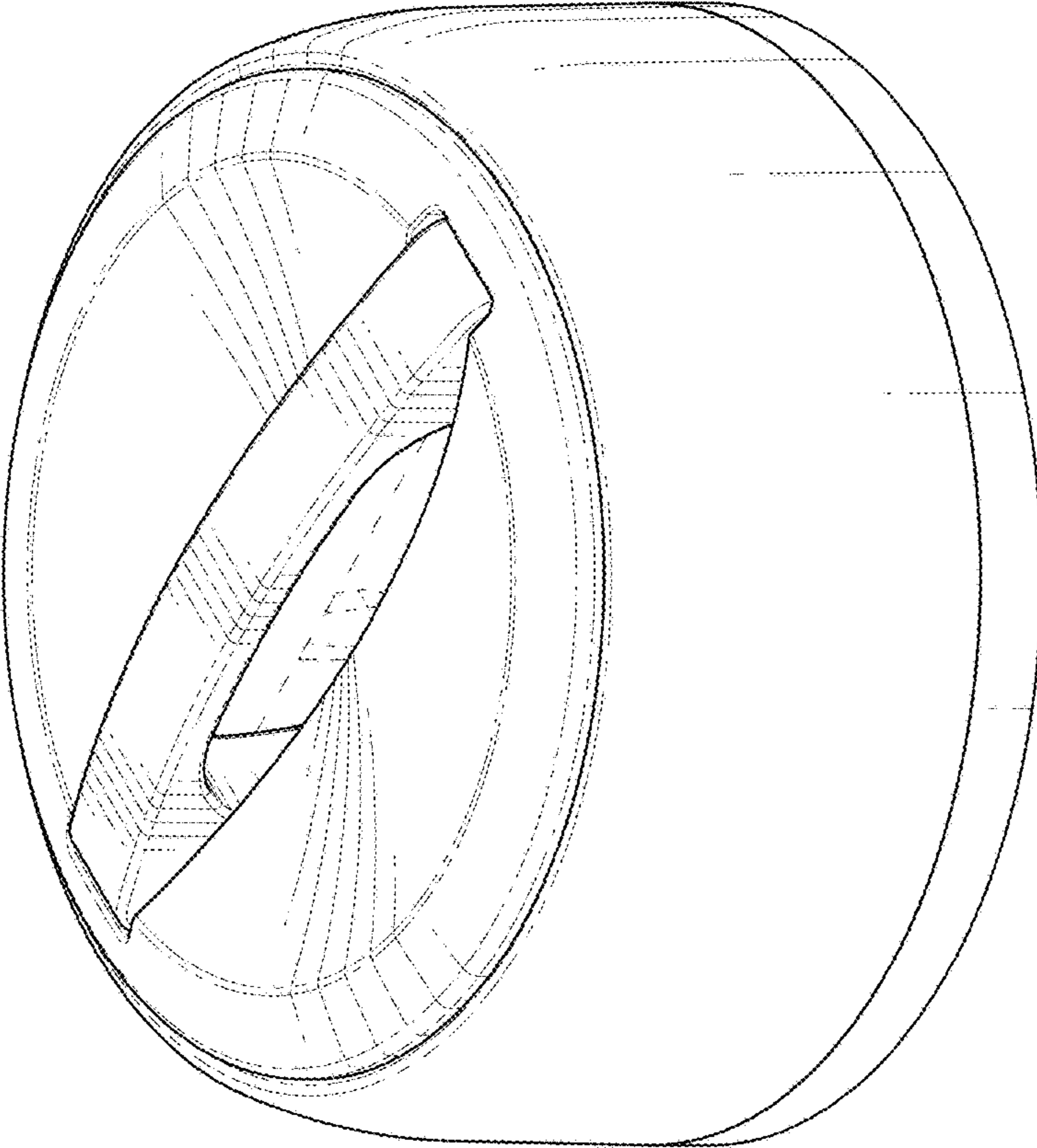


FIG. 1

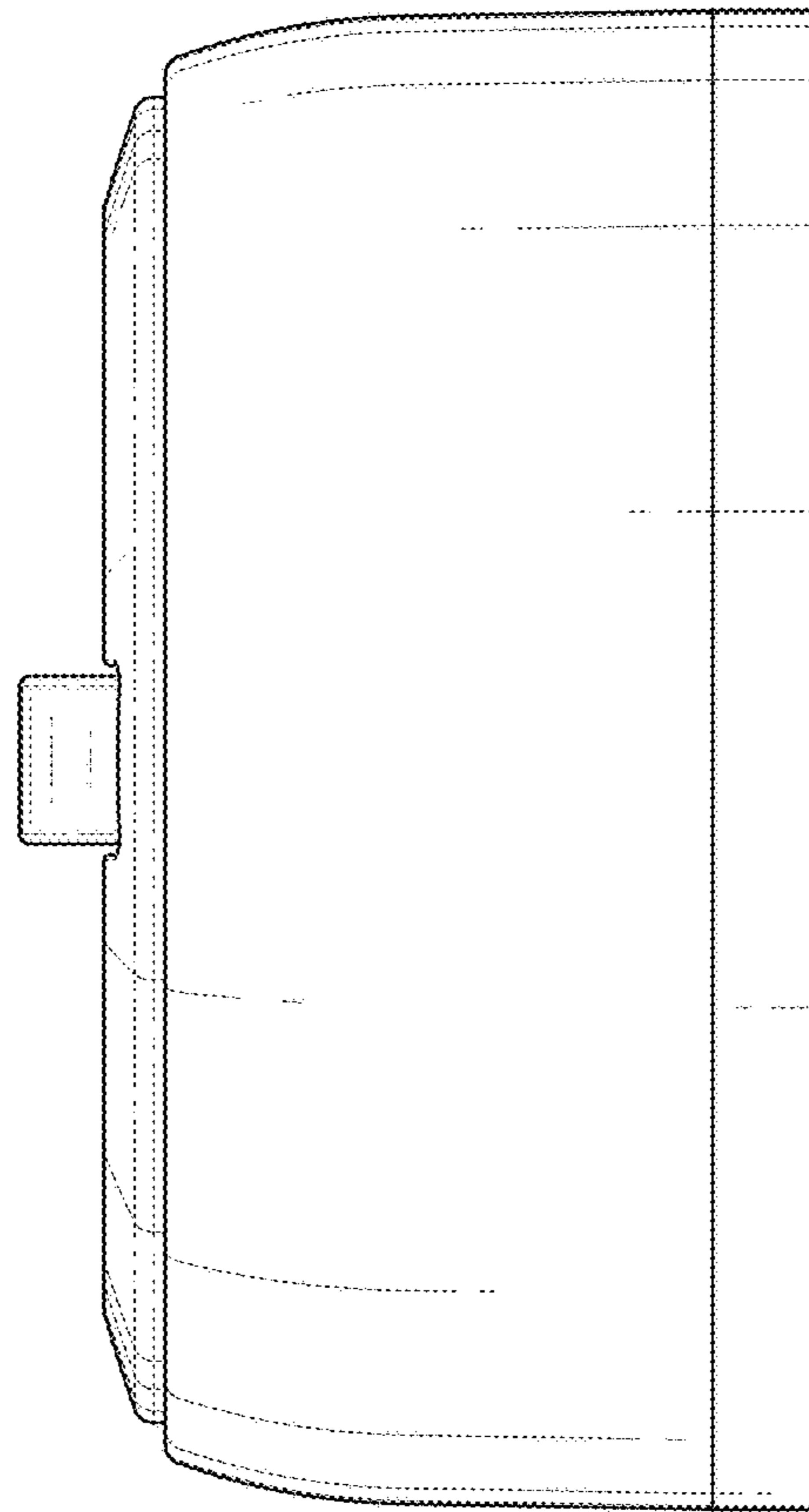


FIG. 2

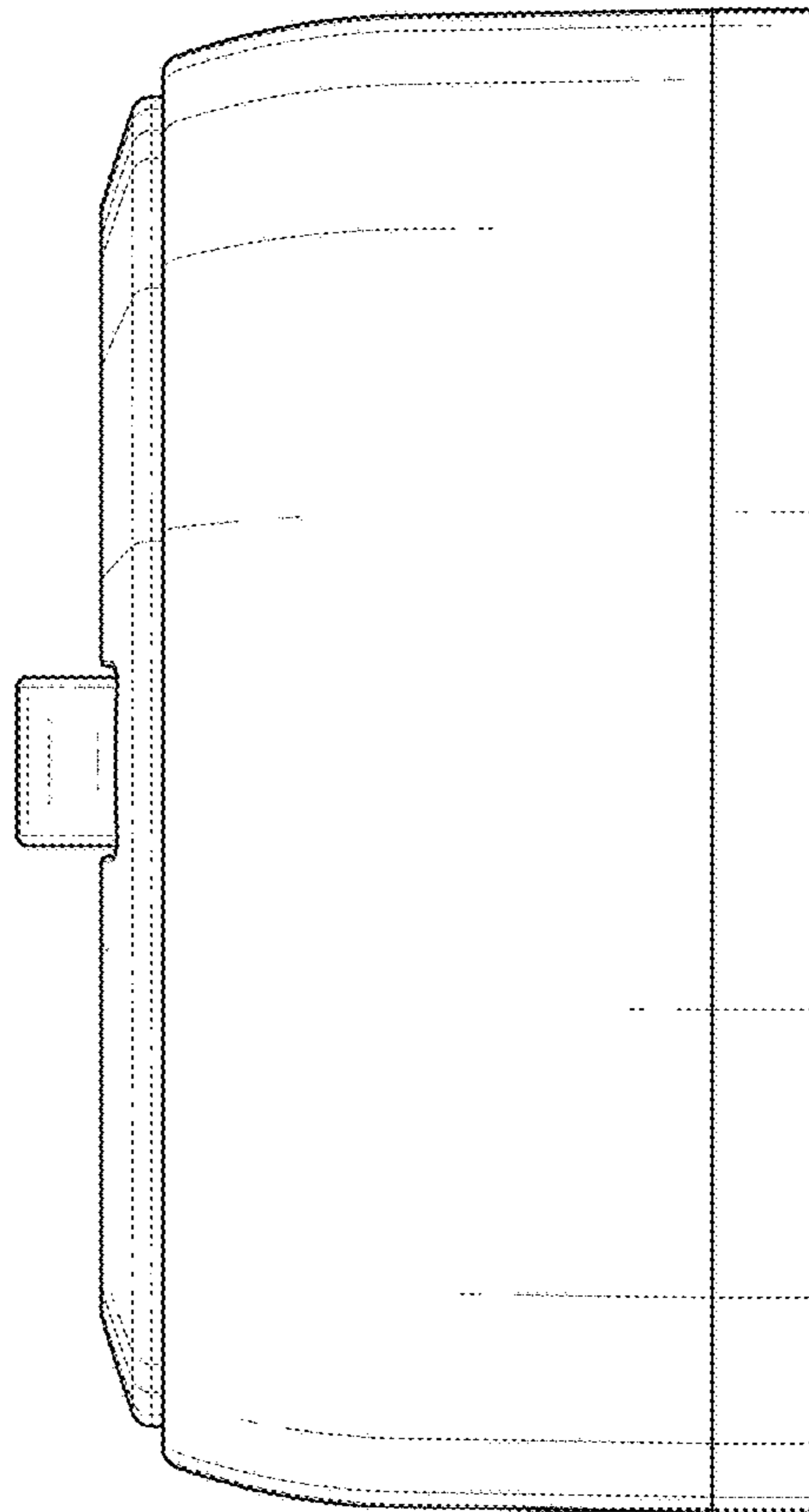


FIG. 3

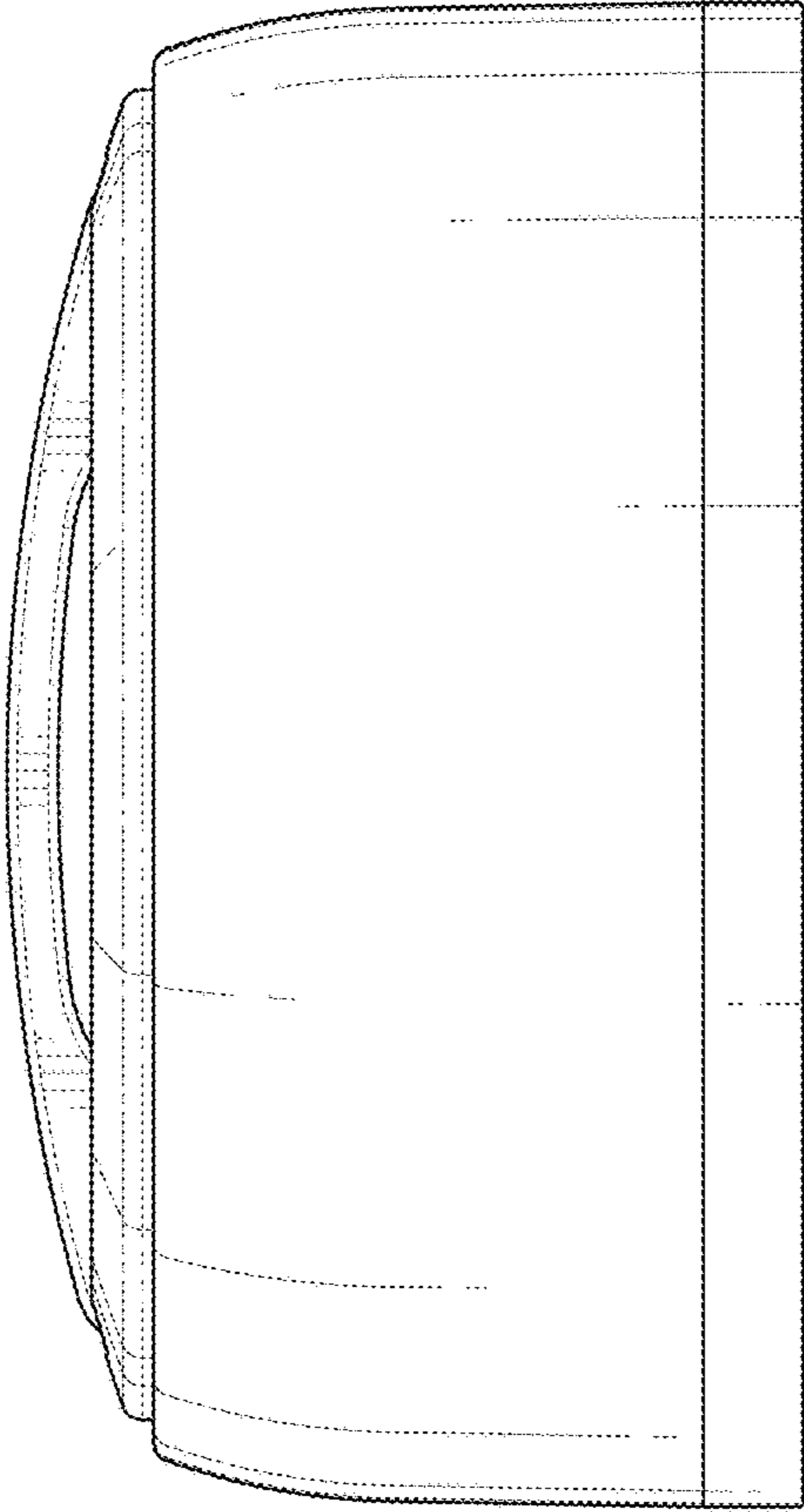


FIG. 4

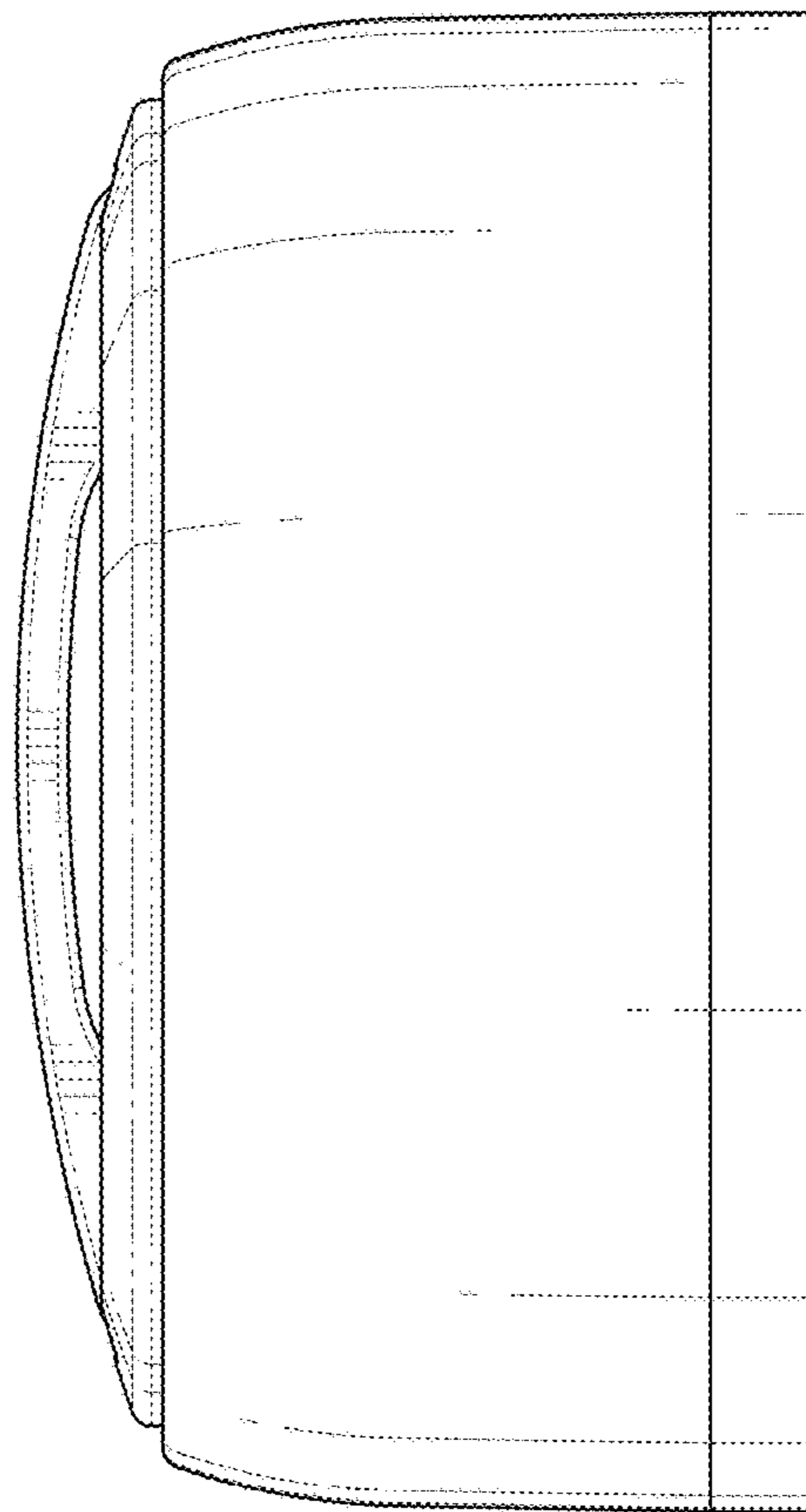


FIG. 5

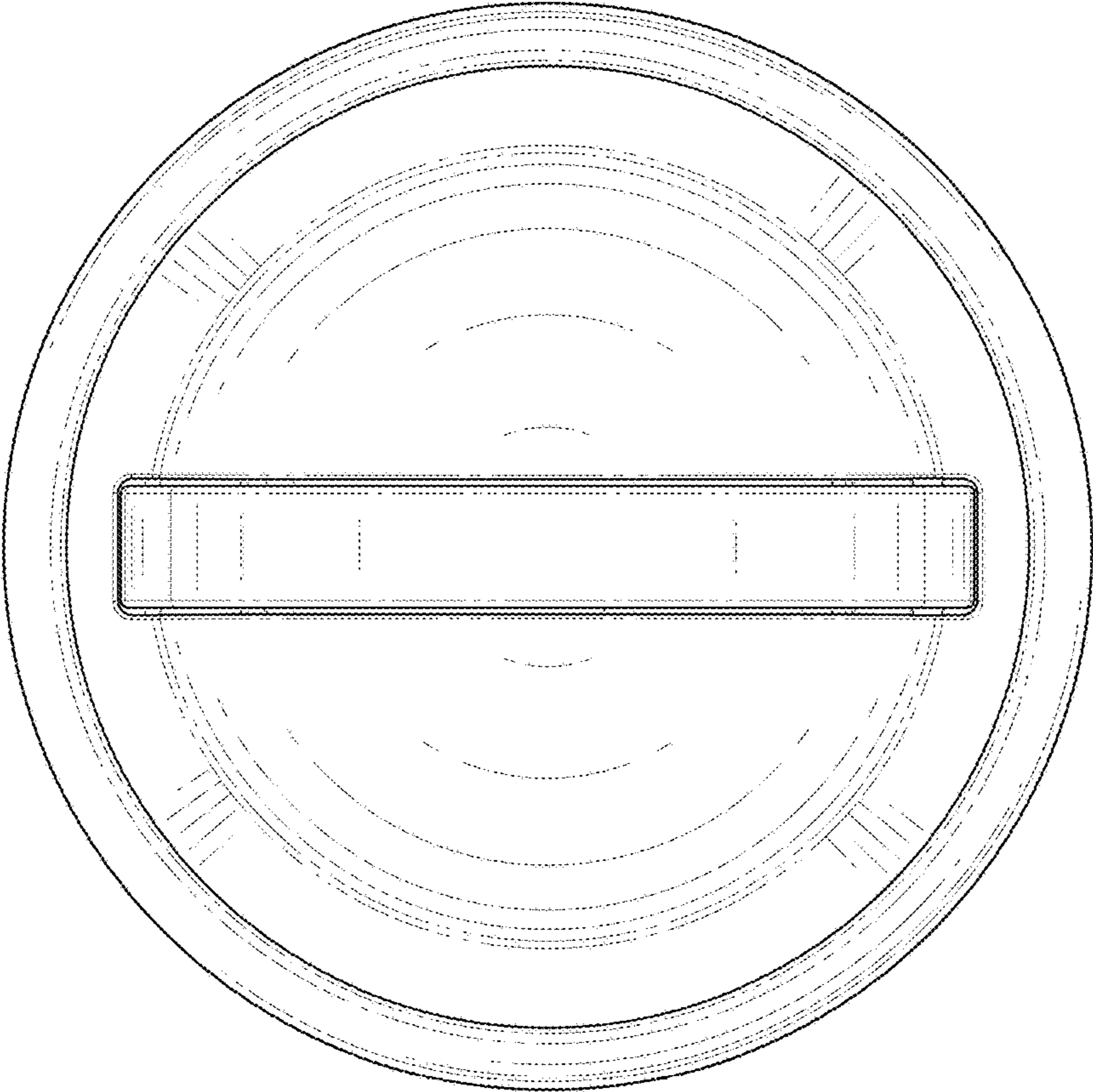


FIG.6

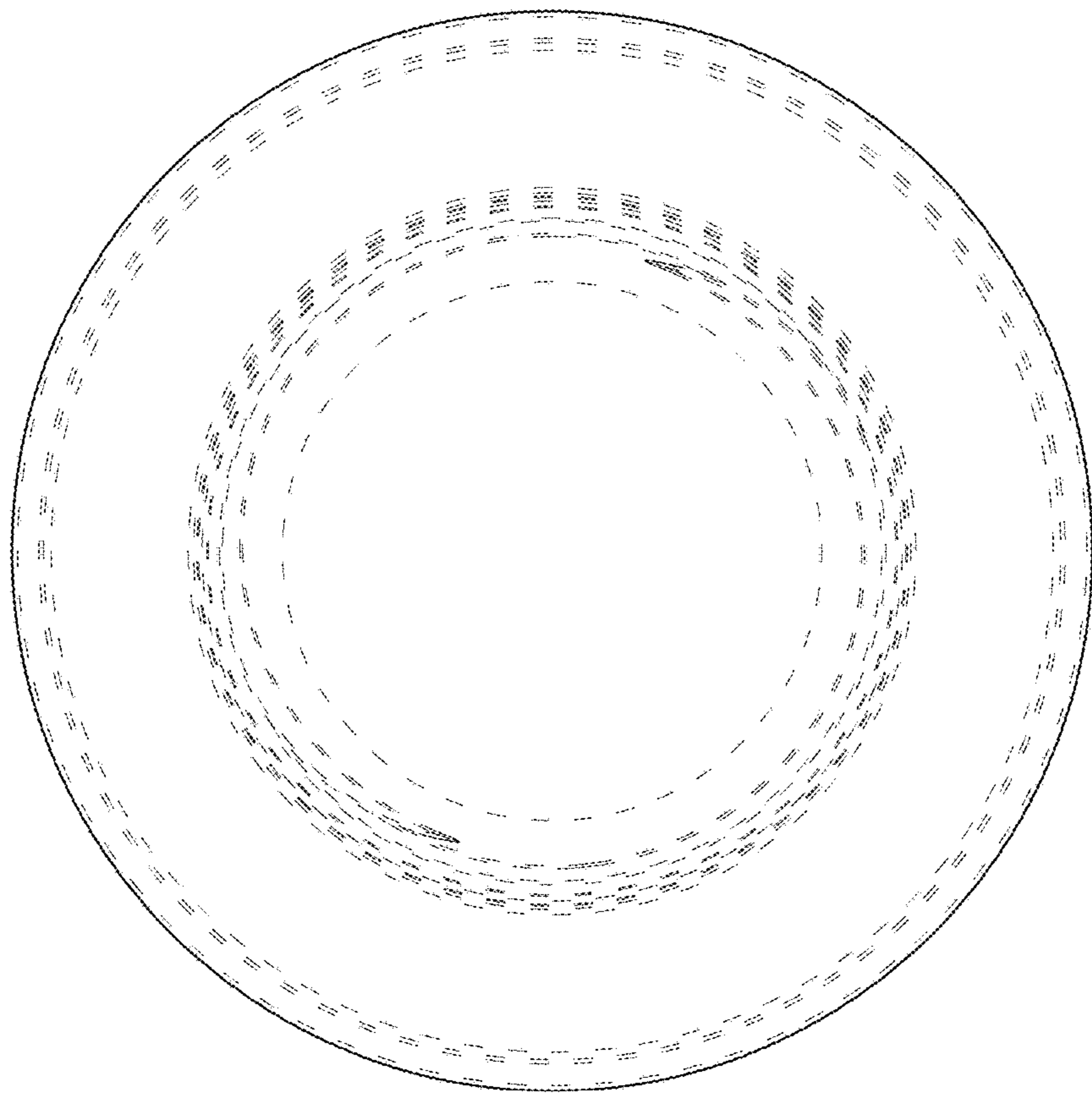


FIG. 7