



US00D840806S

(12) **United States Design Patent** (10) **Patent No.:** **US D840,806 S**
Bourke (45) **Date of Patent:** **** Feb. 19, 2019**

(54) **PACKAGE** 8,602,292 B2 * 12/2013 Brand B65D 5/4608
229/103.2
(71) Applicant: **Damian Bourke**, Black Rock (AU) D729,060 S * 5/2015 Trombetta D9/418
D747,646 S * 1/2016 Sanfilippo D9/416
(72) Inventor: **Damian Bourke**, Black Rock (AU) D814,926 S * 4/2018 Greenfeld D9/430
2006/0091191 A1 * 5/2006 Debusk B65D 71/36
229/122
(**) Term: **15 Years** 2007/0199979 A1 * 8/2007 Holley B65D 71/36
229/103.2
(21) Appl. No.: **29/586,564** 2007/0295791 A1 * 12/2007 Gomes B65D 71/36
229/122
(22) Filed: **Dec. 5, 2016** (Continued)

(30) **Foreign Application Priority Data**

Jun. 3, 2016 (AU) 201613044
(51) **LOC (11) Cl.** **09-03**
(52) **U.S. Cl.**
USPC **D9/432**
(58) **Field of Classification Search**
USPC D9/414-434, 442-445, 456, 457, 542,
D9/563, 600, 614-624, 648, 655, 657,
D9/658, 661, 685, 696, 697-699, 707,
D9/711, 754, 759, 772-776; D7/601,
D7/602, 709; D3/273, 276, 304, 309-313
CPC B65D 5/00; B65D 5/001; B65D 5/0015;
B65D 5/0227-5/0254; B65D 5/18; B65D
5/38; B65D 5/40; B65D 5/2033; B65D
5/48024; B65D 5/6605; B65D 1/22;
B65D 1/24; B65D 1/34; B65B 5/06
See application file for complete search history.

(56) **References Cited**

U.S. PATENT DOCUMENTS

D140,403 S * 2/1945 Wise D3/312
D200,669 S * 3/1965 Swane D3/272
4,380,289 A * 4/1983 Bigelow B65D 5/32
206/216
D379,759 S * 6/1997 Mulry D9/416
D419,440 S * 1/2000 Hansen D9/433
D460,259 S * 7/2002 Oelfke D3/273
D573,014 S * 7/2008 Hetrick D9/416
D684,049 S * 6/2013 McCarthy D9/432

OTHER PUBLICATIONS

Sprite Bag-In Box Fountain Syrup (5 gal.). Online, published date unknown. Retrieved on Apr. 22, 2018 from URL: https://www.samsclub.com/sams/sprite-5-gallon-bag-in-box-fountain-syrup/prod8510008.ip.*

Primary Examiner — Karen S Acker
Assistant Examiner — Omeed Agilee
(74) *Attorney, Agent, or Firm* — Banner & Witcoff, Ltd.

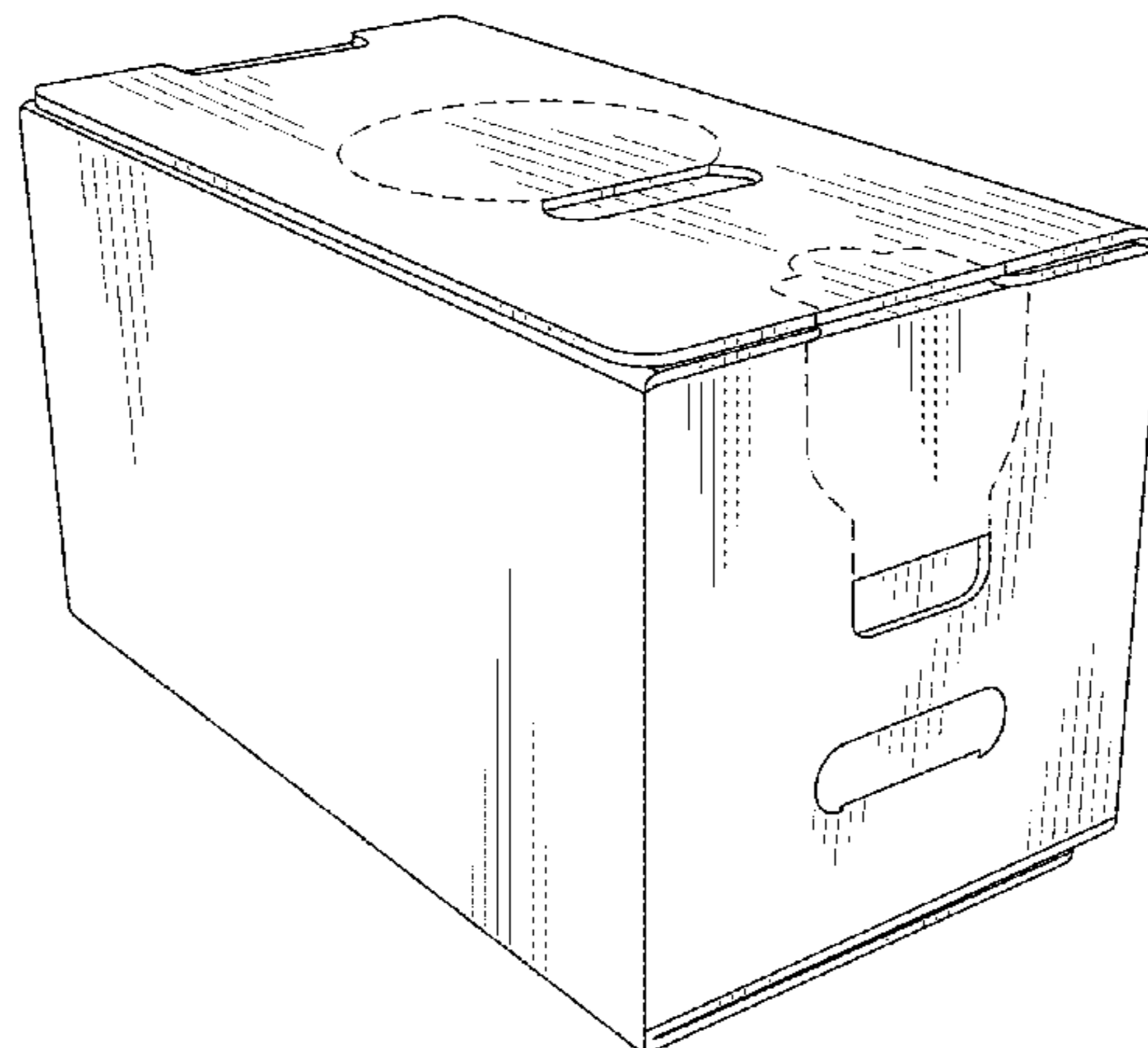
(57) **CLAIM**

The ornamental design for a package, as shown and described.

DESCRIPTION

FIG. 1 is a front perspective view of a package showing my new design;
FIG. 2 is a rear perspective view thereof;
FIG. 3 is a bottom perspective view thereof;
FIG. 4 is a top view thereof;
FIG. 5 is a bottom view thereof;
FIG. 6 is a rear view thereof;
FIG. 7 is a front view thereof;
FIG. 8 is a left side view thereof; and,
FIG. 9 is a right side view thereof.
The broken lines in the figures denote perforation lines that form part of the claimed design.

1 Claim, 9 Drawing Sheets



(56)

References Cited

U.S. PATENT DOCUMENTS

2007/0295792 A1* 12/2007 Zammit B65D 71/36
229/122
2011/0266335 A1* 11/2011 Glowacki B65D 5/425
229/103.2
2014/0054359 A1* 2/2014 Benigni B65D 5/3621
229/117.16
2015/0191271 A1* 7/2015 Masague B65D 5/103
229/117.16

* cited by examiner

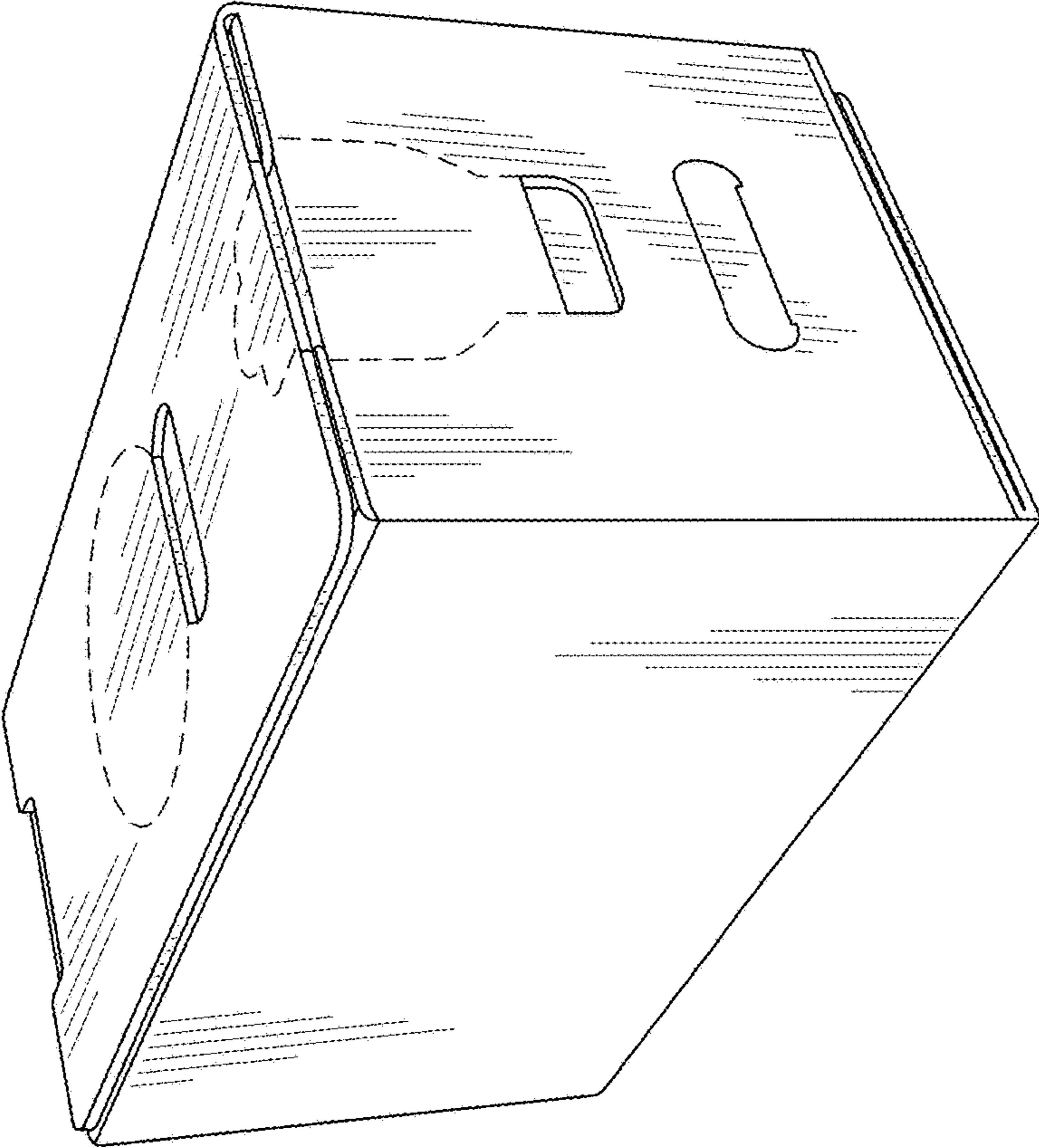


FIG. 1

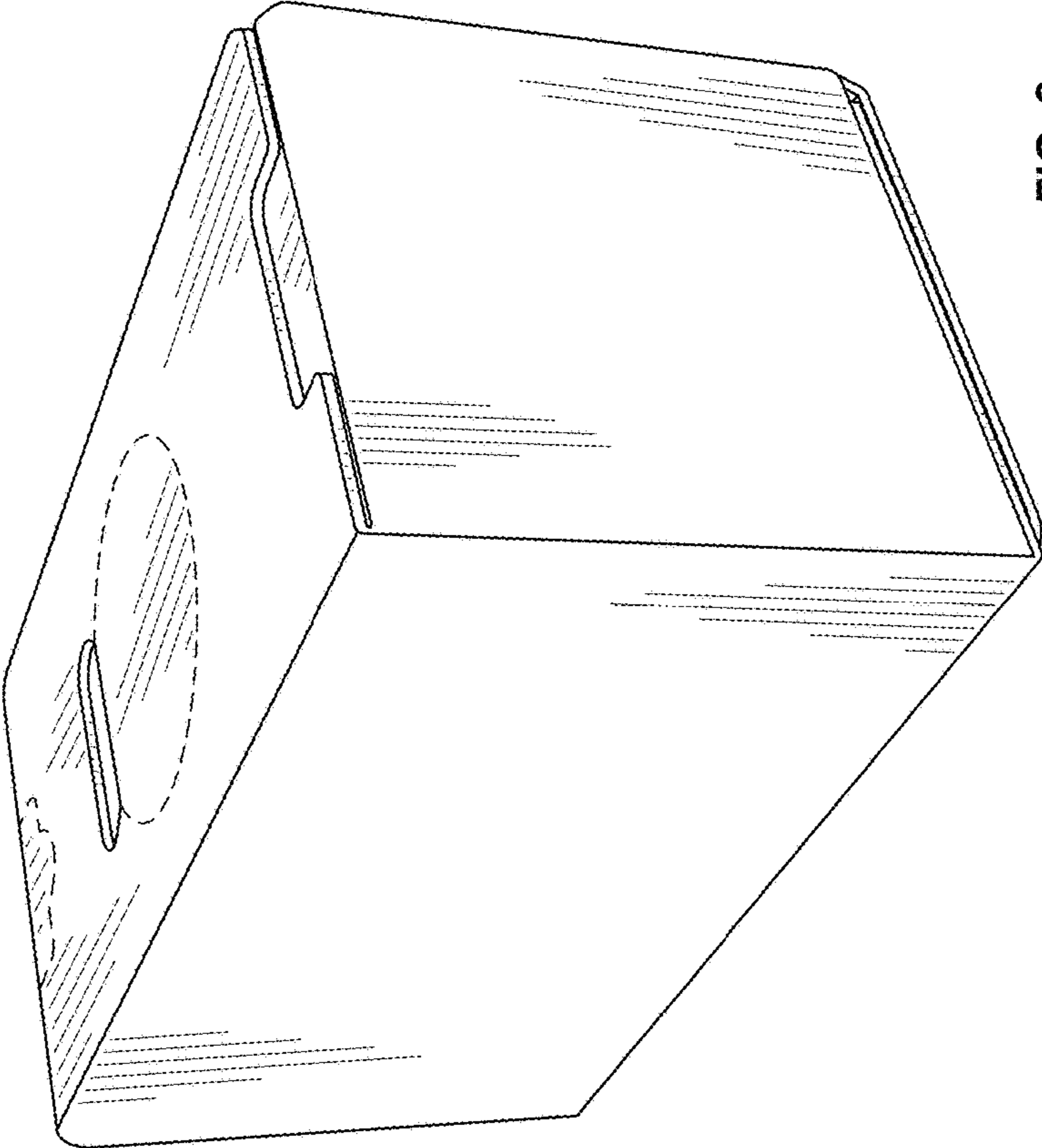


FIG. 2

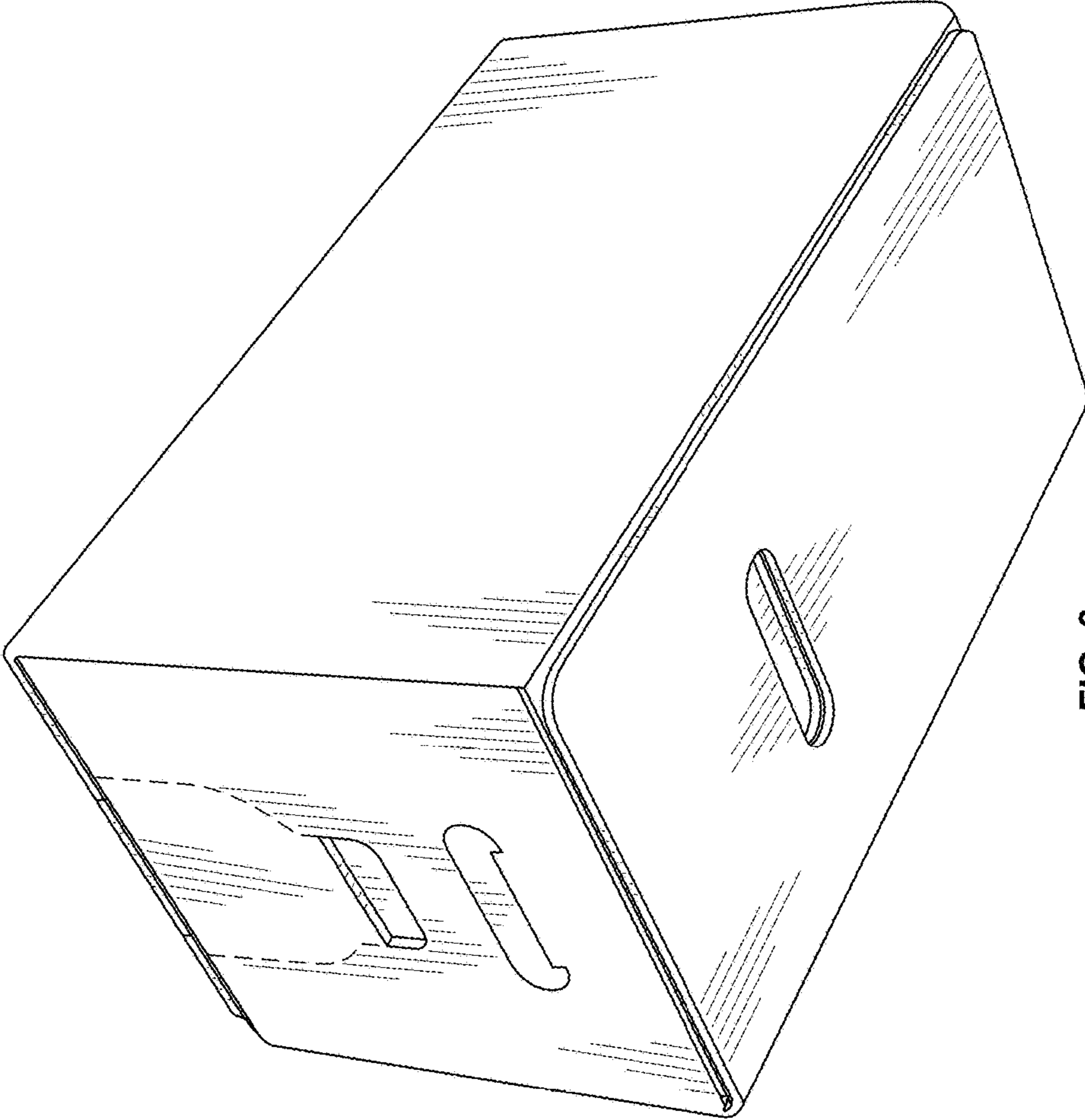


FIG. 3

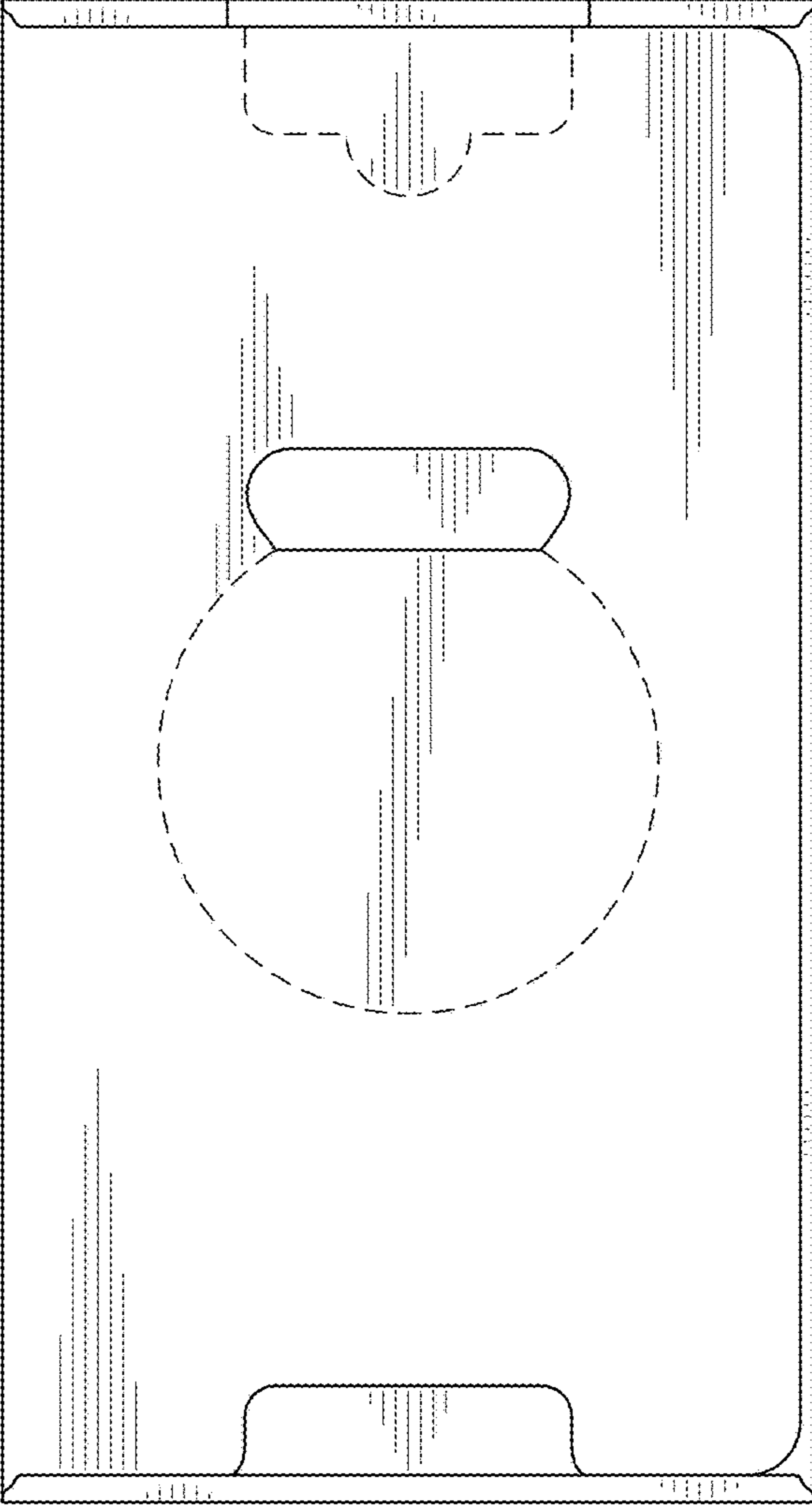


FIG. 4

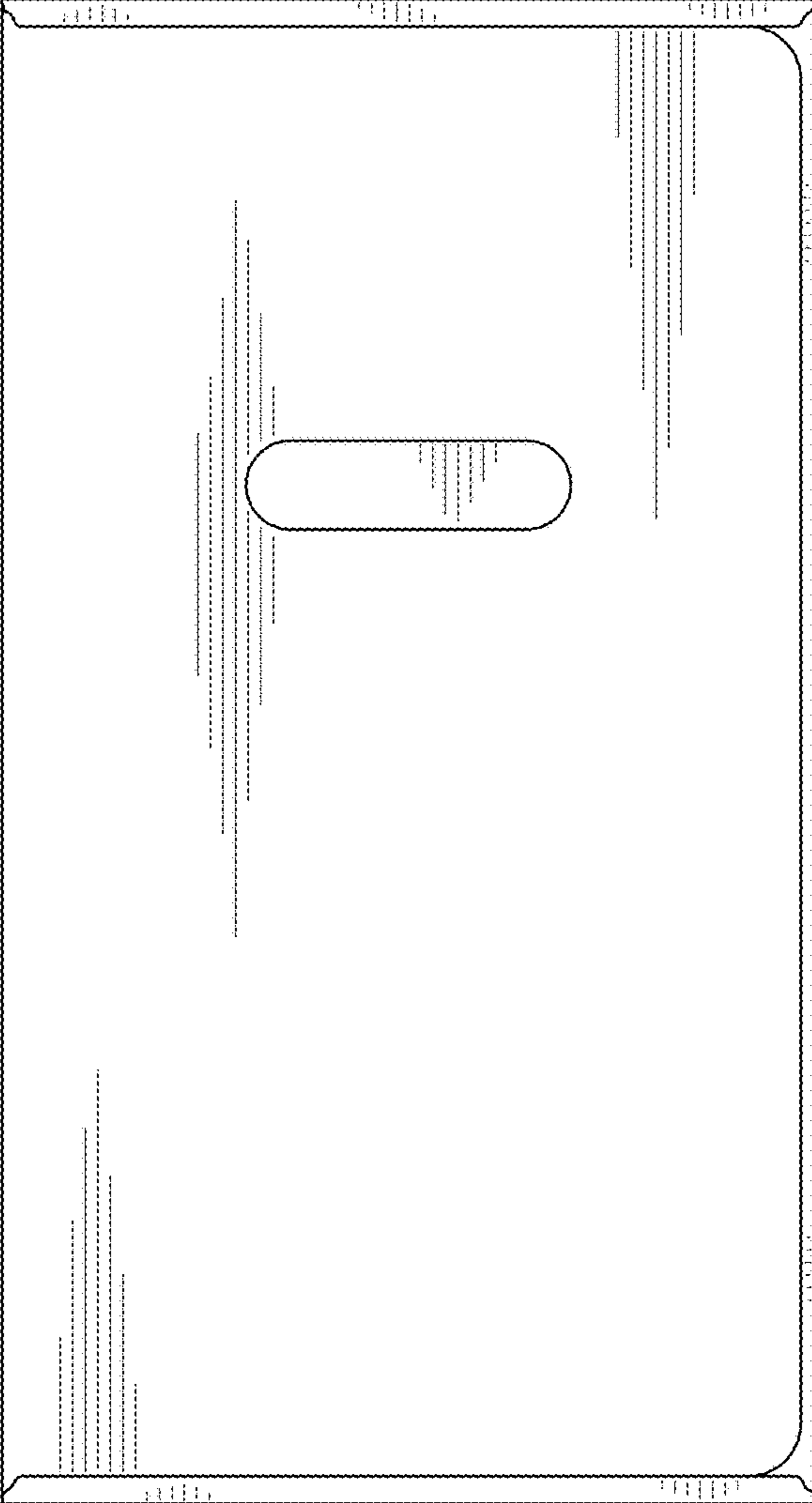


FIG. 5

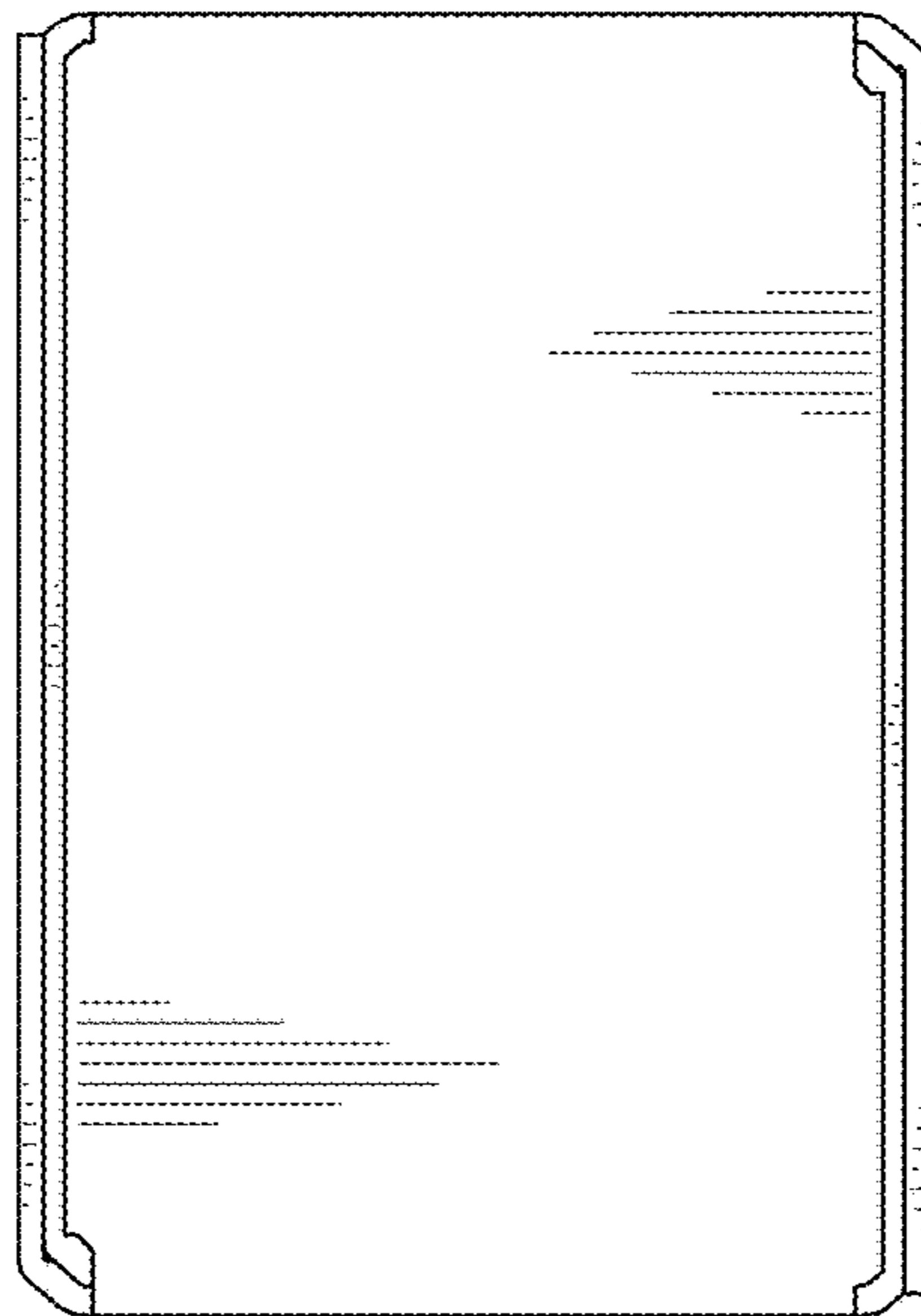


FIG. 6

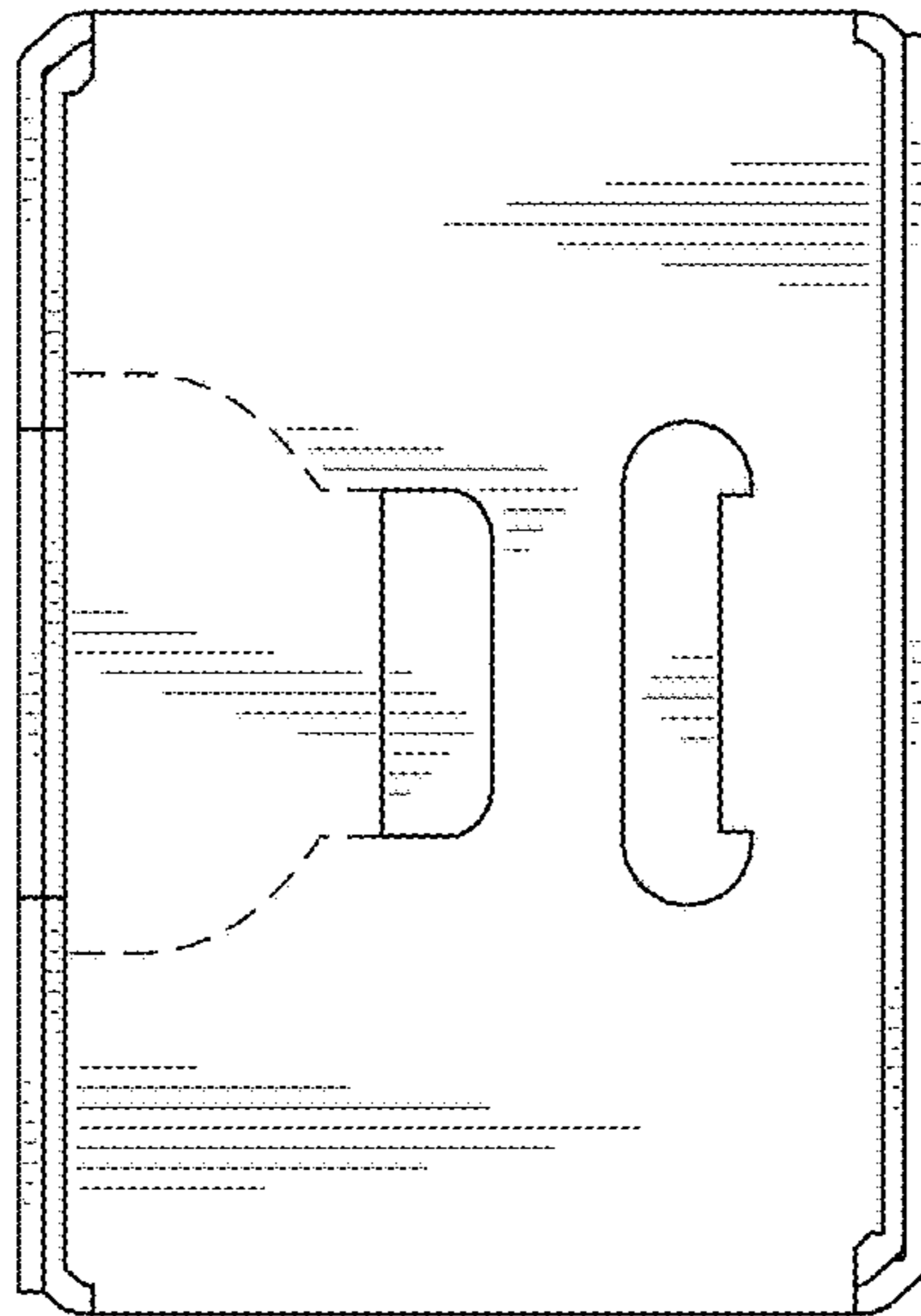


FIG. 7

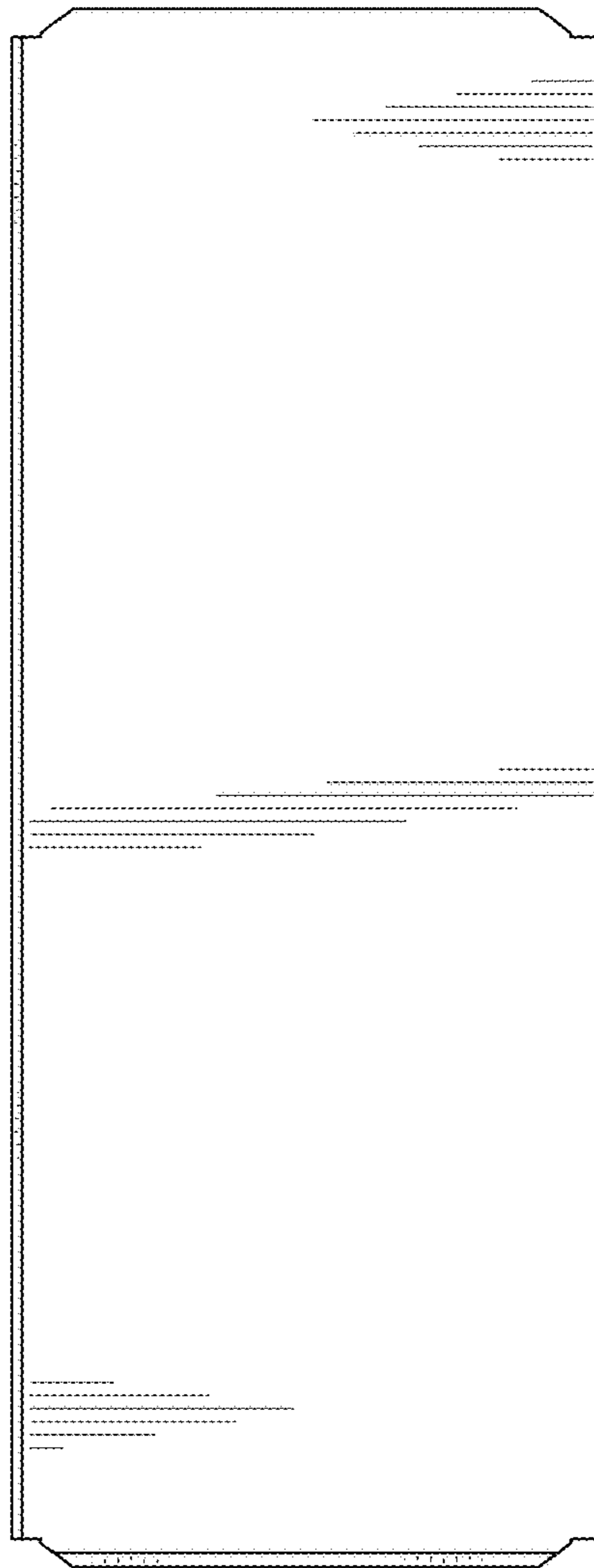


FIG. 8

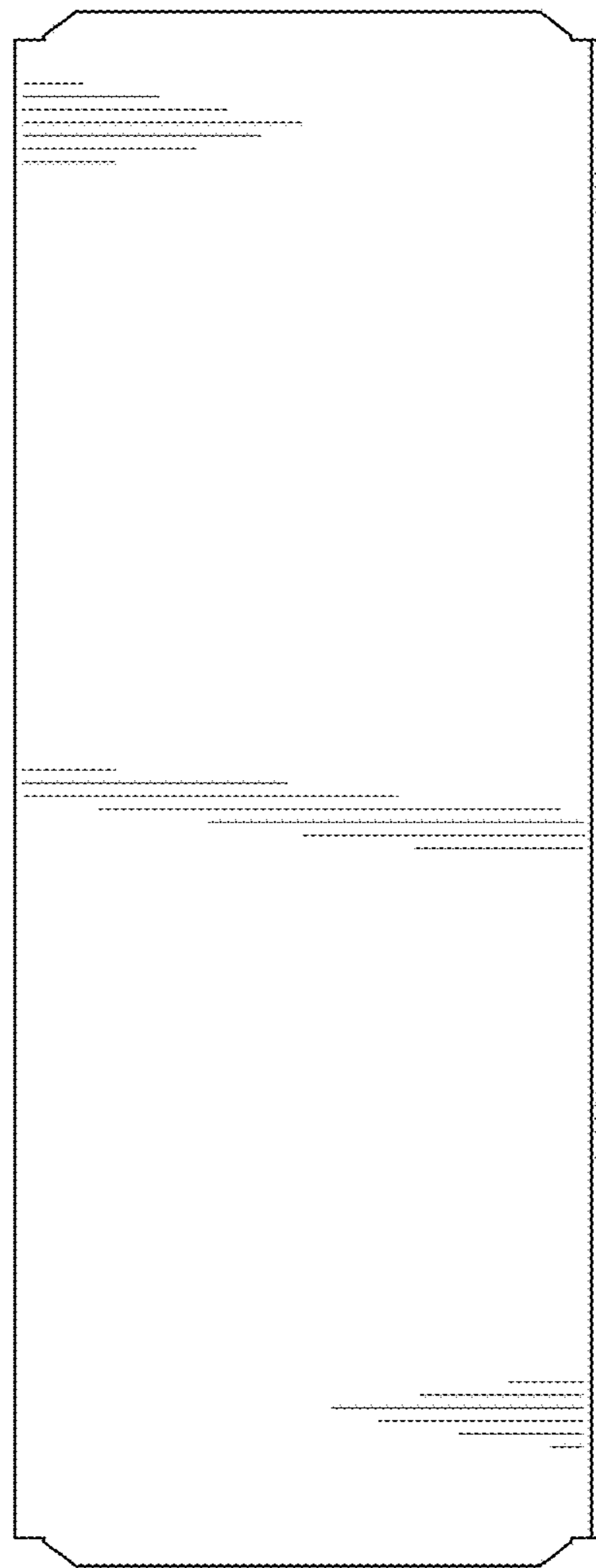


FIG. 9