



US00D840803S

(12) **United States Design Patent** (10) **Patent No.:** **US D840,803 S**
Poorman (45) **Date of Patent:** **** Feb. 19, 2019**

(54) **SMALL CONTAINER**

(71) Applicant: **Kreg Enterprises, Inc.**, Huxley, IA (US)

(72) Inventor: **Kurt Orent Poorman**, Des Moines, IA (US)

(73) Assignee: **KREG ENTERPRISES, INC.**, Huxley, IA (US)

(**) Term: **15 Years**

(21) Appl. No.: **29/584,705**

(22) Filed: **Nov. 16, 2016**

(51) **LOC (11) Cl.** **09-03**

(52) **U.S. Cl.**
USPC **D9/431**

(58) **Field of Classification Search**

USPC D9/414-434, 442-445, 456, 457, 542, D9/563, 600, 614-624, 648, 655, 657, D9/658, 661, 685, 696, 697-699, 707, D9/711, 754, 759, 772-776; D7/601, D7/602, 709; D3/273, 276, 304, 309-313
CPC B65D 5/00; B65D 5/001; B65D 5/0015; B65D 5/0227-5/0254; B65D 5/18; B65D 5/38; B65D 5/40; B65D 5/2033; B65D 5/48024; B65D 5/6605; B65D 1/22; B65D 1/24; B65D 1/34; B65B 5/06

See application file for complete search history.

(56) **References Cited**

U.S. PATENT DOCUMENTS

D197,311 S *	1/1964	Spaak	206/509
D280,182 S *	8/1985	Tyler	D9/431
D281,367 S *	11/1985	Stromberg	D3/312
D320,298 S *	9/1991	Apps	D3/312
D356,211 S *	3/1995	Apps	D3/304
D356,679 S *	3/1995	Apps	D3/304
D368,584 S *	4/1996	Stommel, Jr.	D3/313

(Continued)

Primary Examiner — Karen S Acker

Assistant Examiner — Omeed Agilee

(74) *Attorney, Agent, or Firm* — Christopher A. Proskey; BrownWinick Law Firm

(57) **CLAIM**

I claim the ornamental design for a small container, substantially as shown and described.

DESCRIPTION

The patent or application file contains at least one drawing executed in color. Copies of this patent or patent application publication with color drawing(s) will be provided by the Office upon request and payment of the necessary fee.

FIG. 1 is a top perspective view of the small container, unclaimed removable corner sections are attached;

FIG. 2 is a top and side perspective view thereof;

FIG. 3 is a bottom and side perspective view thereof;

FIG. 4 is a side perspective view thereof;

FIG. 5 is a side perspective view thereof;

FIG. 6 is a side perspective view thereof;

FIG. 7 is a bottom plan view thereof;

FIG. 8 is a top plan view thereof;

FIG. 9 is a top and side perspective view of the small container of FIG. 1 with the corner sections removed;

FIG. 10 is a top and side perspective view thereof;

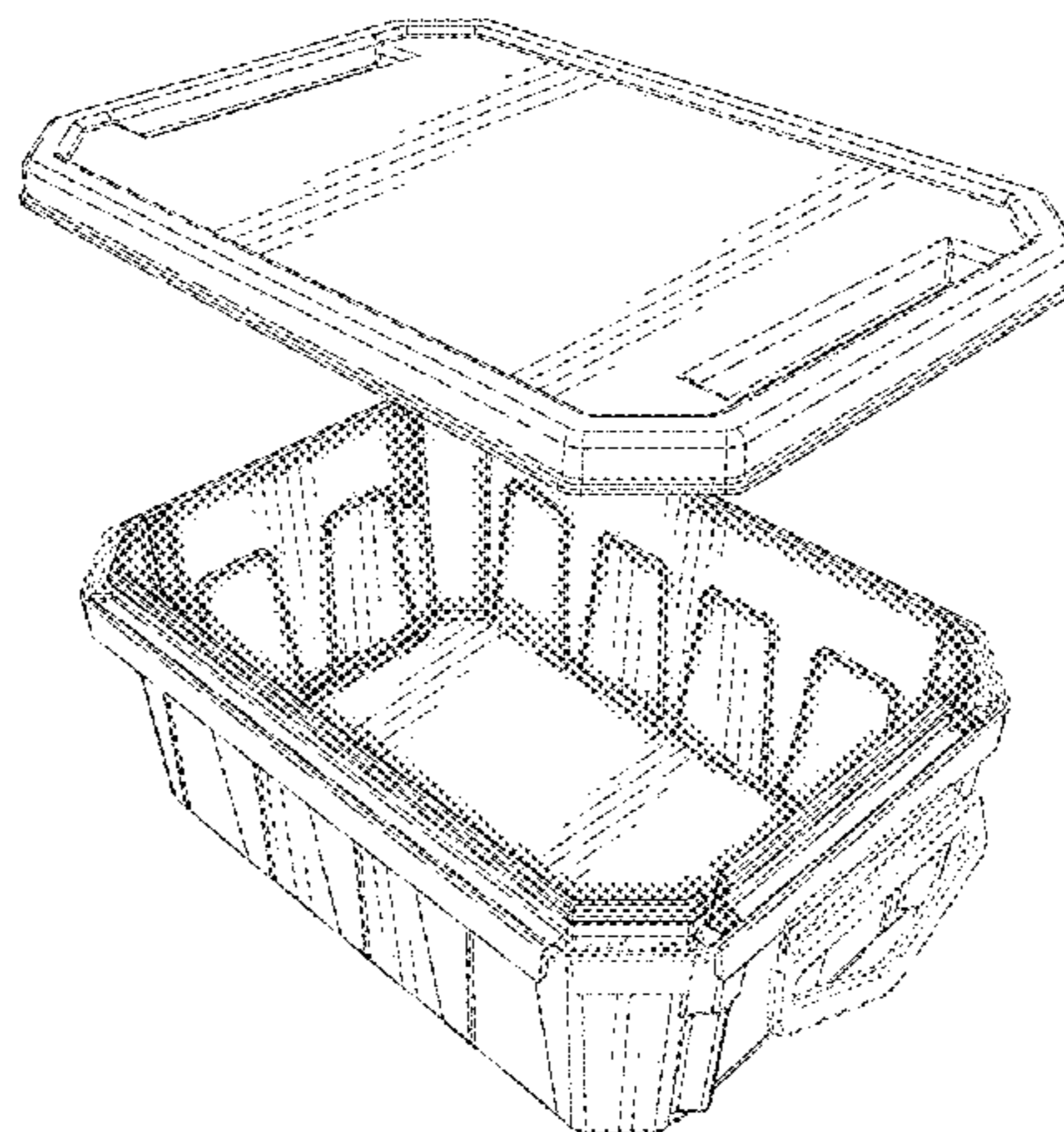
FIG. 11 is a side elevation view thereof;

FIG. 12 is a side elevation view of the small container of FIG. 1; unclaimed removable corner sections are attached; and,

FIG. 13 is a side elevation view of the small container of FIG. 1 with the corner sections removed.

The broken lines showing an optional hang tag connected to the end side of the article depict environmental subject matter that forms no part of the claimed design. All other broken lines and areas within them depict portions of the small container that form no part of the claimed design.

1 Claim, 13 Drawing Sheets
(13 of 13 Drawing Sheet(s) Filed in Color)



(56)

References Cited

U.S. PATENT DOCUMENTS

D446,719 S * 8/2001 Garraway D9/425
D554,371 S * 11/2007 Åhman D3/304
7,353,950 B2 * 4/2008 Stahl B65D 21/0216
206/506
7,575,181 B2 * 8/2009 Weemhoff B05B 17/085
206/497
D627,220 S * 11/2010 LeMaster D9/425
D648,535 S * 11/2011 Reinhart D3/302
D659,400 S * 5/2012 Kraemer D3/304
D663,525 S * 7/2012 Rhoades D3/314
D677,152 S * 3/2013 Miller D9/424
D685,994 S * 7/2013 Chen D3/311
D743,171 S * 11/2015 Reinhart D3/279
D746,131 S * 12/2015 Astorga D9/425
D747,962 S * 1/2016 Astorga D9/425
2012/0125937 A1 * 5/2012 Ahlstrom B65D 43/0218
220/378

* cited by examiner

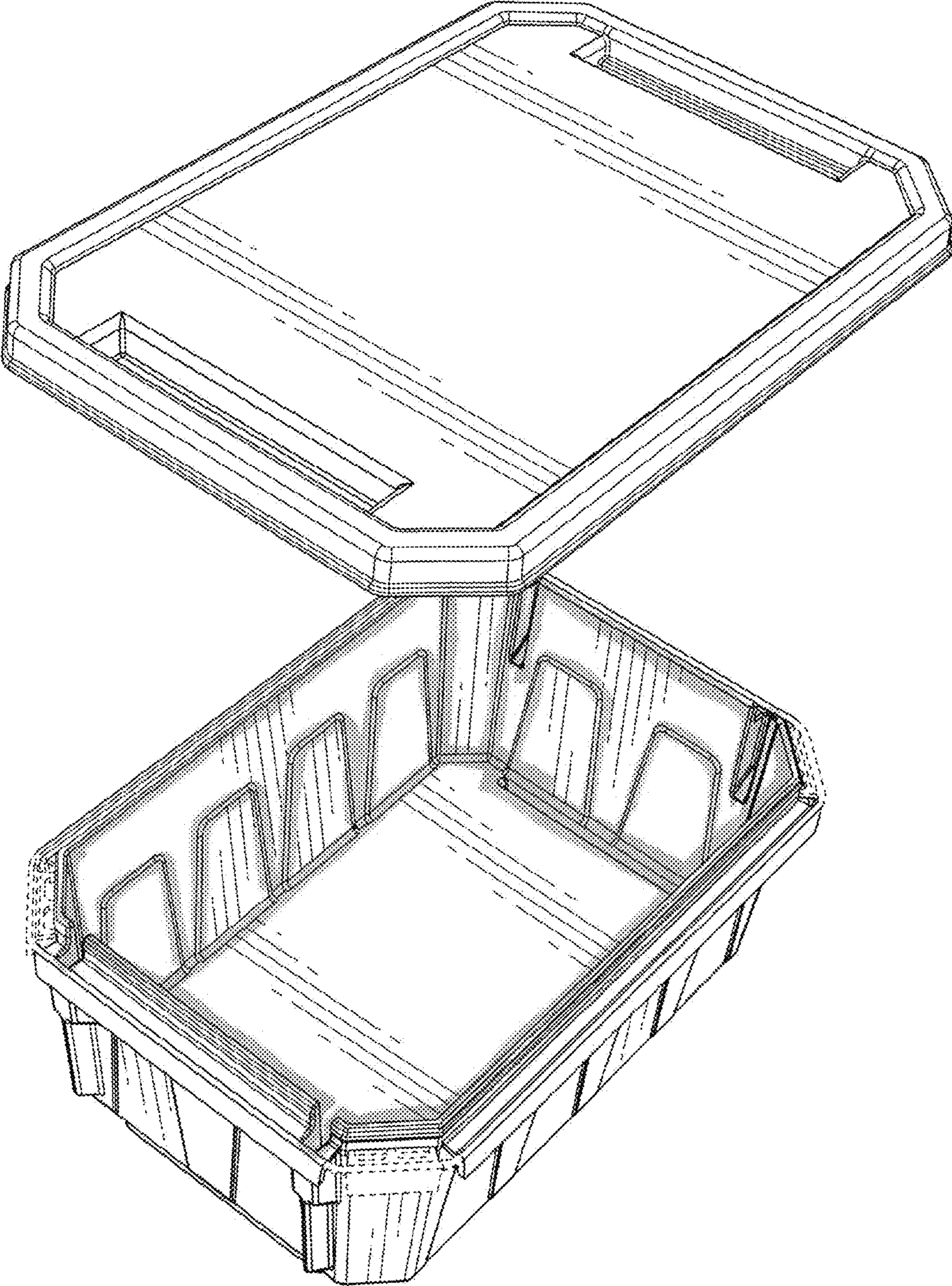


FIG. 1

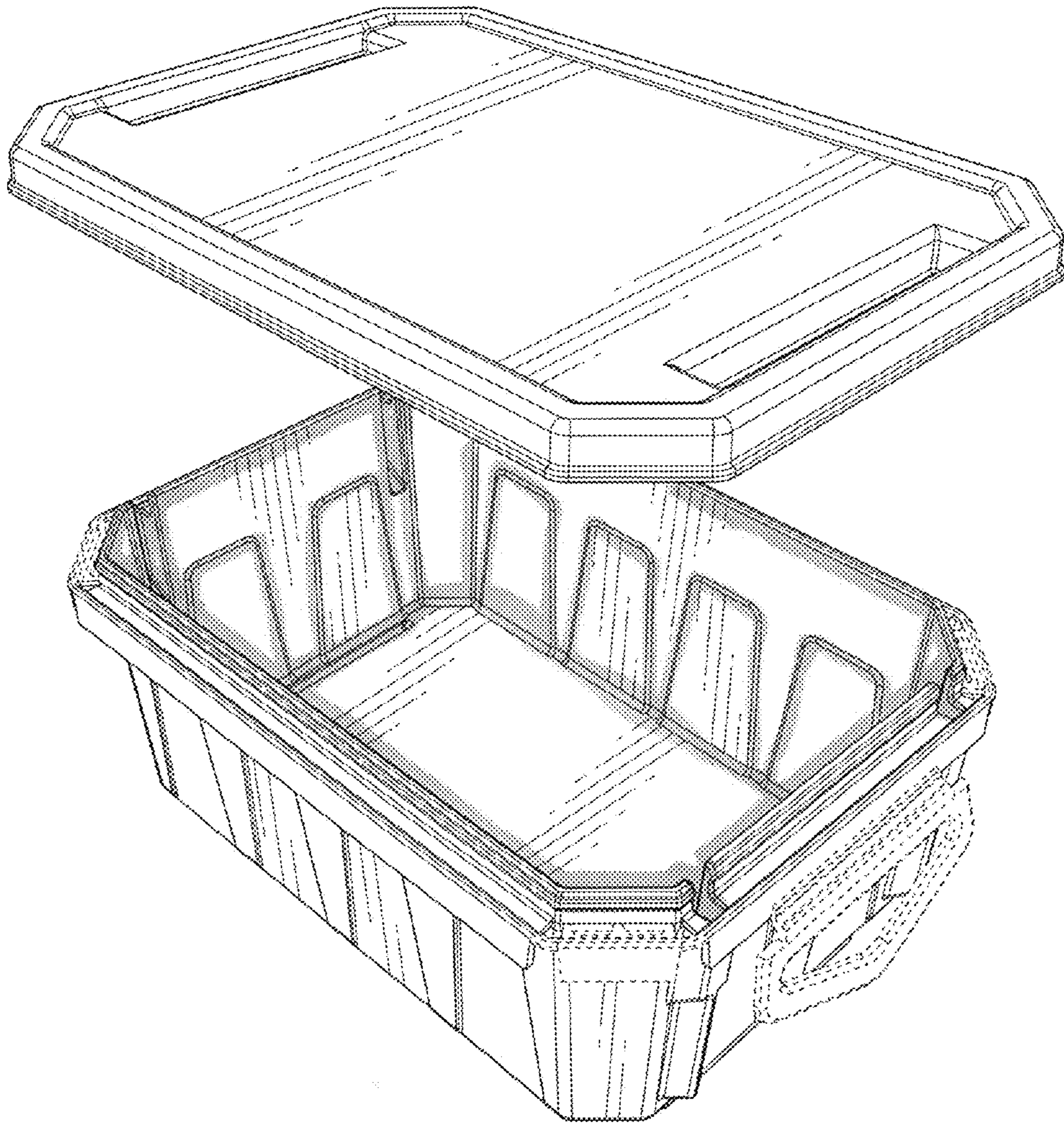


FIG. 2

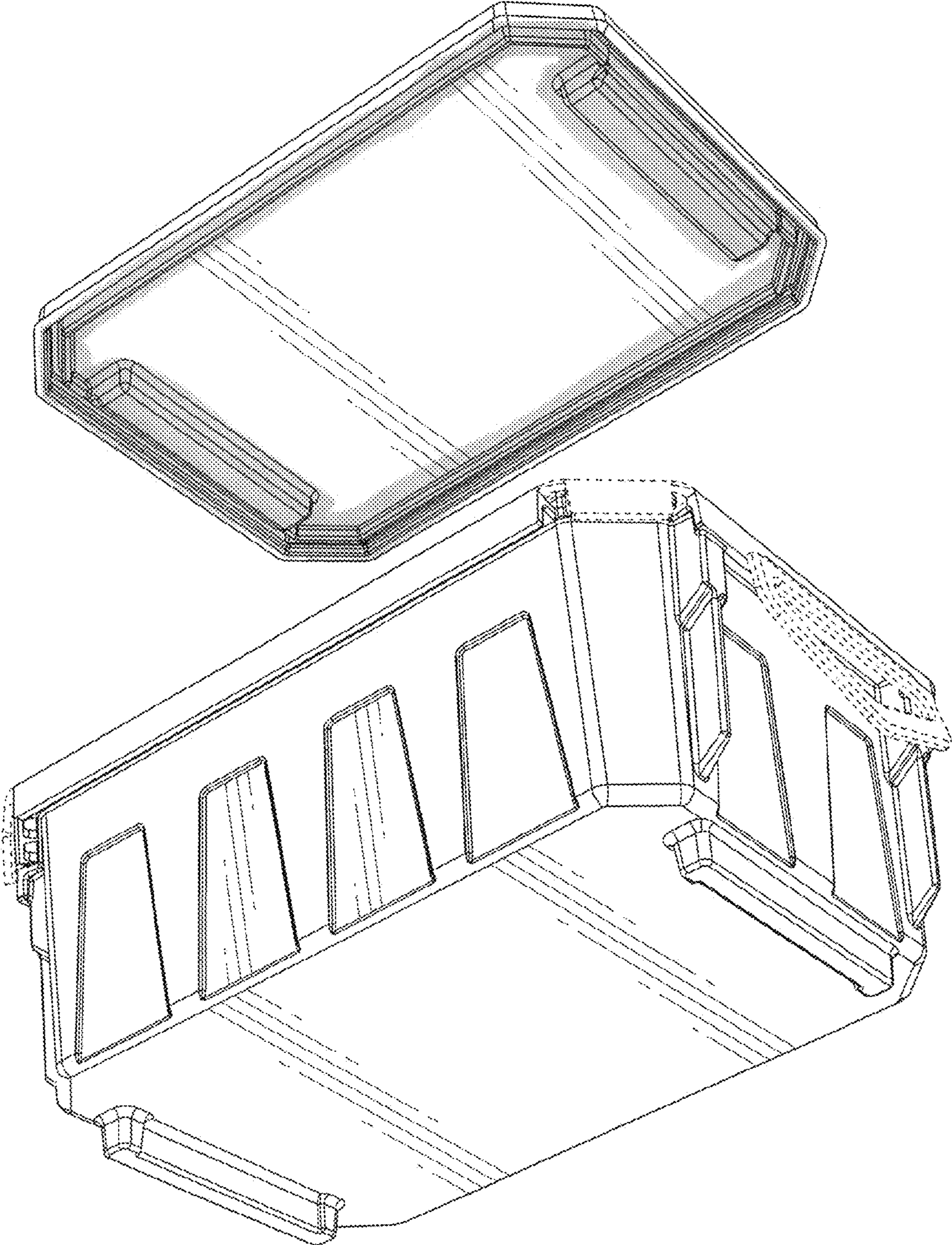


FIG. 3

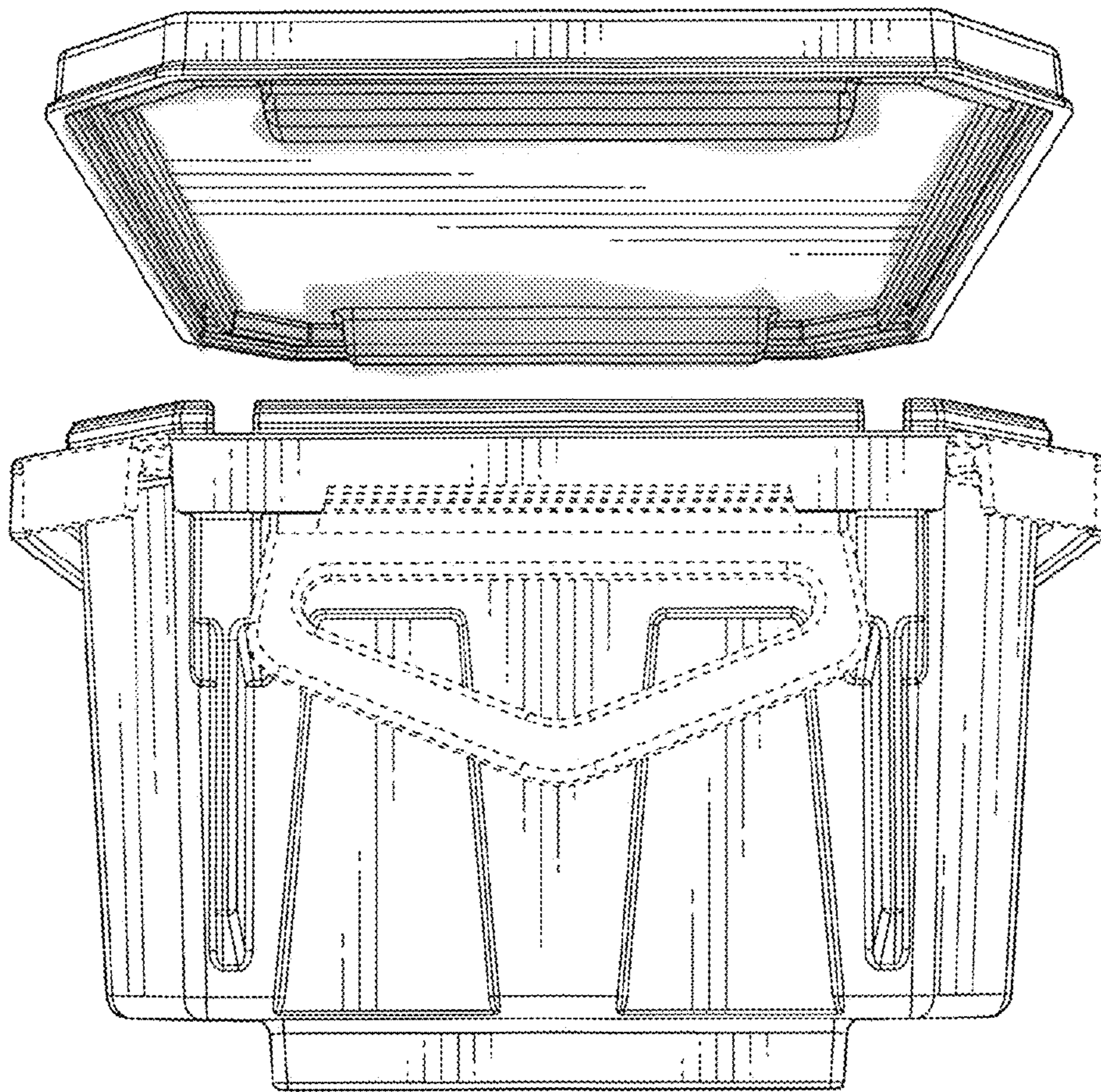


FIG. 4

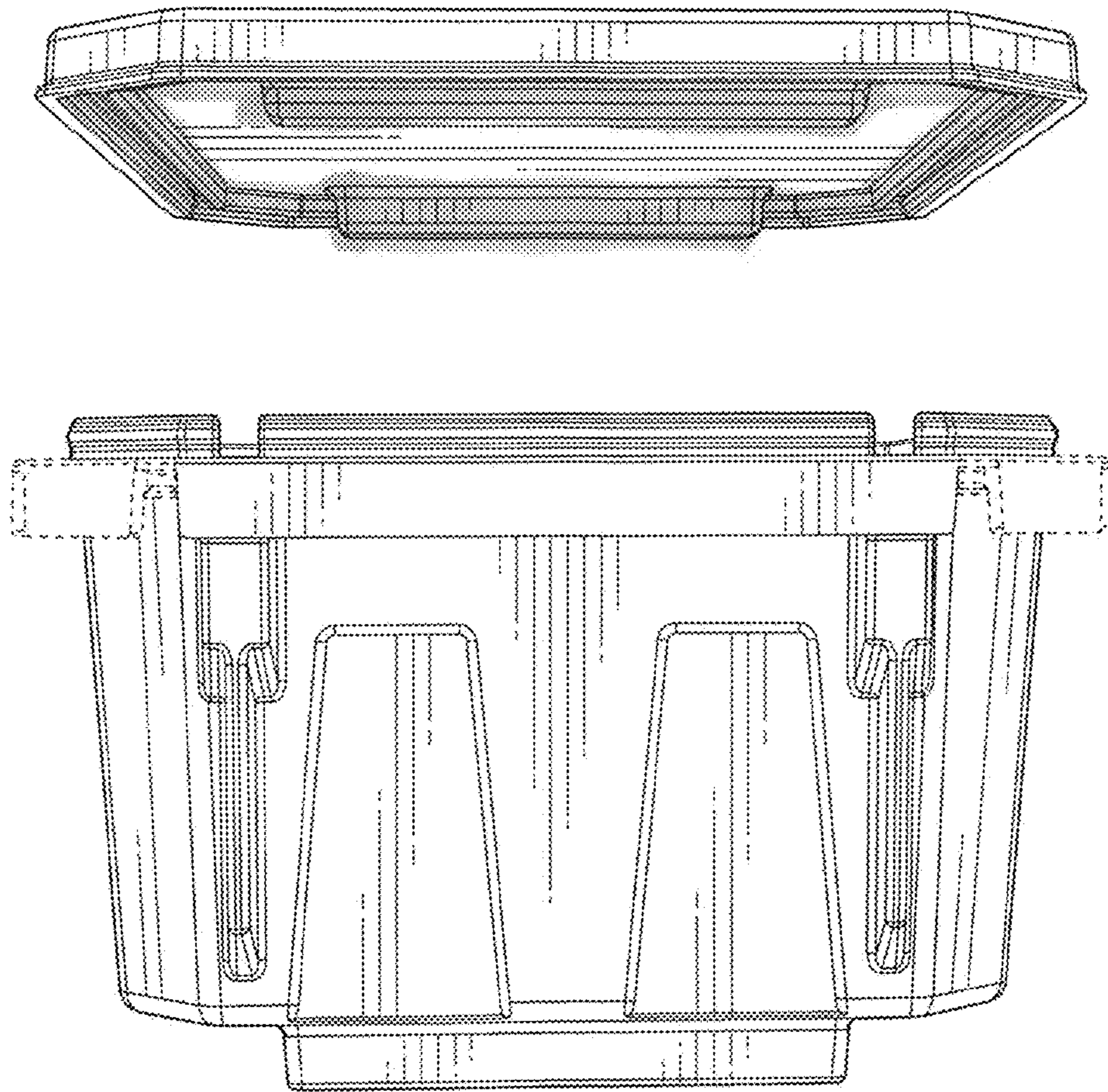


FIG. 5

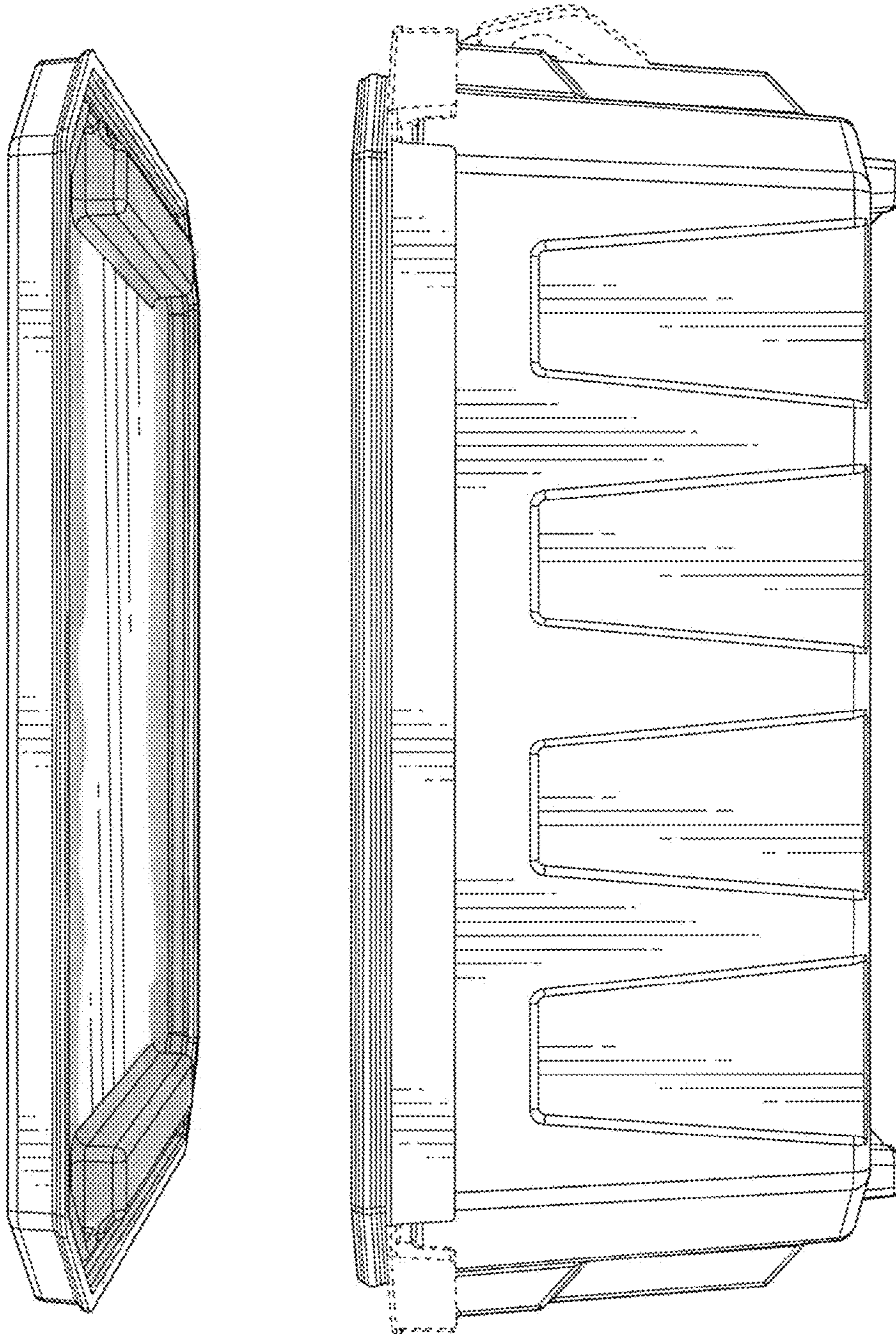


FIG. 6

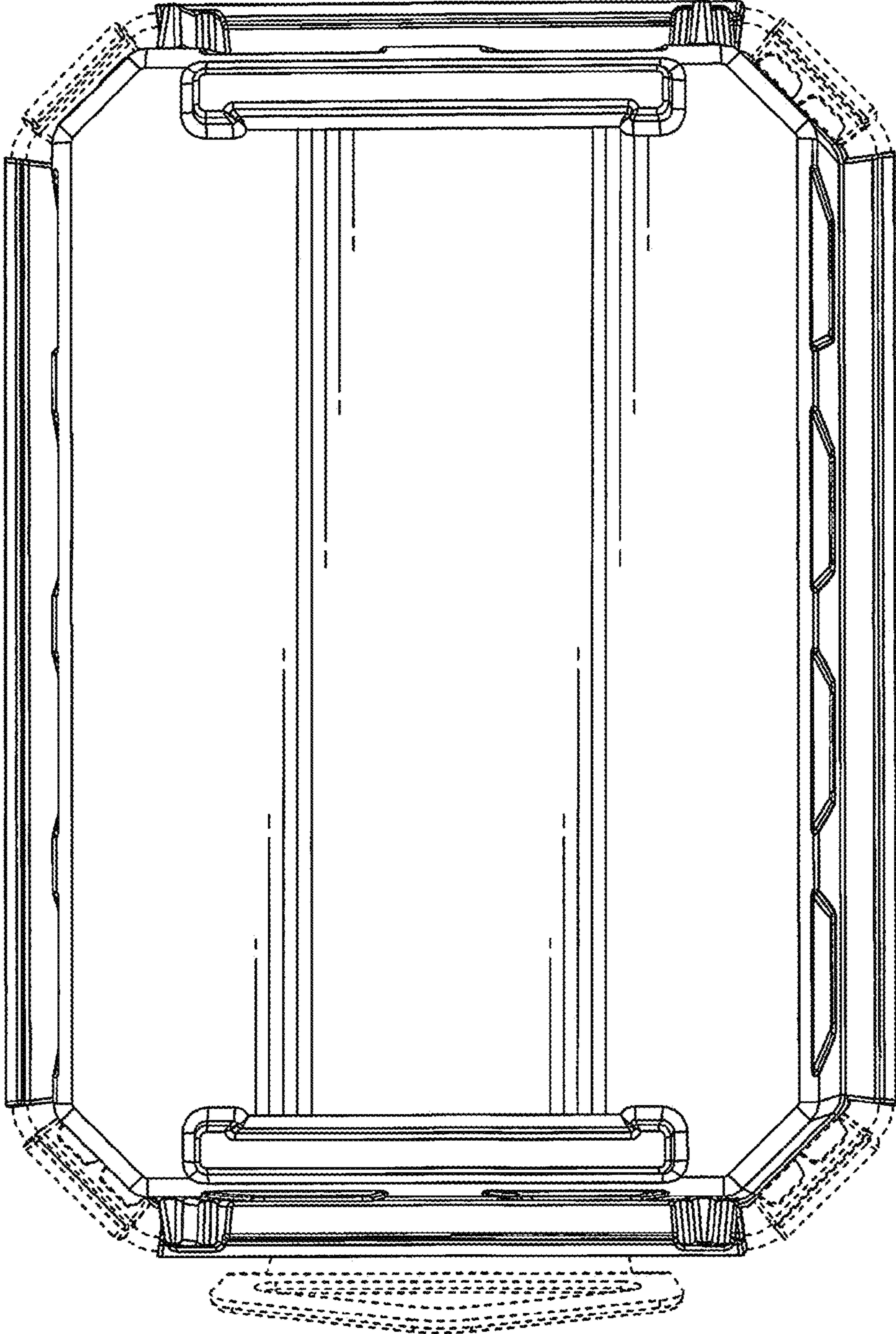


FIG. 7

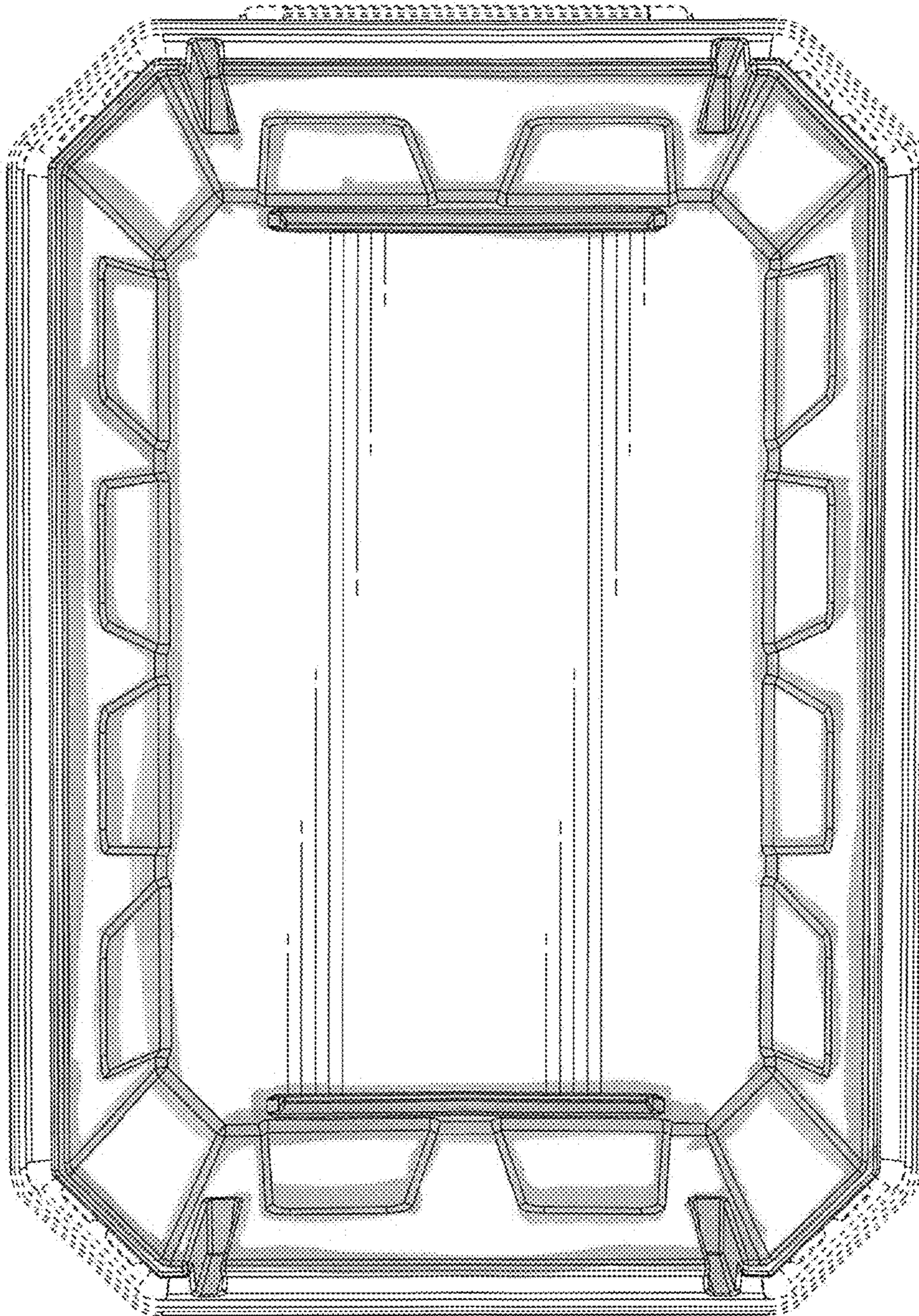


FIG. 8

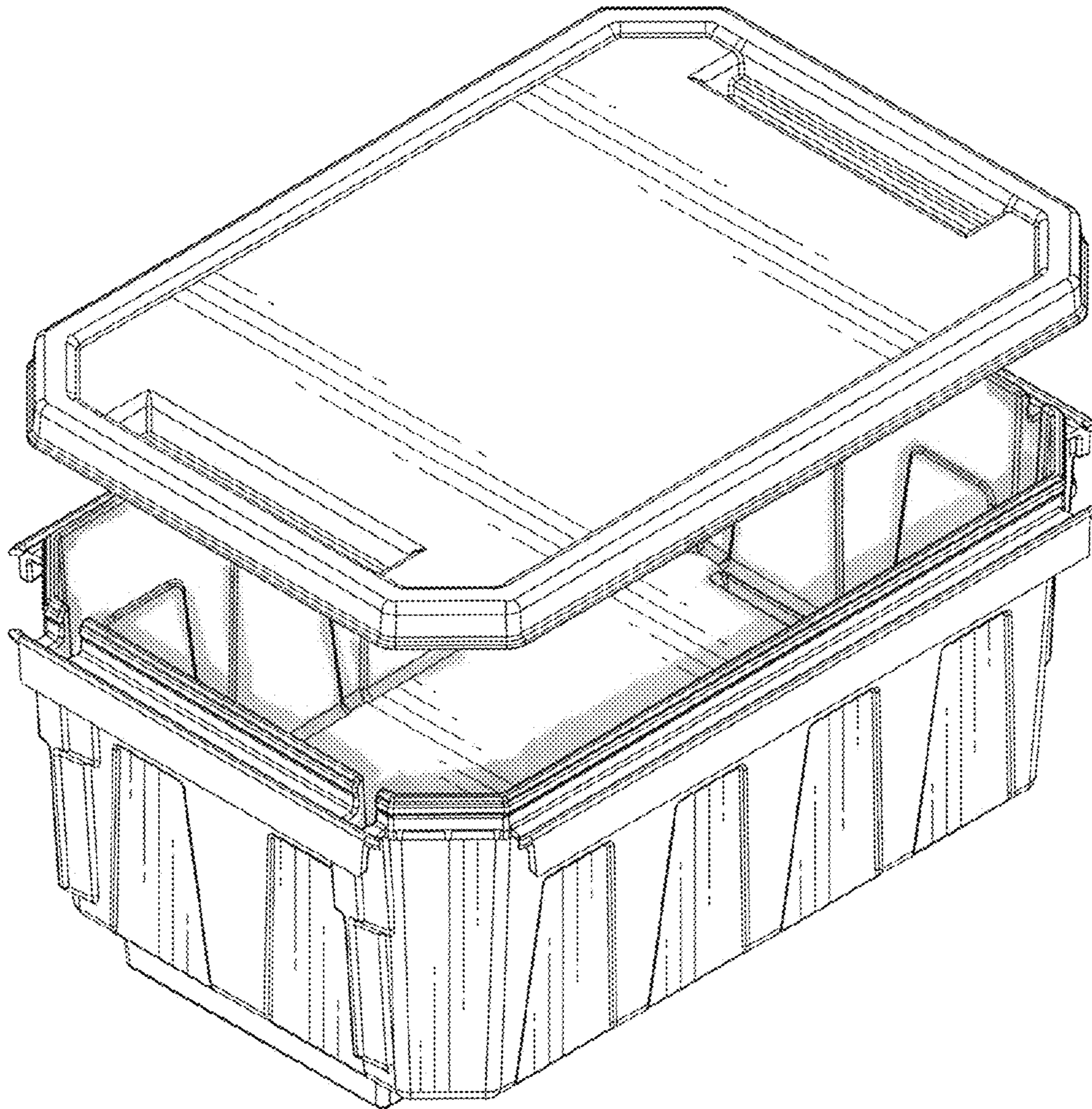


FIG. 9

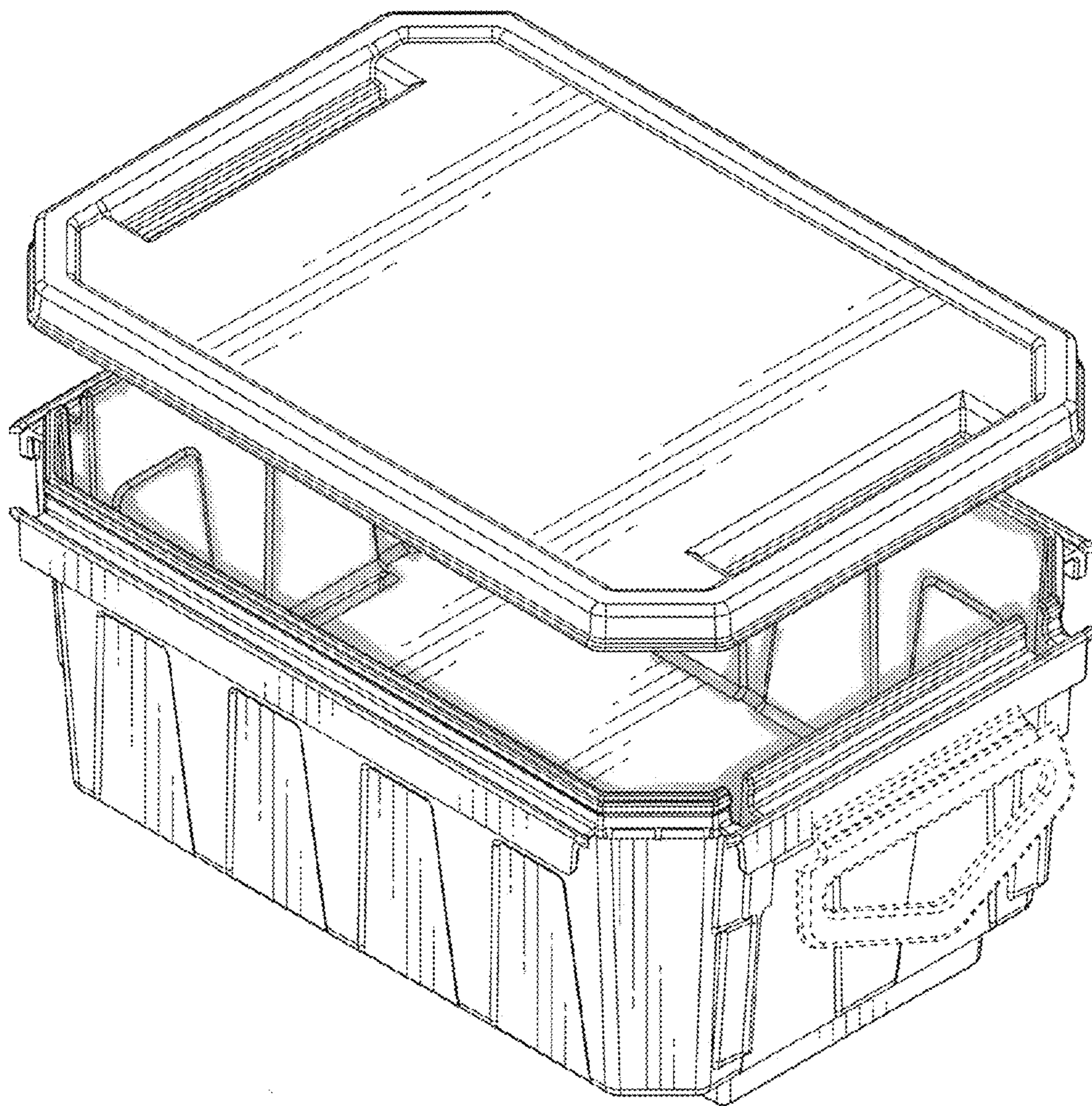


FIG. 10

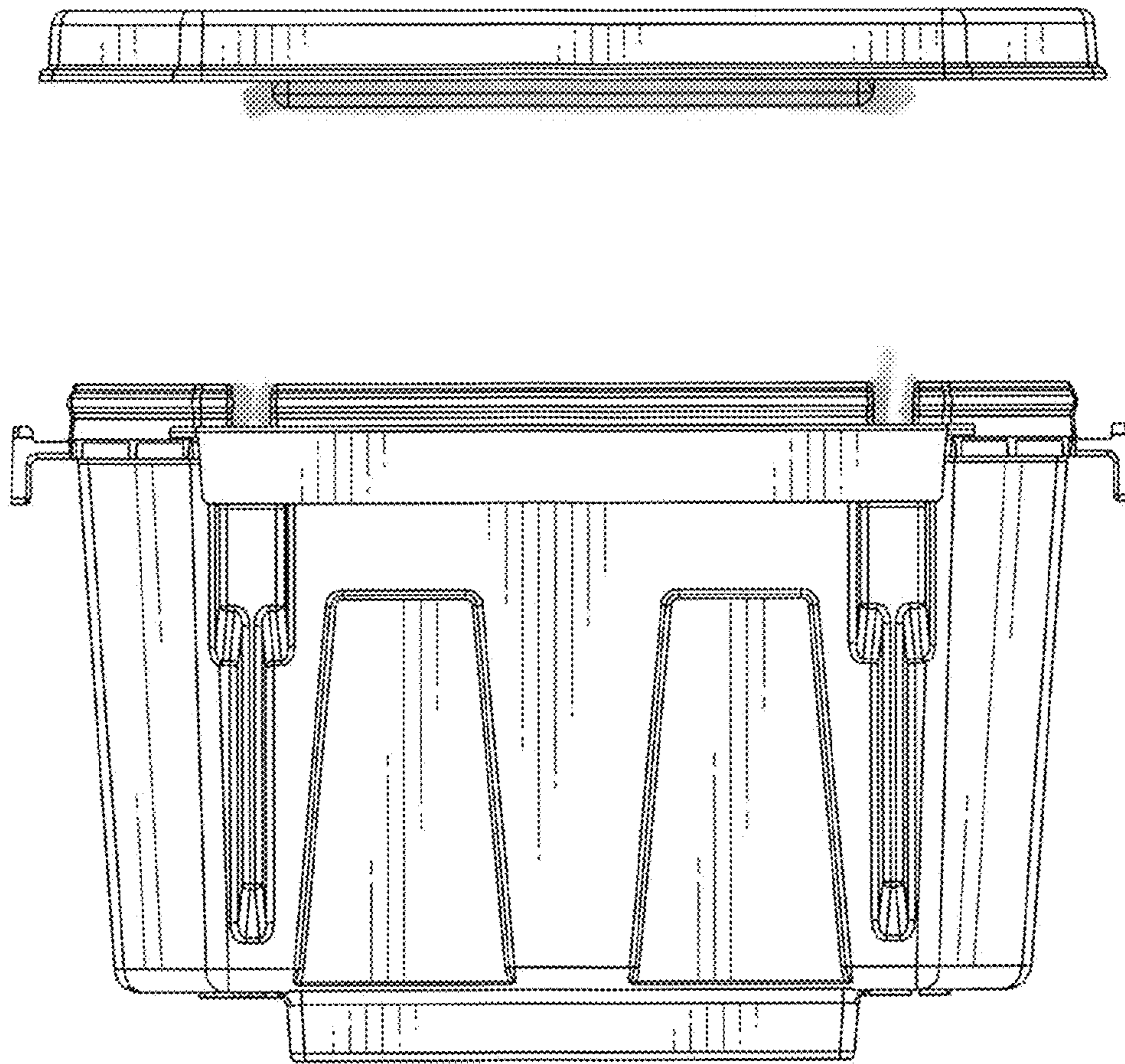


FIG. 11

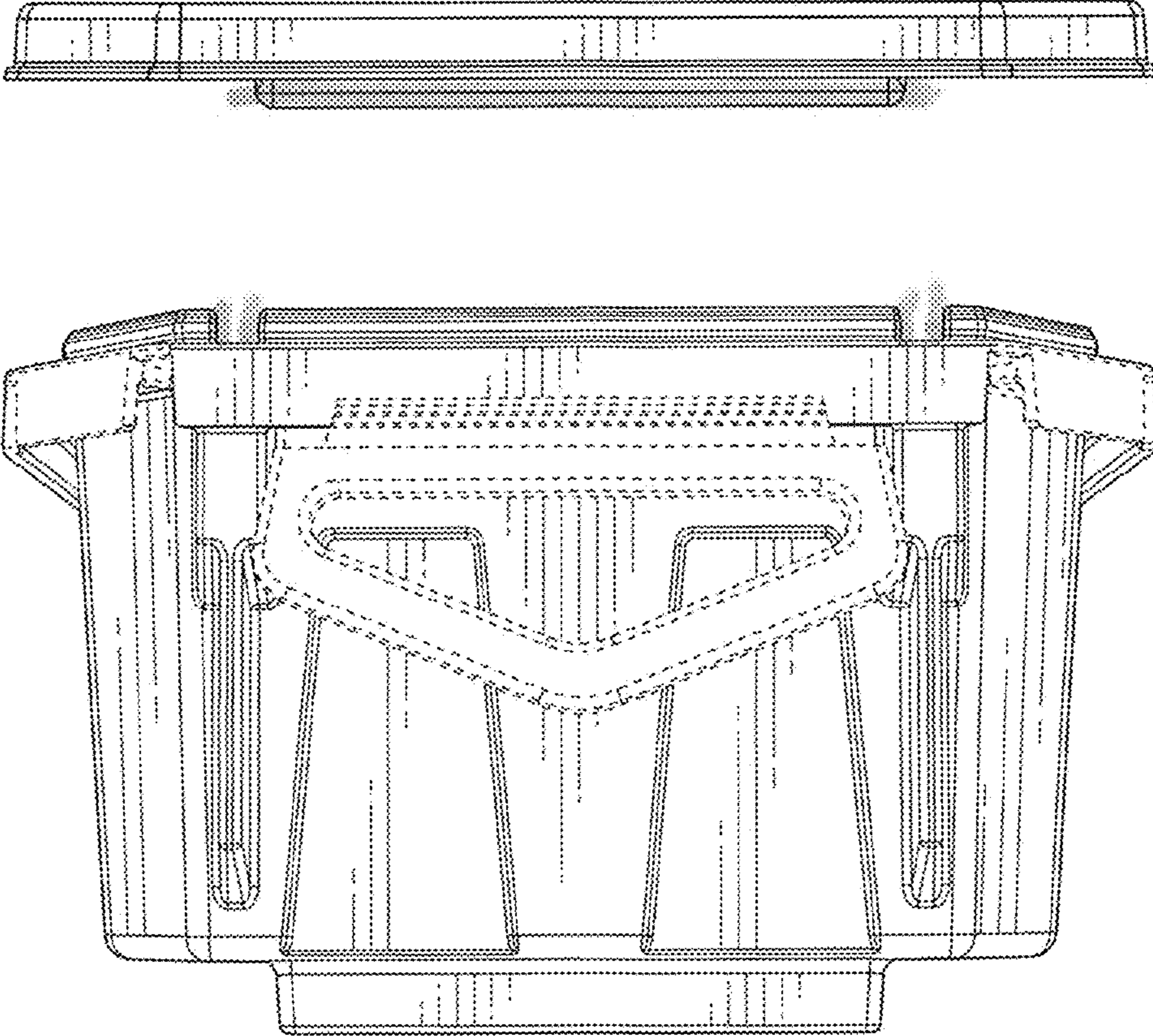


FIG. 12

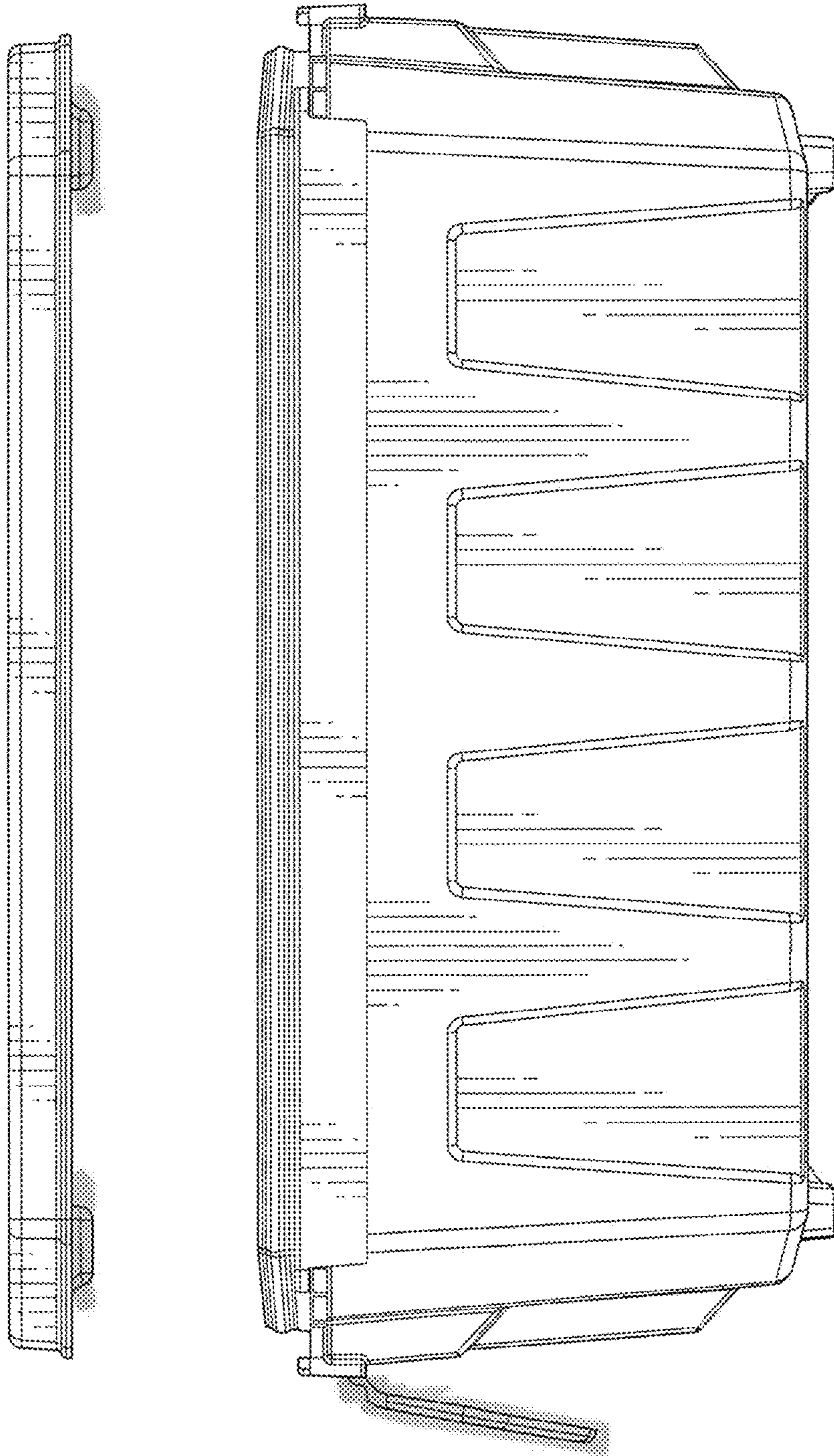


FIG. 13

UNITED STATES PATENT AND TRADEMARK OFFICE
CERTIFICATE OF CORRECTION

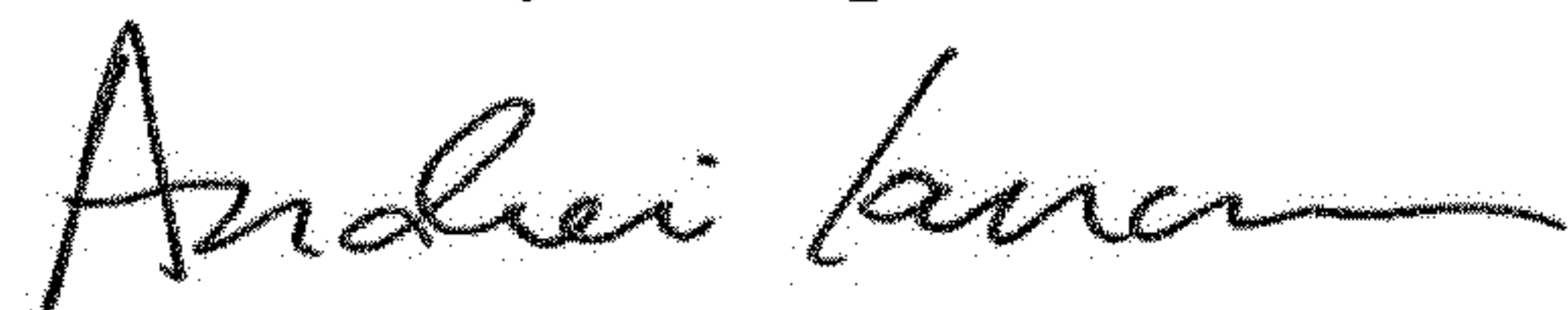
PATENT NO. : D840,803 S
APPLICATION NO. : 29/584705
DATED : February 19, 2019
INVENTOR(S) : Kurt Orent Poorman

Page 1 of 14

It is certified that error appears in the above-identified patent and that said Letters Patent is hereby corrected as shown below:

Delete Drawings 1-13, and replace with attached Drawings 1-13

Signed and Sealed this
Tenth Day of September, 2019



Andrei Iancu
Director of the United States Patent and Trademark Office

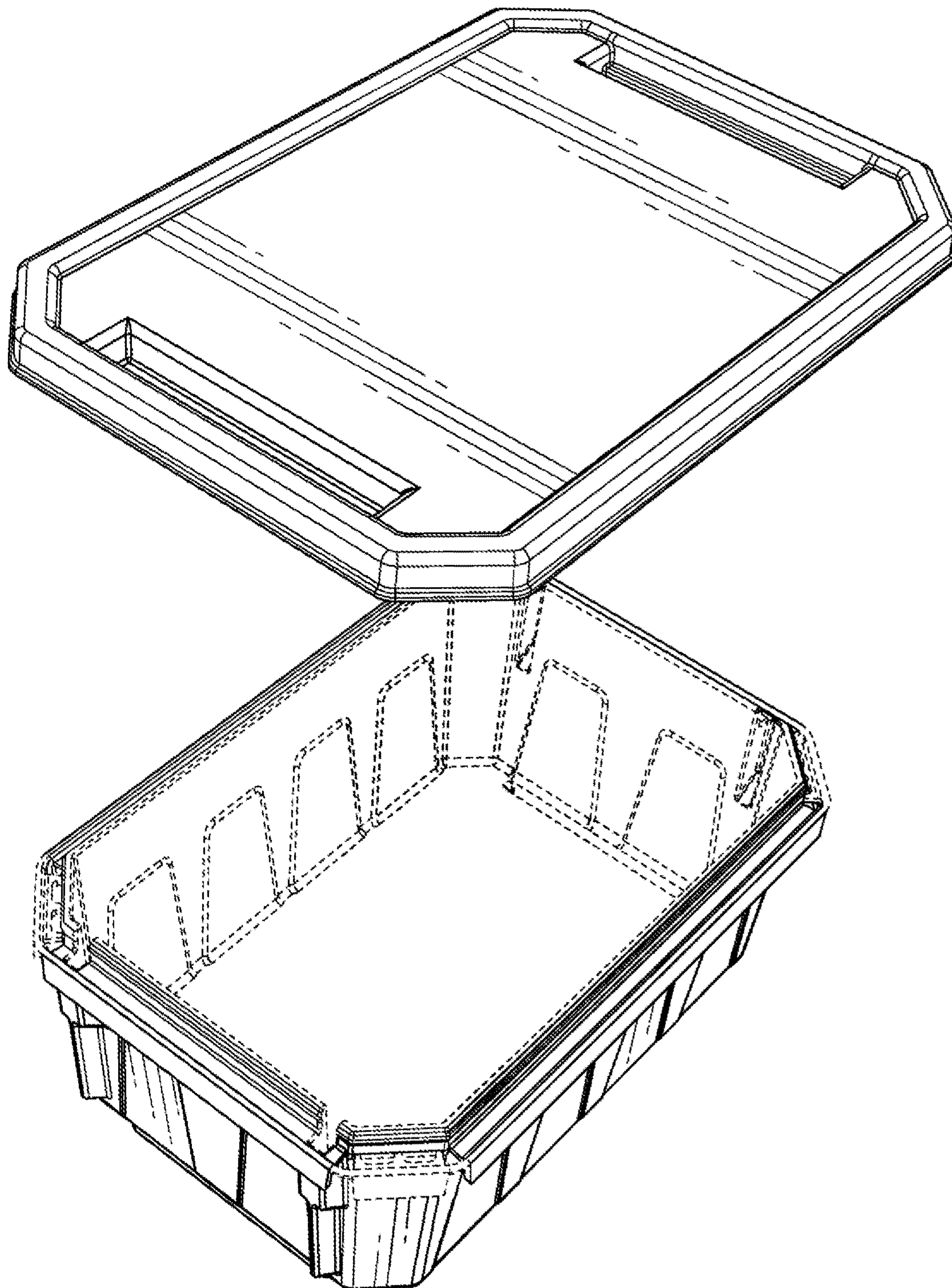


FIG. 1

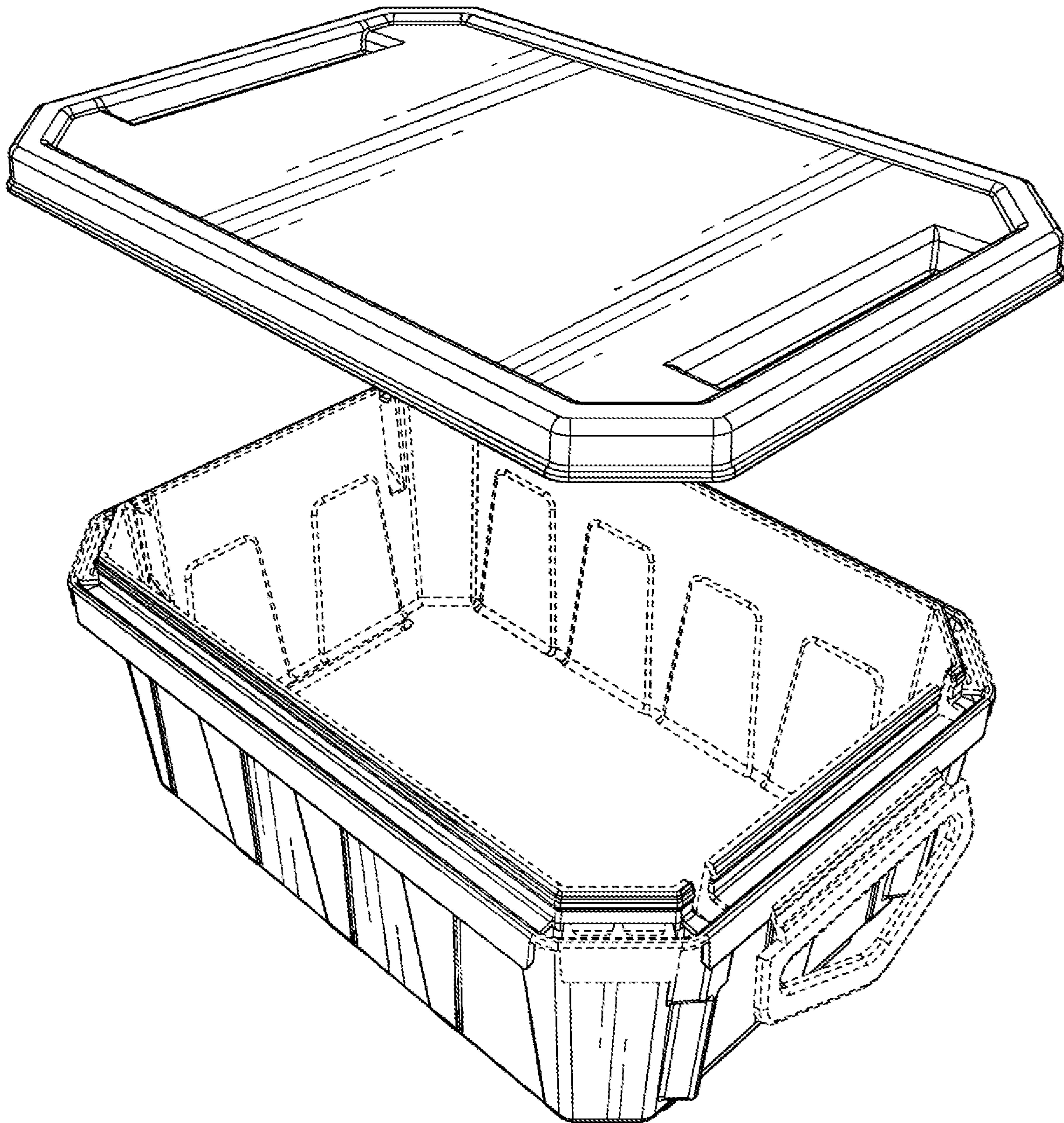


FIG. 2

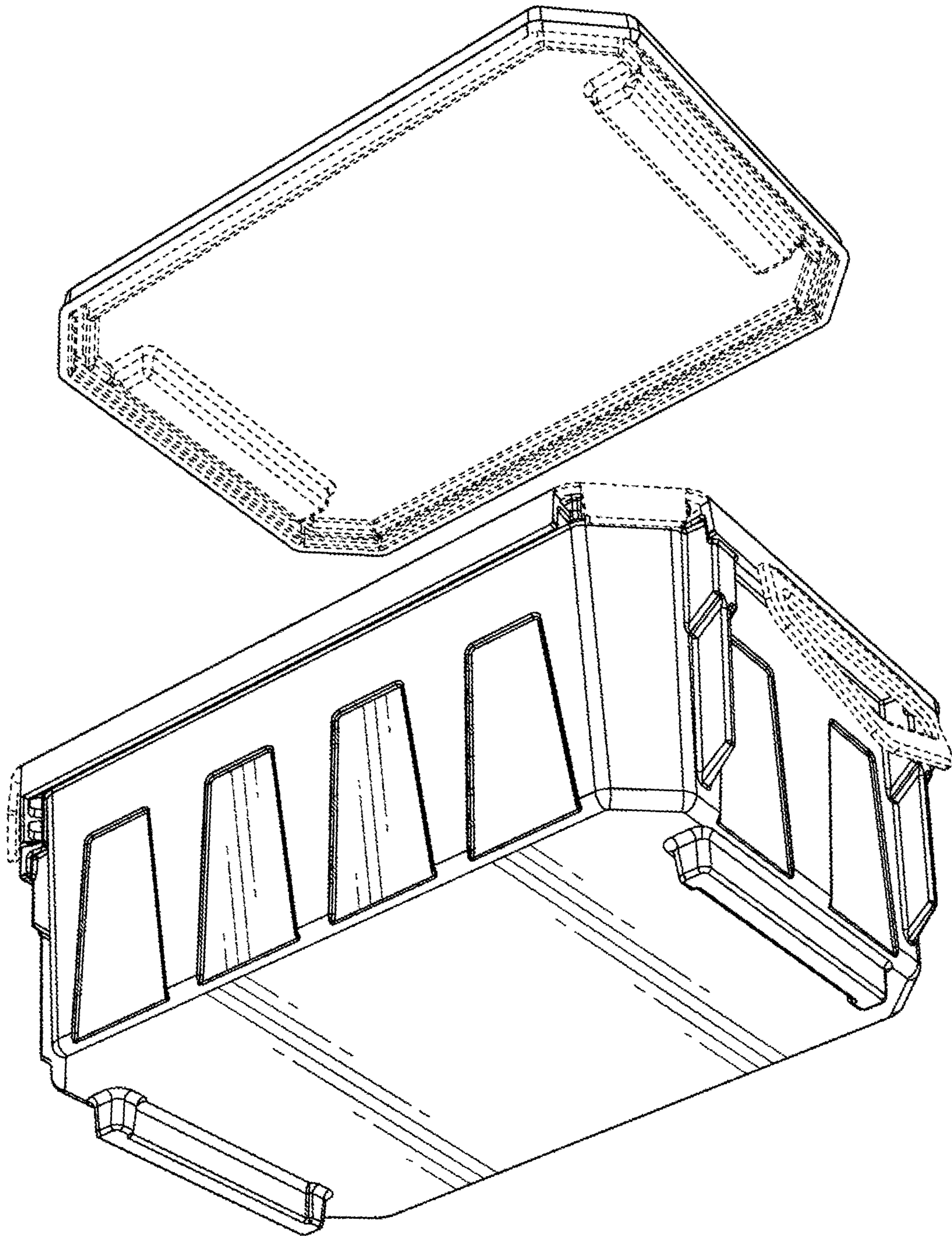


FIG. 3

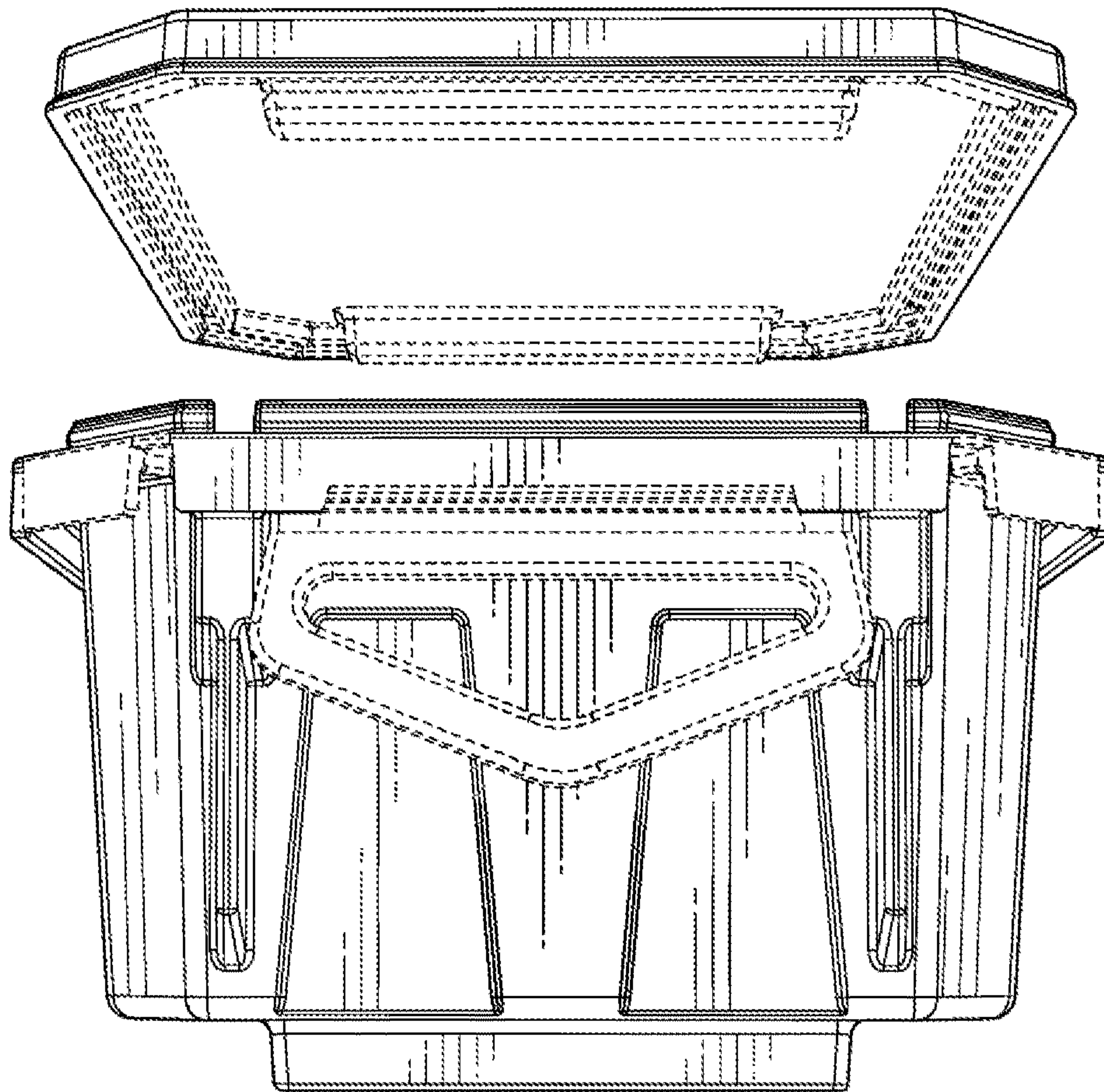


FIG. 4

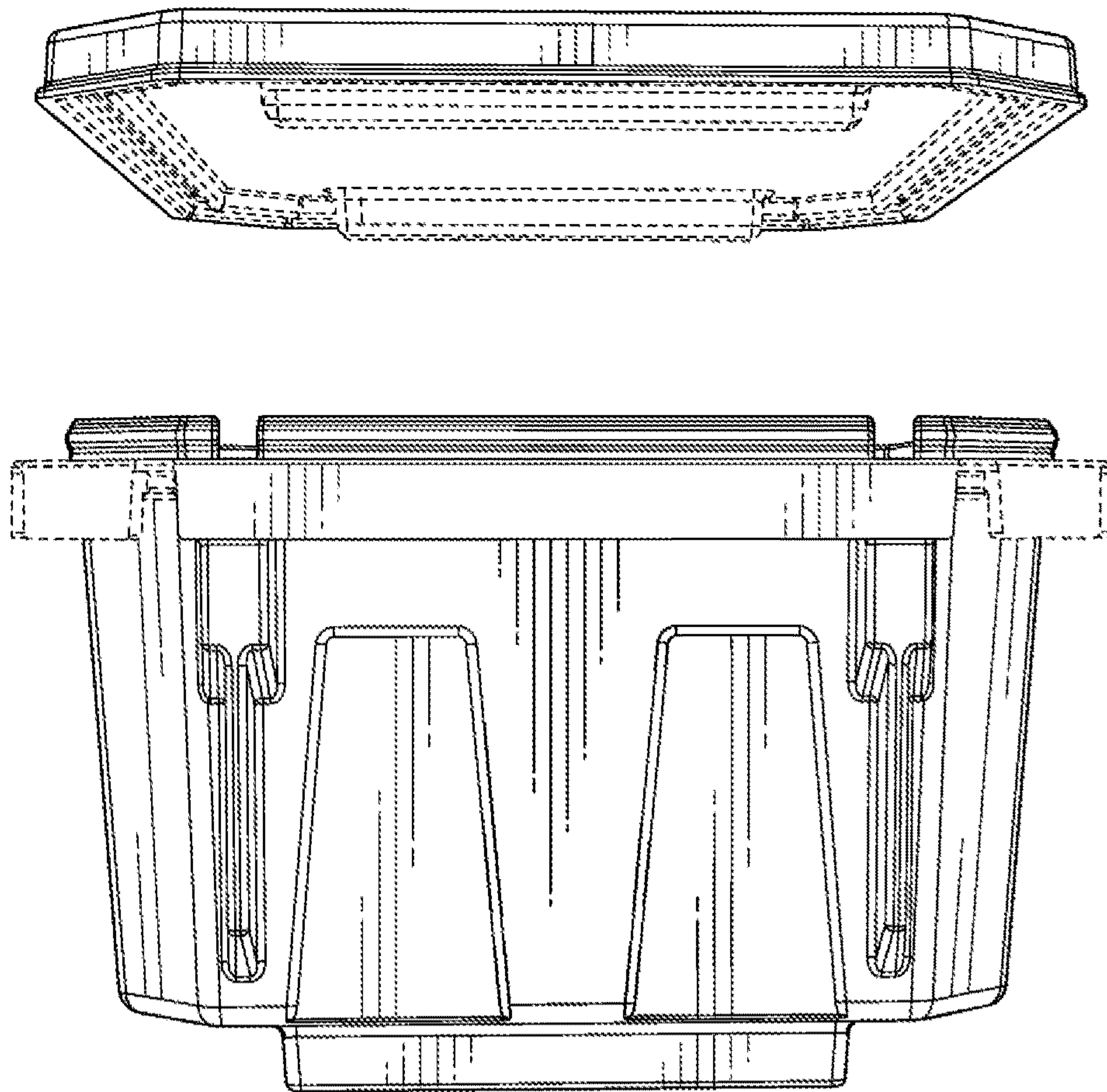


FIG. 5

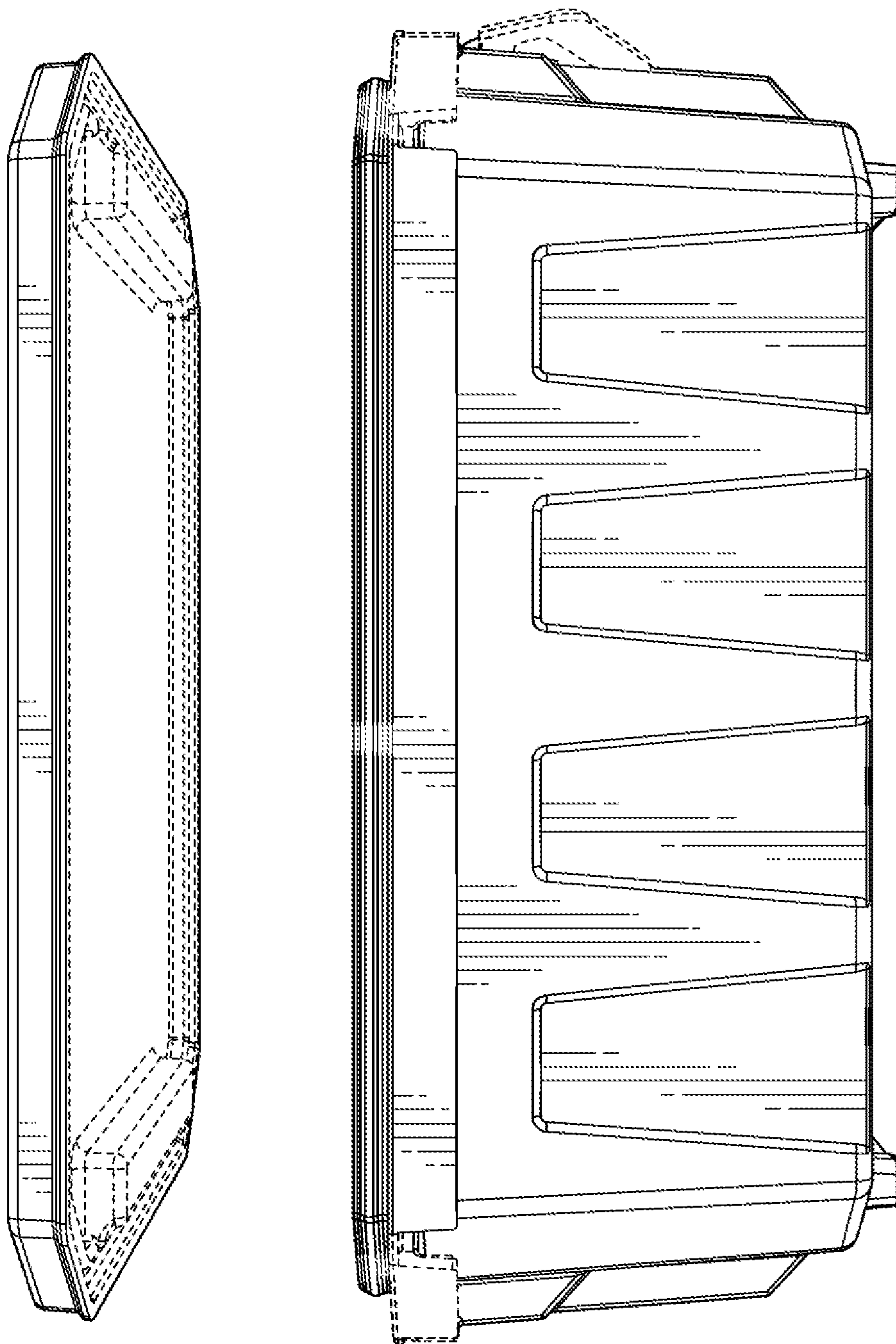


FIG. 6

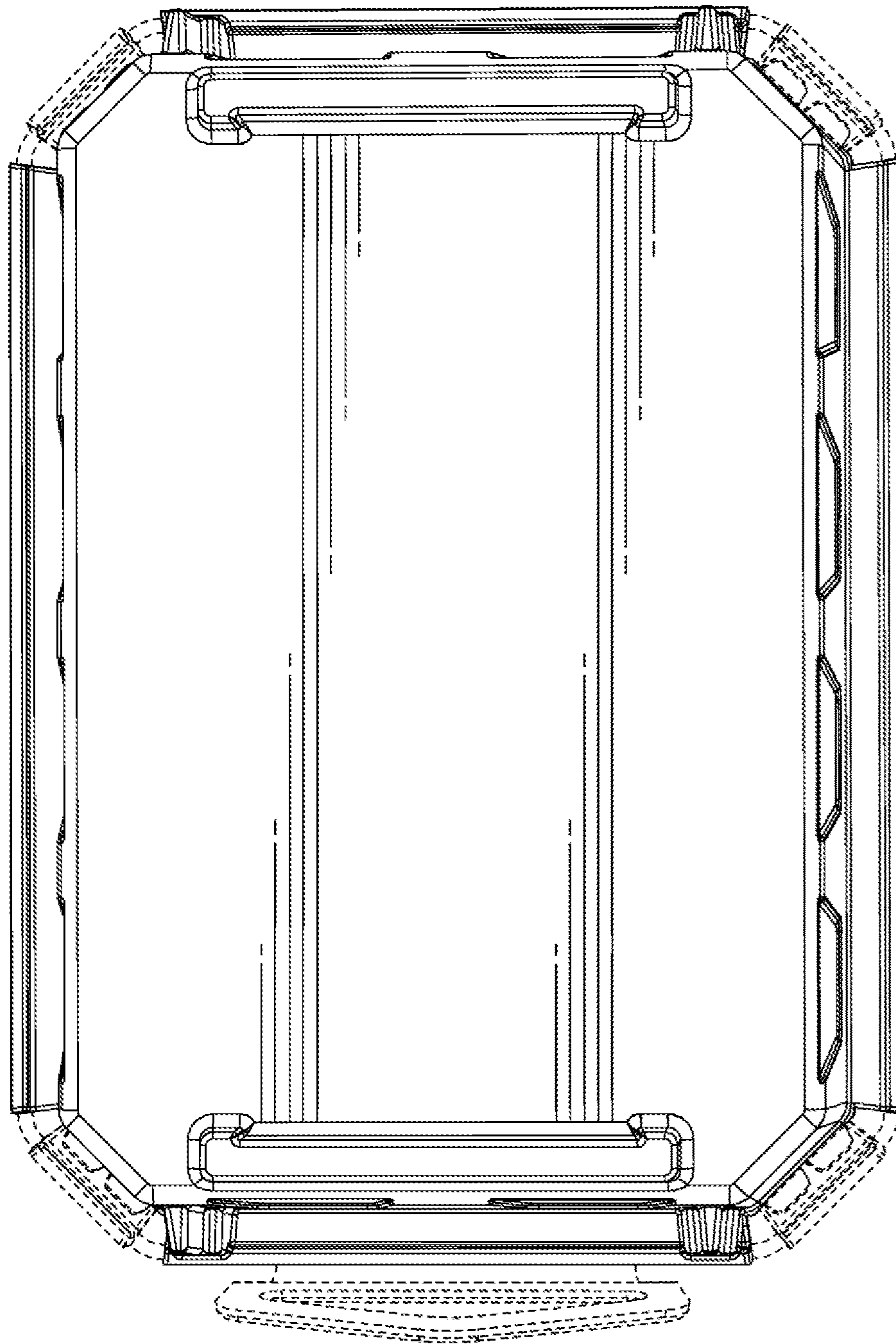


FIG. 7

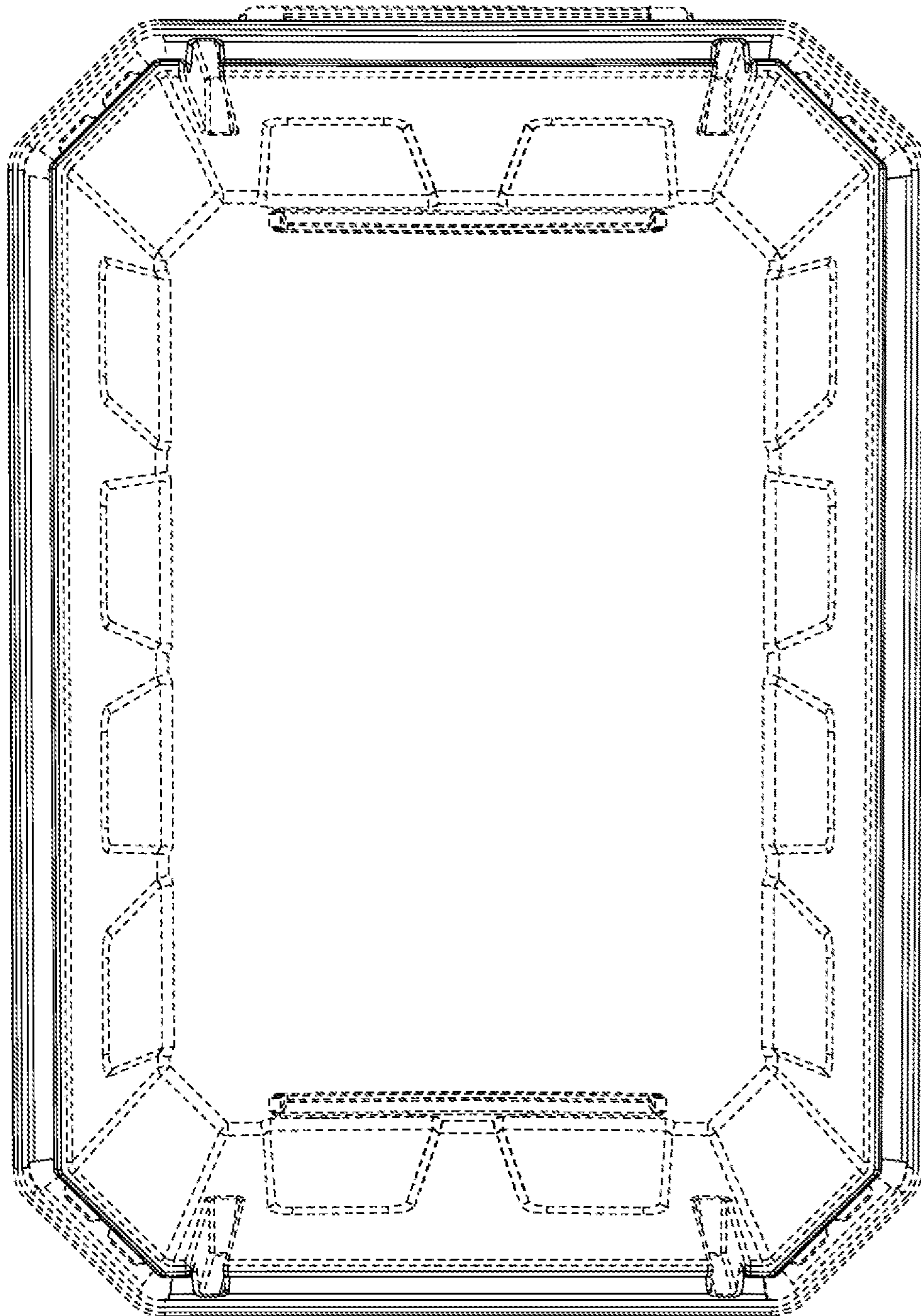


FIG. 8

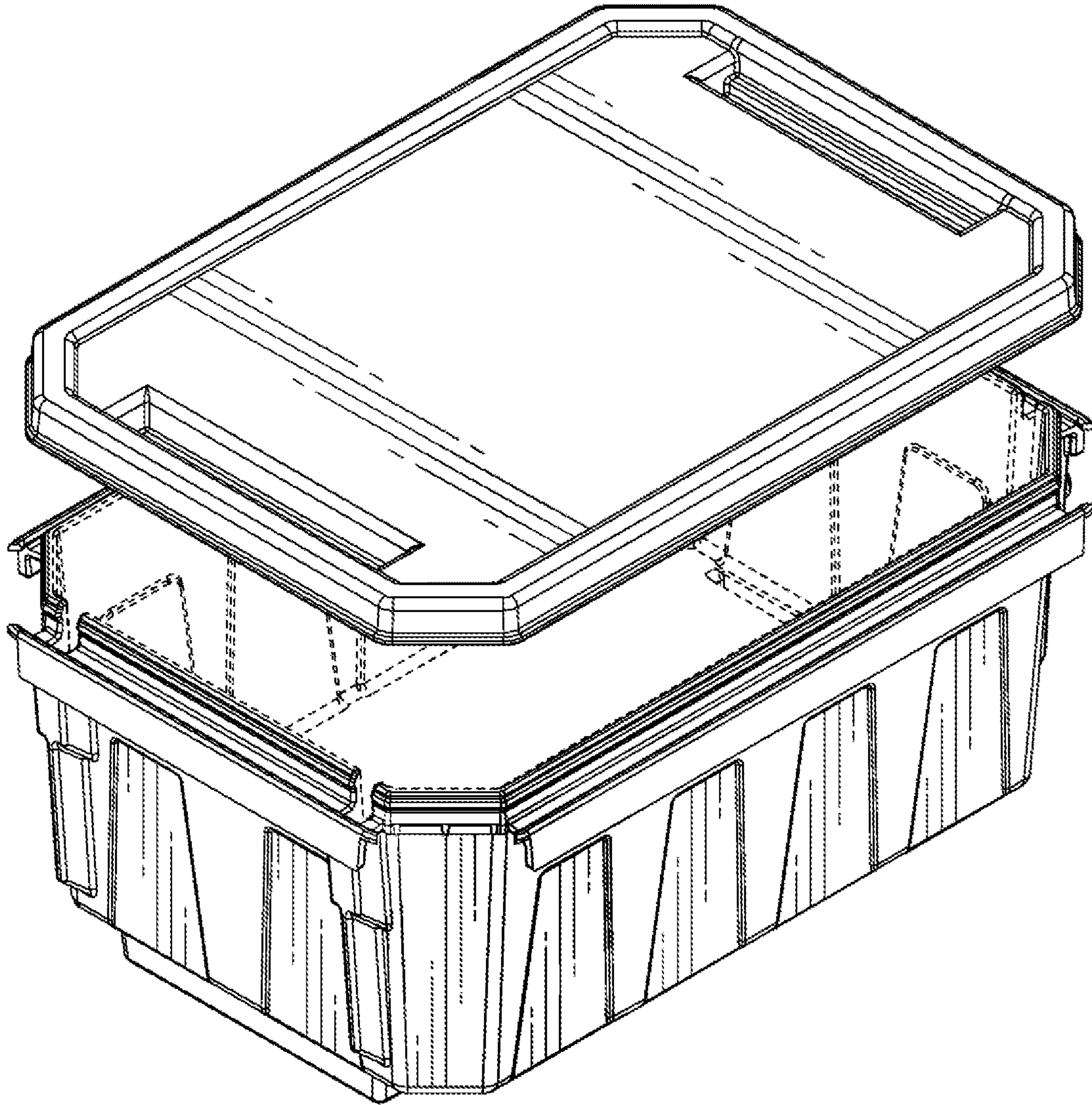


FIG. 9

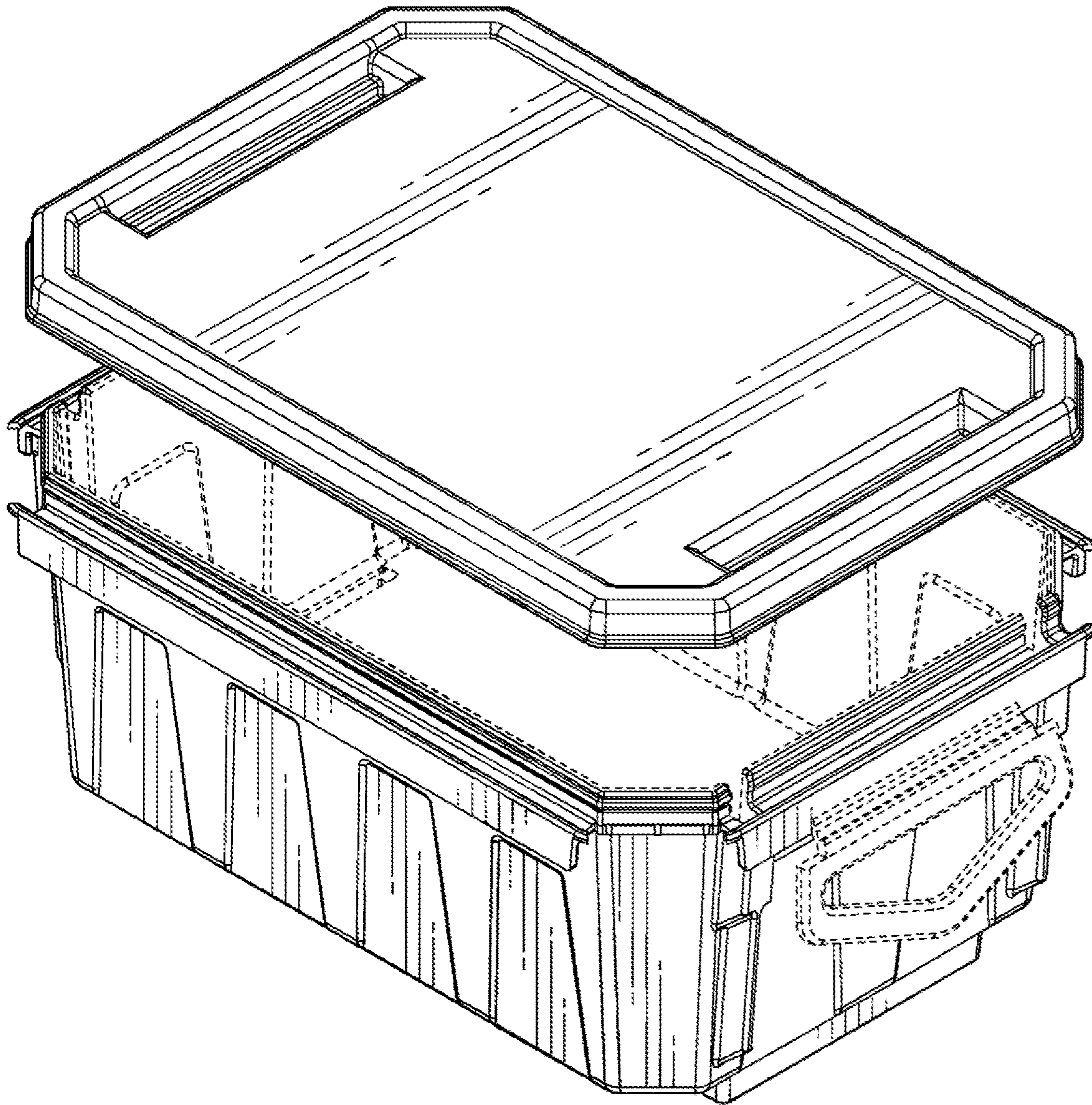


FIG. 10

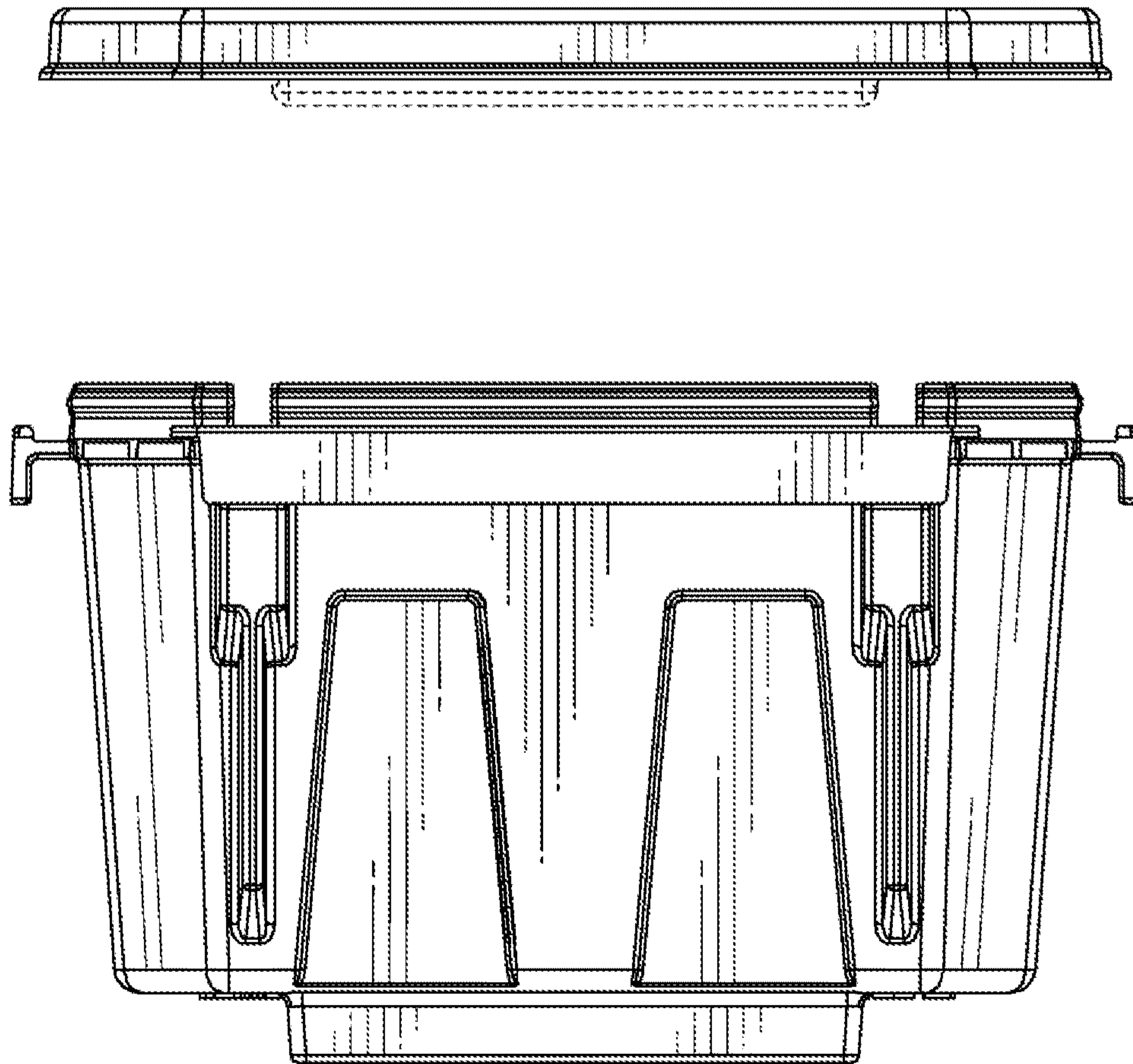


FIG. 11

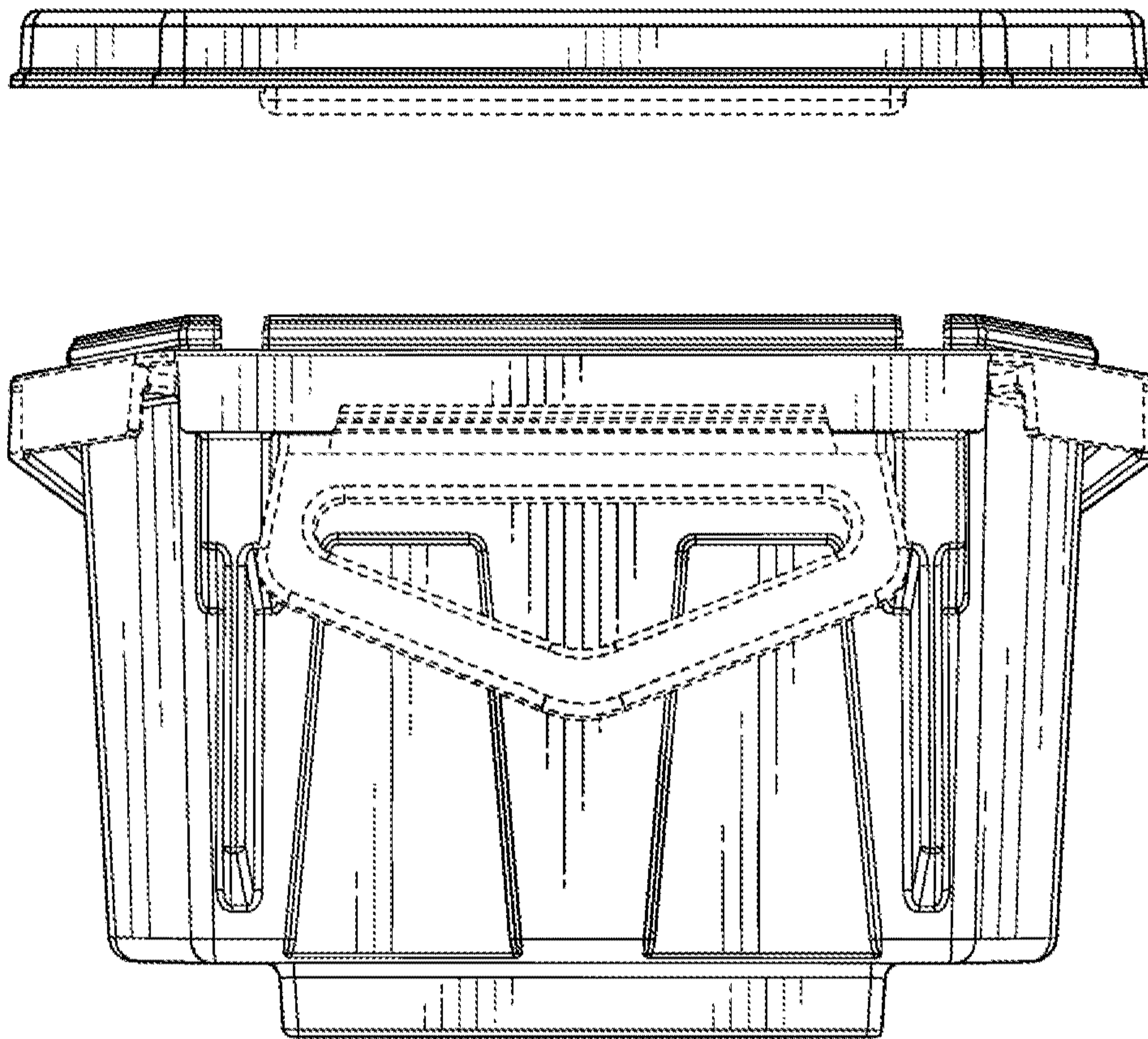


FIG. 12

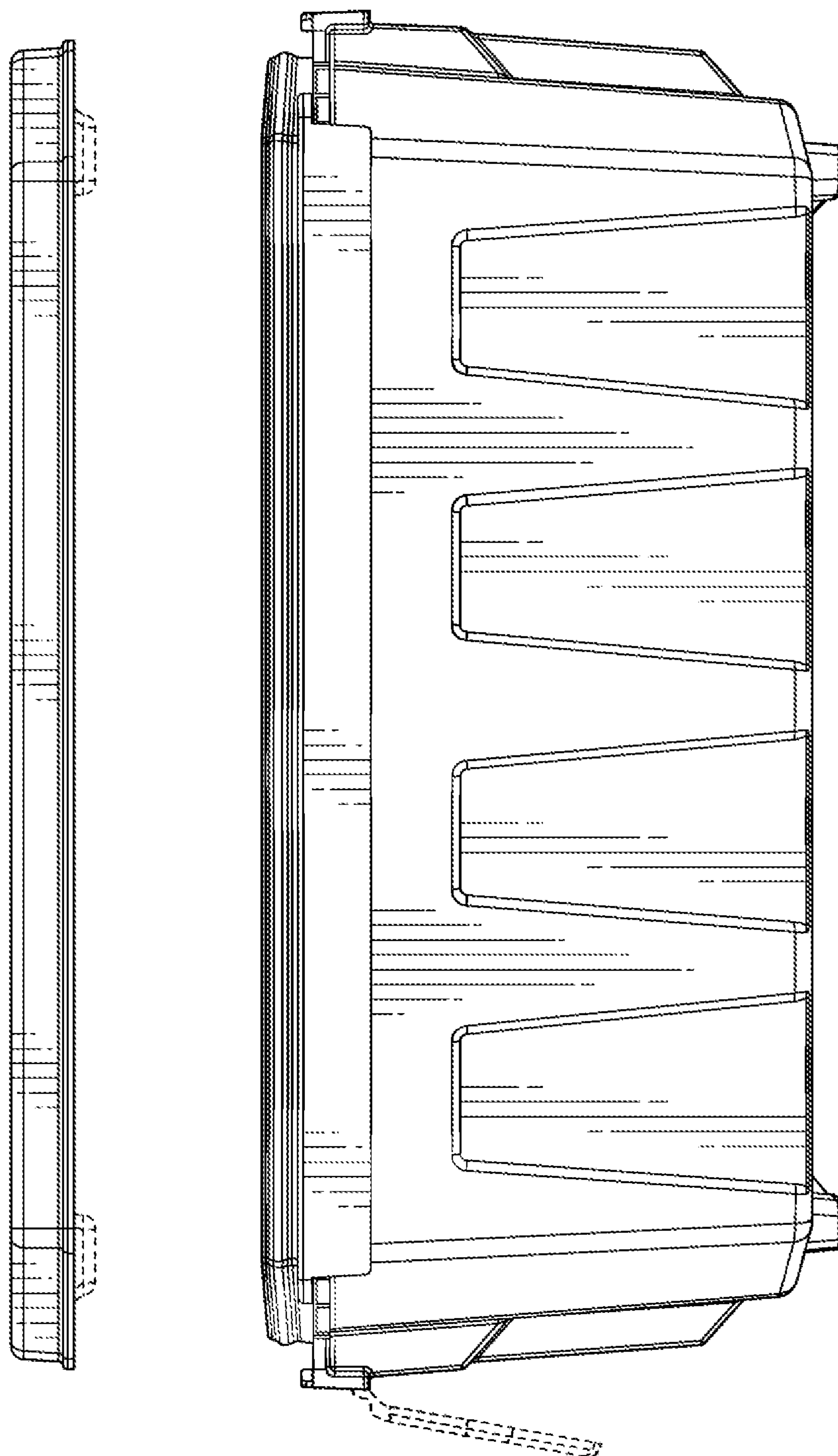


FIG. 13