



US00D840801S

(12) **United States Design Patent** (10) **Patent No.:** **US D840,801 S**  
**Yajko, Jr. et al.** (45) **Date of Patent:** **\*\* Feb. 19, 2019**

(54) **CONTAINER FOR HOLDING A CATALYST**

(71) Applicant: **THE SHERWIN-WILLIAMS COMPANY**, Cleveland, OH (US)

(72) Inventors: **Michael Paul Yajko, Jr.**, Peninsula, OH (US); **Edward Ray Goodwin, Jr.**, Westlake, OH (US)

(73) Assignee: **The Sherwin-Williams Company**, Cleveland, OH (US)

(\*\*) Term: **15 Years**

(21) Appl. No.: **29/625,155**

(22) Filed: **Nov. 7, 2017**

(51) **LOC (11) Cl.** ..... **09-03**

(52) **U.S. Cl.**  
USPC ..... **D9/417**; D9/436; D9/447

(58) **Field of Classification Search**  
USPC ..... D3/318; D7/213, 300, 317, 387, 397, D7/398, 401.1, 590; D8/300, 310, 312, D8/321; D9/434-436, 439, 440, 442, D9/443, 445, 447, 448, 452-454, 499, D9/417; D23/208, 260  
CPC ..... B65D 25/48; B65D 47/06  
See application file for complete search history.

(56) **References Cited**

U.S. PATENT DOCUMENTS

D3,349 S *	1/1869	Rowley	.....	D9/439
D94,116 S *	12/1934	Campbell	.....	D7/300.1
D191,589 S *	10/1961	Schlumbohm	.....	D7/312
D259,014 S *	4/1981	Nelson, Sr.	.....	D7/213
4,491,219 A	1/1985	Lutz		
4,808,006 A	2/1989	Kaufeler		
D306,649 S *	3/1990	Lapicola	.....	D24/121
5,540,326 A	7/1996	Arnold		
D398,060 S *	9/1998	Brown	.....	D24/164
6,047,818 A	4/2000	Warby		
D442,434 S *	5/2001	Klima	.....	D7/510

6,247,586 B1	6/2001	Herzog		
6,520,335 B2	2/2003	Moran		
6,527,110 B2	3/2003	Moscovitz		
7,025,200 B2	4/2006	Fontana		
D559,073 S *	1/2008	Krumpe	.....	D8/310
D583,230 S *	12/2008	Maze	.....	D9/436

(Continued)

OTHER PUBLICATIONS

Brew Jacket. Fermonster Lid. 2017 [earliest online date], [site visited Jan. 30, 2018]. Available from Internet, <URL:https://www.brewjacket.com/product/fermonster-lid/>. (Year: 2017).\*

(Continued)

*Primary Examiner* — Eric L Goodman

*Assistant Examiner* — Darcey E Heflin

(74) *Attorney, Agent, or Firm* — Tucker Ellis LLP; Carlos P. Garritano; Patrick F. Clunk

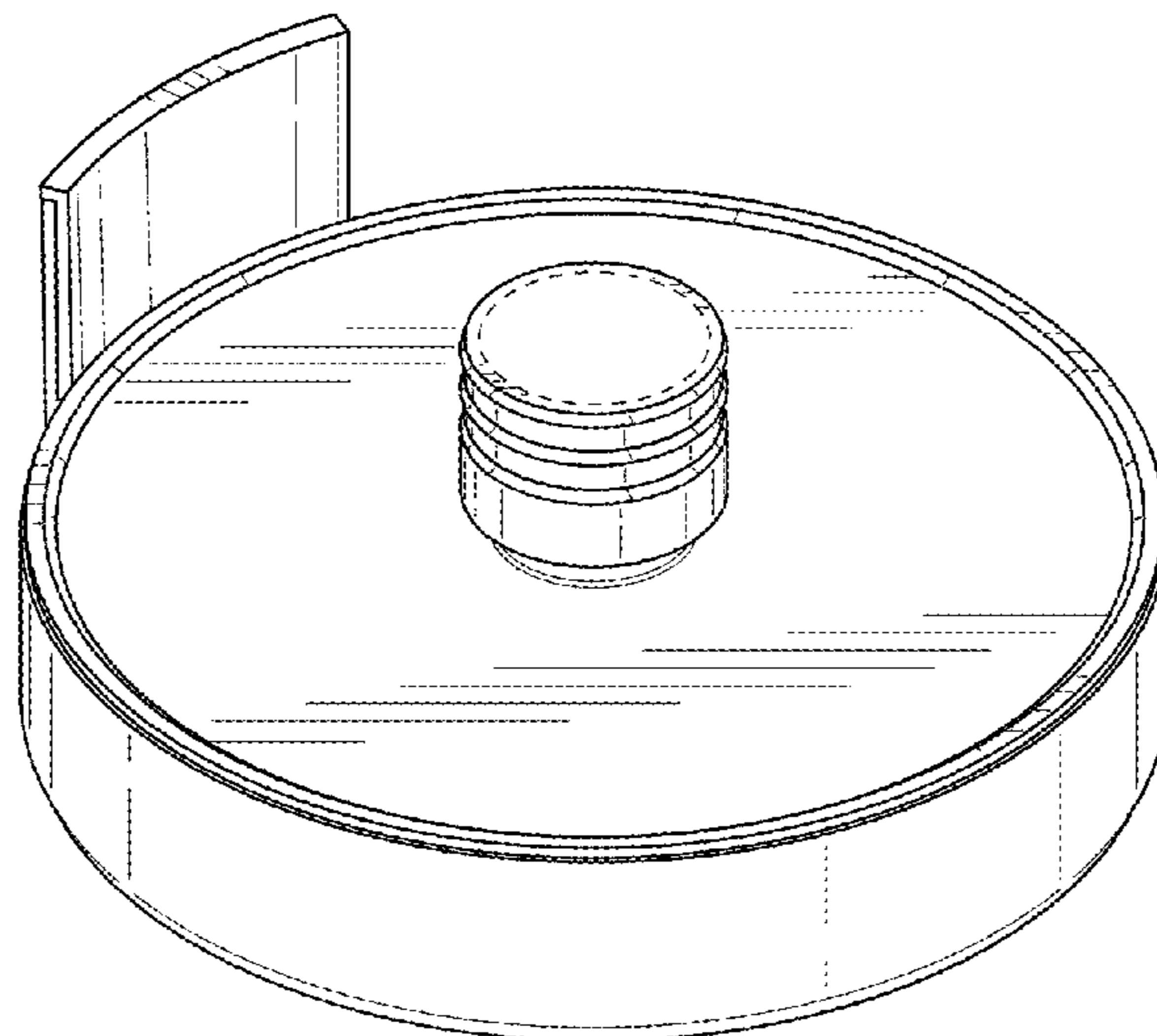
(57) **CLAIM**

The ornamental design for a container for holding a catalyst, as shown and described.

**DESCRIPTION**

FIG. 1 is a perspective view of a container for holding a catalyst showing a new design; FIG. 2 is a top view of the container illustrated in FIG. 1; FIG. 3 is a bottom view of the container illustrated in FIG. 1; FIG. 4 is a left side view of the container illustrated in FIG. 1; FIG. 5 is a right side view of the container illustrated in FIG. 1; FIG. 6 is a front view of the container illustrated in FIG. 1; and, FIG. 7 is a rear view of the container illustrated in FIG. 1. The broken lines in the drawings illustrate the portions of the container that form no part of the claimed design.

**1 Claim, 3 Drawing Sheets**



(56)

**References Cited**

U.S. PATENT DOCUMENTS

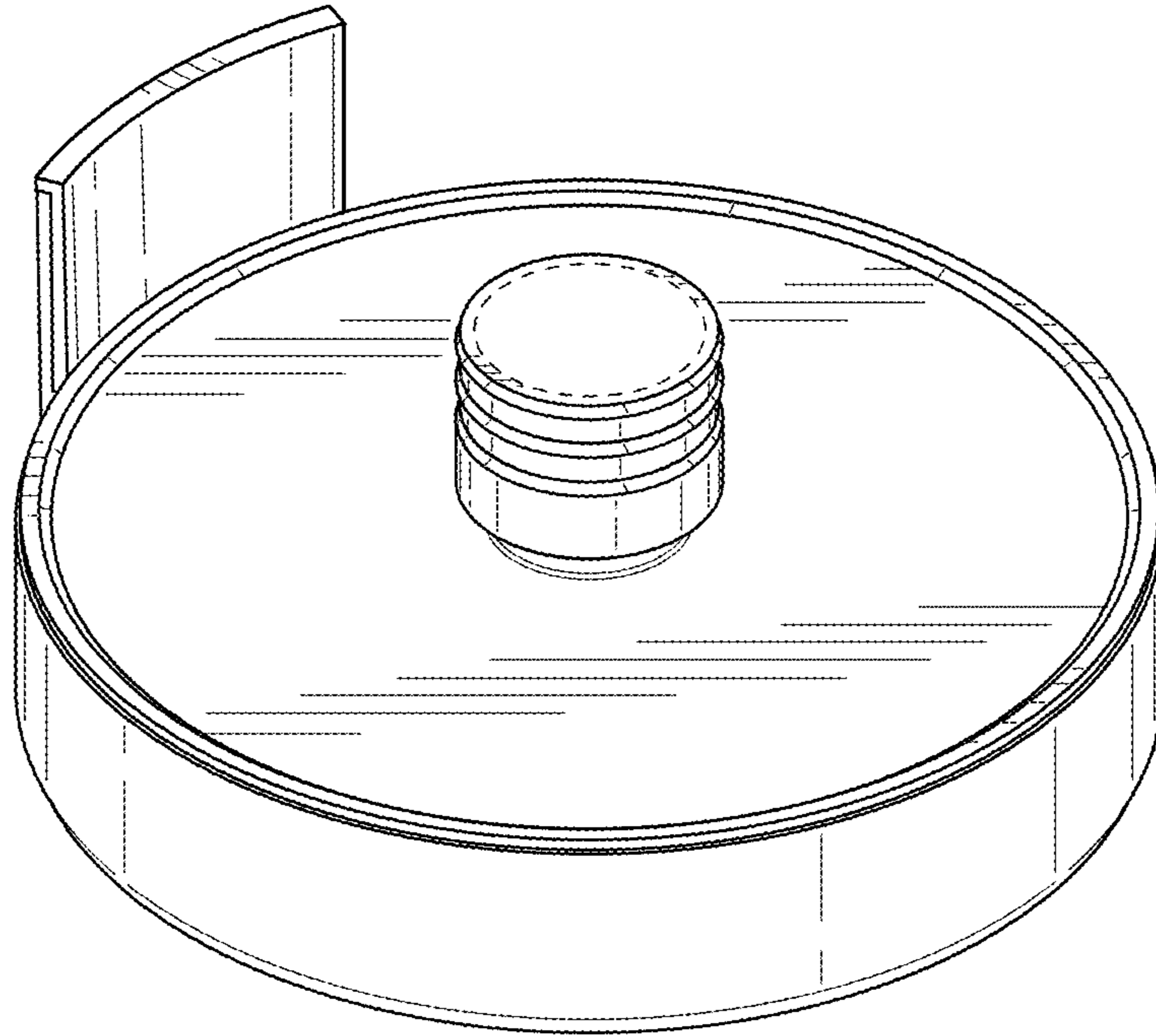
D596,487 S \* 7/2009 Batton ..... D9/447  
 D613,828 S \* 4/2010 Kinchen ..... D23/260  
 7,815,384 B2 10/2010 Parks  
 D666,096 S \* 8/2012 Cummings ..... D9/447  
 D705,048 S \* 5/2014 Downer ..... D9/417  
 D708,946 S \* 7/2014 Hutchison ..... D9/447  
 D720,217 S \* 12/2014 Oates ..... D7/398  
 D723,917 S \* 3/2015 Koffel ..... D9/447  
 D751,394 S \* 3/2016 Chartier ..... D9/440  
 D752,435 S \* 3/2016 Willows ..... D9/447  
 9,409,193 B2 8/2016 Parks  
 D772,713 S \* 11/2016 Chapman ..... D9/434  
 D779,325 S \* 2/2017 Vigoureux ..... D7/601  
 D787,263 S \* 5/2017 Baron ..... D7/391  
 D799,215 S \* 10/2017 Pacha ..... D3/318  
 2008/0245271 A1 10/2008 Trabesinger

2008/0283425 A1 11/2008 Trabesinger  
 2008/0314518 A1 12/2008 Sutter  
 2010/0236952 A1 9/2010 Masterson  
 2014/0252003 A1 9/2014 Reeves

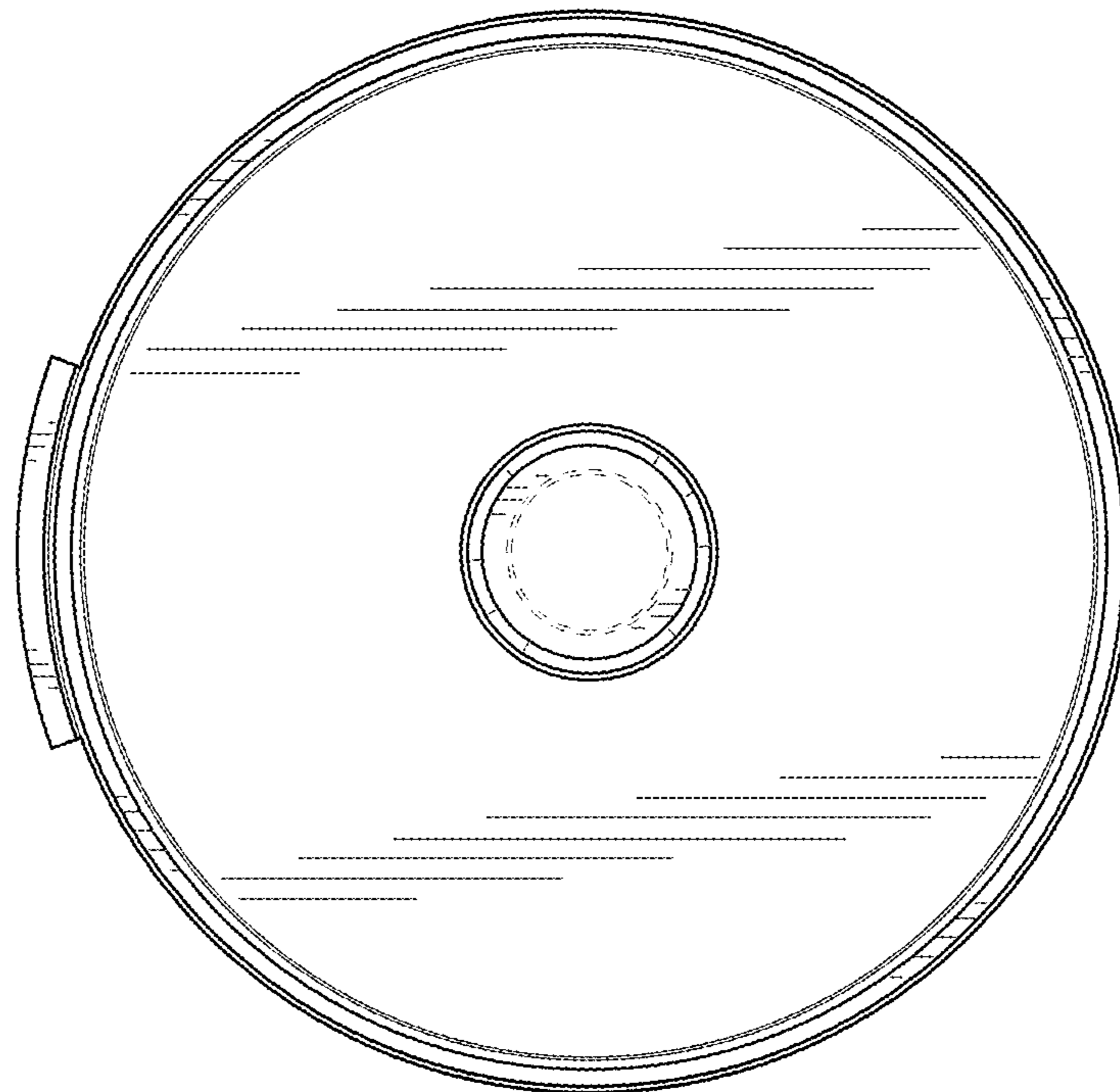
OTHER PUBLICATIONS

Distribution Robitaille Barails et Seaux de plastique et de metal;  
<http://drobitaille.com/en/dual-compartment-metal-for-two-component-glues>; Oct. 20, 2017; 2 pages. Copyright 1995-2016 Metal & Plastic Pails Distribution Robitaille Seaux de Plastique et Seaux de Metal.  
<http://plaspakinc.com>; Oct. 20, 2017; Copyright 2009, 1 page.  
<http://vobaker.com/Introduction/>; Oct. 20, 2017; 2 pages. Cartridge Application Technologies (CAT) Introduction.  
<http://www.kitpackers.com/packaging-systems/2-component>; Oct. 20, 2017; 2 pages.

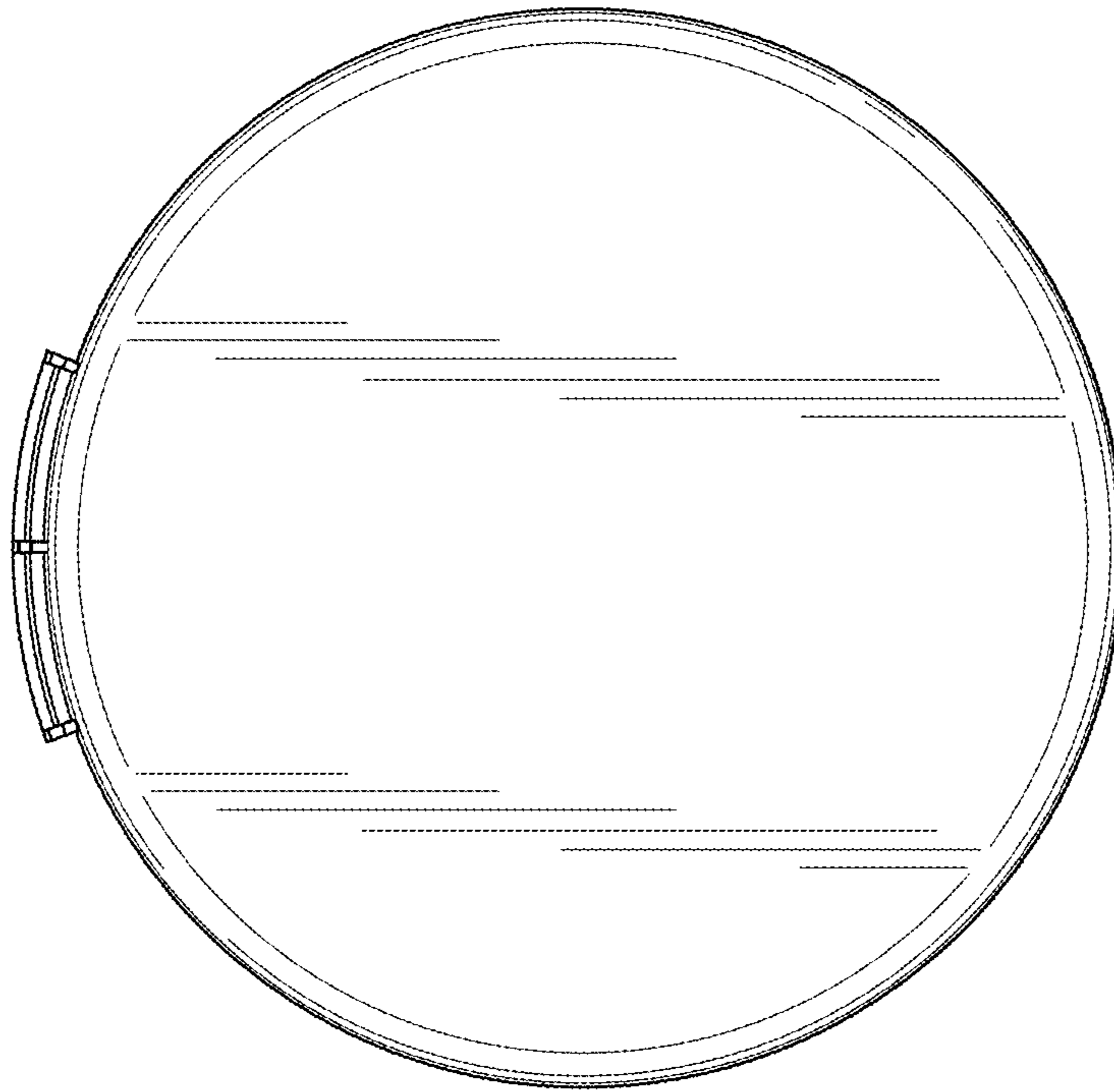
\* cited by examiner



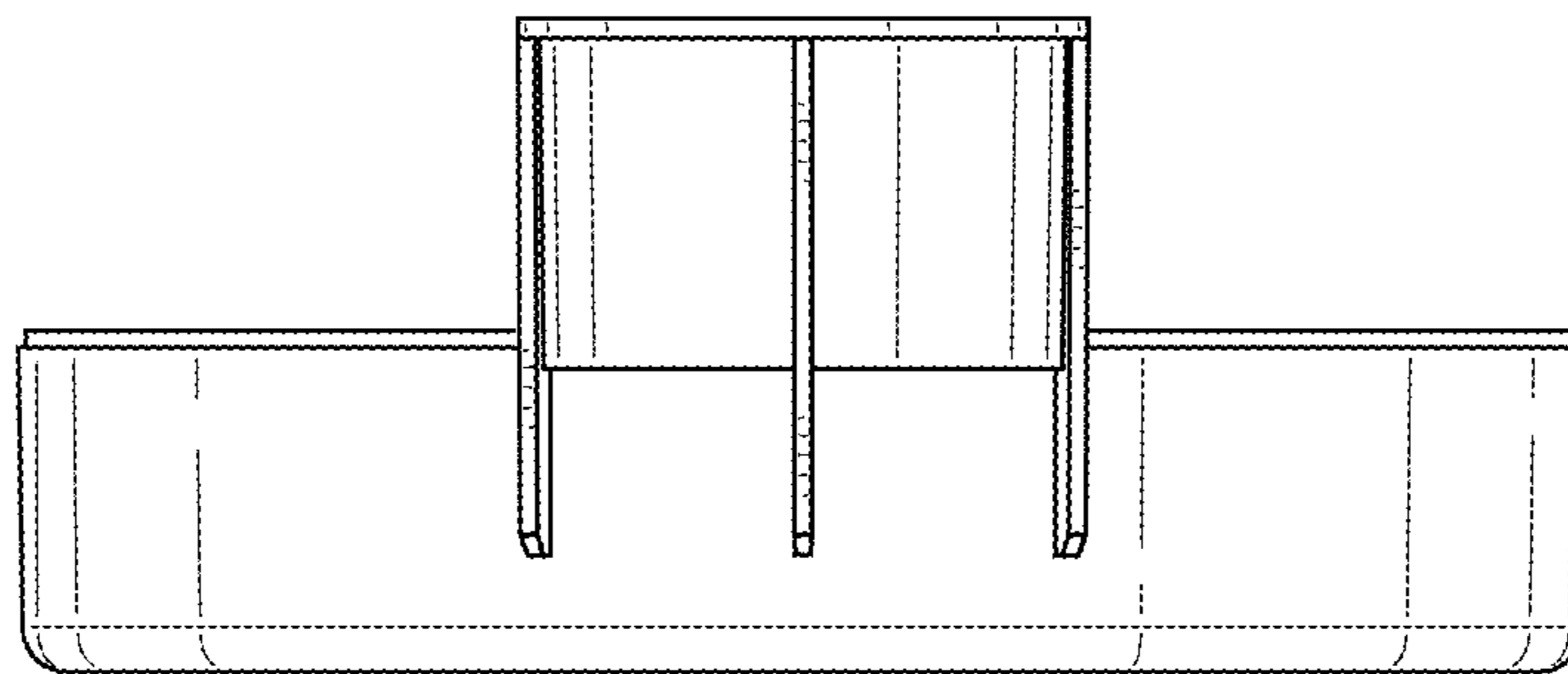
**FIG. 1**



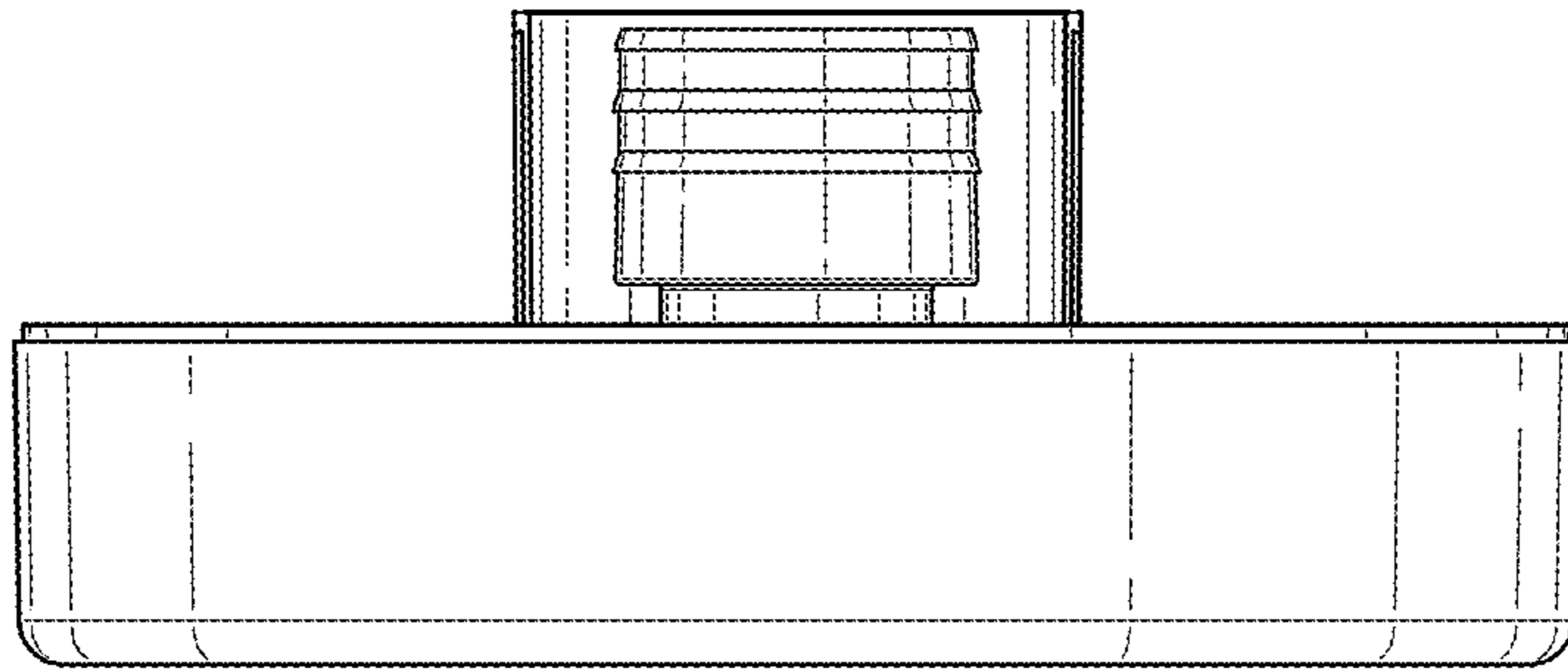
**FIG. 2**



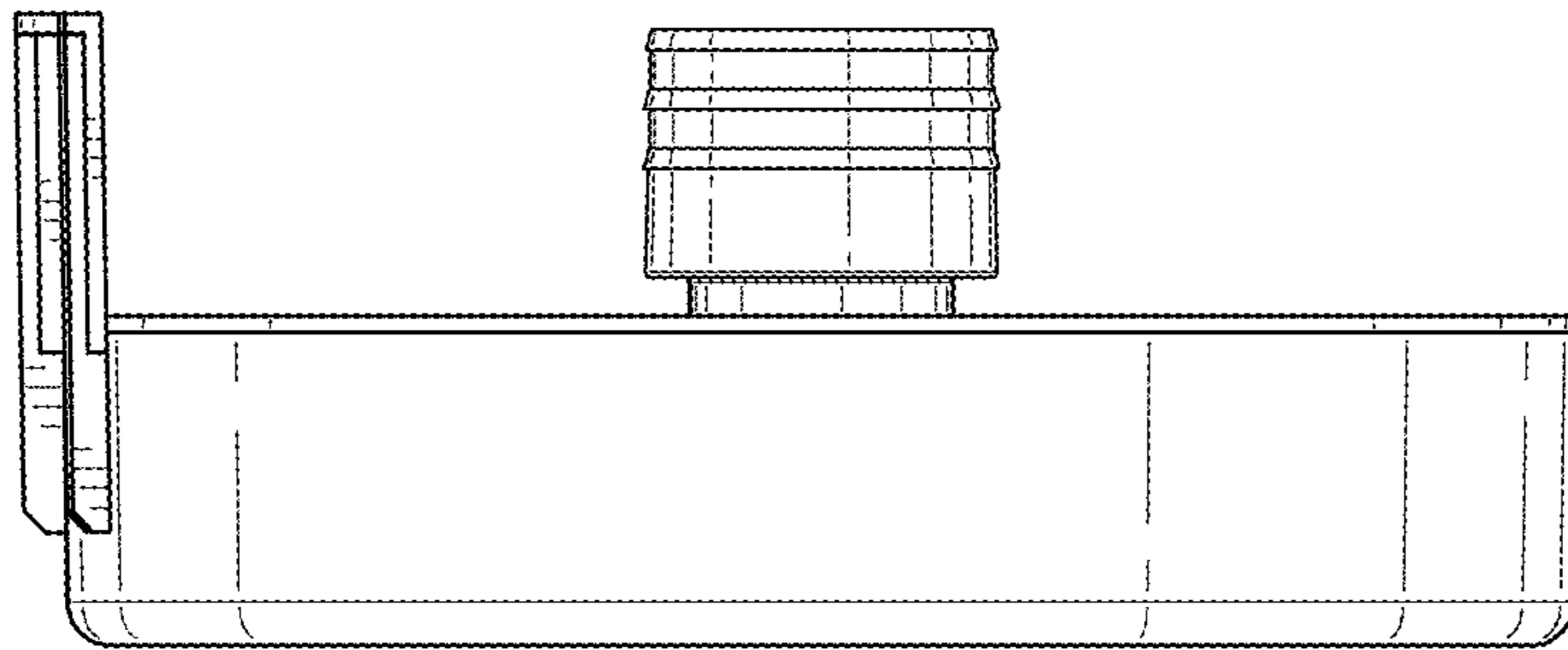
**FIG. 3**



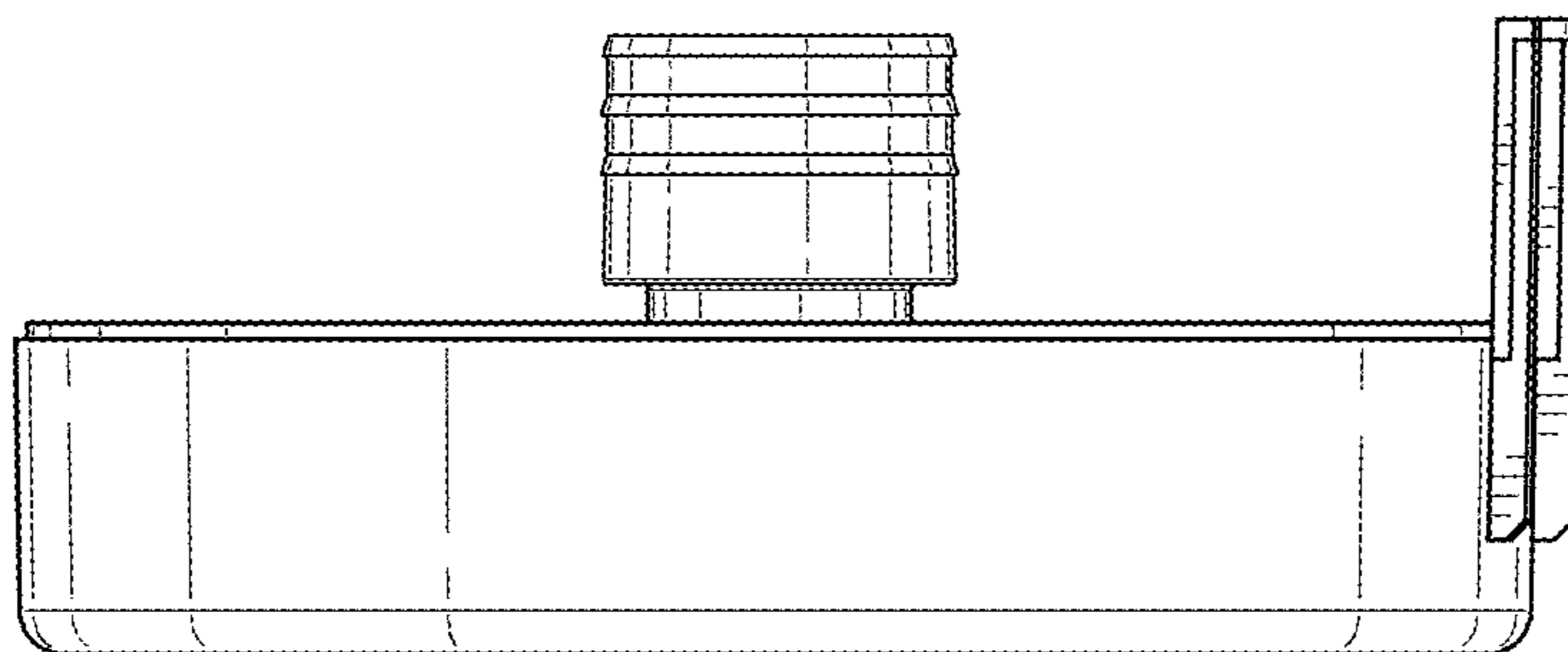
**FIG. 4**



**FIG. 5**



**FIG. 6**



**FIG. 7**