



US00D840800S

(12) **United States Design Patent** (10) **Patent No.:** **US D840,800 S**
Farrell (45) **Date of Patent:** **** Feb. 19, 2019**

(54) **COMBINED PACKAGE, CONTAINER AND ORAL APPLIANCE**

FOREIGN PATENT DOCUMENTS

(71) Applicant: **MYOSA PTY LTD**, Helensvale QLD (AU)

AU 2013205854 A1 3/2014
DE 202013008189 U1 1/2015

(Continued)

(72) Inventor: **Christopher John Farrell**, Helensvale (AU)

OTHER PUBLICATIONS

(73) Assignee: **MYOSA PTY LTD**, Helensvale (AU)

<https://www.elastoplast.com.au/products/mouthguards/youth-mouthguard-jaws-loc/au>, "Jaws Youth Mouthguard", Elastoplast, Jun. 19, 2017, 1 sheet.

(**) Term: **15 Years**

(Continued)

(21) Appl. No.: **29/597,916**

Primary Examiner — Barbara Fox

(22) Filed: **Mar. 21, 2017**

Assistant Examiner — Mehri F Bajoul

(30) **Foreign Application Priority Data**

(74) *Attorney, Agent, or Firm* — Ohlandt, Greeley, Ruggiero & Perle, L.L.P.

Sep. 23, 2016 (AU) 201615372
Sep. 23, 2016 (AU) 201615375
Sep. 23, 2016 (AU) 201615380
Sep. 23, 2016 (AU) 2016903871

(57) **CLAIM**

(51) **LOC (11) Cl.** **09-03**

The ornamental design for a combined package, container and oral appliance, as shown and described.

(52) **U.S. Cl.**

USPC **D9/415**

(58) **Field of Classification Search**

DESCRIPTION

USPC D9/414–418, 420, 430, 432–433, 441, D9/521, 424–425, 635, 451, 501, 504, D9/531, 533–554, 564–575, 686–699, D9/701–702, 710–711, 722–723, 736, D9/740, 752, 755–756; D24/152, 156
CPC B65D 43/161; B65D 43/163; B65D 17/12; A45D 40/0087

FIG. 1 is a front, left side perspective view of a combined package, container and oral appliance showing my new design;

FIG. 2 is a front elevational view thereof;

FIG. 3 is a rear elevational view thereof;

FIG. 4 is a right side elevational view thereof;

FIG. 5 is a left side elevational view thereof;

FIG. 6 is a top plan view thereof; and,

FIG. 7 is a bottom plan view thereof.

See application file for complete search history.

In the drawings, the dash-dash lines depict portions of the combined package, container and oral appliance that form no part of the claimed design, and the dash-dot-dash broken lines depict the boundary of the claim and form no part of the claimed design.

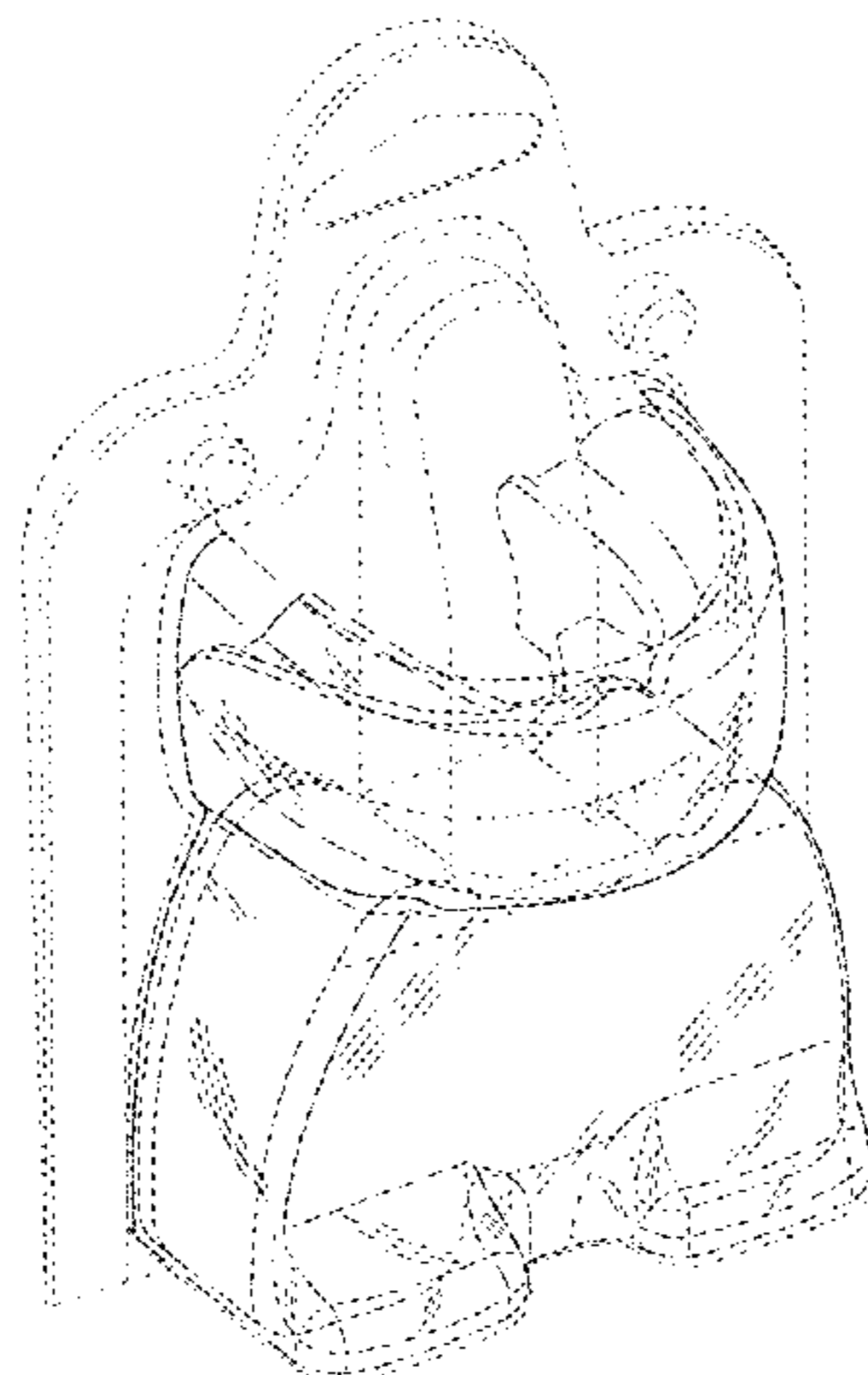
(56) **References Cited**

U.S. PATENT DOCUMENTS

D330,331 S * 10/1992 Hsiao D9/732
D366,828 S * 2/1996 Bachand D9/425
D379,301 S * 5/1997 Lippincott D9/424
D415,679 S * 10/1999 Hata D9/415

(Continued)

1 Claim, 5 Drawing Sheets



(56)

References Cited

U.S. PATENT DOCUMENTS

6,079,561 A * 6/2000 Burkard B65D 75/323
206/459.5

6,227,369 B1 5/2001 Glassman

6,345,716 B1 2/2002 Chapman

6,474,471 B1 11/2002 Miyake

D531,054 S * 10/2006 Sagel D9/424

D534,795 S * 1/2007 Manuel D9/424

D596,023 S * 7/2009 Moskowitz D9/418

D606,392 S * 12/2009 Prevost D9/415

D623,935 S * 9/2010 Kim D9/415

D642,048 S * 7/2011 Ocampo D9/424

D672,557 S * 12/2012 Farrell D24/176

D679,862 S * 4/2013 Sunder D28/8.1

D697,398 S * 1/2014 Guevara-Ludt D9/415

D700,509 S * 3/2014 Shirley D9/424

D711,735 S * 8/2014 Atkinson D9/415

D716,951 S * 11/2014 Farrell D24/176

D717,450 S * 11/2014 Farrell D24/181

D734,474 S * 7/2015 Farrell D24/176

D745,385 S * 12/2015 Palsson D9/415

D752,230 S * 3/2016 Farrell D24/176

D758,180 S * 6/2016 Wintmolders D9/415

D781,696 S * 3/2017 Hubner D9/415

D785,865 S * 5/2017 Rigobert D28/8.1

D786,501 S * 5/2017 Rigobert D28/8.1

D799,049 S * 10/2017 Farrell D24/181

D800,317 S * 10/2017 Farrell D24/181

2001/0007308 A1 * 7/2001 Glassman B65D 25/22
206/469

2004/0149615 A1 * 8/2004 Eisenbraun B65D 75/36
206/461

2013/0161220 A1 * 6/2013 Hansen B65D 73/0092
206/463

2015/0225139 A1 * 8/2015 Baker B65D 25/04
206/45.24

FOREIGN PATENT DOCUMENTS

JP 1069887 S 2/2000

WO 2016023221 A1 2/2016

OTHER PUBLICATIONS

<https://web.archive.org/web/20160308033800/https://www.elastoplast.com.au/products/mouthguards/adult-mouthguard-jaws-loc-AU>, published on Mar. 8, 2016 as per Wayback Machine.

Australian International Search Report for the Australian Provisional application 2016/903871, dated Aug. 29, 2017, 14 pages.

Decision to Grant dated Mar. 23, 2018 from corresponding Russian Patent Application No. 2017501311/49, 6 pages.

Australian International Search Report for the corresponding application PCT/AU2016/903,871, dated Aug. 29, 2017, 14 pages.

* cited by examiner

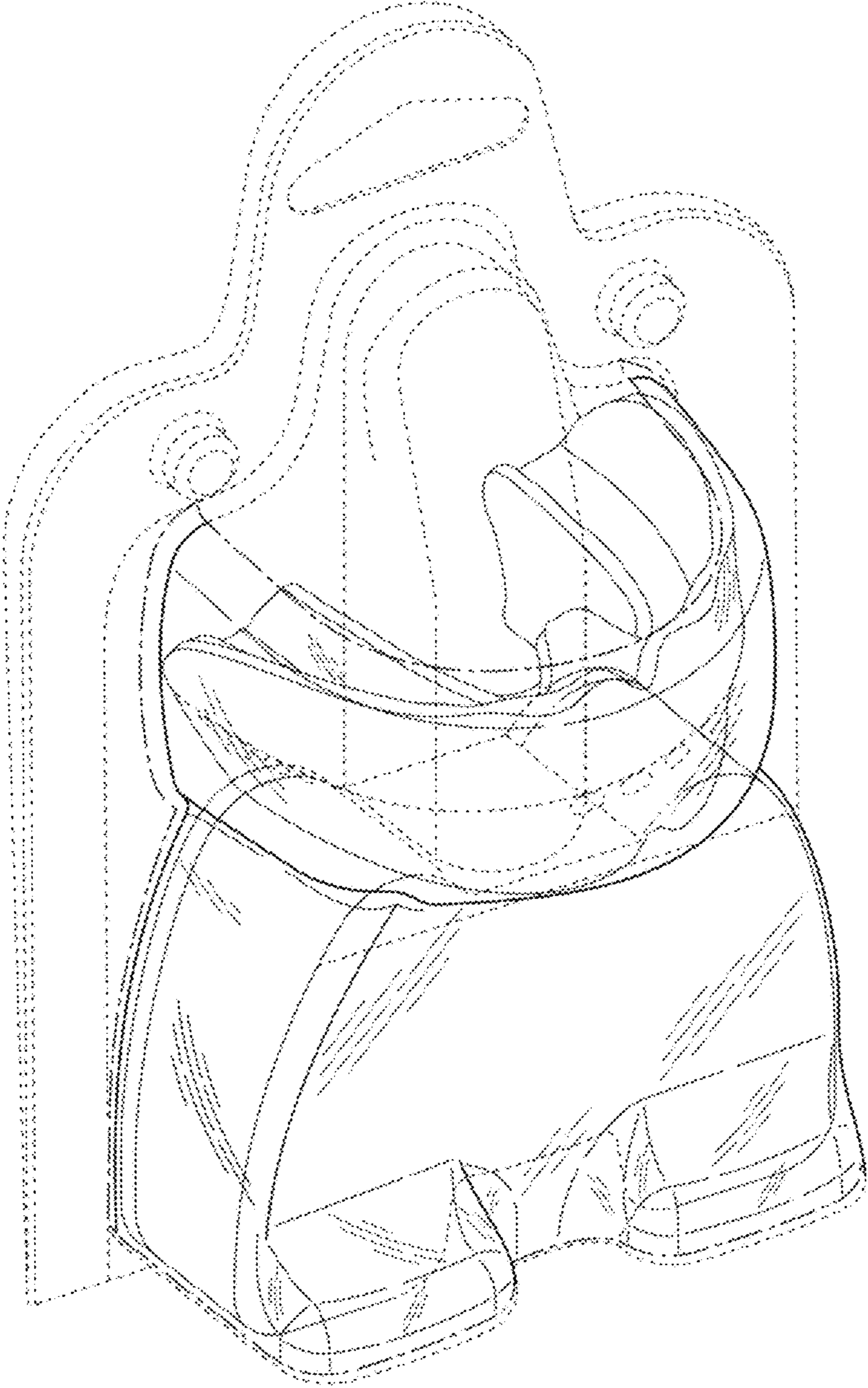


FIG. 1

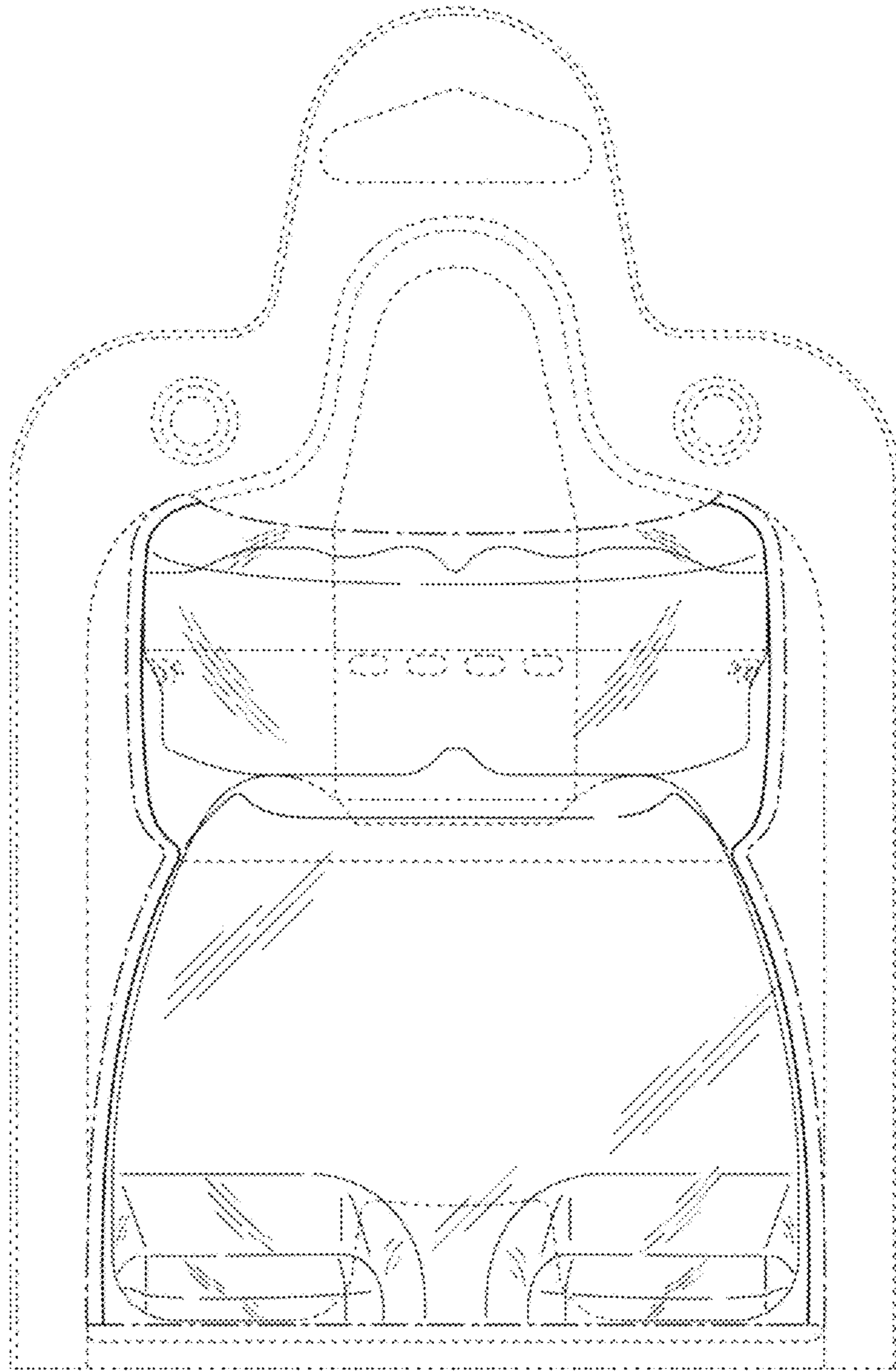


FIG. 2

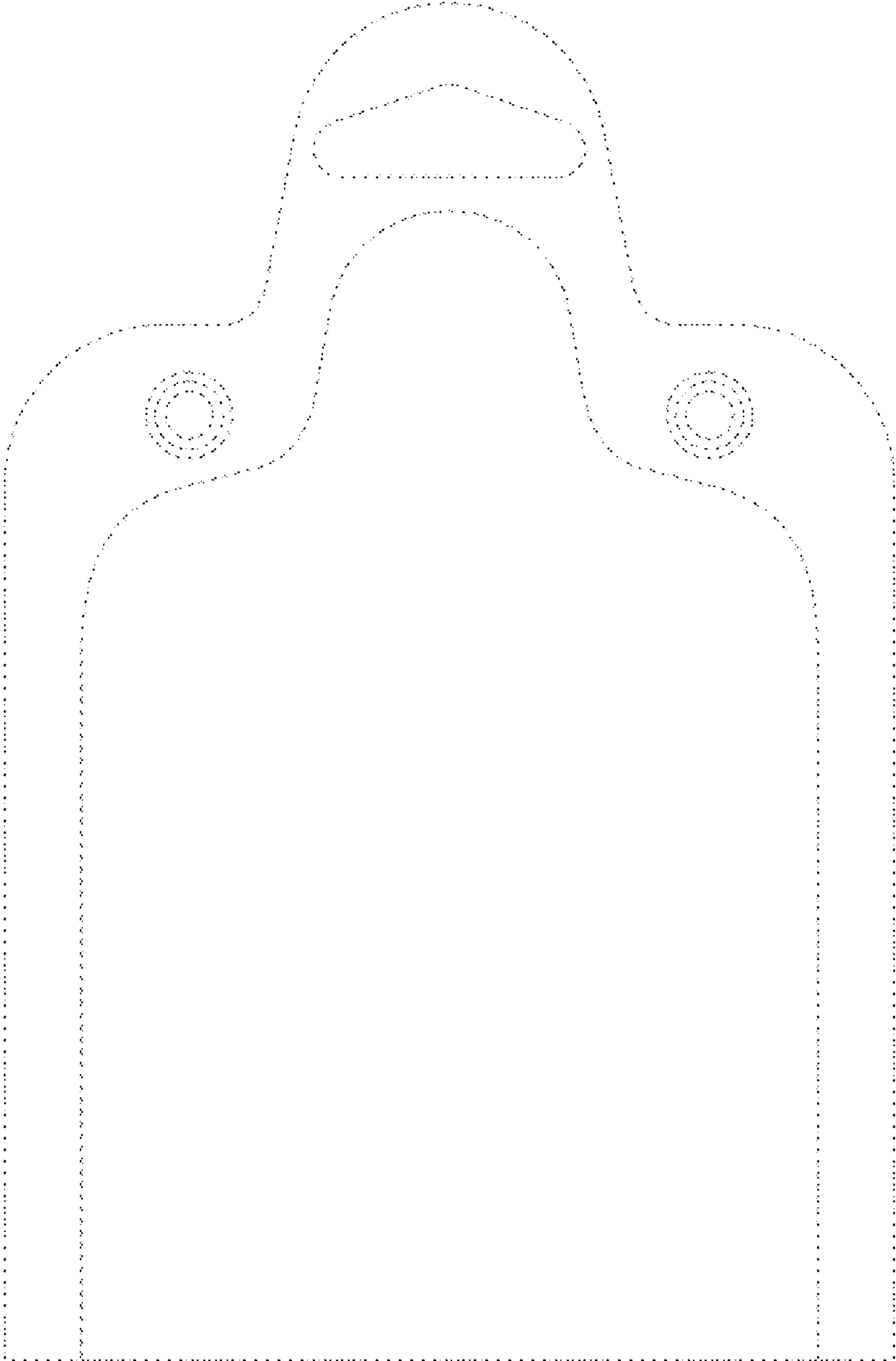


FIG. 3

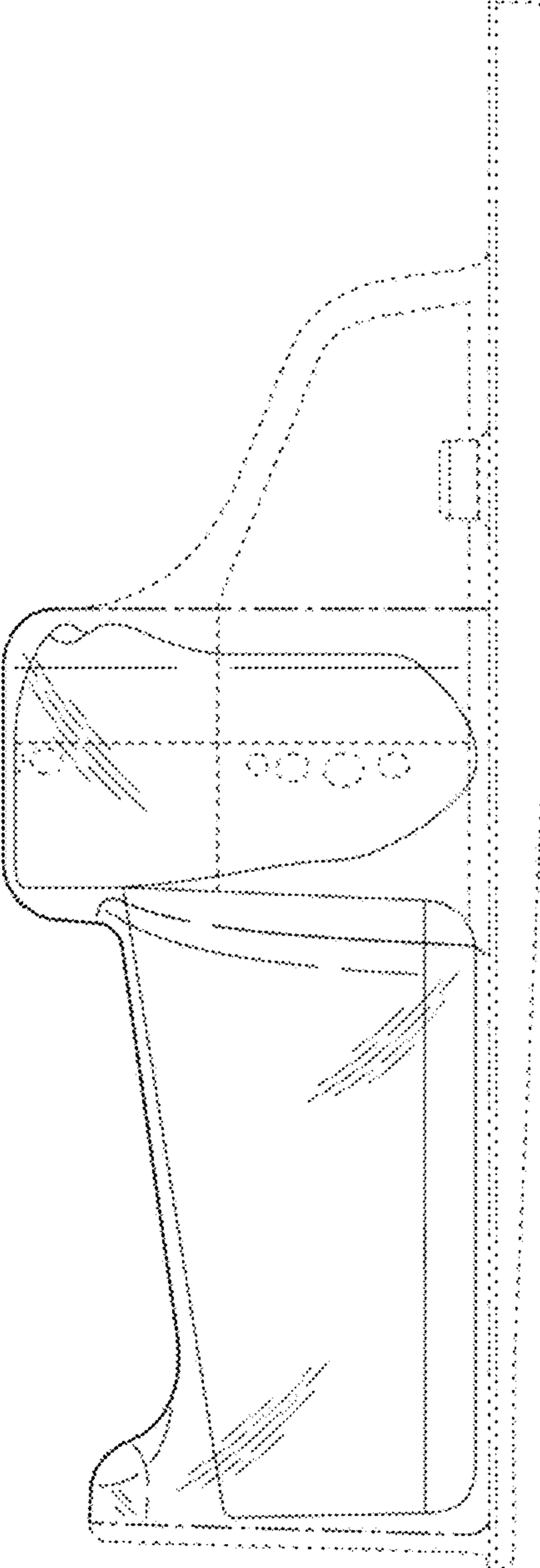


FIG. 4

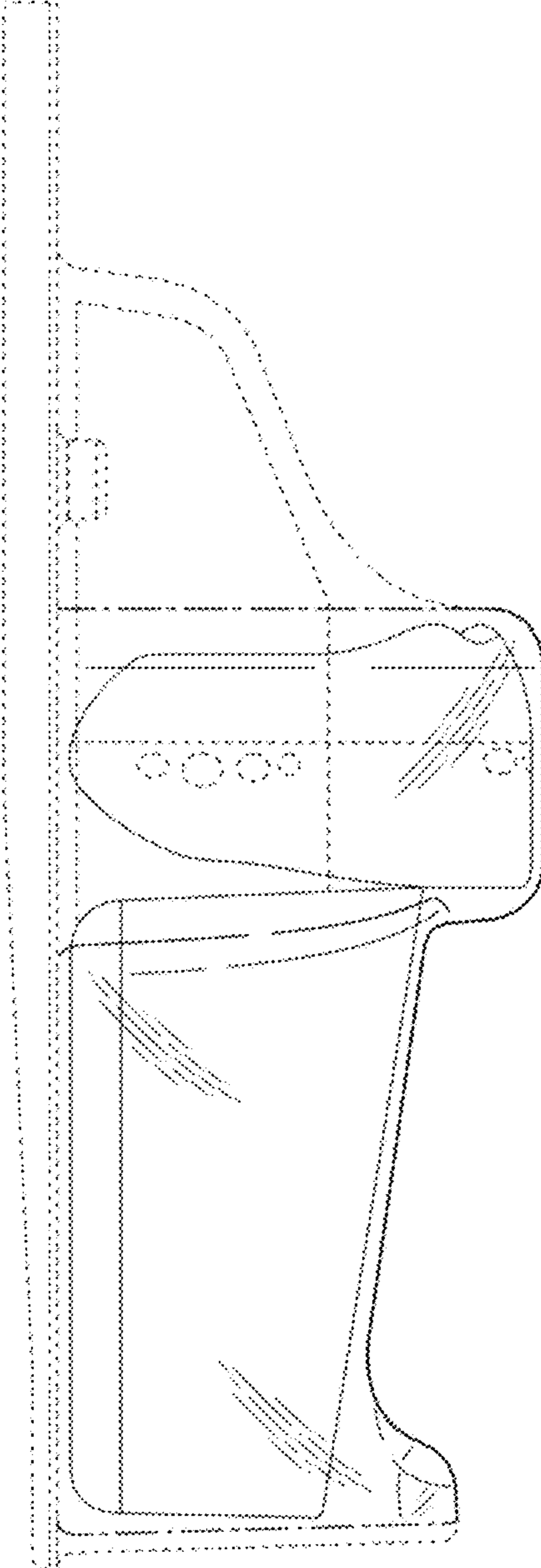


FIG. 5

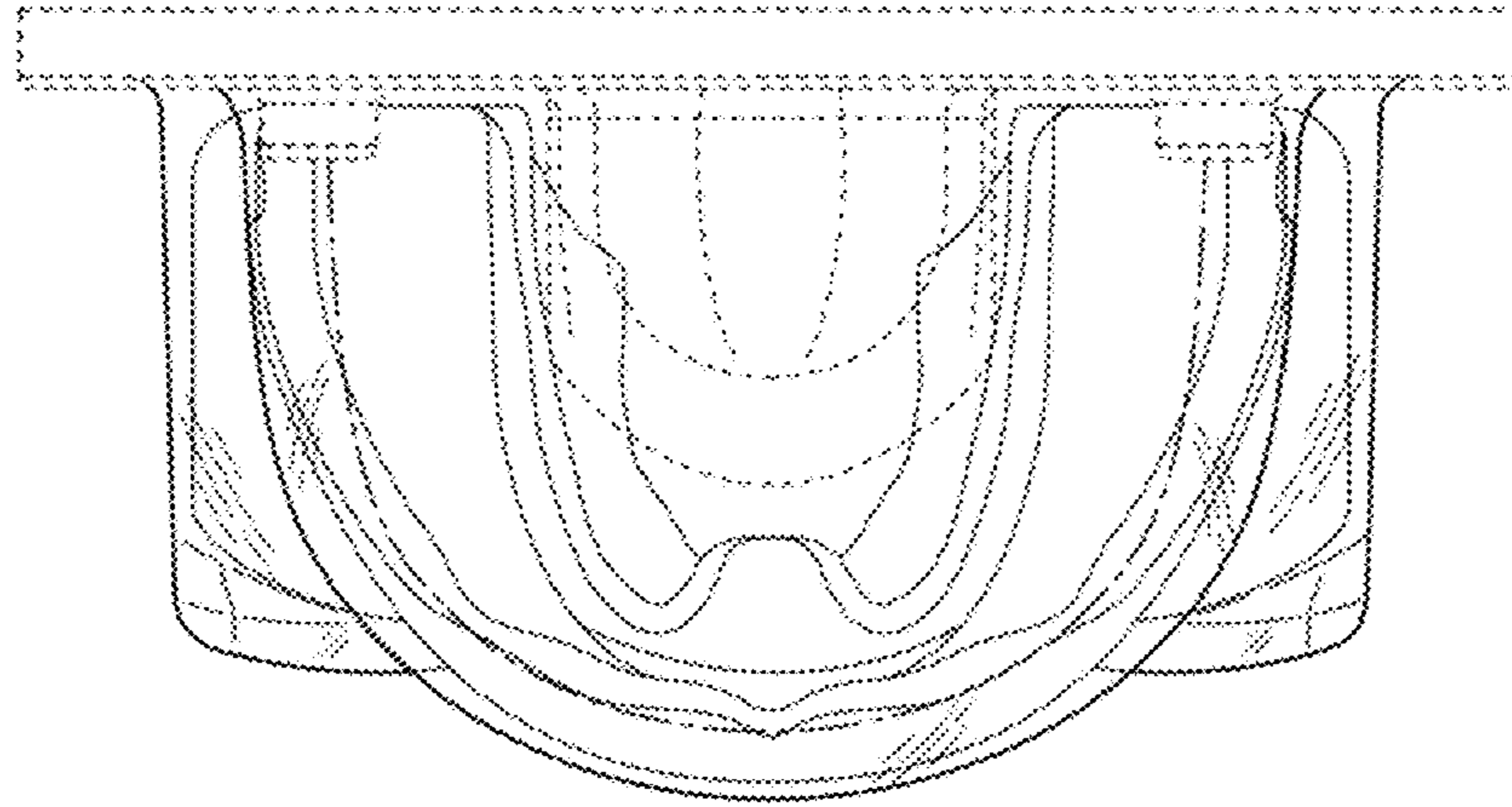


FIG. 6

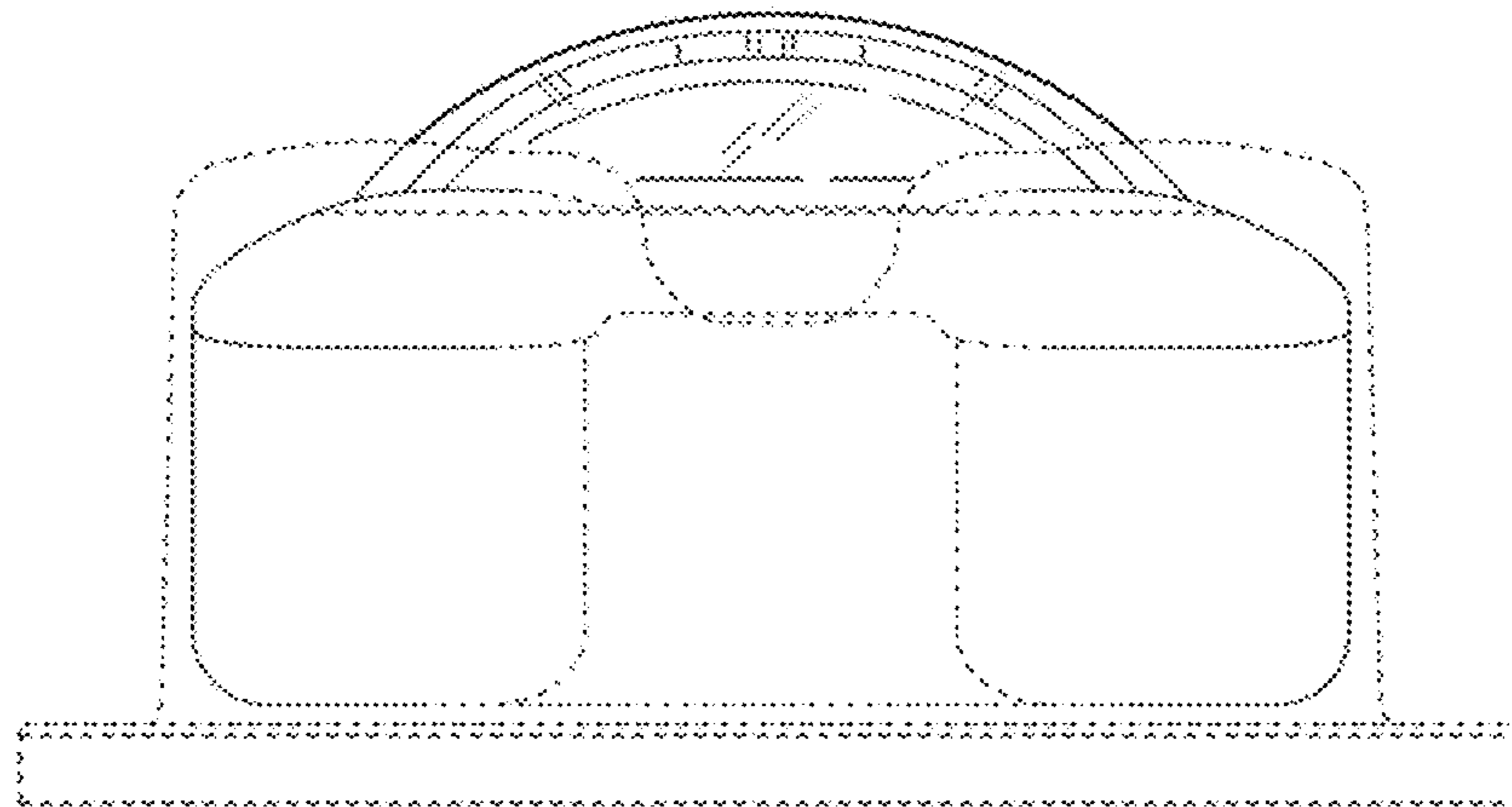


FIG. 7