



US00D840799S

(12) **United States Design Patent** (10) **Patent No.:** **US D840,799 S**  
**Haftarski et al.** (45) **Date of Patent:** **\*\* Feb. 19, 2019**

(54) **OMEGA CLIP**  
(71) Applicant: **HellermannTyton Corporation**,  
Milwaukee, WI (US)  
(72) Inventors: **Eric J. Haftarski**, Big Bend, WI (US);  
**James S. Teece**, Cedarburg, WI (US)  
(73) Assignee: **HELLERMANN TYTON**  
**CORPORATION**, Milwaukee, WI  
(US)  
(\*\*) Term: **15 Years**

D425,779 S \* 5/2000 Nakamura ..... D8/356  
D516,904 S \* 3/2006 Kendrick ..... D8/395  
D537,334 S \* 2/2007 Lee ..... D8/396  
D636,661 S \* 4/2011 Marmas ..... D8/395  
D665,660 S \* 8/2012 Heindl ..... D8/382  
D702,113 S \* 4/2014 Weger ..... D8/396  
D736,060 S \* 8/2015 Shimizu ..... D8/349  
D763,066 S \* 8/2016 Sugimoto ..... D8/382  
D797,937 S \* 9/2017 Dacosta ..... D24/171  
D798,136 S \* 9/2017 Pittman ..... D8/382  
D810,555 S \* 2/2018 O'Brien ..... D8/394  
D811,869 S \* 3/2018 Gallion ..... D8/394  
D815,939 S \* 4/2018 Geiger ..... D8/382  
D818,811 S \* 5/2018 Hattori ..... D8/397  
D823,672 S \* 7/2018 Mogensen ..... D8/356

\* cited by examiner

(21) Appl. No.: **29/650,372**  
(22) Filed: **Jun. 6, 2018**

*Primary Examiner* — Cynthia R Underwood  
(74) *Attorney, Agent, or Firm* — Robert J. Myers

**Related U.S. Application Data**

(62) Division of application No. 29/582,271, filed on Oct.  
26, 2016, now Pat. No. Des. 822,476.  
(51) **LOC (11) Cl.** ..... **08-08**  
(52) **U.S. Cl.**  
USPC ..... **D8/398**  
(58) **Field of Classification Search**  
USPC ..... D8/399, 382, 349, 397, 394, 398  
CPC ..... F16B 39/24; F16B 31/028; F16B 39/28;  
F16B 41/002; E04G 25/065; F01L 9/04;  
B25B 13/50  
See application file for complete search history.

(57) **CLAIM**

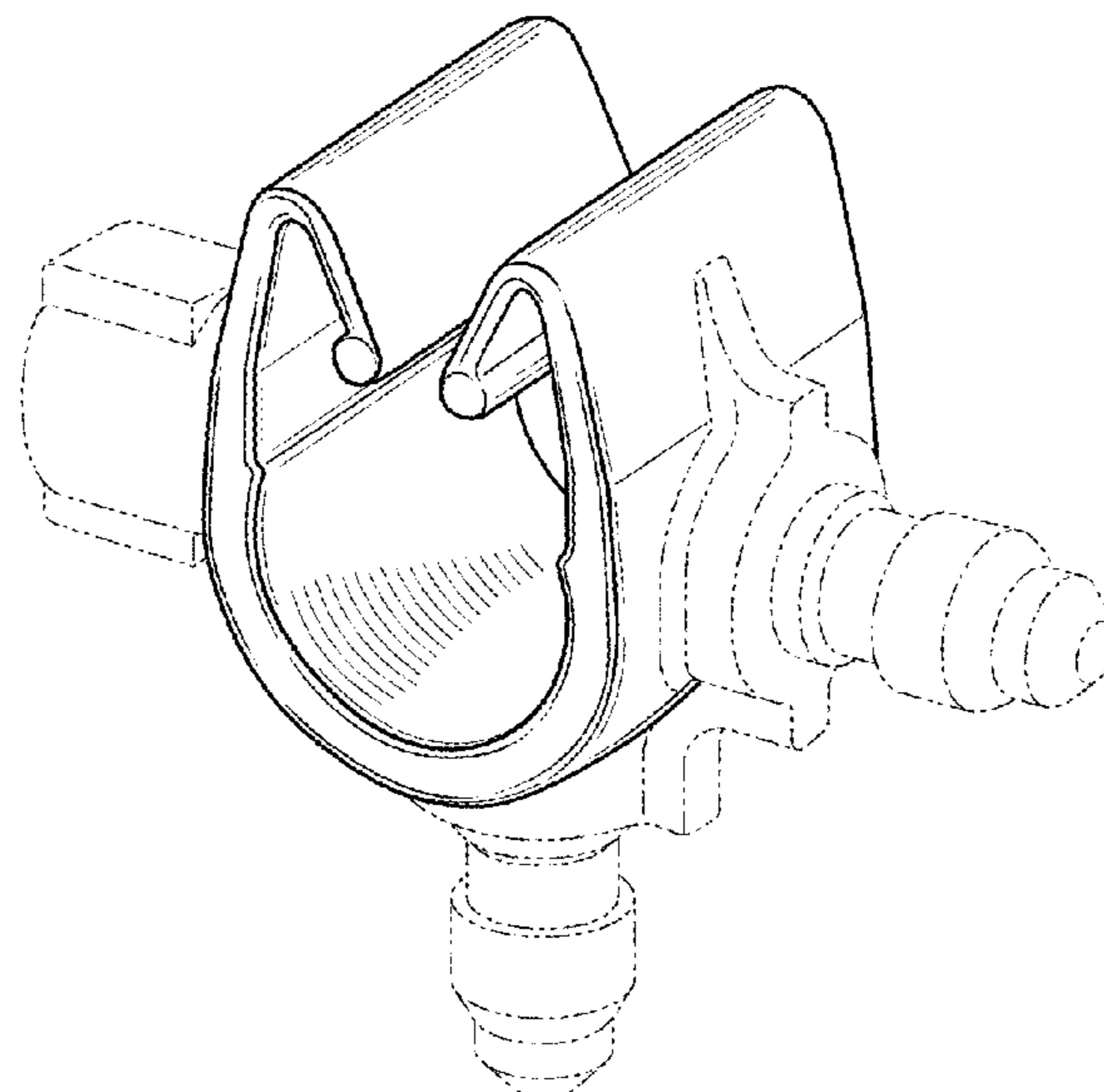
An ornamental design for an omega clip, as shown and described.

**DESCRIPTION**

FIG. 1 is a perspective view of an embodiment;  
FIG. 2 is a left side elevation view;  
FIG. 3 is a right side elevation view;  
FIG. 4 is a front elevation view;  
FIG. 5 is a back elevation view;  
FIG. 6 is a top plan view; and,  
FIG. 7 is a bottom plan view.  
The broken lines are for the purpose of illustrating the environment of the article only and form no part of the claimed design. The shading illustrated in the drawings is provided merely to highlight the contour of the design and is not intended to be illustrative of any texture or gloss.

(56) **References Cited**  
U.S. PATENT DOCUMENTS  
3,516,631 A \* 6/1970 Santucci ..... F16L 3/12  
24/16 PB  
4,609,171 A \* 9/1986 Matsui ..... F16L 3/12  
24/16 PB

**1 Claim, 2 Drawing Sheets**



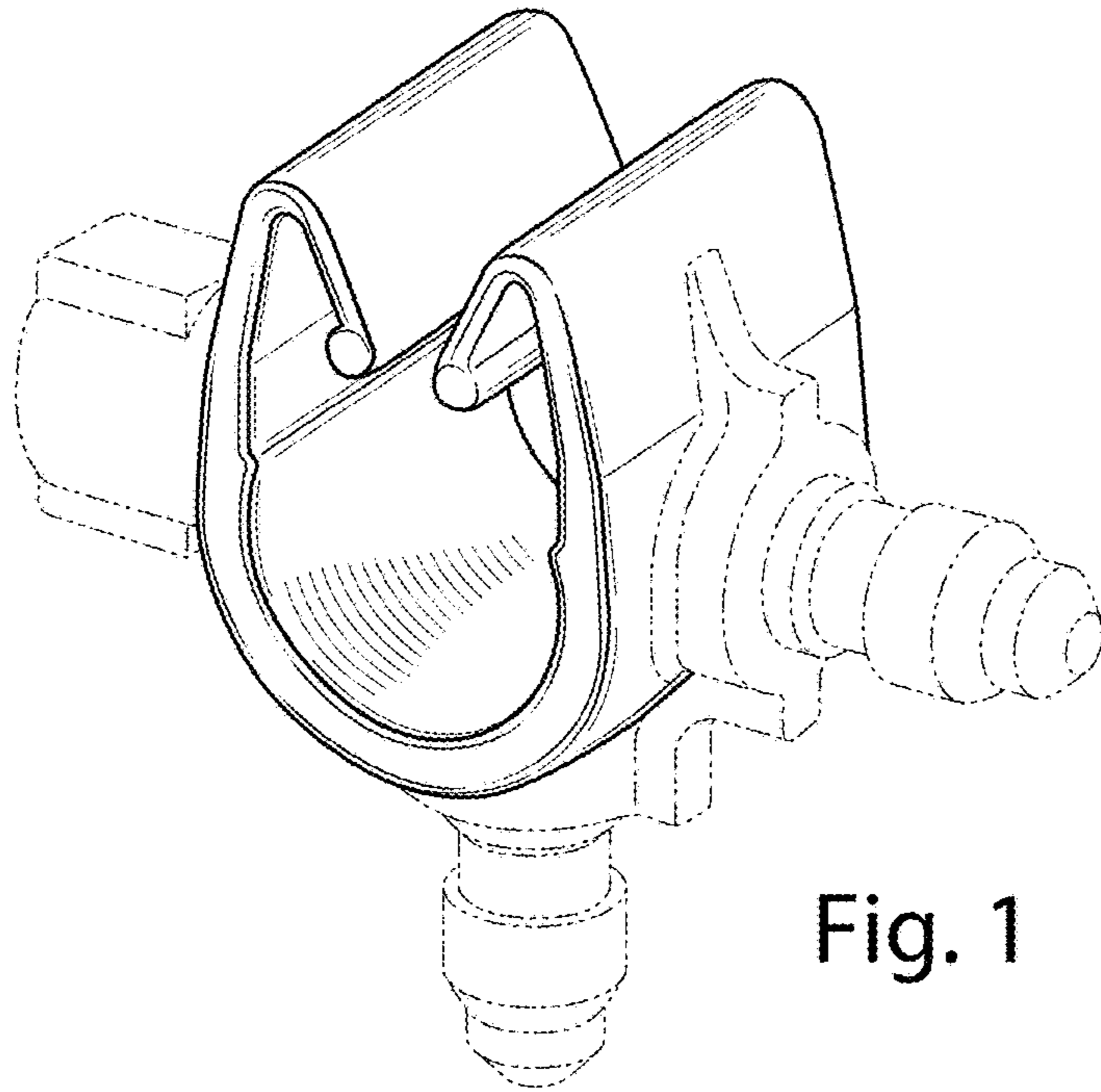


Fig. 1

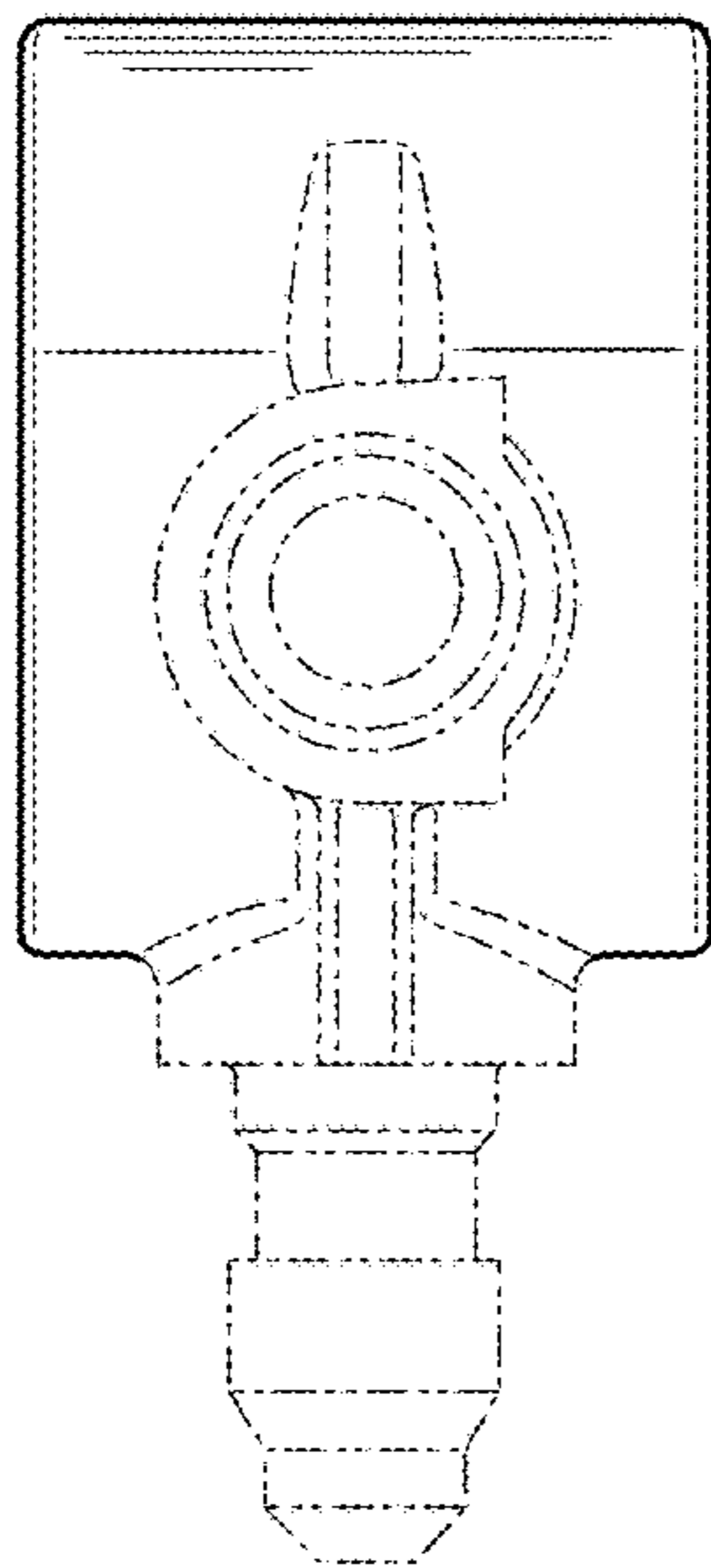


Fig. 2

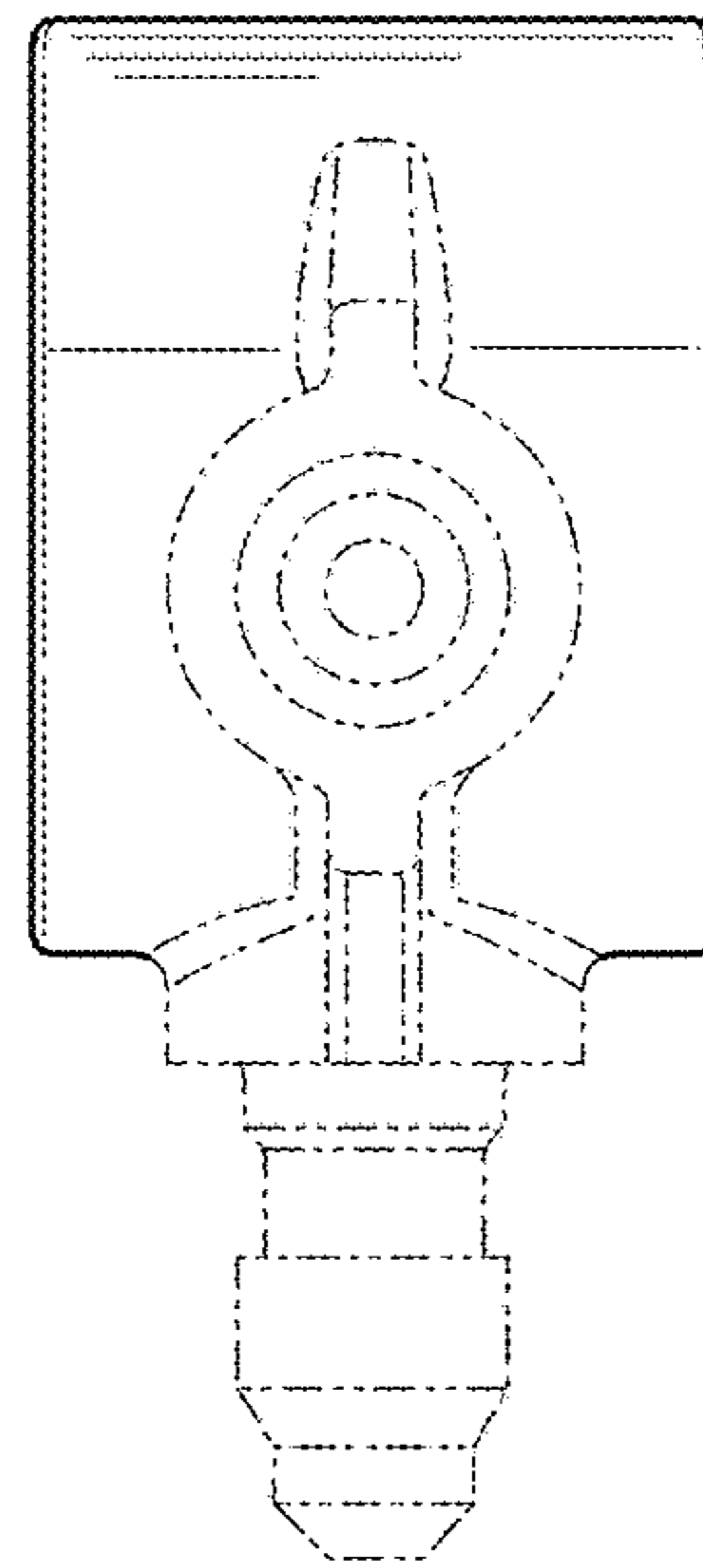


Fig. 3

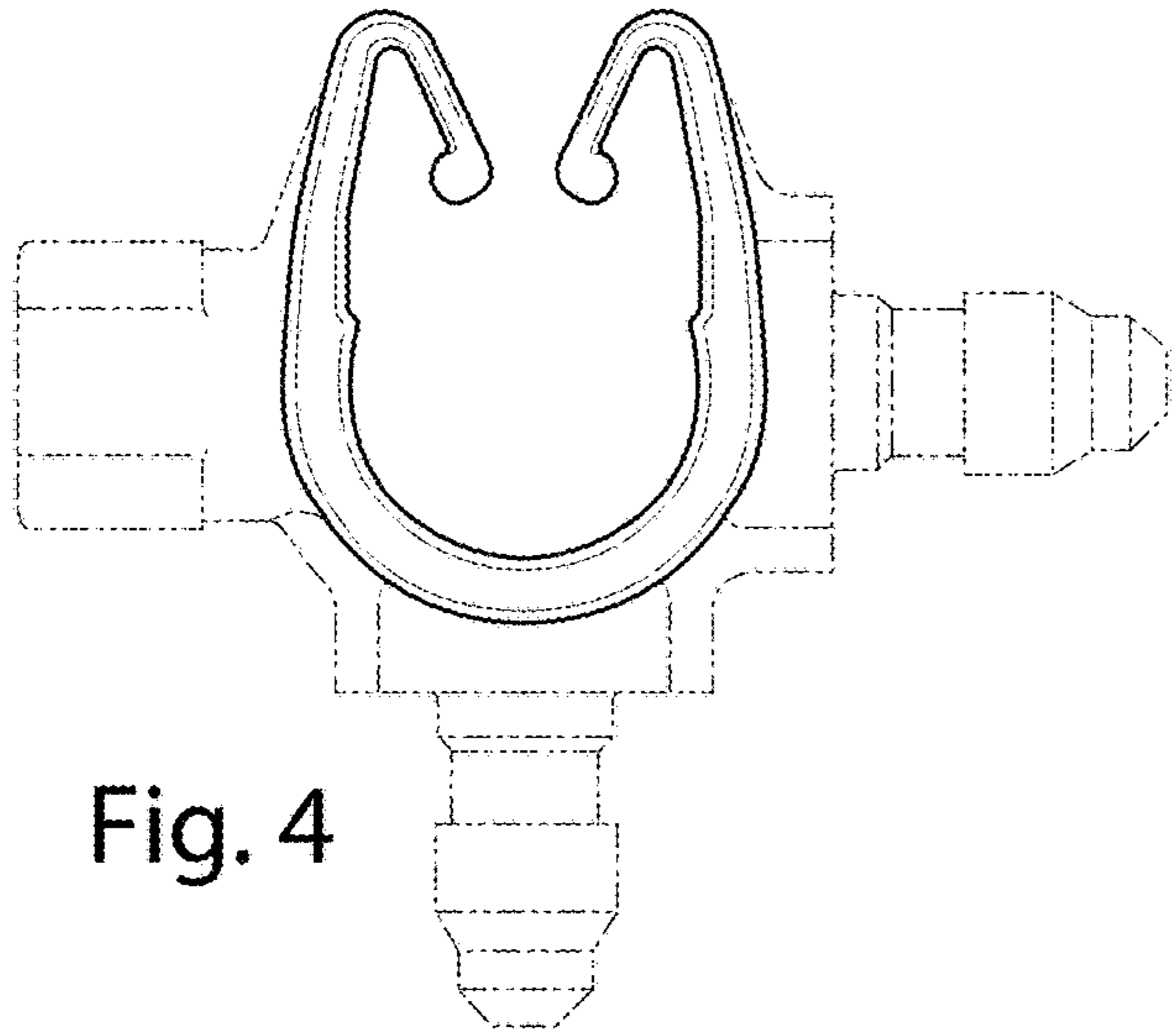


Fig. 4

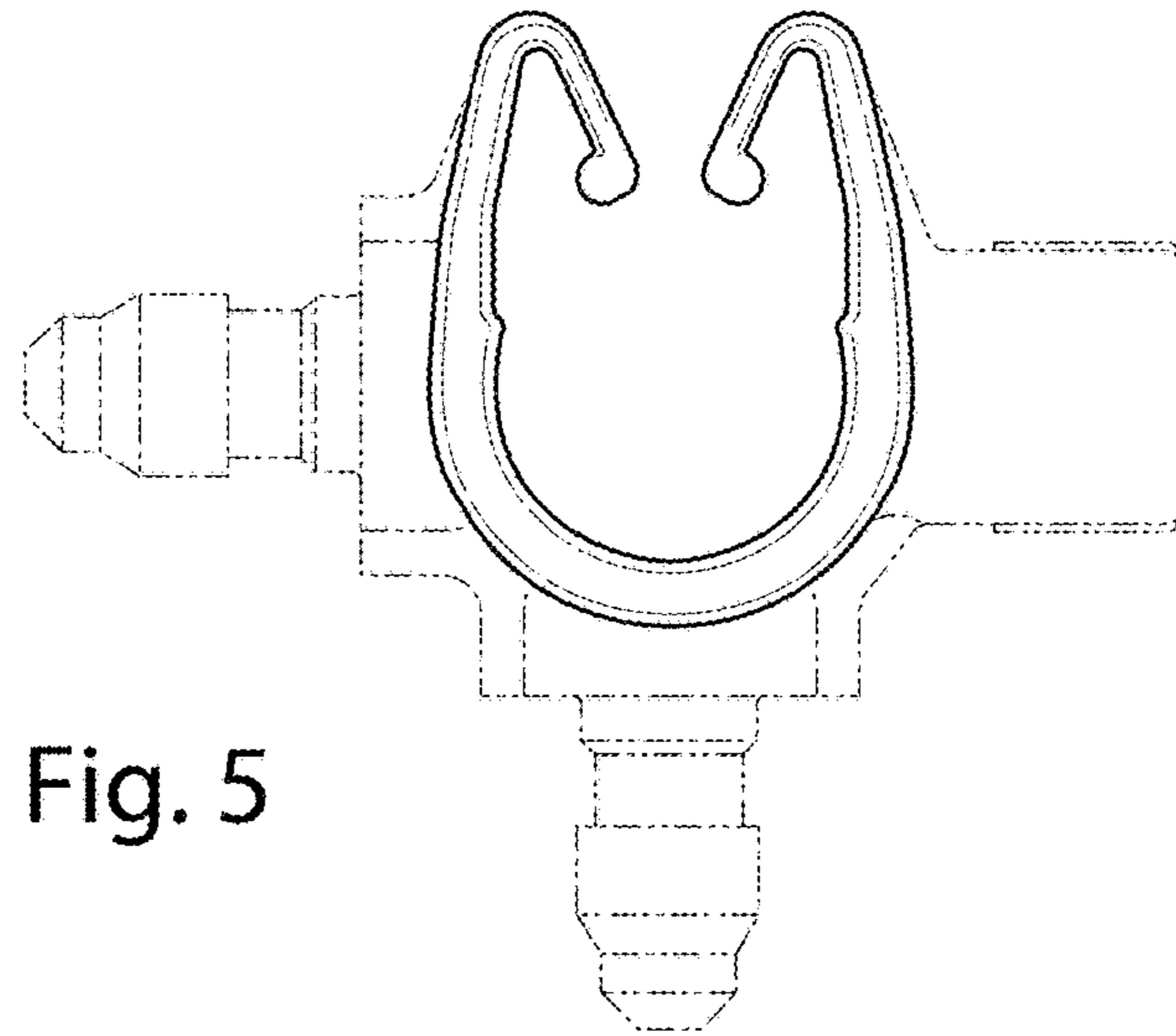


Fig. 5

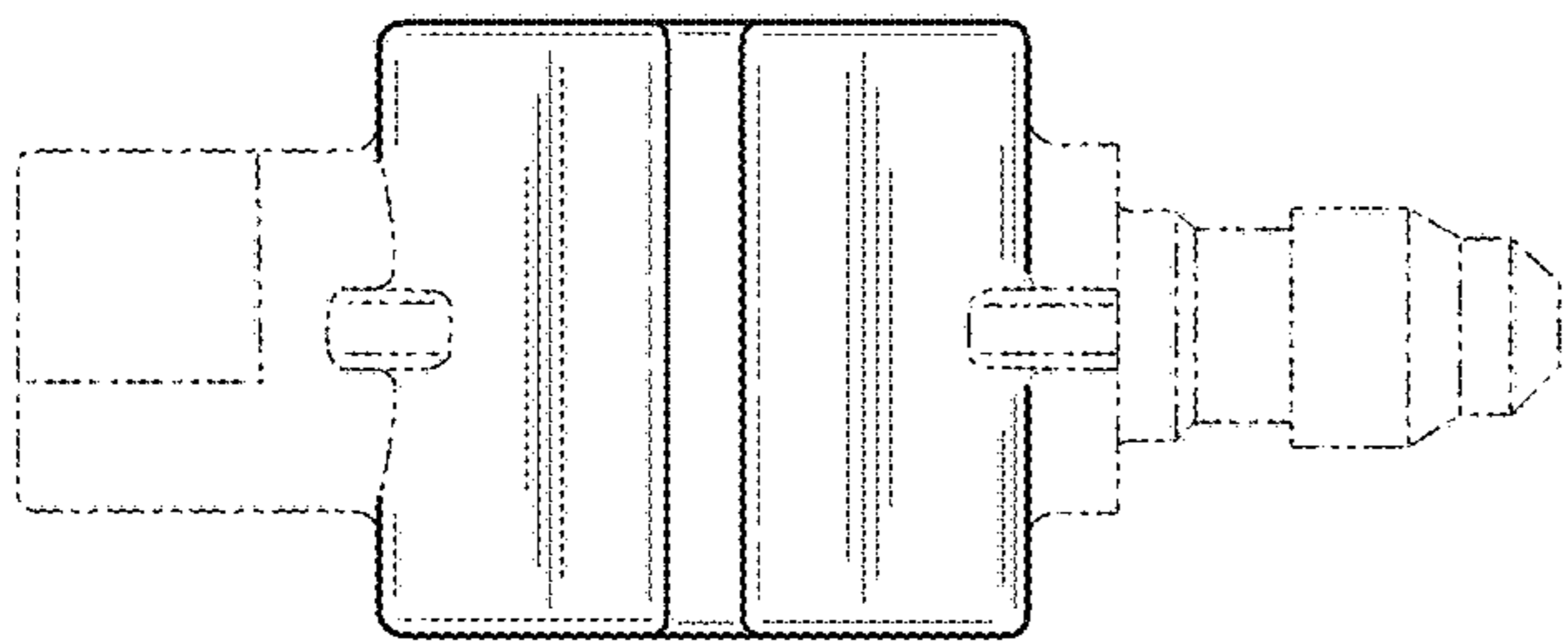


Fig. 6

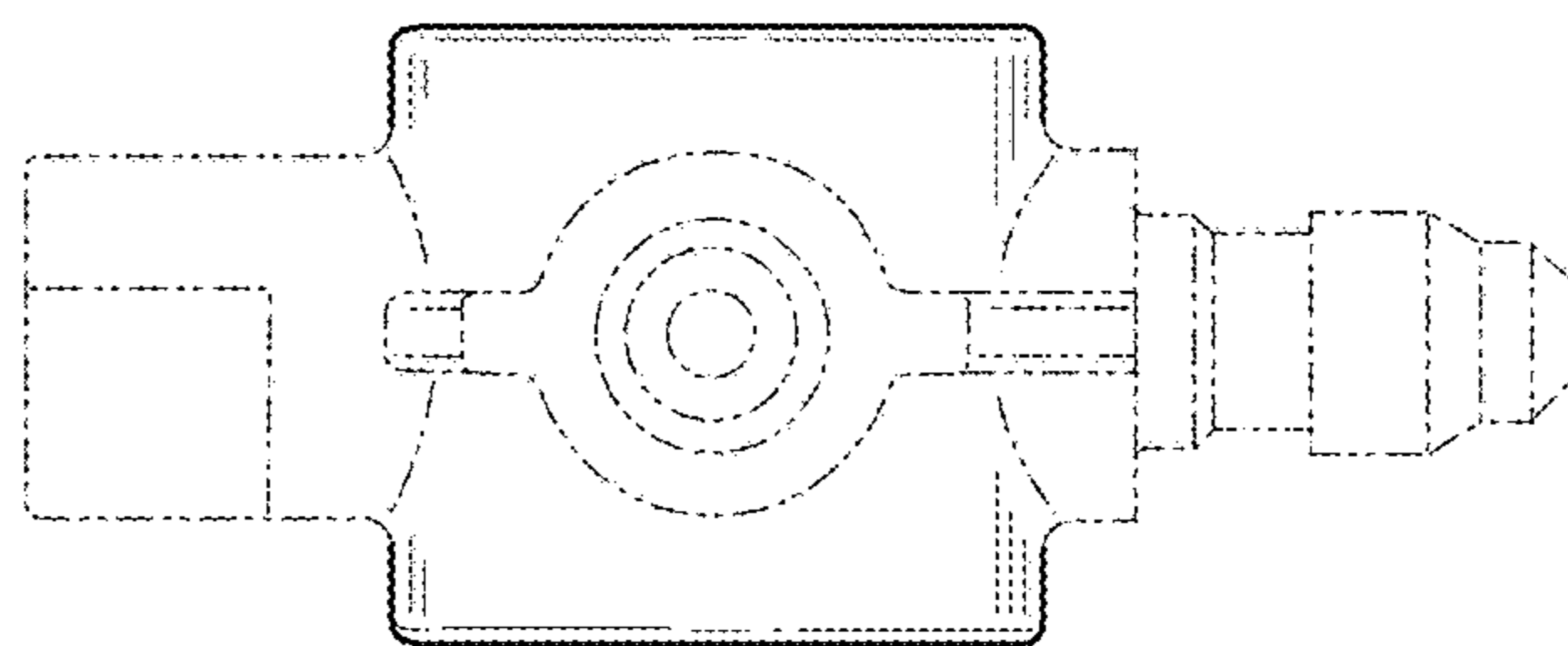


Fig. 7