

US00D840798S

(12) **United States Design Patent** (10) **Patent No.:** **US D840,798 S**
Bada (45) **Date of Patent:** **** Feb. 19, 2019**

(54) **SCREW AND NUT** 3,140,636 A 7/1964 Grimm
3,543,826 A * 12/1970 Forgaard F16B 39/284
411/284
(71) Applicant: **BIMECC ENGINEERING S.p.A.**,
Veggiano (Padua) (IT) D223,231 S * 4/1972 Miller D8/385
3,693,495 A * 9/1972 Wagner F16B 23/003
411/377
(72) Inventor: **Ferdinando Bada**, Mestrino (IT) 5,324,149 A * 6/1994 Bainbridge F16B 37/14
411/377
(73) Assignee: **BIMECC ENGINEERING S.p.A.**,
Veggiano (Padua) (IT) 5,810,532 A * 9/1998 Huang F16B 37/14
411/377
(**) Term: **15 Years** 6,354,175 B1 3/2002 Dobson et al.
D484,785 S * 1/2004 Plumer D8/397
D488,715 S * 4/2004 Plumer D8/397
(21) Appl. No.: **29/624,311** (Continued)

(22) Filed: **Oct. 31, 2017**

Related U.S. Application Data

(62) Division of application No. 29/579,399, filed on Sep. 29, 2016, now Pat. No. Des. 806,528.

(30) **Foreign Application Priority Data**

Jun. 16, 2016 (IT) 102016000062233

(51) **LOC (11) Cl.** **08-08**

(52) **U.S. Cl.**

USPC **D8/397**

CPC **F16B 23/003** (2013.01); **B25B 13/065**

(2013.01); **B25B 13/485** (2013.01); **B60B 3/16**

(2013.01); **B60B 27/065** (2013.01); **B60B**

29/003 (2013.01); **F16B 23/0061** (2013.01);

B60B 2340/50 (2013.01); **B60B 2900/212**

(2013.01); **B60B 2900/541** (2013.01)

(58) **Field of Classification Search**

USPC D8/399, 382, 397, 331, 85, 86, 394, 349;

411/140, 508, 418; 72/267; 292/327;

248/318; 29/434; D12/162; 24/595.1

CPC F16B 43/00

See application file for complete search history.

(56) **References Cited**

U.S. PATENT DOCUMENTS

2,440,944 A * 5/1948 Green F16B 39/286

411/282

D157,484 S * 2/1950 Gade 411/437

FOREIGN PATENT DOCUMENTS

EP 0 287 702 A1 10/1988

WO 99/62727 A2 12/1999

WO 02/090056 A2 11/2002

OTHER PUBLICATIONS

Italian Search Report issued in Application No. UA20164439, dated Feb. 8, 2017.

Primary Examiner — Cynthia R Underwood

(74) *Attorney, Agent, or Firm* — Young & Thompson

(57) **CLAIM**

The ornamental design for a screw and nut, as shown and described.

DESCRIPTION

FIG. 1 discloses a top perspective view of a screw and nut of my new design;

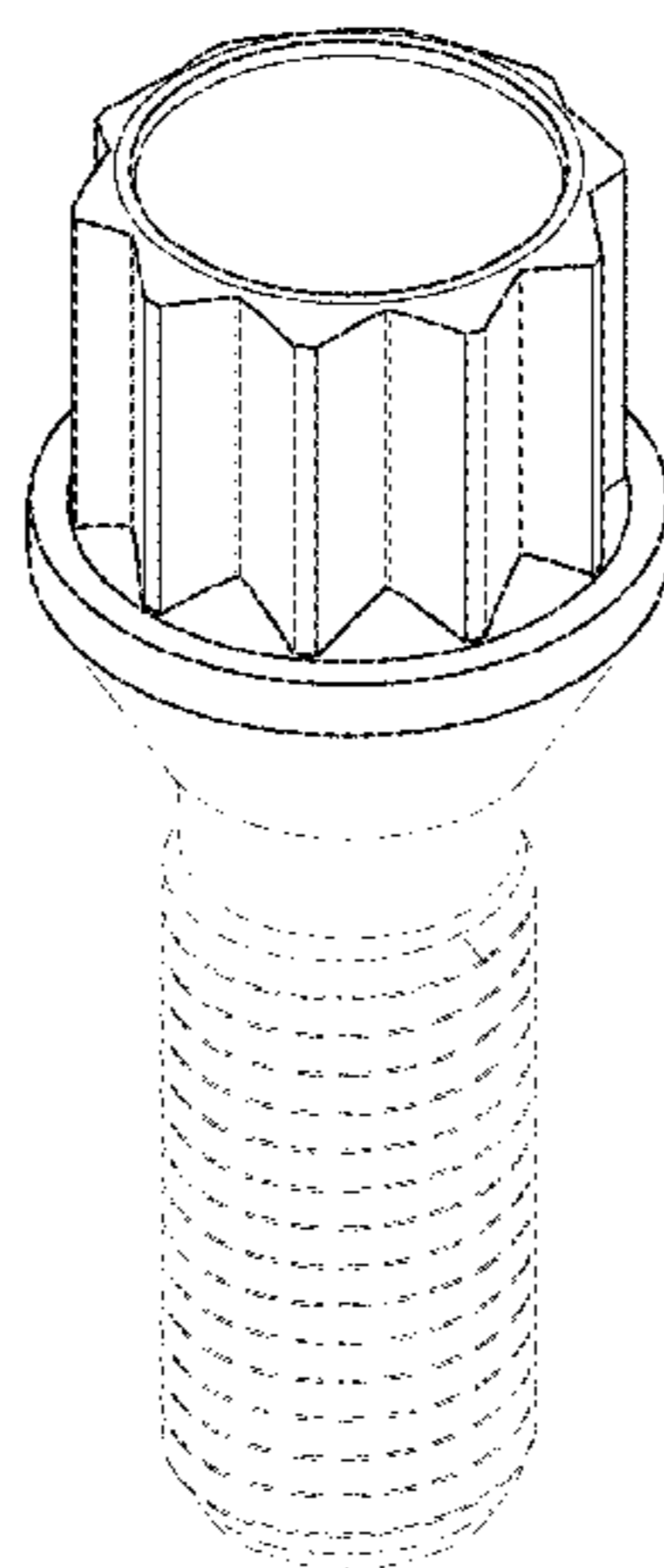
FIG. 2 discloses an elevational view thereof;

FIG. 3 discloses a top plan view thereof; and,

FIG. 4 discloses a bottom plan view thereof.

The portions of the design shown in broken lines show unclaimed subject matter.

1 Claim, 1 Drawing Sheet



(56)

References Cited

U.S. PATENT DOCUMENTS

D513,380	S *	1/2006	Bruni	D8/397
D627,039	S *	11/2010	Yu	D23/260
D648,006	S *	11/2011	Morishita	D23/259
D649,031	S *	11/2011	Rand	D8/397
D669,968	S *	10/2012	Morishita	D23/259
D713,715	S *	9/2014	Kury	D8/397
D721,423	S *	1/2015	Jacques	D23/260
D738,714	S *	9/2015	Kuhmichel	D8/397
D748,227	S *	1/2016	von Lepel	D23/260
D749,197	S *	2/2016	von Lepel	D23/260
D749,198	S *	2/2016	von Lepel	D23/260
D749,199	S *	2/2016	von Lepel	D23/260
9,297,407	B2 *	3/2016	Pudvah	F16B 41/002
D766,069	S *	9/2016	Miller	D8/349
D766,075	S *	9/2016	Milbank	D8/394
9,593,707	B2 *	3/2017	Weis	F16B 37/14
9,624,962	B2 *	4/2017	Unsel	F16B 37/00
2003/0068212	A1 *	4/2003	Wilson	F16B 37/14
					411/429
2011/0123293	A1 *	5/2011	Matlock	F16B 37/14
					411/429
2015/0184687	A1 *	7/2015	Weis	F16B 37/14
					411/373

* cited by examiner

Fig. 1

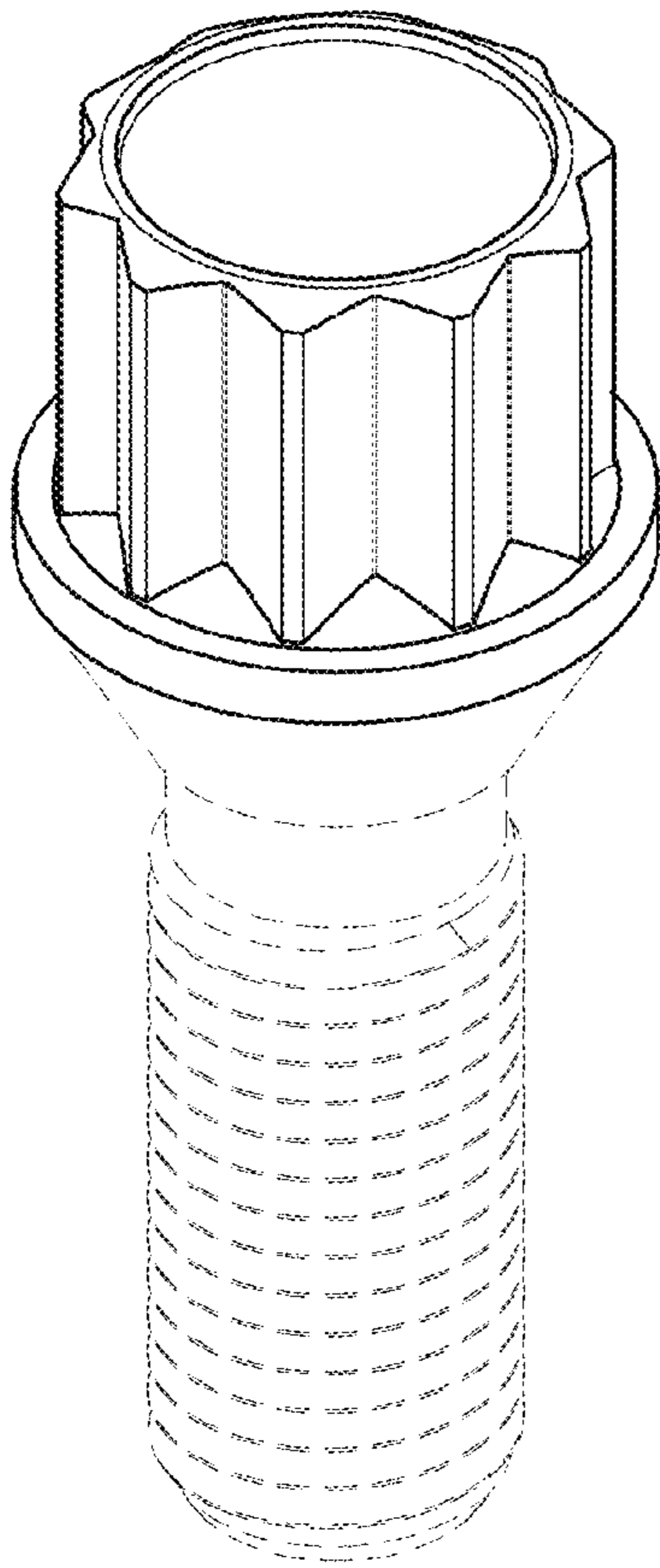


Fig. 4

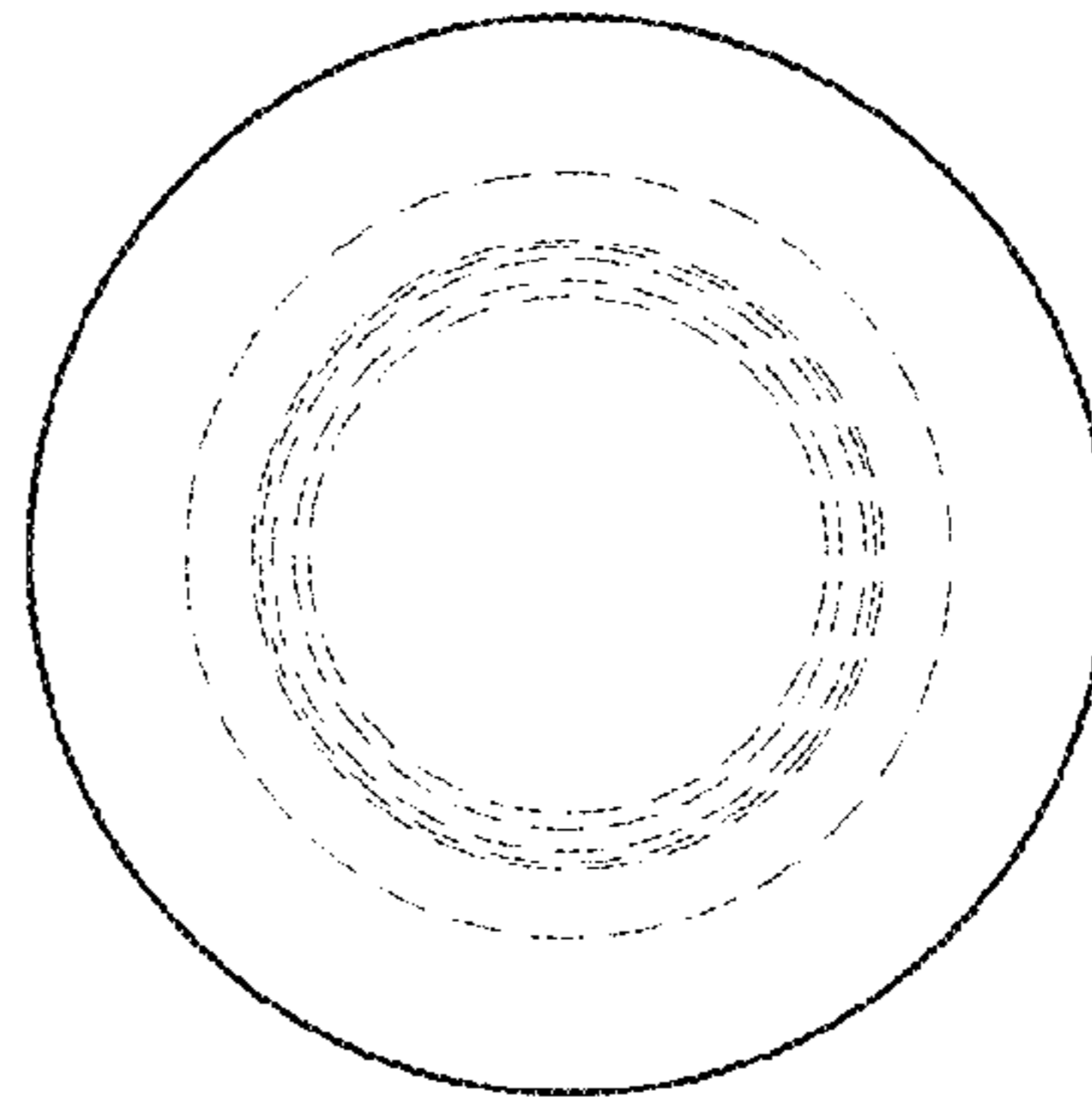


Fig. 2

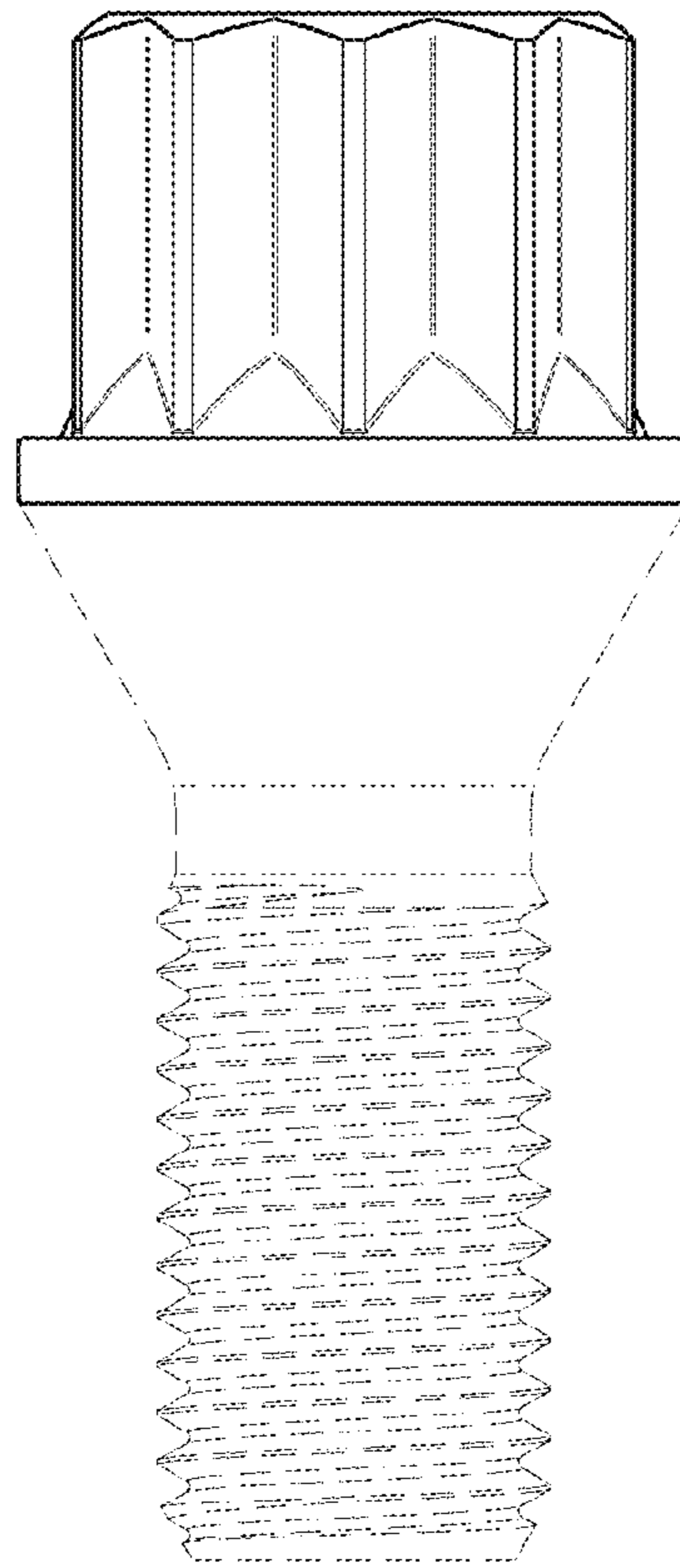


Fig. 3

