



US00D840797S

(12) **United States Design Patent** (10) **Patent No.:** **US D840,797 S**
Bentley (45) **Date of Patent:** **** Feb. 19, 2019**

(54) **QUICK CONNECT FASTENER**
(71) Applicant: **Ephraim Blu Bentley**, Chandler, AZ (US)
(72) Inventor: **Ephraim Blu Bentley**, Chandler, AZ (US)
(**) Term: **15 Years**
(21) Appl. No.: **29/618,309**
(22) Filed: **Sep. 20, 2017**
(51) **LOC (11) Cl.** **08-08**
(52) **U.S. Cl.**
USPC **D8/397**
(58) **Field of Classification Search**
USPC D8/399, 382, 397, 331, 85, 86, 394, 349;
411/140, 508, 418; 72/267; 292/327;
248/318; 29/434; D12/162; 24/595.1
CPC F16B 43/00
See application file for complete search history.

(56) **References Cited**

U.S. PATENT DOCUMENTS

2,440,944 A * 5/1948 Green F16B 39/286
411/282
D157,484 S * 2/1950 Gade 411/437
2,835,720 A * 5/1958 Buskirk H01M 2/1205
429/89
3,543,826 A * 12/1970 Forgaard F16B 39/284
411/284
D223,231 S * 4/1972 Miller D8/385
3,693,495 A * 9/1972 Wagner F16B 23/003
411/377
4,337,875 A * 7/1982 Lyons B65D 51/1611
220/368
5,324,149 A * 6/1994 Bainbridge F16B 37/14
411/377
5,810,532 A * 9/1998 Huang F16B 37/14
411/377
D422,255 S * 4/2000 Gonzales D12/197

6,062,263 A * 5/2000 Donovan F16B 25/0021
138/89
D484,785 S * 1/2004 Plumer D8/397
D488,715 S * 4/2004 Plumer D8/397
D513,380 S * 1/2006 Bruni D8/397

(Continued)

Primary Examiner — Cynthia R Underwood
(74) *Attorney, Agent, or Firm* — Invention To Patent Services; Alex Hobson

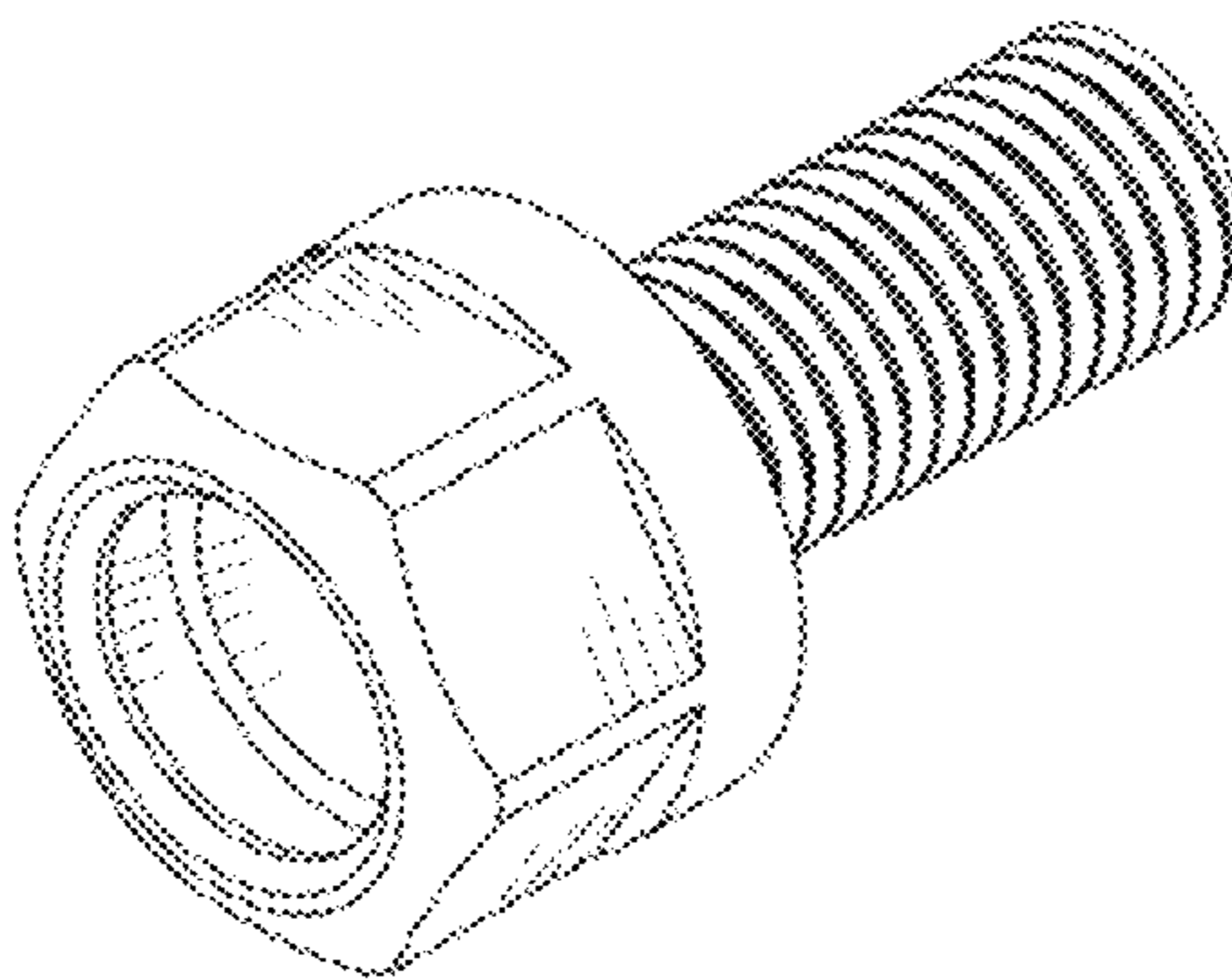
(57) **CLAIM**

The ornamental design for a quick connect fastener, as shown and described.

DESCRIPTION

FIG. 1 is a perspective view of a quick connect fastener; FIG. 2 is a front view of a quick connect fastener with an insert connector; FIG. 3 is a side view of a quick connect fastener with an insert connector; FIG. 4 is a side cross-sectional view of the quick connect fastener taken along line 4-4 in FIG. 2; FIG. 5 is a perspective view of a quick connect fastener with an insert connector connected to the quick connect fastener; FIG. 6 is a top view of a quick connect fastener; FIG. 7 is a left side view of a quick connect fastener; FIG. 8 is a front view of a quick connect fastener; FIG. 9 is a right side view of a quick connect fastener; FIG. 10 is a bottom view of a quick connect fastener; FIG. 11 is a top view of a second embodiment of the quick connect fastener; FIG. 12 is a left side view thereof; FIG. 13 is a front view thereof; FIG. 14 is a right side view thereof; FIG. 15 is a bottom view thereof; and, FIG. 16 is a perspective view thereof. The insert connector shown in FIGS. 2-5, is shown in dashed lines and forms no part of the claimed design.

1 Claim, 7 Drawing Sheets



(56)

References Cited

U.S. PATENT DOCUMENTS

D627,039	S *	11/2010	Yu	D23/260
D648,006	S *	11/2011	Morishita	D23/259
D649,031	S *	11/2011	Rand	D8/397
D669,968	S *	10/2012	Morishita	D23/259
D713,715	S *	9/2014	Kury	D8/397
D721,423	S *	1/2015	Jacques	D23/260
D738,714	S *	9/2015	Kuhmichel	D8/397
D748,227	S *	1/2016	von Lepel et al.	D23/260
D749,197	S *	2/2016	von Lepel	D23/260
D749,198	S *	2/2016	von Lepel	D23/260
D749,199	S *	2/2016	von Lepel	D23/260
9,297,407	B2 *	3/2016	Pudvah	F16B 41/002
D766,069	S *	9/2016	Miller	D8/349
D766,075	S *	9/2016	Milbank	D8/394
9,593,707	B2 *	3/2017	Weis	F16B 37/14
9,624,962	B2 *	4/2017	Unsel	F16B 37/00
2003/0068212	A1 *	4/2003	Wilson	F16B 37/14
				411/429
2004/0065376	A1 *	4/2004	Kristofferson	F01M 11/0408
				138/89
2008/0095593	A1 *	4/2008	McLean	F16B 5/025
				411/360
2011/0123293	A1 *	5/2011	Matlock	F16B 37/14
				411/429
2015/0184687	A1 *	7/2015	Weis	F16B 37/14
				411/373

* cited by examiner

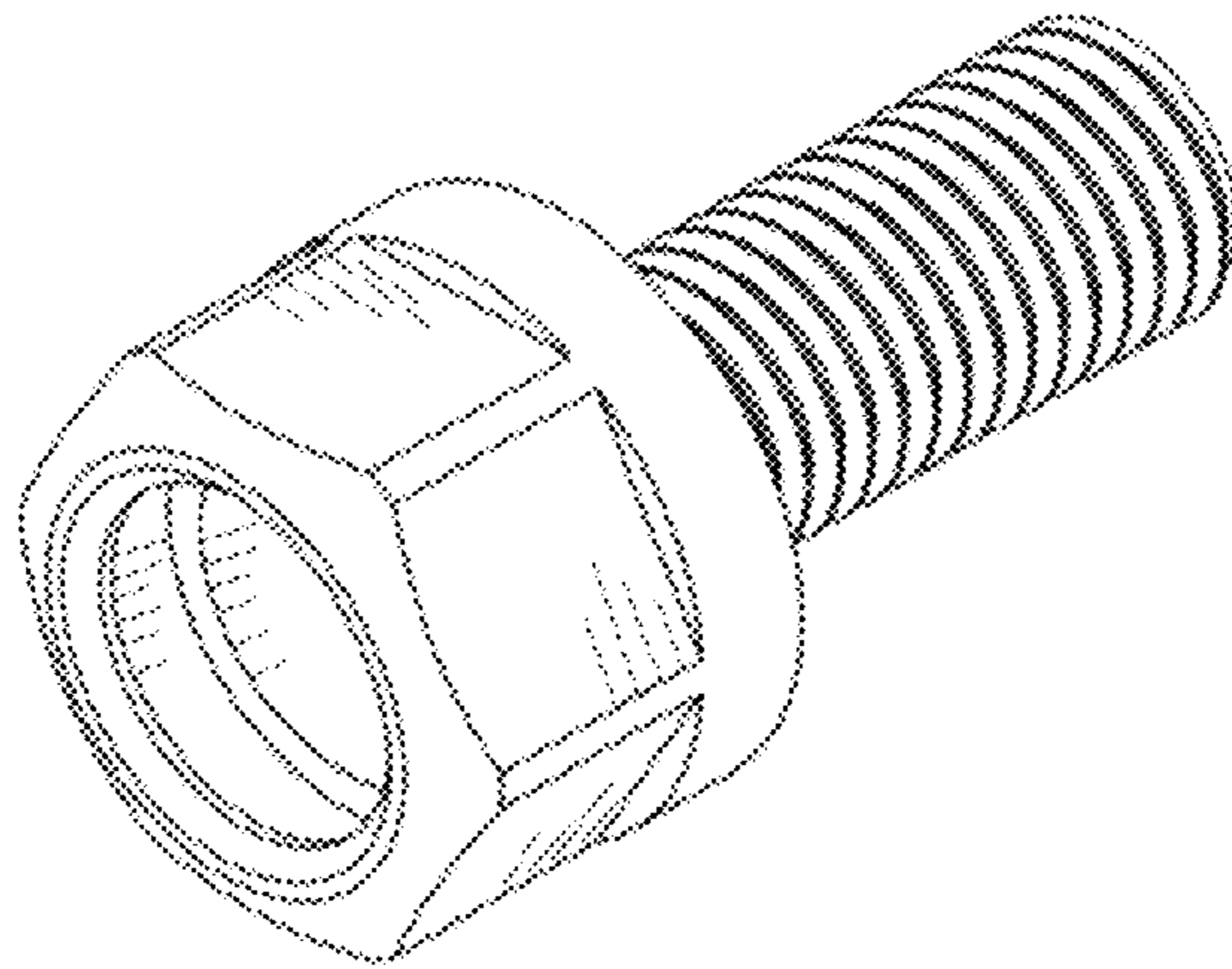


FIG. 1

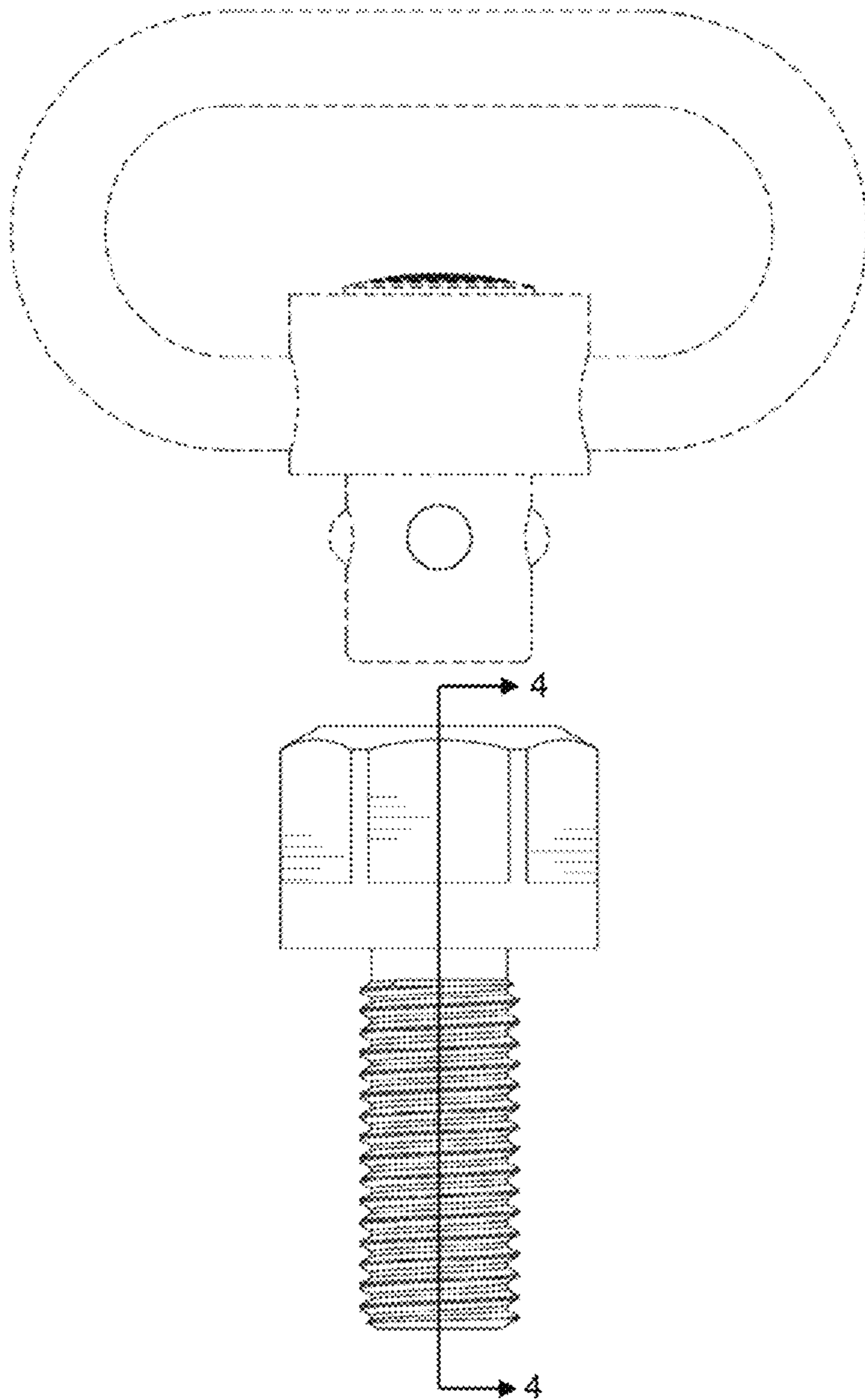


FIG. 2

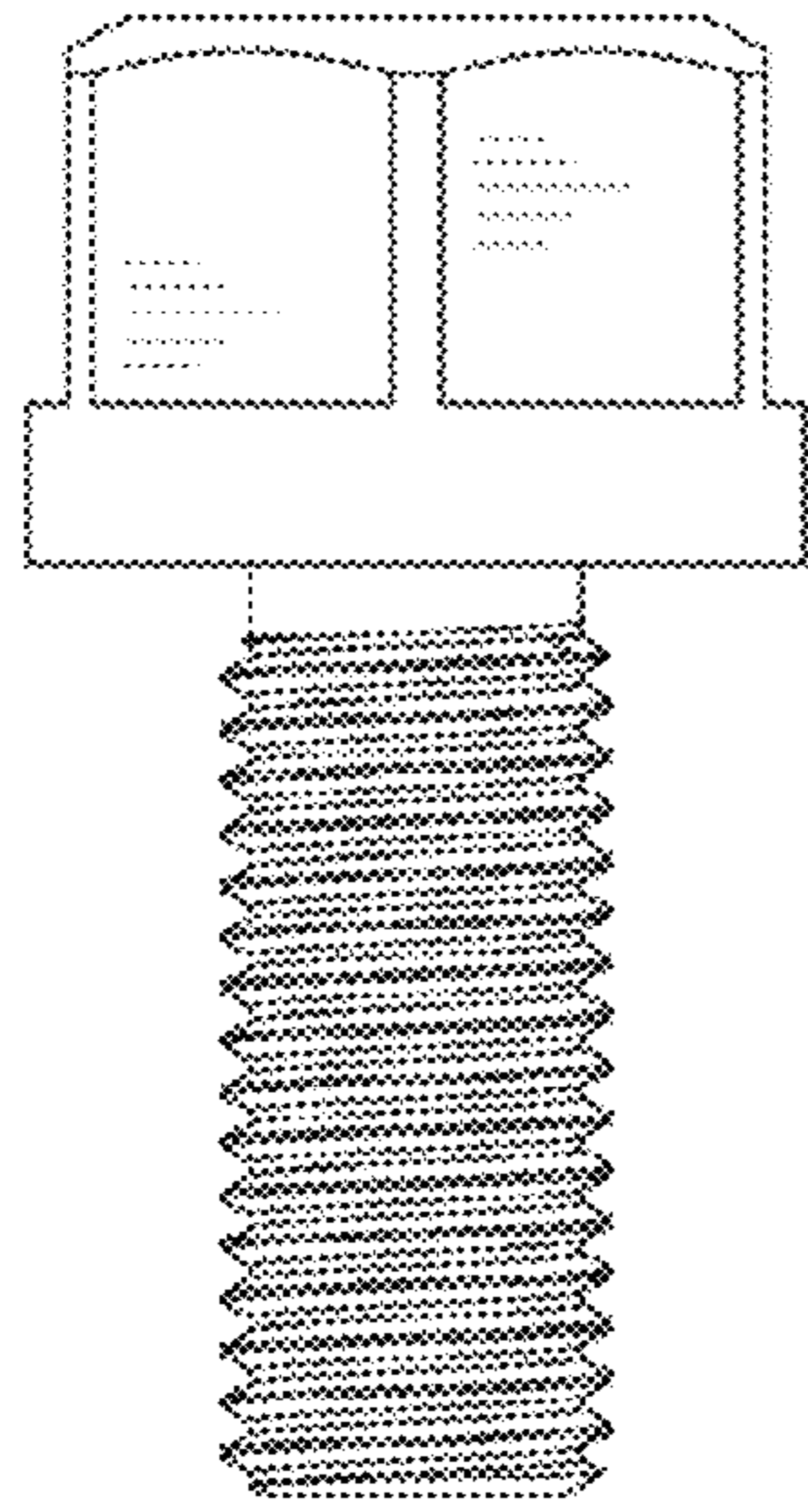
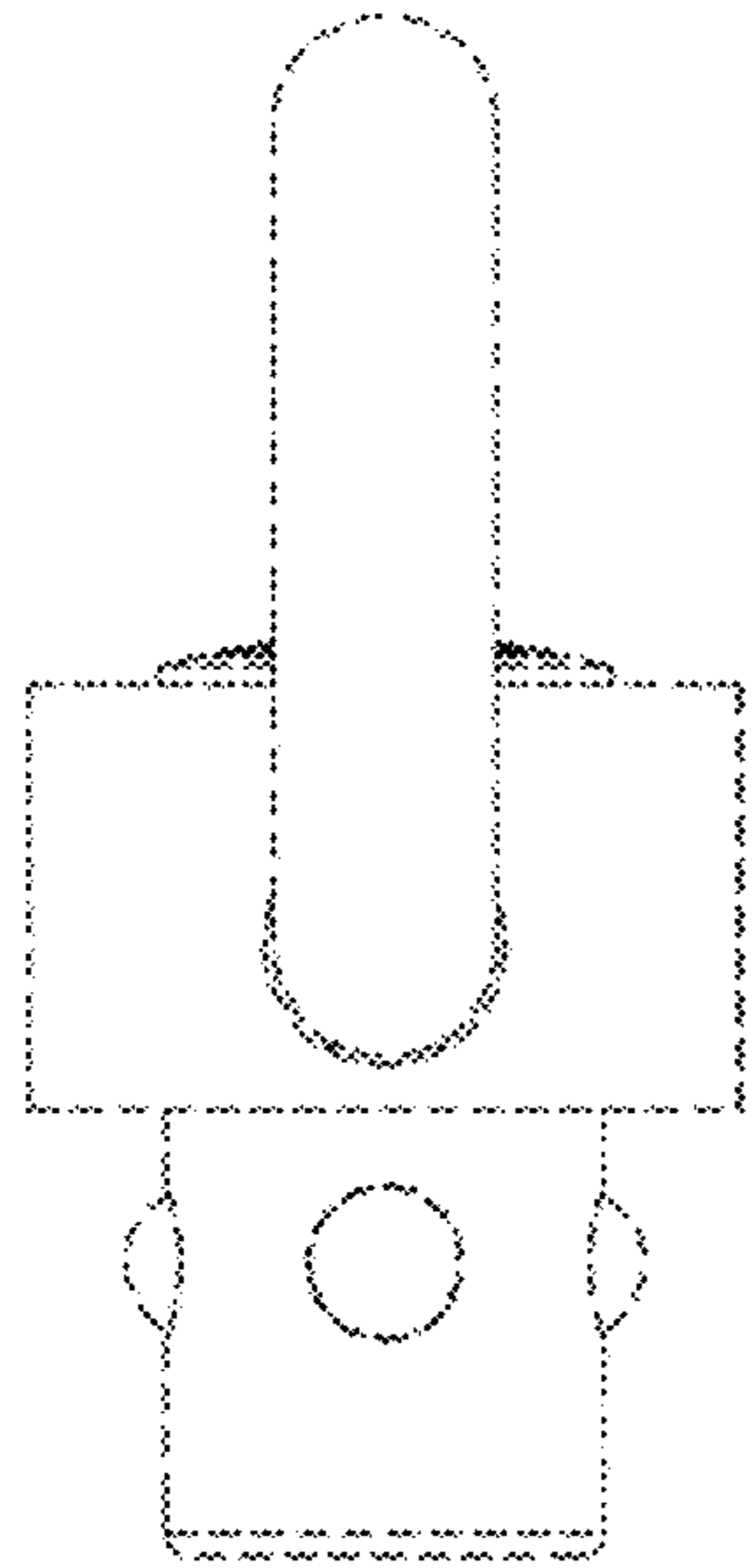


FIG. 3

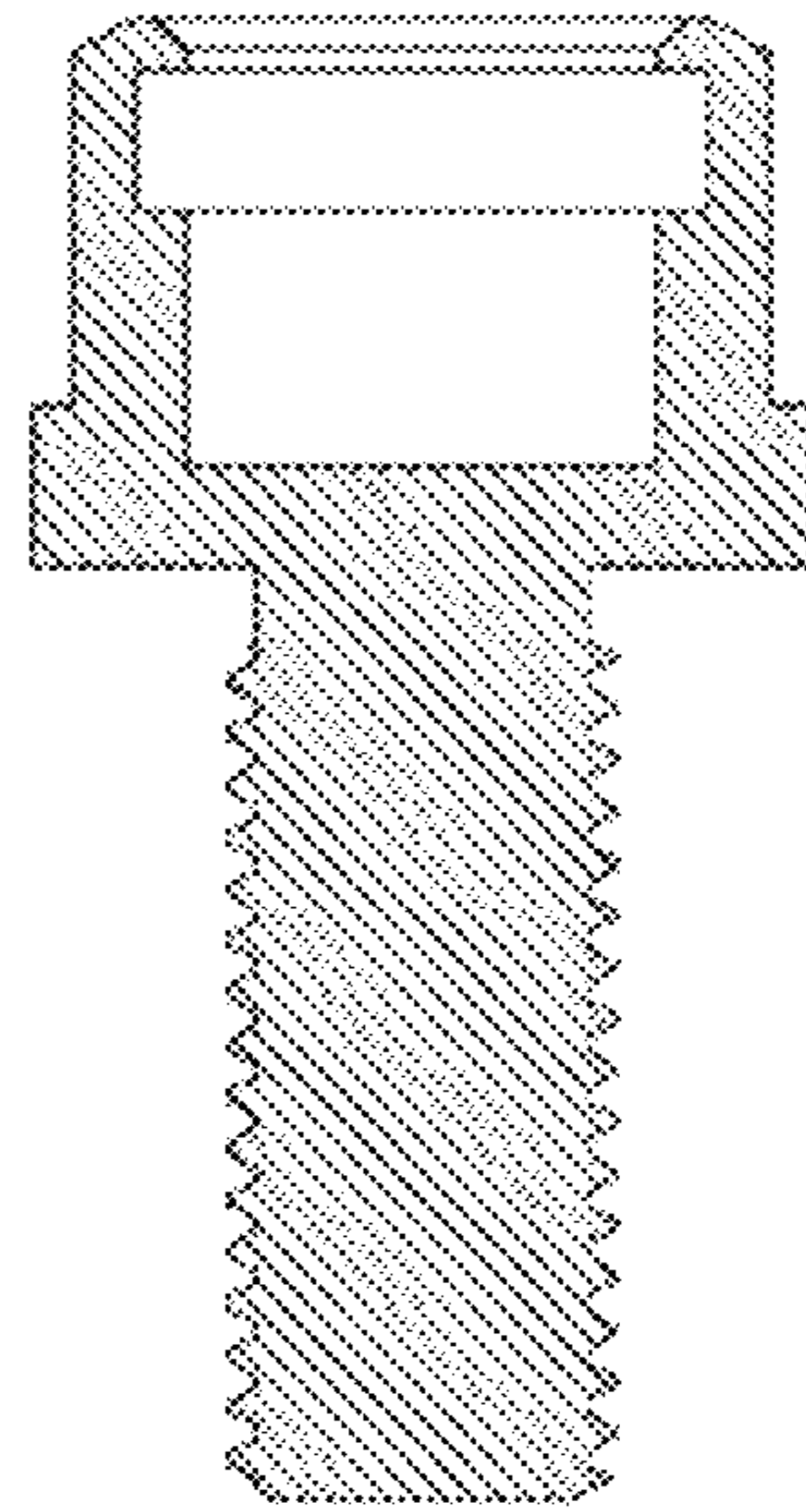


FIG. 4

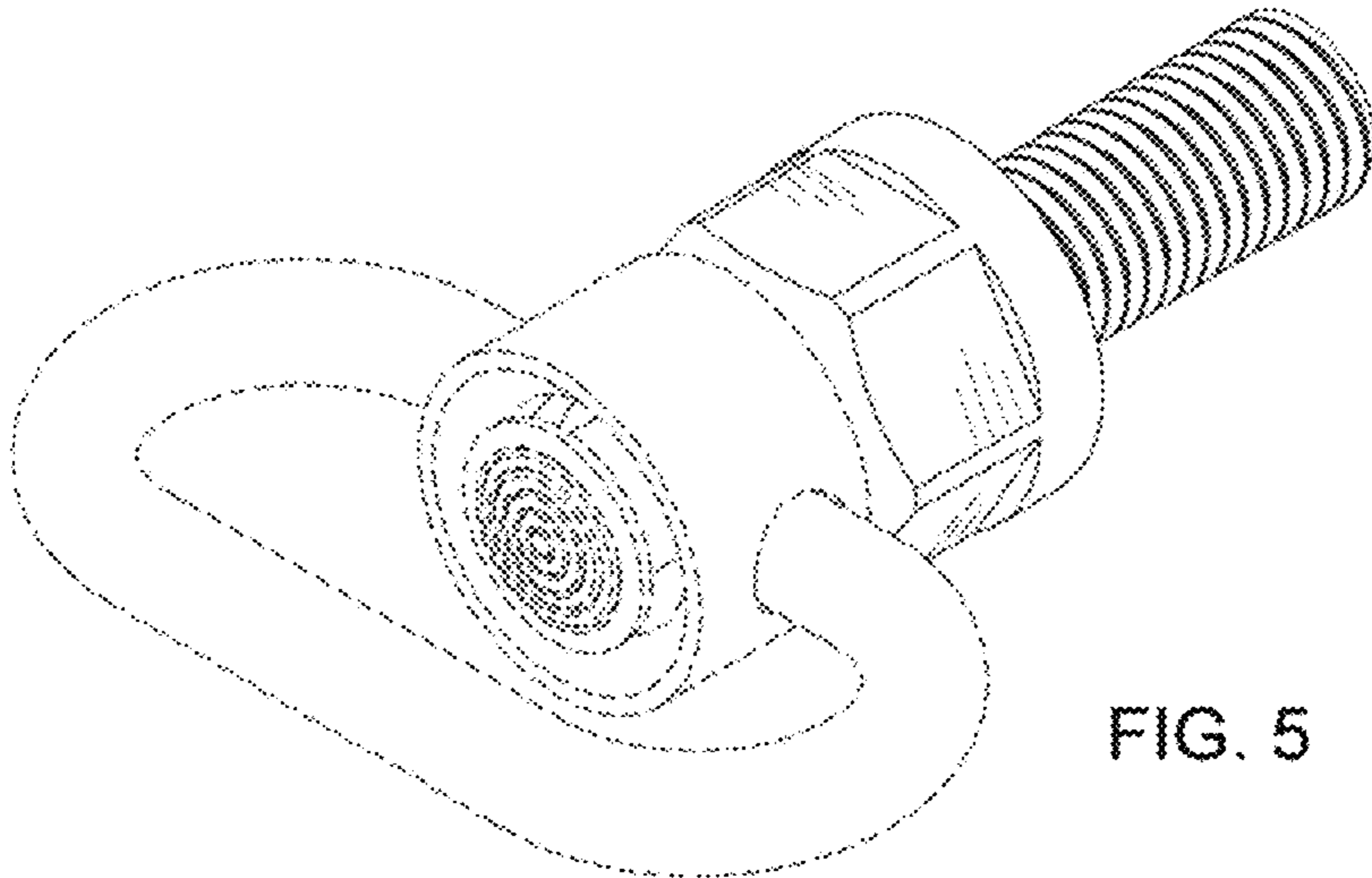


FIG. 5

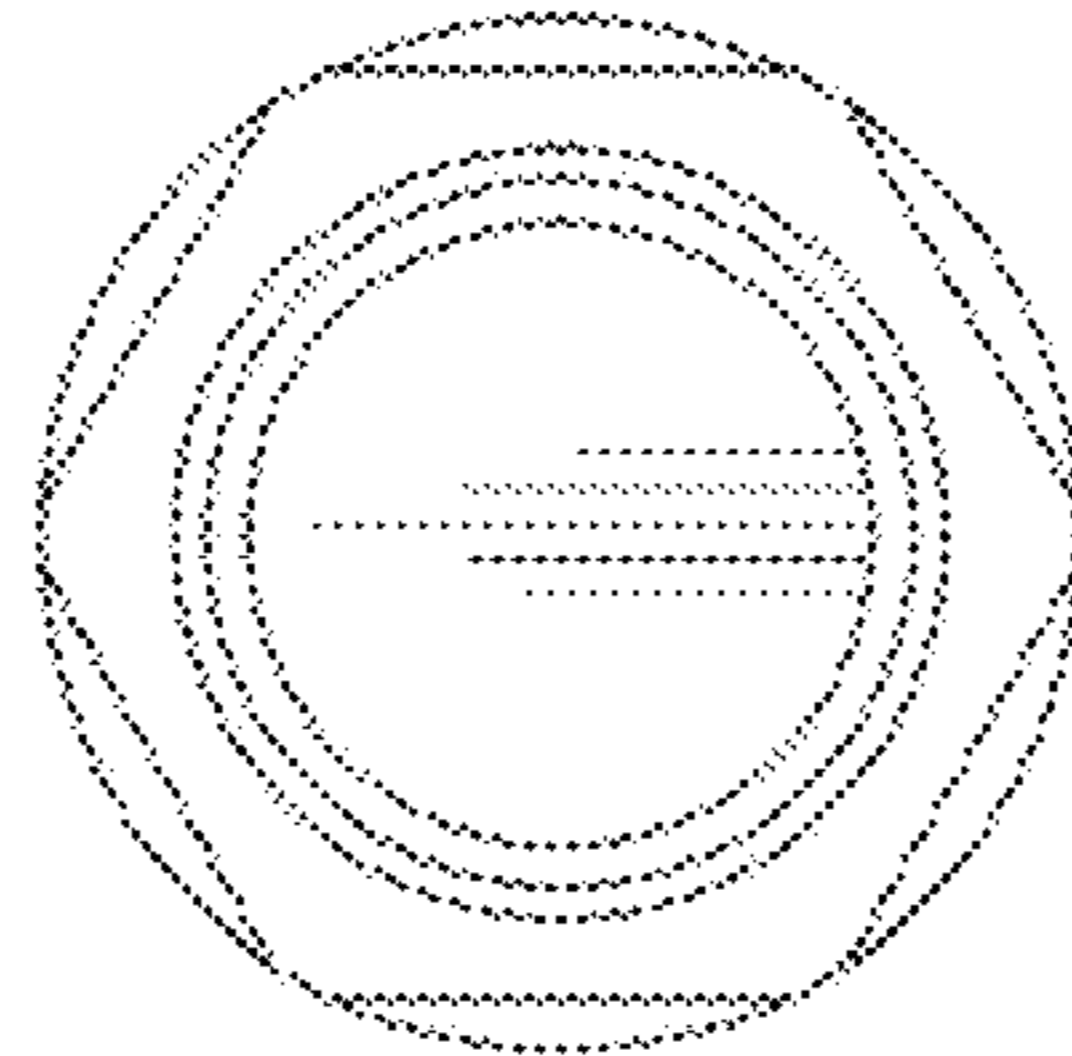


FIG. 6

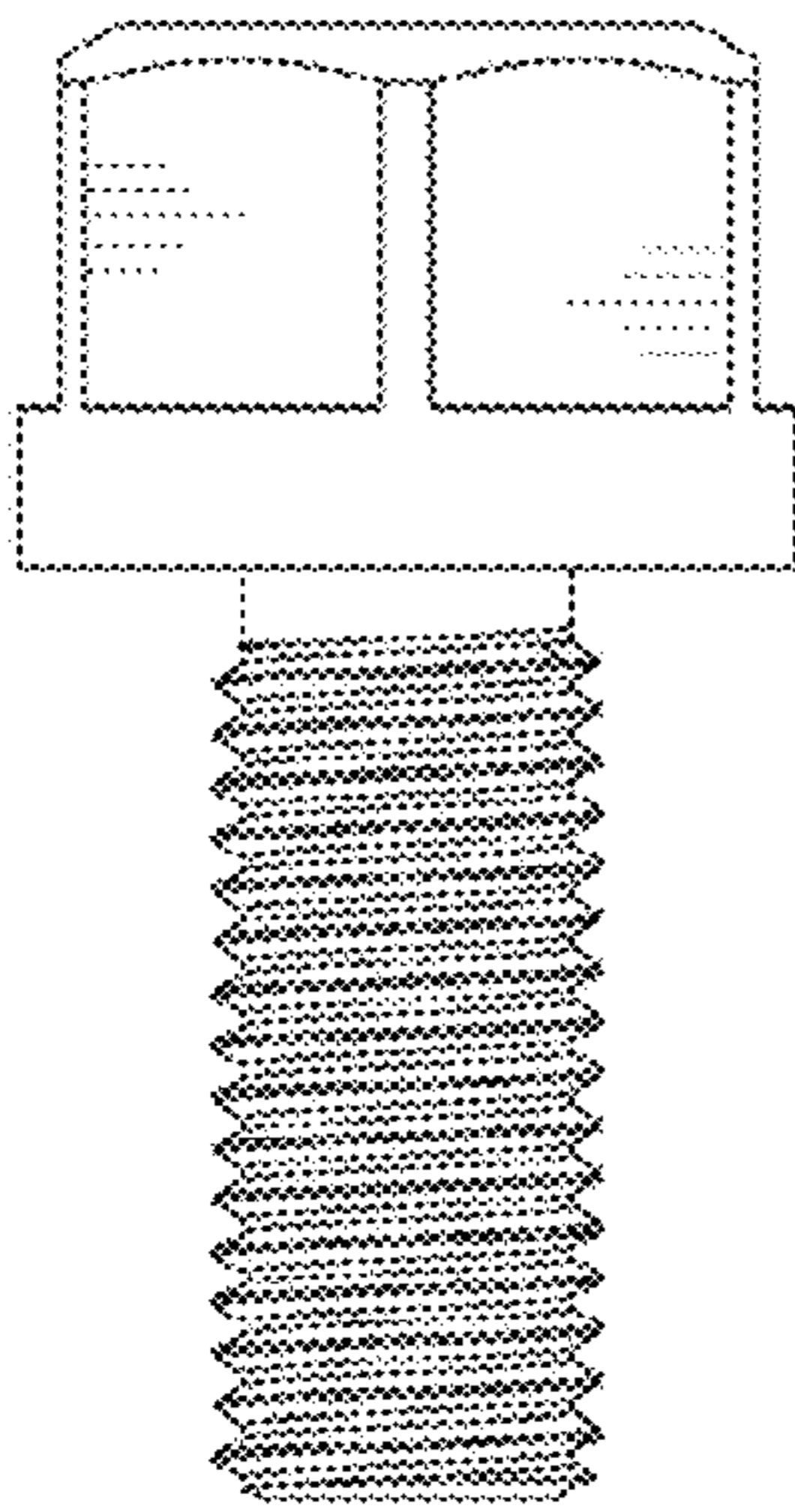


FIG. 7

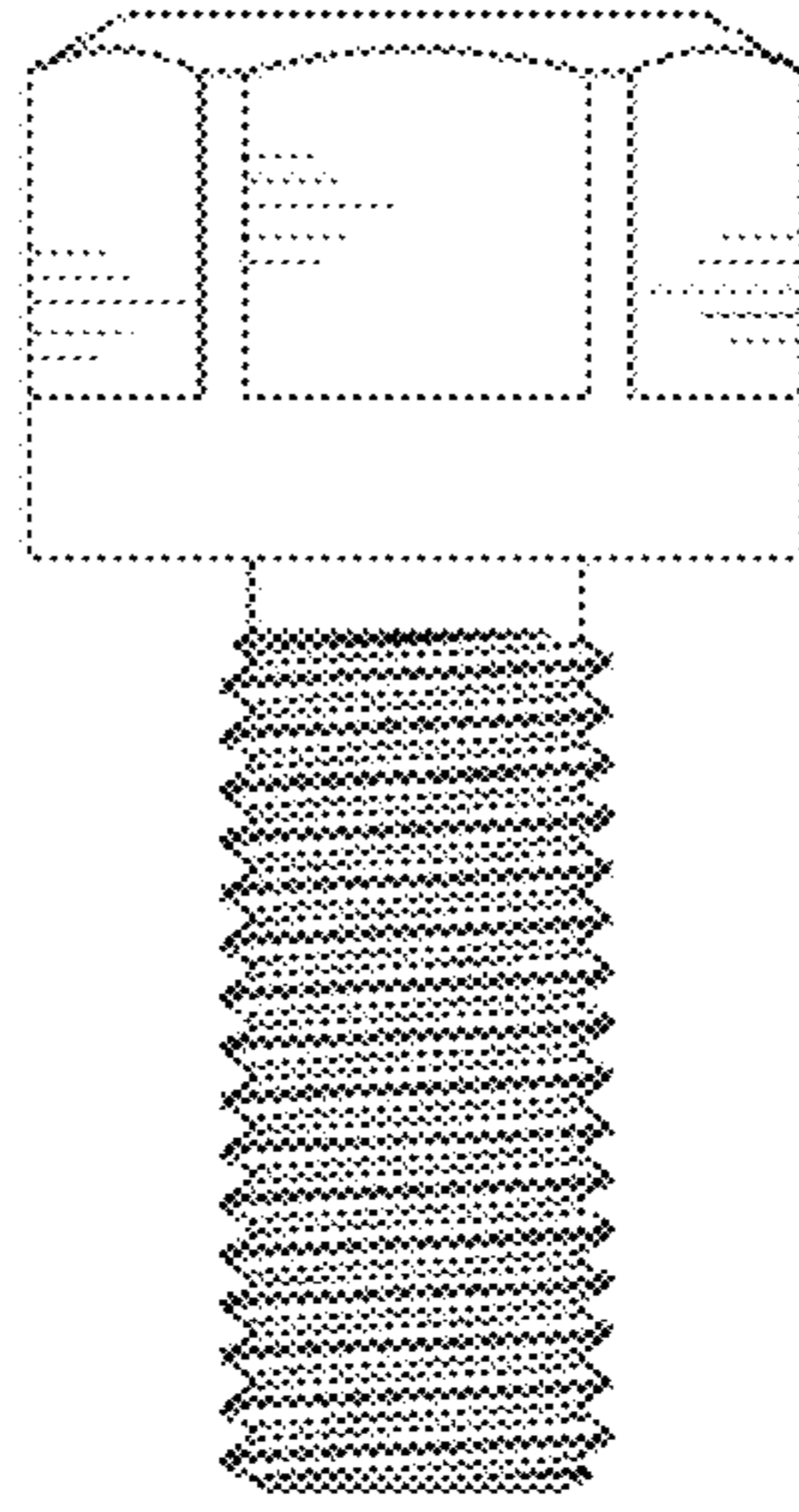


FIG. 8

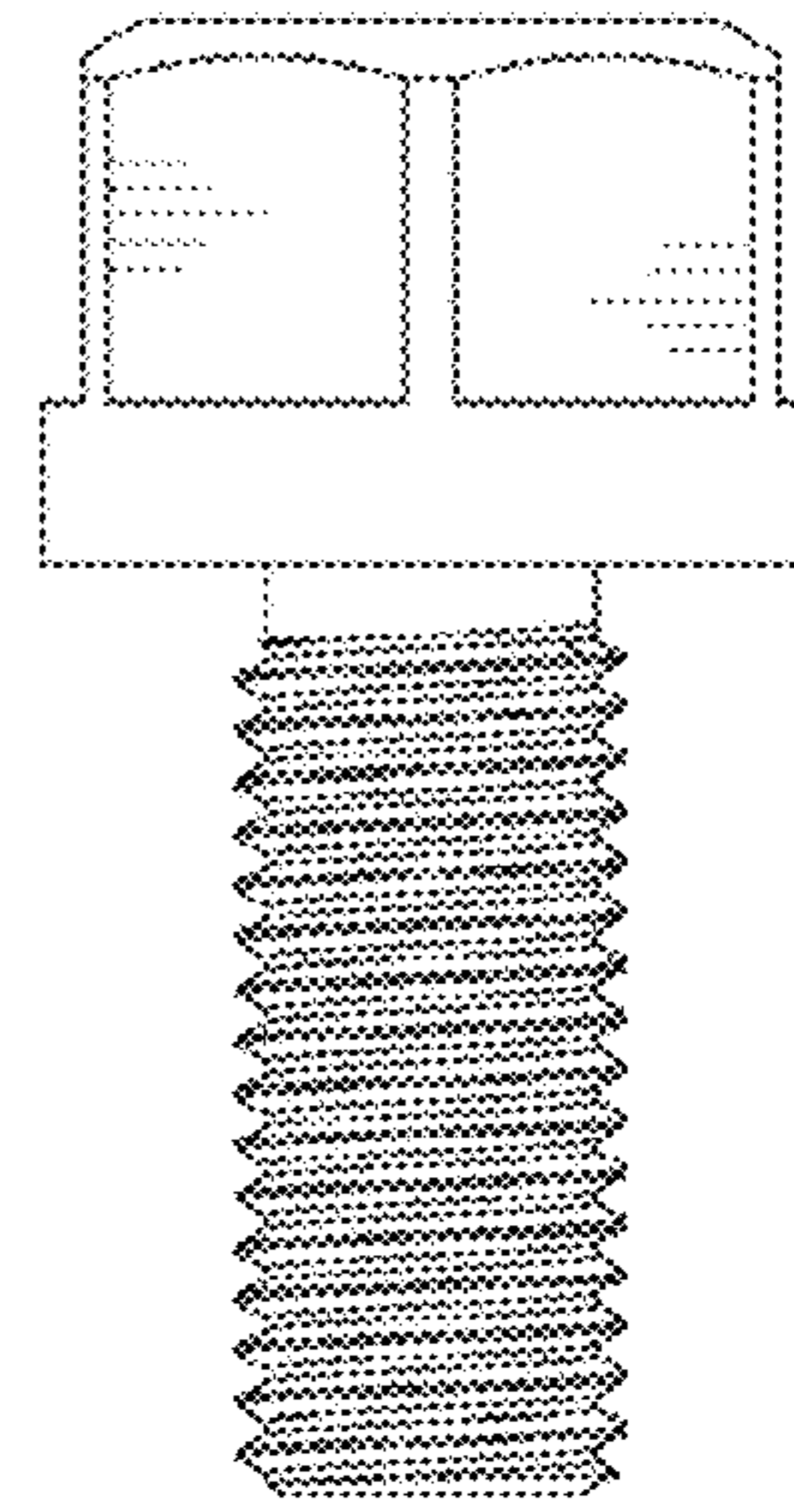


FIG. 9

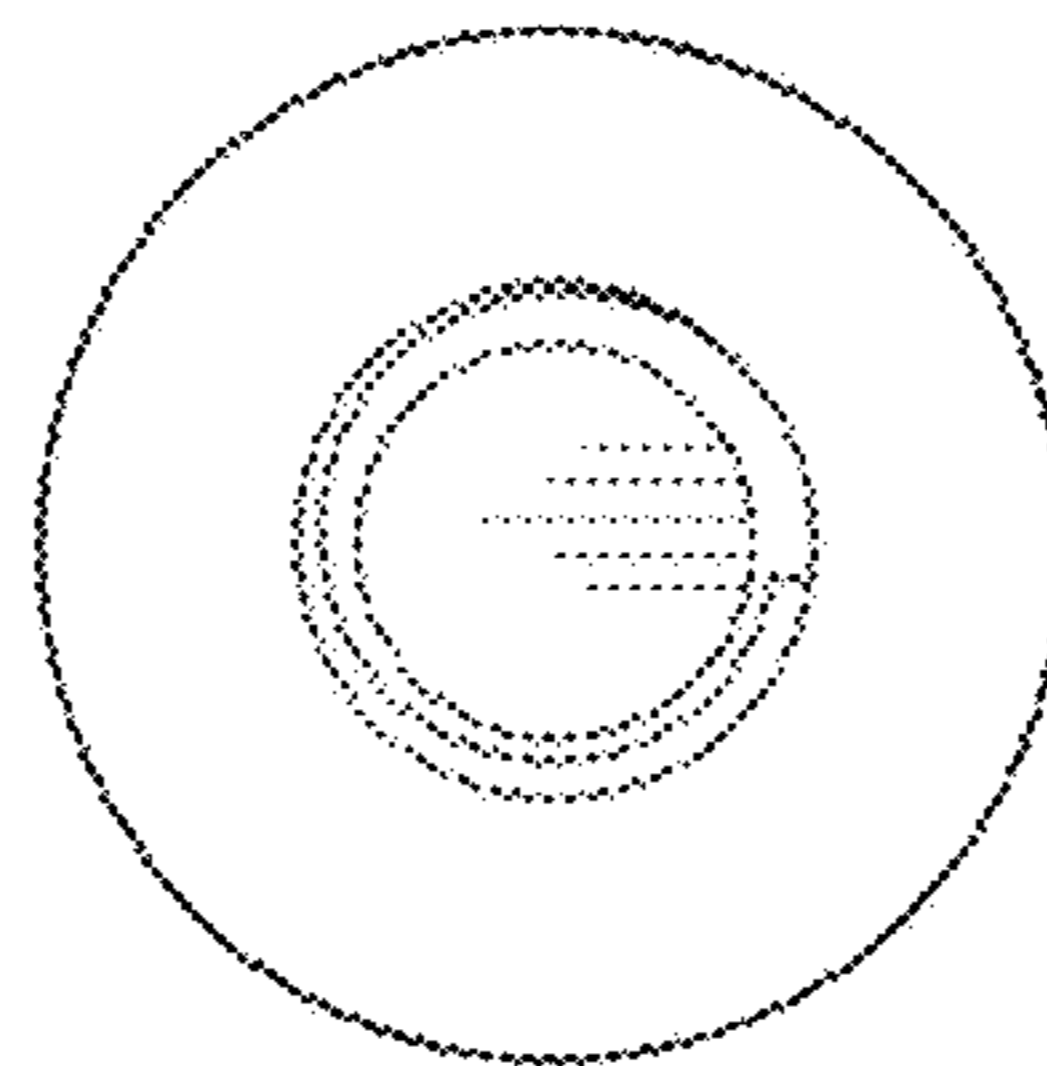


FIG. 10

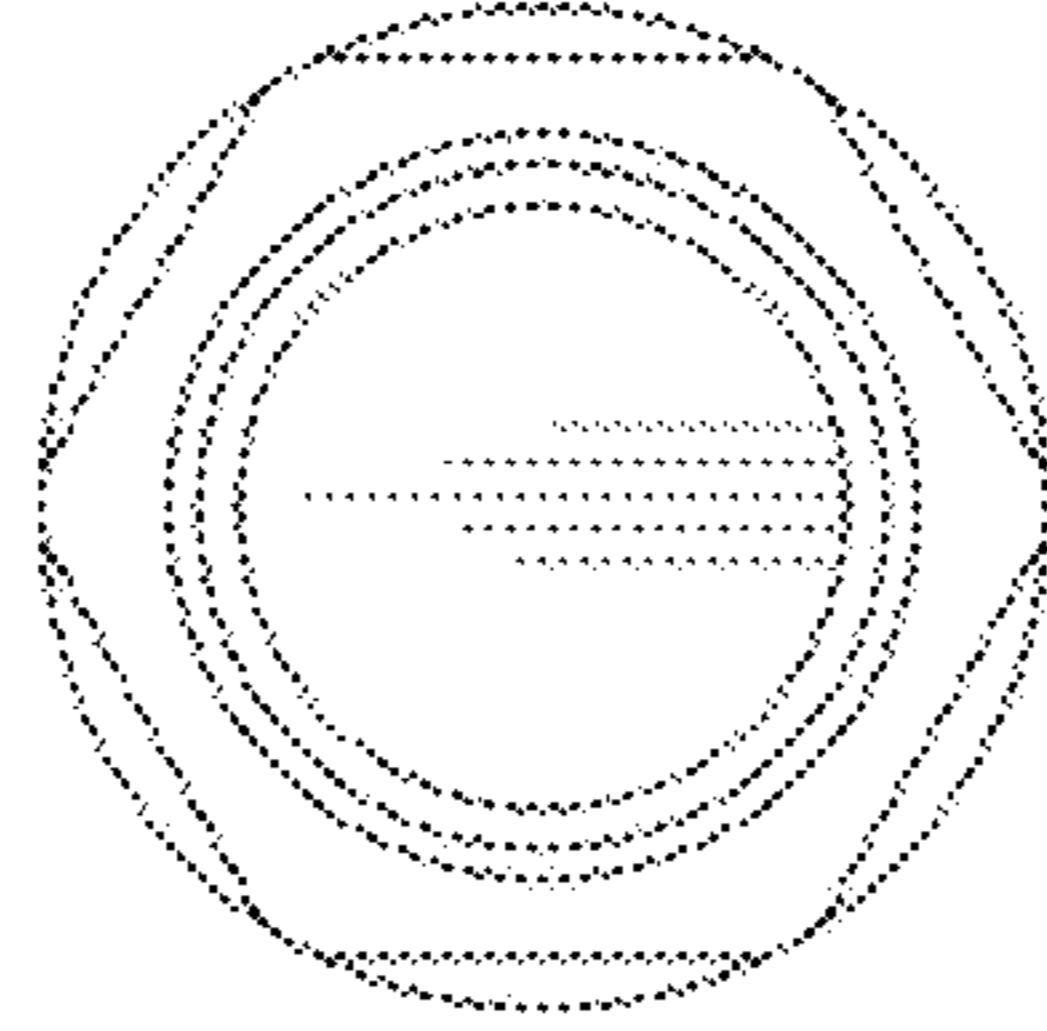


FIG. 11

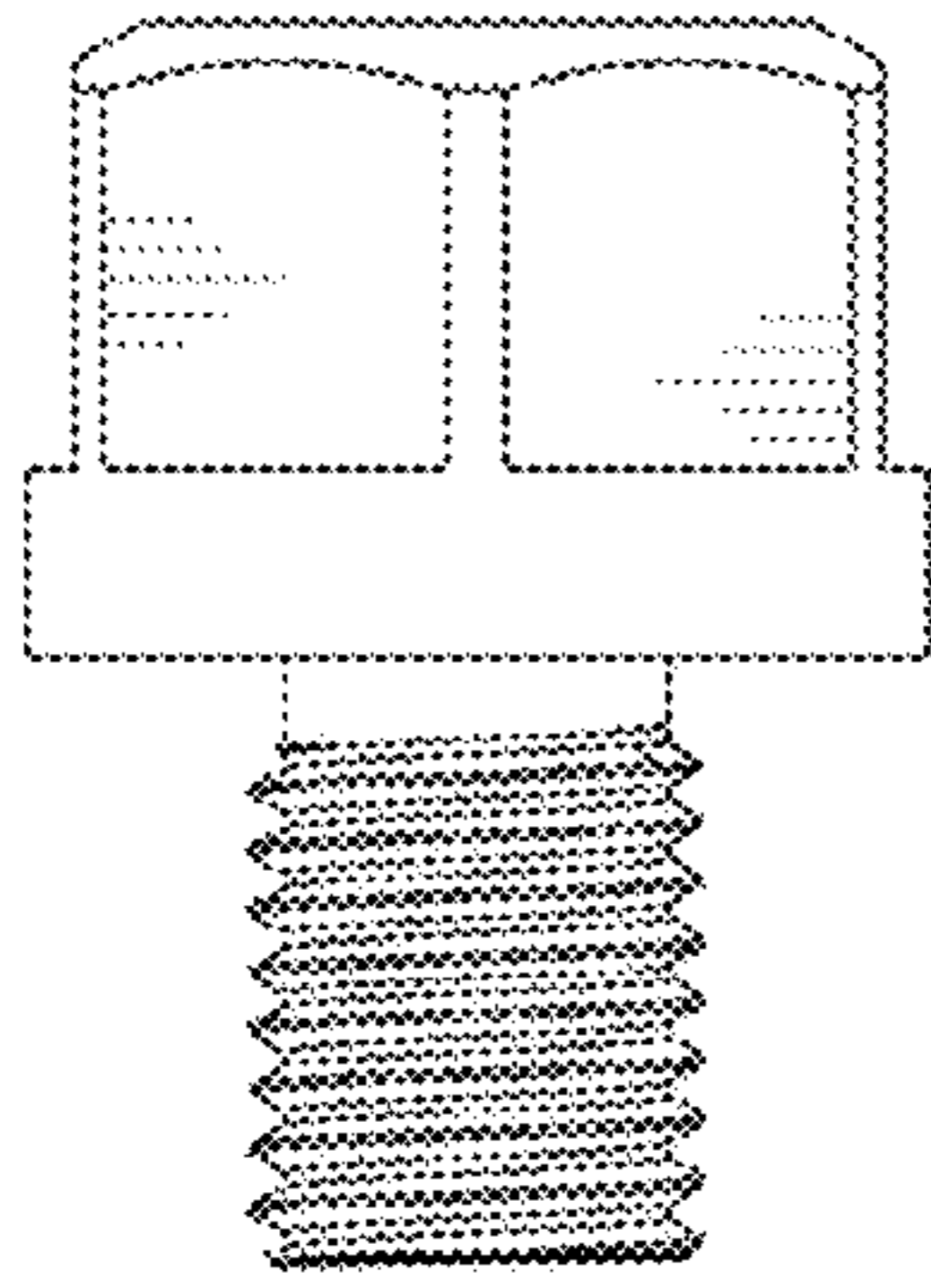


FIG. 12

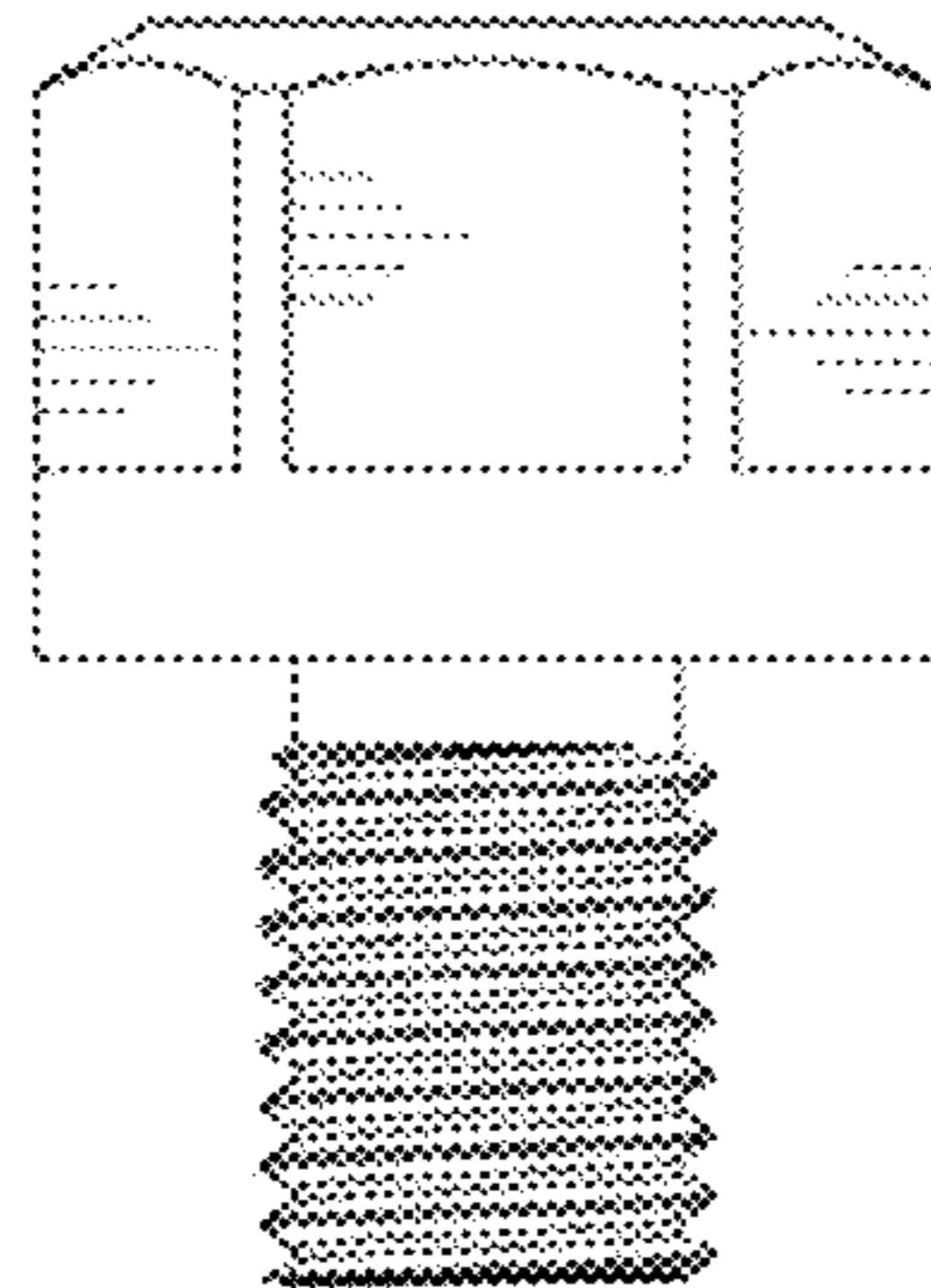


FIG. 13

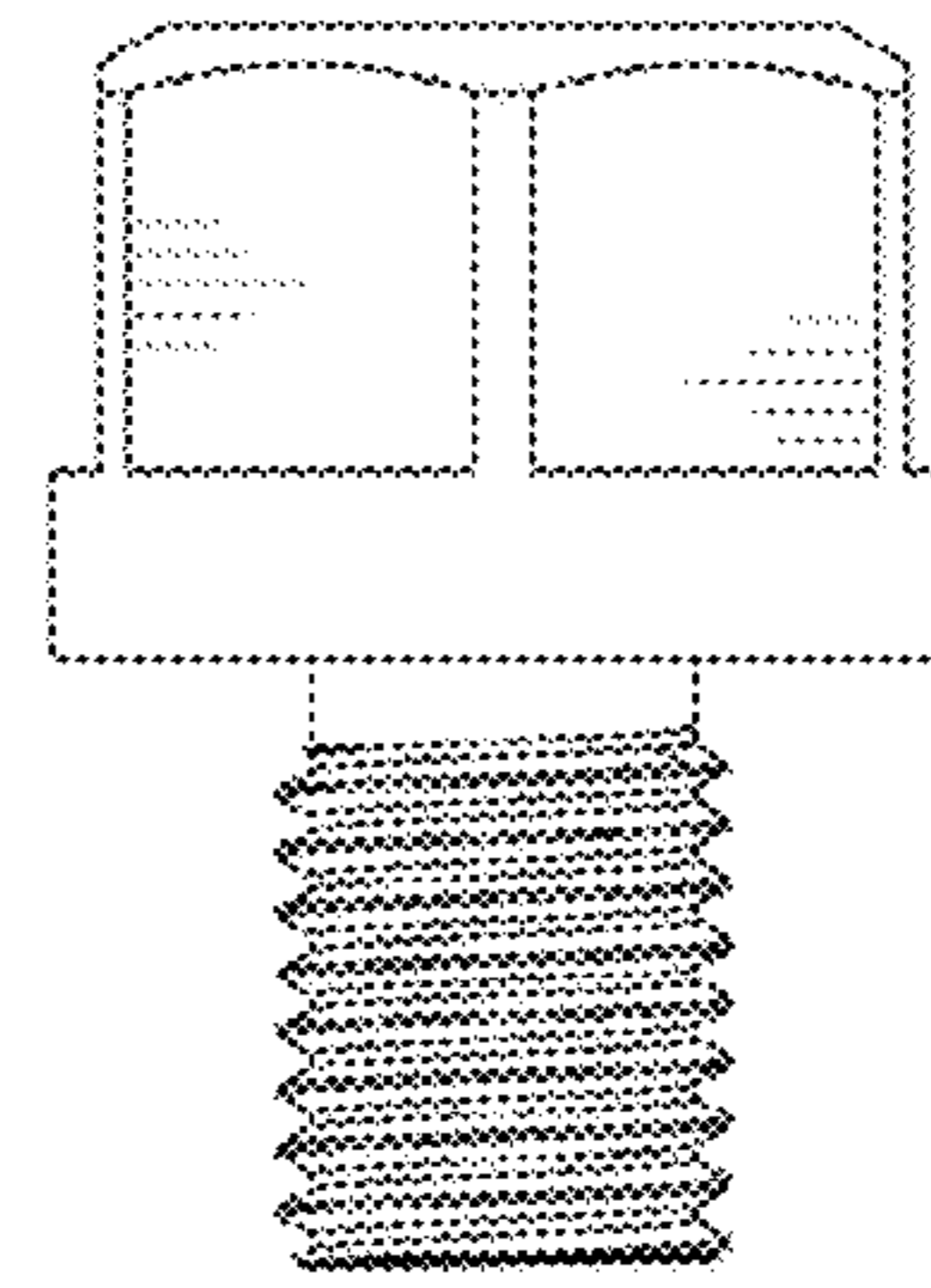


FIG. 14

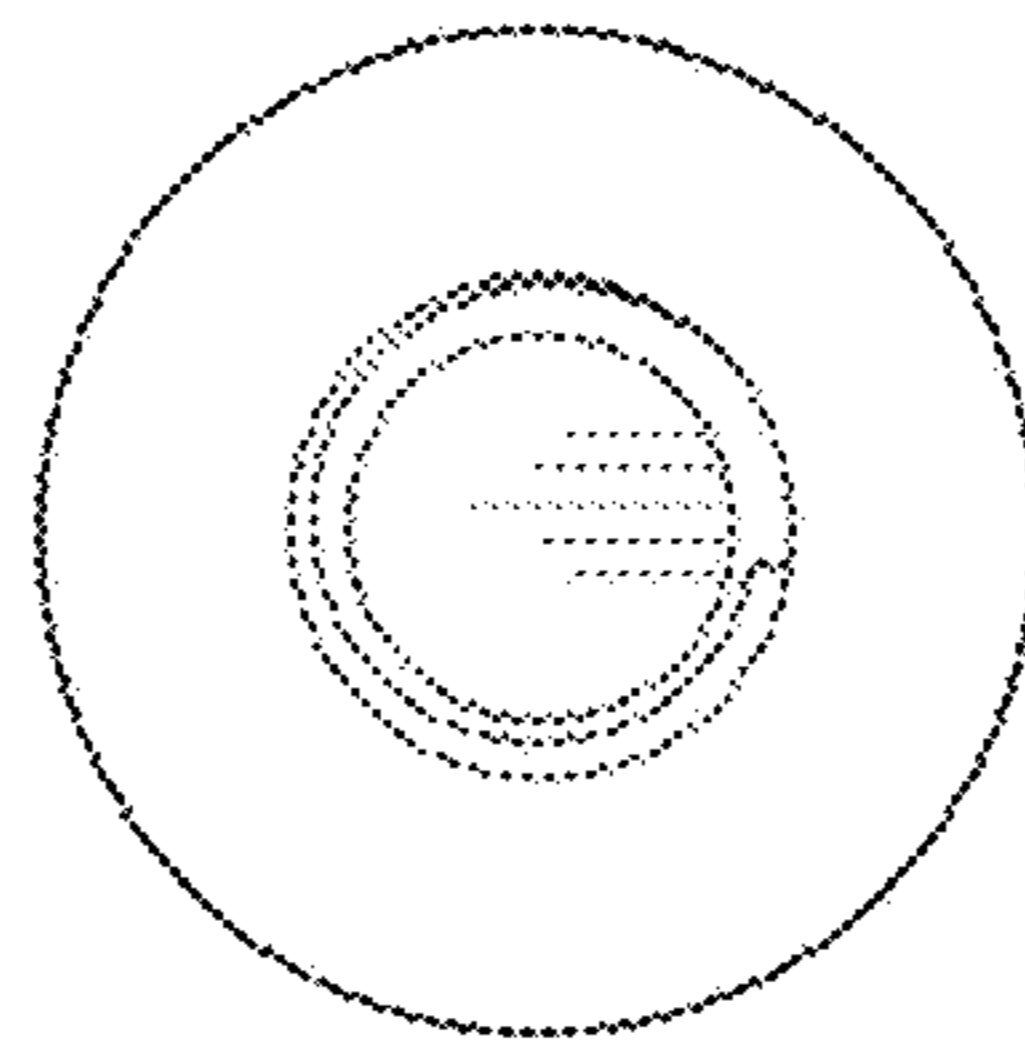


FIG. 15

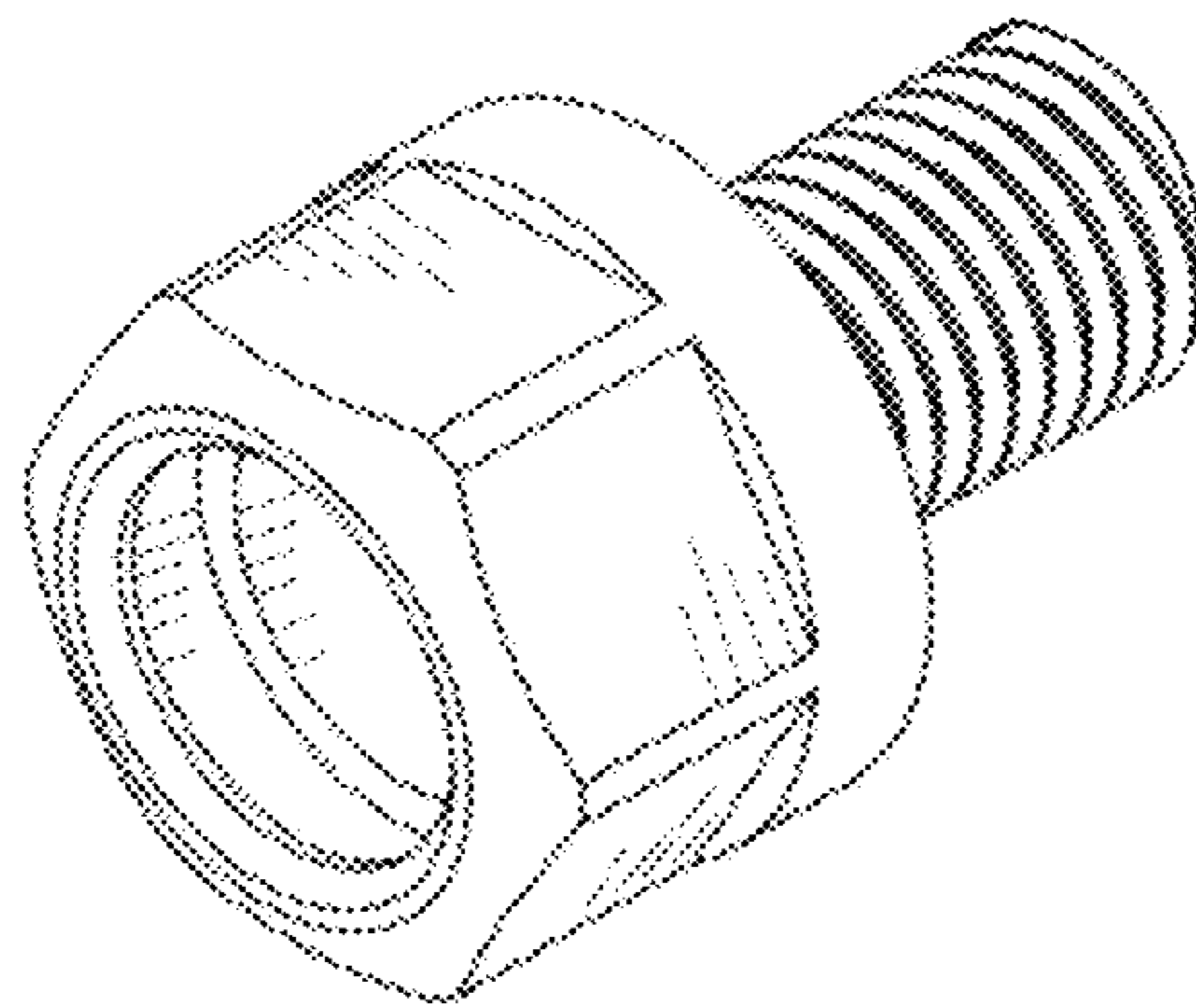


FIG. 16