



US00D840796S

(12) **United States Design Patent** (10) **Patent No.:** **US D840,796 S**  
**Hsiao** (45) **Date of Patent:** **\*\* Feb. 19, 2019**

(54) **SCREW**

(71) Applicant: **INTEGRAL BUILDING PRODUCTS INCORPORATION**, Tainan (TW)

(72) Inventor: **Li-Ching Hsiao**, Tainan (TW)

(73) Assignee: **Integral Building Products Incorporation**, Tainan (TW)

(\*\*) Term: **15 Years**

(21) Appl. No.: **29/636,968**

(22) Filed: **Feb. 13, 2018**

(51) **LOC (11) Cl.** ..... **08-08**

(52) **U.S. Cl.**  
 USPC ..... **D8/387**

(58) **Field of Classification Search**  
 USPC ..... D8/387, 382, 385, 388, 391, 393, 349, D8/354, 383, 499  
 CPC ..... F16B 13/00; F16B 13/124; F16B 23/00; F16B 23/0015; F16B 23/0023; F16B 23/003; F16B 23/0038; F16B 23/0046; F16B 23/0061; F16B 25/0036; F16B 25/0052; F16B 25/0057; F16B 25/0063; F16B 25/103; F16B 25/106; F16B 25/0078; F16B 33/02; F16B 35/04; F16B 35/06; F16B 35/041; F16B 35/048  
 See application file for complete search history.

(56) **References Cited**

U.S. PATENT DOCUMENTS

5,516,248 A \* 5/1996 DeHaitre ..... F16B 23/0015 411/387.2  
 D696,103 S \* 12/2013 Hsu ..... D8/387  
 2009/0028665 A1 \* 1/2009 Chang ..... F16B 25/0015 411/387.3

2009/0110512 A1 \* 4/2009 Chen ..... F16B 25/0052 411/386  
 2011/0318137 A1 \* 12/2011 Chen ..... F16B 25/0052 411/387.1  
 2012/0294693 A1 \* 11/2012 Gonciarz ..... F16B 25/0063 411/387.1  
 2013/0011214 A1 \* 1/2013 Lin ..... F16B 25/0015 411/387.4  
 2014/0314522 A1 \* 10/2014 Lin ..... F16B 25/0057 411/387.1  
 2015/0184685 A1 \* 7/2015 Su ..... F16B 25/103 411/387.2  
 2015/0322990 A1 \* 11/2015 Langewiesche .... F16B 25/0015 411/387.1  
 2016/0290382 A1 \* 10/2016 Dill ..... F16B 35/065  
 2017/0159692 A1 \* 6/2017 Su ..... F16B 25/0052  
 2017/0284447 A1 \* 10/2017 Falkenstein ..... F16B 23/003  
 2018/0266467 A1 \* 9/2018 Lin ..... F16B 25/0084

\* cited by examiner

*Primary Examiner* — Sandra S Snapp  
*Assistant Examiner* — Ieisha N Price  
 (74) *Attorney, Agent, or Firm* — Rosenberg, Klein & Lee

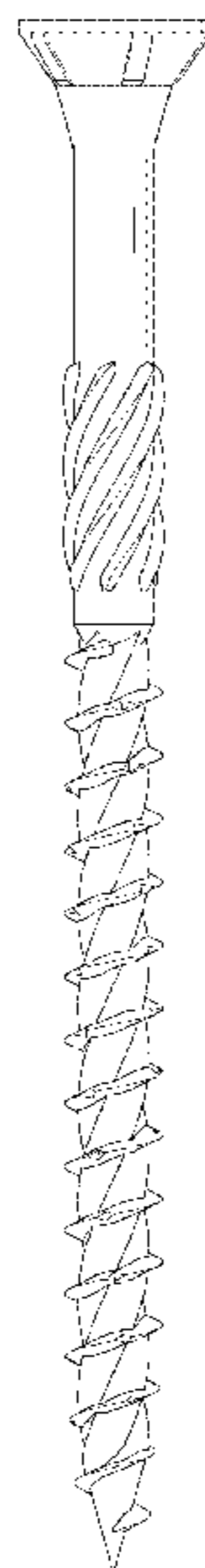
(57) **CLAIM**

The ornamental design for a screw, as shown and described.

**DESCRIPTION**

FIG. 1 is a perspective view of a screw showing my new design;  
 FIG. 2 is a front elevational view thereof;  
 FIG. 3 is a rear elevational view thereof;  
 FIG. 4 is a left side elevational view thereof;  
 FIG. 5 is a right side elevational view thereof;  
 FIG. 6 is a top plan view thereof; and,  
 FIG. 7 is a bottom plan view thereof.  
 The broken lines in the drawings illustrate portions of the screw and form no part of the claimed design.

**1 Claim, 7 Drawing Sheets**



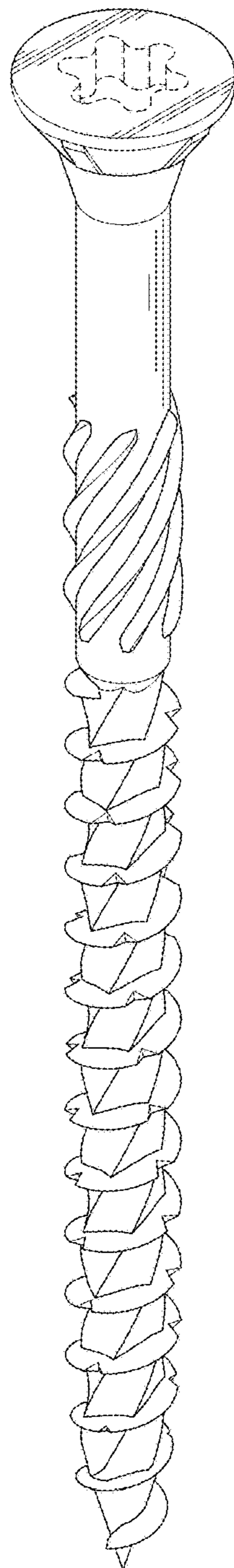


FIG. 1

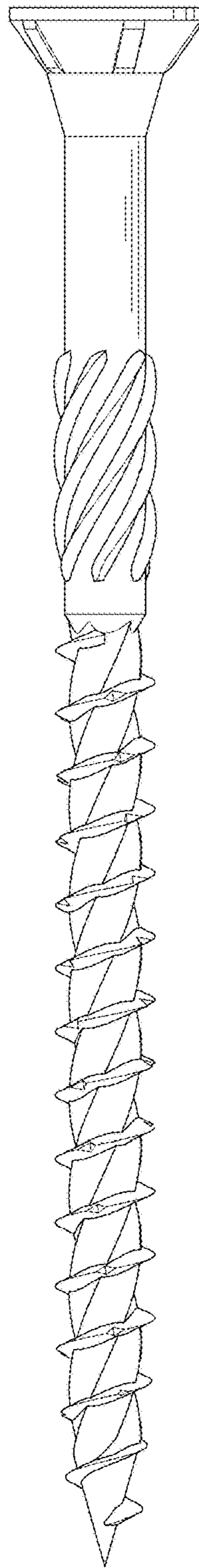


FIG. 2

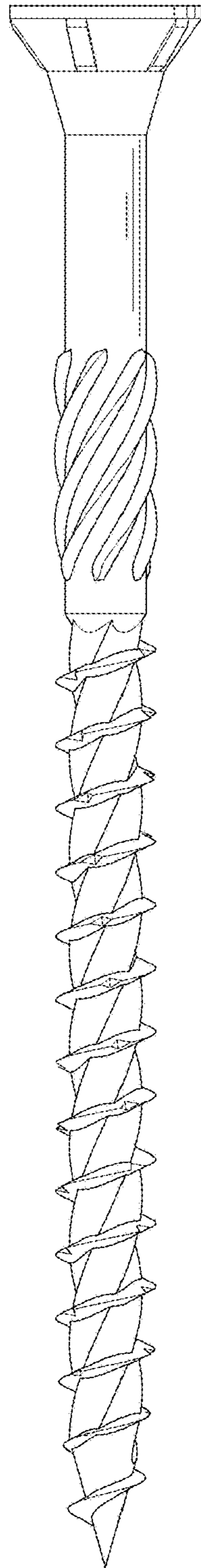


FIG. 3

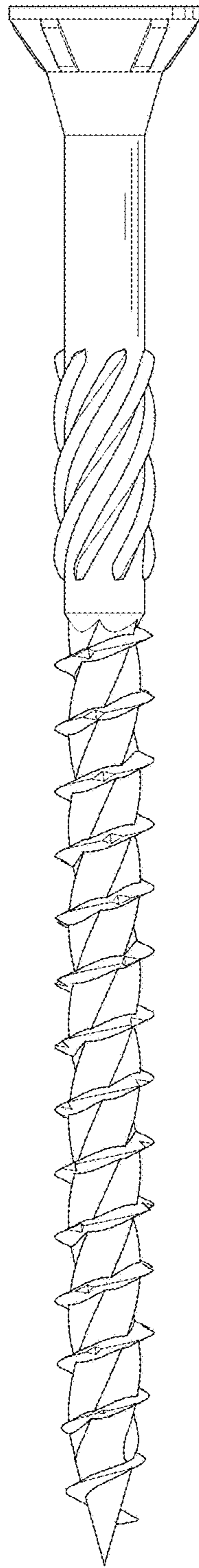


FIG. 4

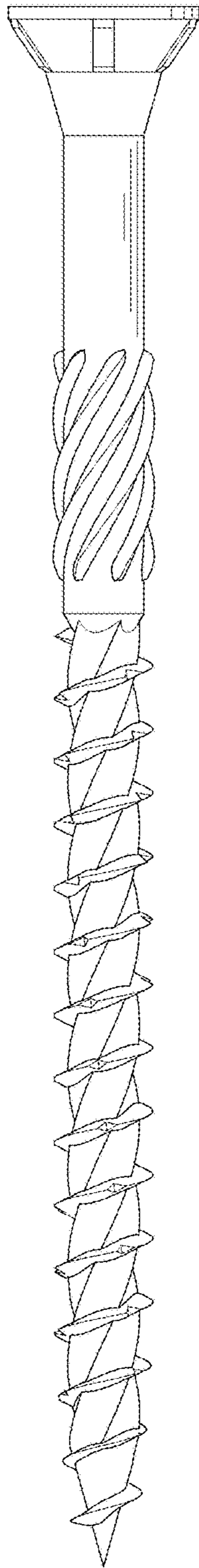


FIG. 5

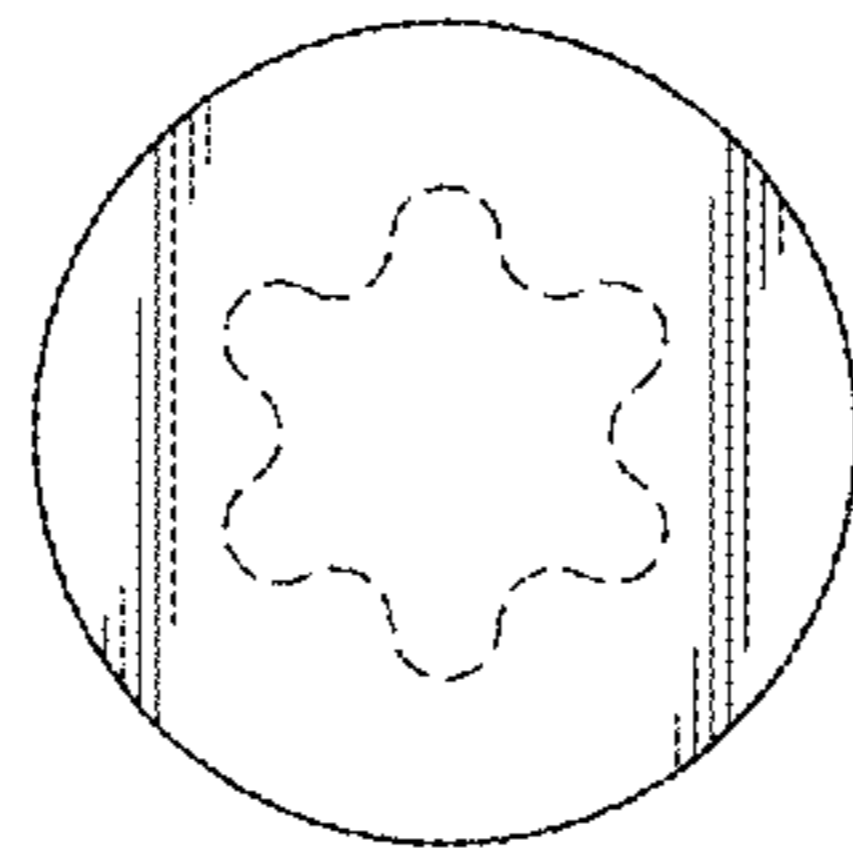


FIG. 6

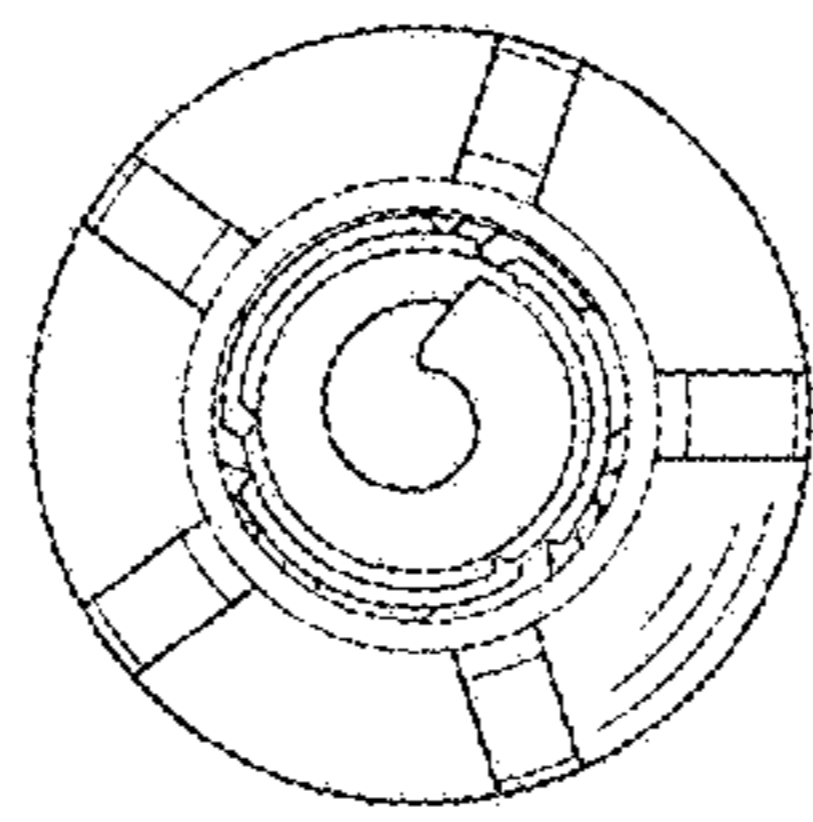


FIG. 7