



US00D840795S

(12) **United States Design Patent**
Tribbett

(10) **Patent No.:** **US D840,795 S**
(45) **Date of Patent:** **** Feb. 19, 2019**

(54) **COUPLING ARTICLE**

(71) Applicant: **Stephen LaMont Tribbett**, Dallas, TX
(US)

(72) Inventor: **Stephen LaMont Tribbett**, Dallas, TX
(US)

(**) Term: **15 Years**

(21) Appl. No.: **29/610,645**

(22) Filed: **Jul. 13, 2017**

Related U.S. Application Data

(63) Continuation of application No. 15/442,701, filed on
Feb. 26, 2017.

(51) **LOC (11) Cl.** **08-08**

(52) **U.S. Cl.**
USPC **D8/383; D8/356**

(58) **Field of Classification Search**
USPC ... D8/71, 349, 354, 356, 382, 383, 394, 499
CPC F16G 11/00; F16G 11/02; F16G 11/103;
F16G 11/046; F16G 11/048; F16G
11/105; Y10T 24/39; Y10T 24/3971;
Y10T 24/3713; Y10T 24/44222
See application file for complete search history.

(56) **References Cited**

U.S. PATENT DOCUMENTS

3,136,515 A * 6/1964 Potruch F16L 3/13
174/146
3,432,129 A * 3/1969 Santucci F16L 3/237
24/343
5,232,193 A * 8/1993 Skakoon A61M 5/1418
24/130

D390,066 S * 2/1998 Watkins D7/633
D406,749 S * 3/1999 Selk D8/356
D420,568 S * 2/2000 Repmann D8/382
6,405,414 B1 * 6/2002 Byrnes A61M 25/00
24/339
D522,352 S * 6/2006 Van Straaten D8/395
H2203 H * 10/2007 Borchardt D8/396
D581,255 S * 11/2008 Calvin D8/356
D631,740 S * 2/2011 Wood D8/396
D717,157 S * 11/2014 Widdows D8/356
D731,296 S * 6/2015 Nelson D8/356
D732,933 S * 6/2015 Jansen D8/356
D791,582 S * 7/2017 Nelson D8/356
D795,061 S * 8/2017 Bacallao D6/699.4
2010/0132979 A1 * 6/2010 Chen F16L 3/223
174/135
2016/0355121 A1 * 12/2016 Gertsma B60P 7/0846

* cited by examiner

Primary Examiner — Sandra S Snapp

Assistant Examiner — Ieisha N Price

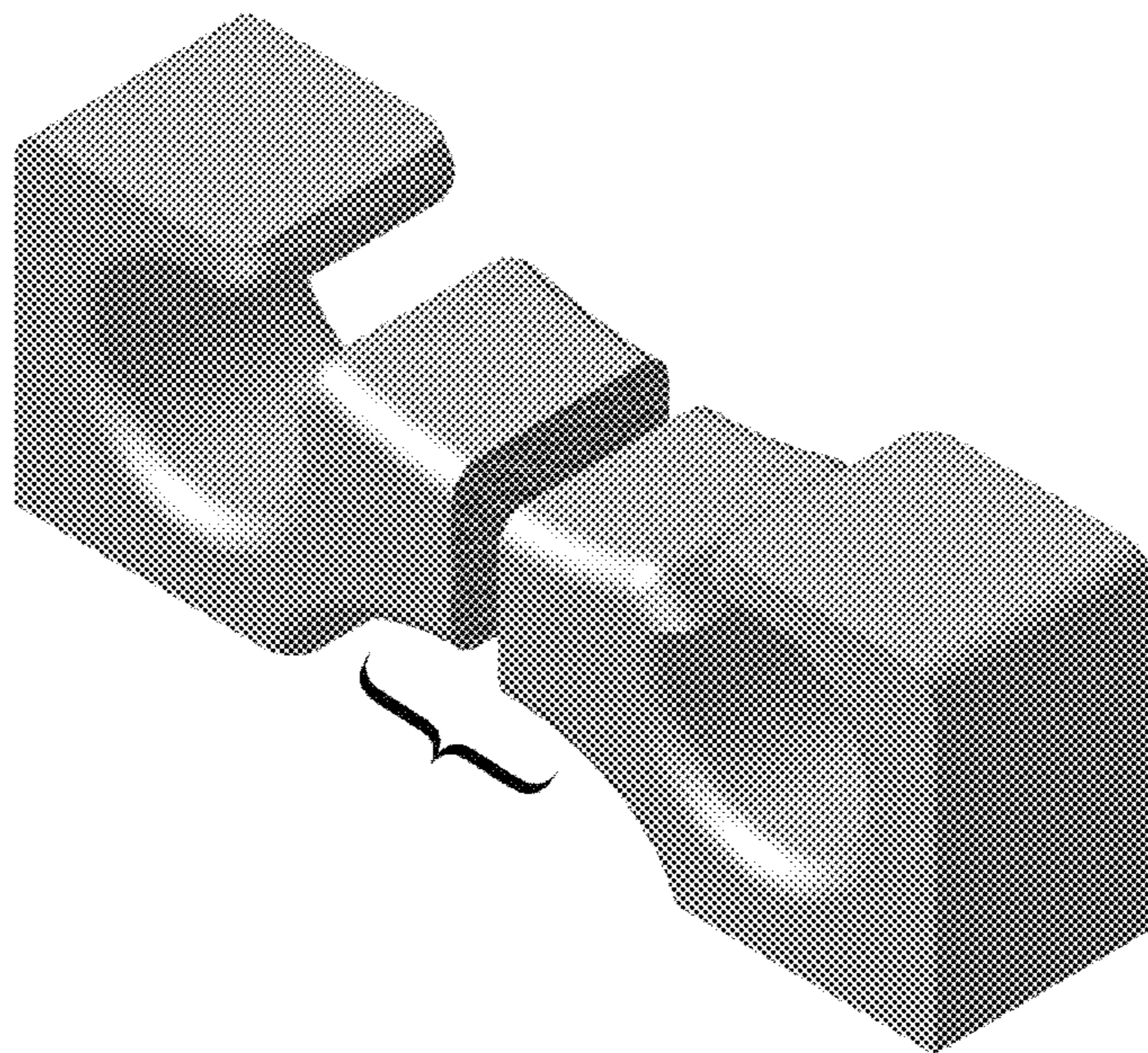
(57) **CLAIM**

The ornamental design for a coupling article, as shown and
described.

DESCRIPTION

FIG. 1 is a perspective view of a coupling article;
FIG. 2 is a top plan view of FIG. 1
FIG. 3 is a front elevational view of FIG. 1, the rear
elevational view being a mirror image;
FIG. 4 is a right side elevational view of FIG. 1, the left side
elevational being a mirror image; and,
FIG. 5 is a bottom plan view of FIG. 1.
The coupling article is shown with a symbolic break in its
length. The appearance of any portion of the article between
the break lines forms no part of the claimed design.

1 Claim, 1 Drawing Sheet



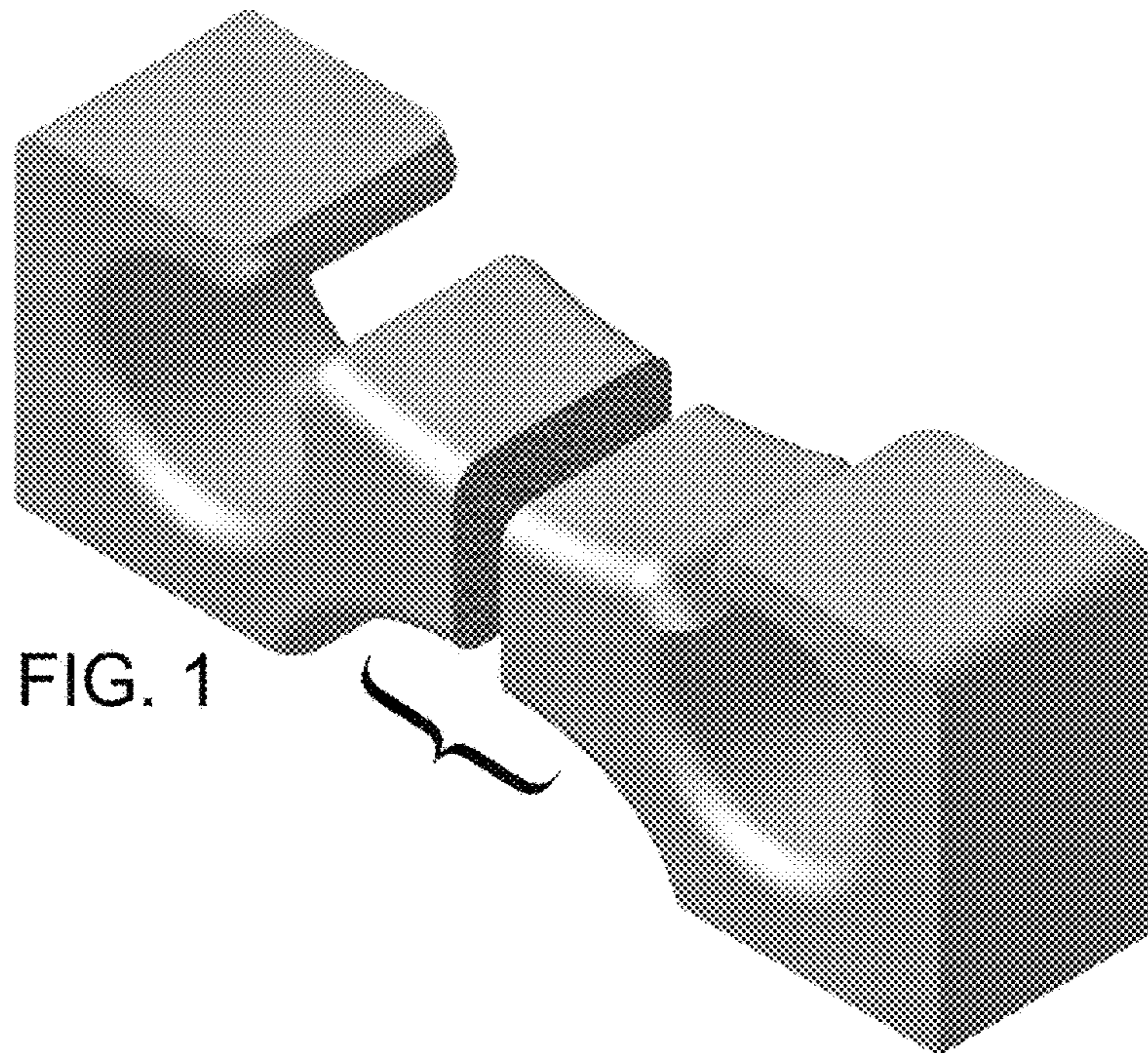


FIG. 1

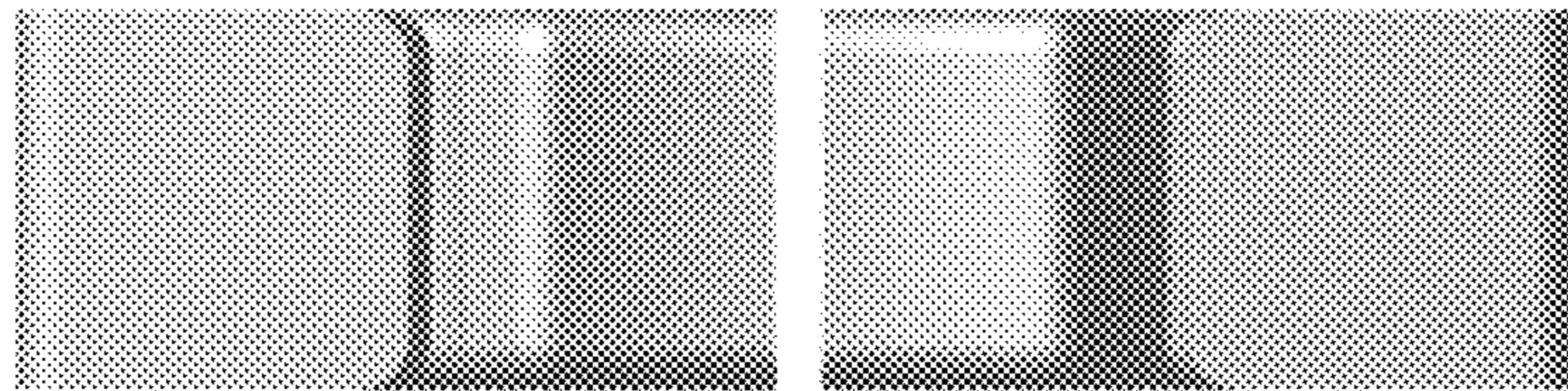


FIG. 2

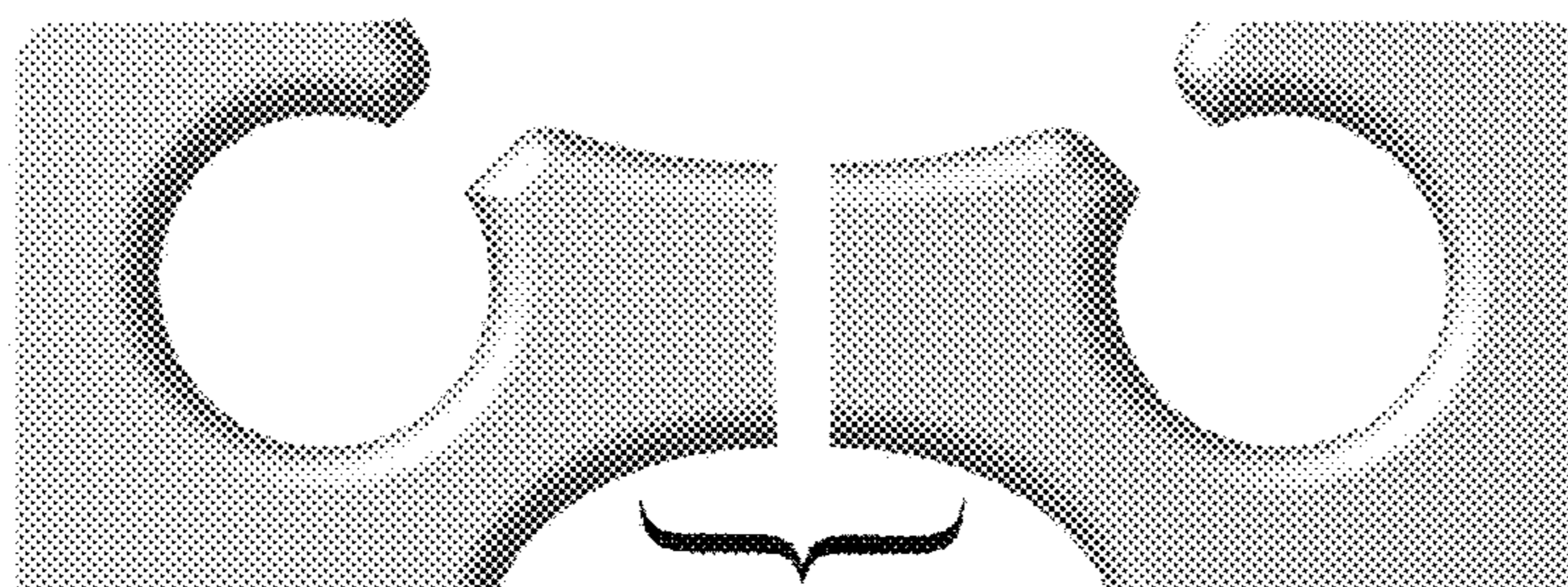


FIG. 3

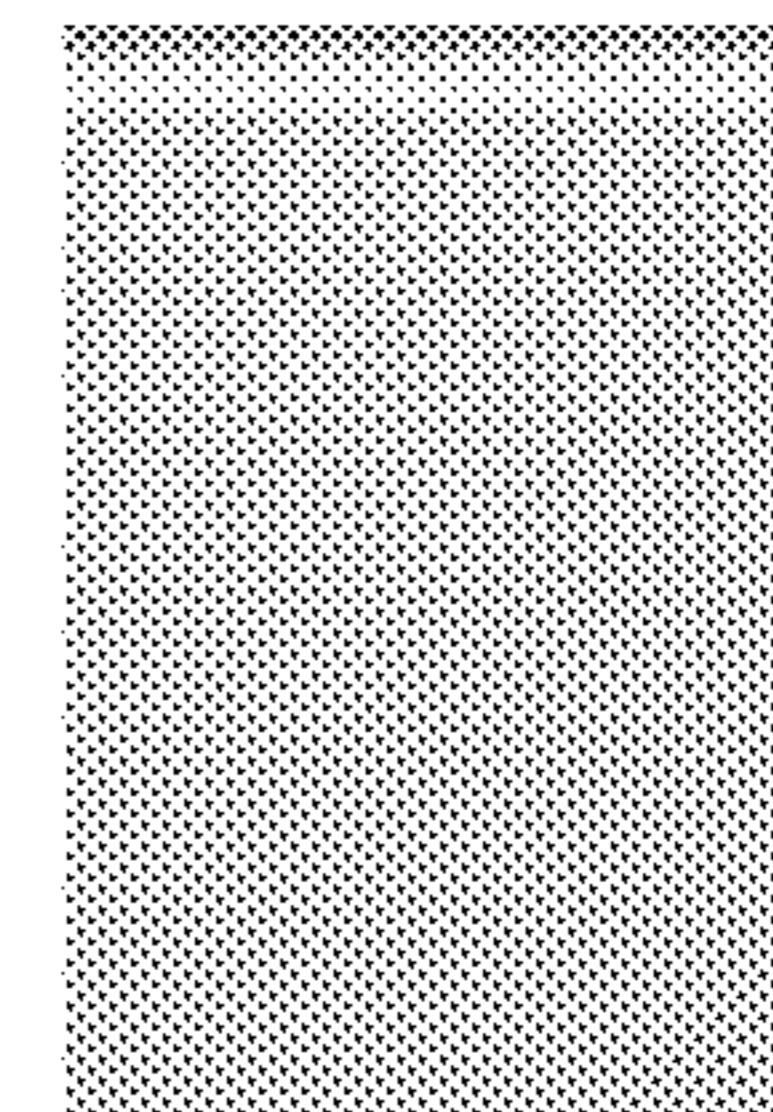


FIG. 4

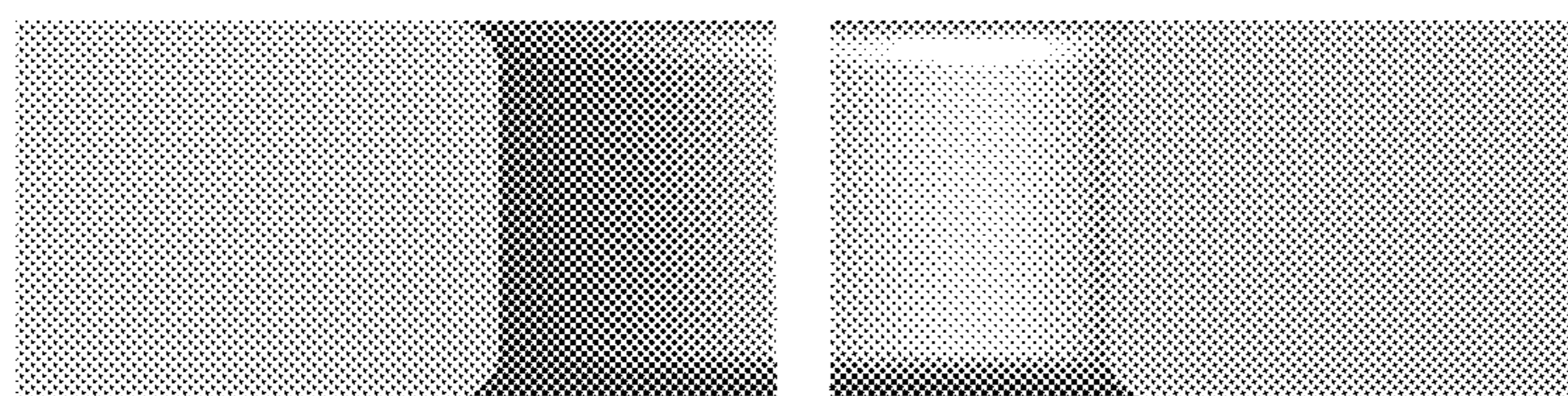


FIG. 5