



US00D840794S

(12) **United States Design Patent** (10) **Patent No.:** **US D840,794 S**  
**Bradshaw et al.** (45) **Date of Patent:** **\*\* Feb. 19, 2019**

(54) **LOAD-MOUNTABLE LIFT EYE**

FOREIGN PATENT DOCUMENTS

(71) Applicant: **MJT Holdings, LLC**, Valdosta, GA (US)

DE 202014102175 U1 7/2014  
EP 0654611 A1 6/1995

(Continued)

(72) Inventors: **Benjie Bradshaw**, Valdosta, GA (US);  
**Patrick Lawrence Giles**, Hahira, GA (US)

OTHER PUBLICATIONS

(73) Assignee: **MJT Holdings, LLC**, Valdosta, GA (US)

International Search Report and Written Opinion in Applicant's co-pending PCT International Patent Application No. PCT/US2017/063331; dated Feb. 13, 2018.

(\*\*) Term: **15 Years**

*Primary Examiner* — Cynthia R Underwood

(21) Appl. No.: **29/627,458**

(74) *Attorney, Agent, or Firm* — Lance M. Pritikin

(22) Filed: **Nov. 27, 2017**

(57) **CLAIM**

(51) **LOC (11) Cl.** ..... **08-05**

The ornamental design for a load-mountable lift eye, as shown and described.

(52) **U.S. Cl.**

USPC ..... **D8/367**

(58) **Field of Classification Search**

USPC ..... D8/367, 354, 349

See application file for complete search history.

**DESCRIPTION**

(56) **References Cited**

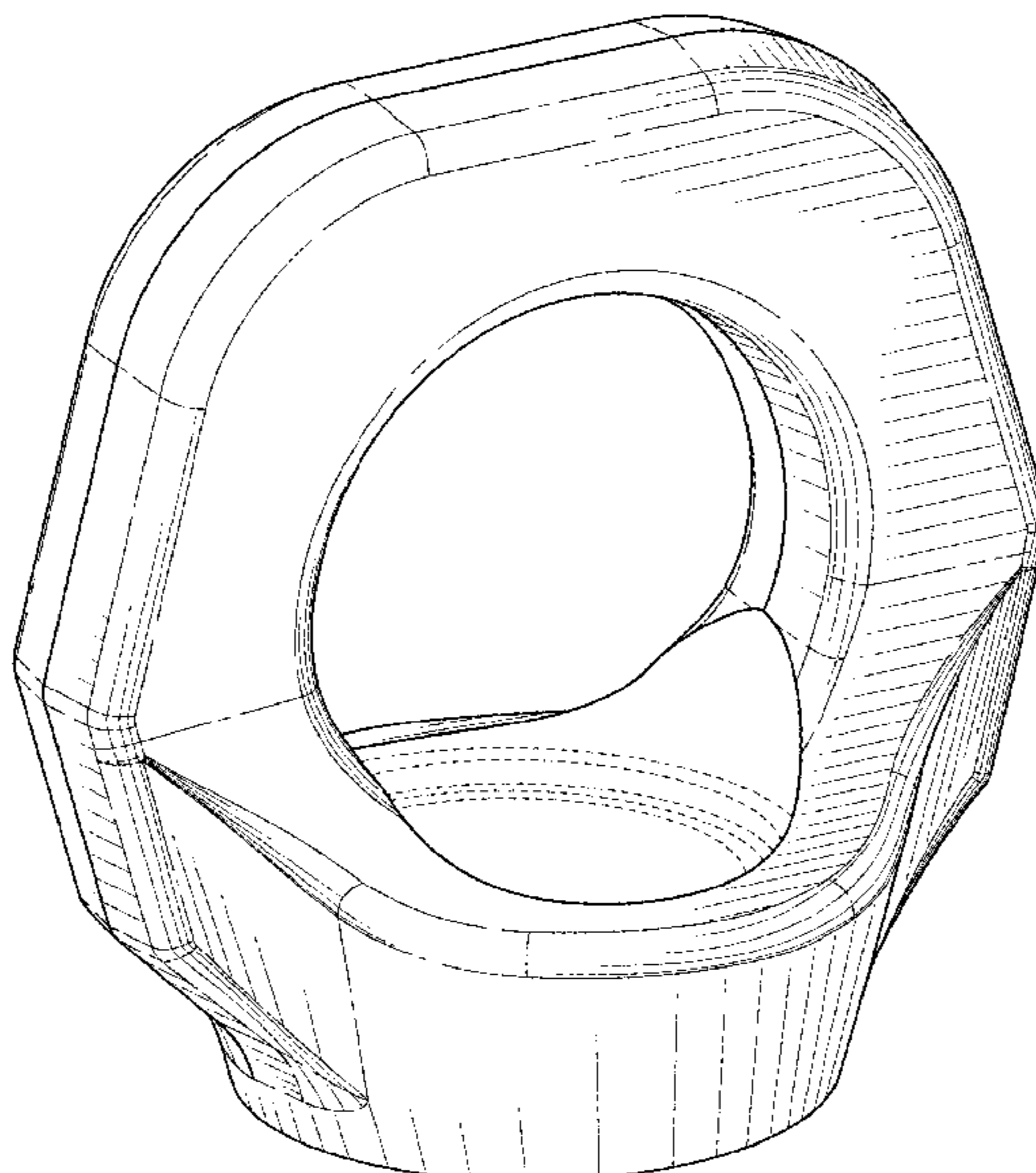
U.S. PATENT DOCUMENTS

D31,861 S *	11/1899	Copeland	.....	D13/132
1,761,978 A	6/1930	Black		
2,748,646 A	6/1956	Harold et al.		
2,867,874 A *	1/1959	Larson	.....	24/115 K
D198,281 S *	5/1964	Mills	.....	D8/356
3,421,726 A *	1/1969	Getter	.....	B60P 7/0807 296/43
3,492,033 A	1/1970	Mueller		
4,068,878 A	1/1978	Wilner		
4,408,941 A *	10/1983	Motz	.....	411/378
4,419,785 A	12/1983	McWhirter		
4,570,987 A	2/1986	Wong et al.		
4,641,986 A	2/1987	Tsui et al.		
4,828,443 A *	5/1989	Simmons	.....	F16B 45/00 248/231.9

(Continued)

FIG. 1 is a top-front perspective view of an ornamental design of a load-mountable lift eye;  
 FIG. 2 is a front elevational view thereof, the rear elevational view being a mirror image of the front elevation view;  
 FIG. 3 is a left side elevational view thereof, the right side elevational view being a mirror image of the left side elevation view;  
 FIG. 4 is a top plan view thereof;  
 FIG. 5 is a bottom plan view thereof;  
 FIG. 6 is a further top-front perspective view thereof, wherein an optional mounting bolt, bushing and retaining ring are illustrated in broken lines and do not form part of the claimed design; and,  
 FIG. 7 is a cross-sectional view thereof taken along line 7-7 of FIG. 6.  
 The broken lines in the Figures represent environmental structure and form no part of the claimed design.

**1 Claim, 6 Drawing Sheets**



(56)

References Cited

U.S. PATENT DOCUMENTS

5,054,982 A 10/1991 Freeman  
 5,125,861 A 6/1992 Freeman  
 D335,077 S \* 4/1993 Haney ..... D8/387  
 D341,127 S \* 11/1993 Sachs ..... D13/149  
 5,439,338 A \* 8/1995 Rosenberg ..... B25B 13/5091  
 411/29  
 5,690,457 A 11/1997 Smetz  
 5,743,678 A \* 4/1998 Pitre ..... E21D 11/006  
 405/259.1  
 5,865,416 A \* 2/1999 Hanaway ..... 248/551  
 D413,509 S \* 9/1999 Robertson ..... D8/387  
 D413,791 S \* 9/1999 May ..... D3/387  
 D417,139 S \* 11/1999 Pitre ..... D8/387  
 5,992,910 A \* 11/1999 Kwon ..... 294/215  
 6,039,500 A 3/2000 Kwon  
 6,267,422 B1 7/2001 Alba  
 6,478,350 B2 11/2002 Zuliani

6,994,501 B2 2/2006 Smetz  
 D573,877 S \* 7/2008 Vautour ..... D8/387  
 7,393,033 B1 7/2008 Bisso, IV  
 D605,500 S \* 12/2009 Lee ..... D8/387  
 D612,713 S \* 3/2010 Konecnik ..... D8/387  
 7,783,519 B2 8/2010 Alba  
 D638,695 S \* 5/2011 Woodrow et al. .... D8/382  
 D700,504 S \* 3/2014 Blocker ..... D8/367  
 8,757,693 B2 6/2014 Fuller et al.  
 D742,724 S 11/2015 Smetz  
 9,188,151 B2 11/2015 Ivanic et al.  
 9,193,570 B2 11/2015 Norpoth  
 2003/0180118 A1 \* 9/2003 Alba et al. .... 411/400

FOREIGN PATENT DOCUMENTS

EP 2495459 A1 9/2012  
 FR 2880084 A1 6/2006  
 WO 2015014346 A1 2/2015

\* cited by examiner

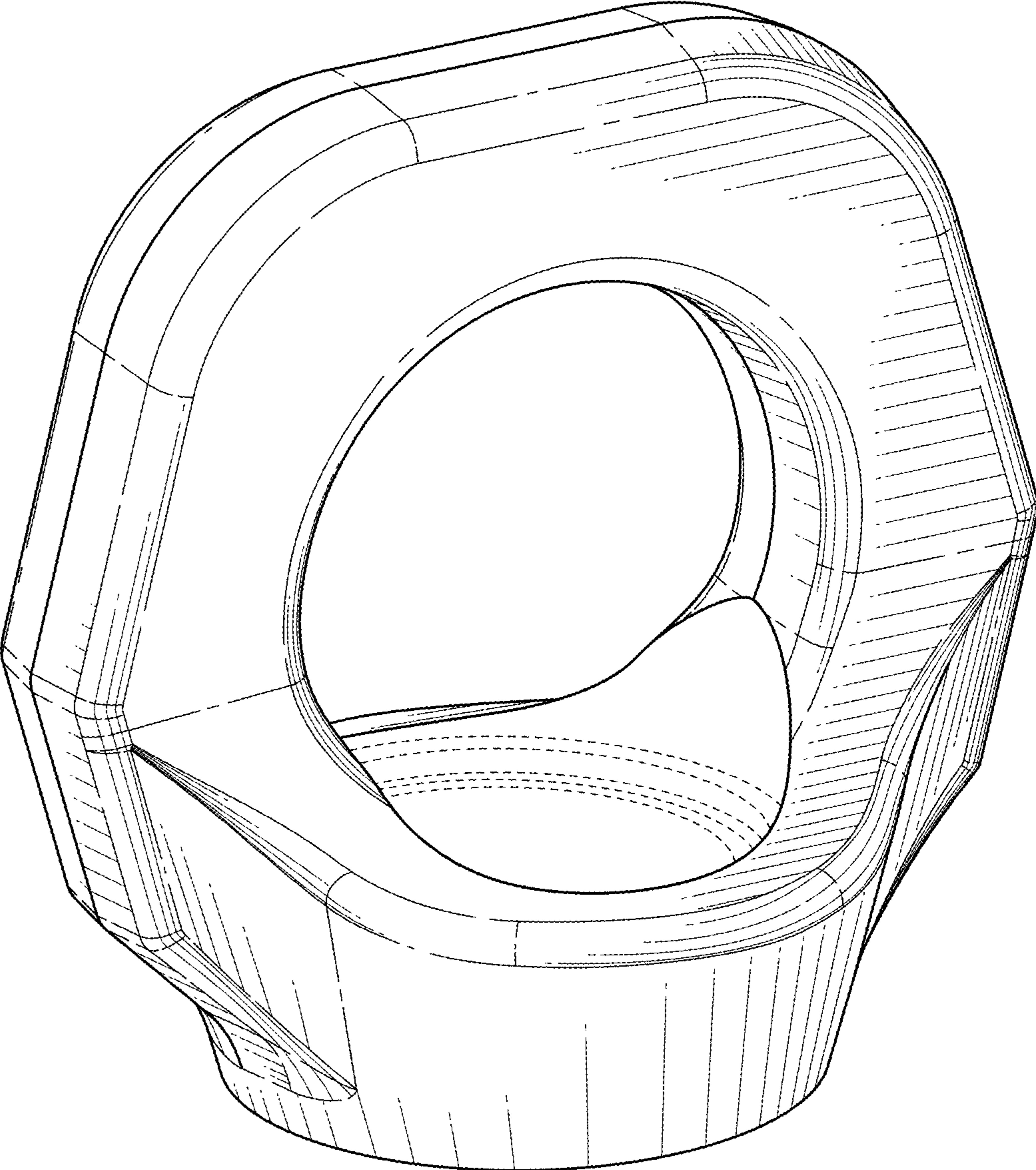


FIG. 1

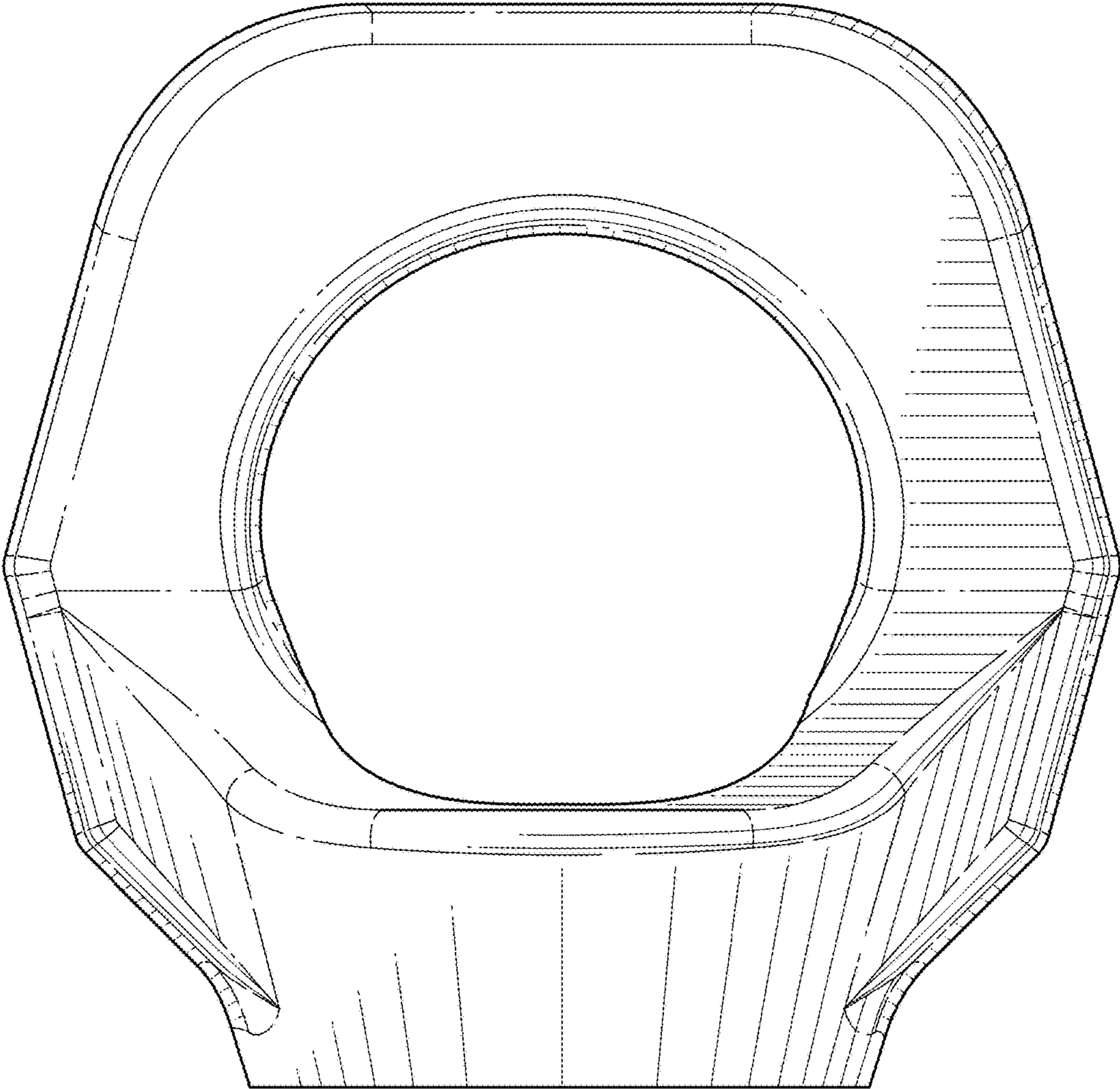


FIG. 2

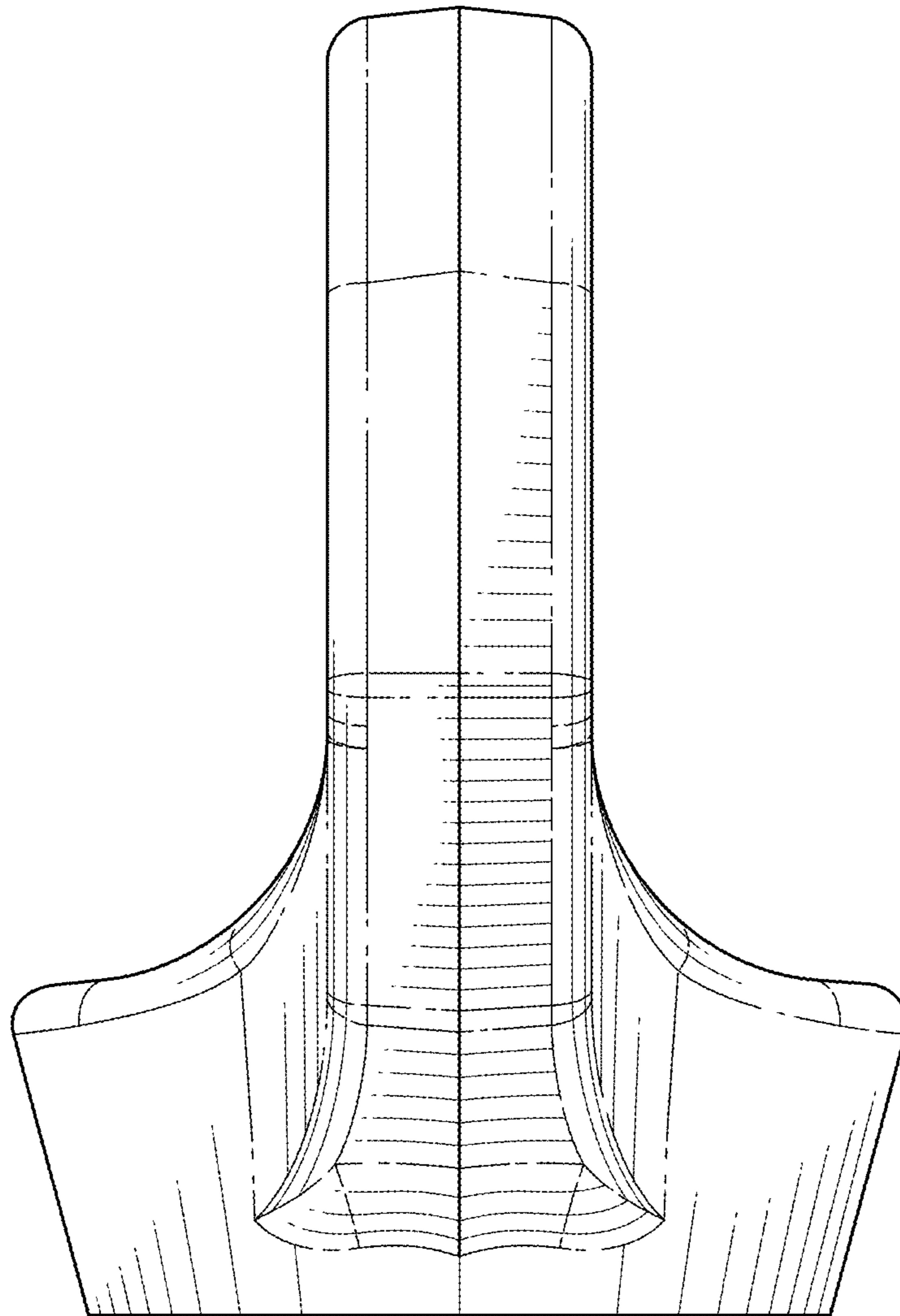


FIG. 3

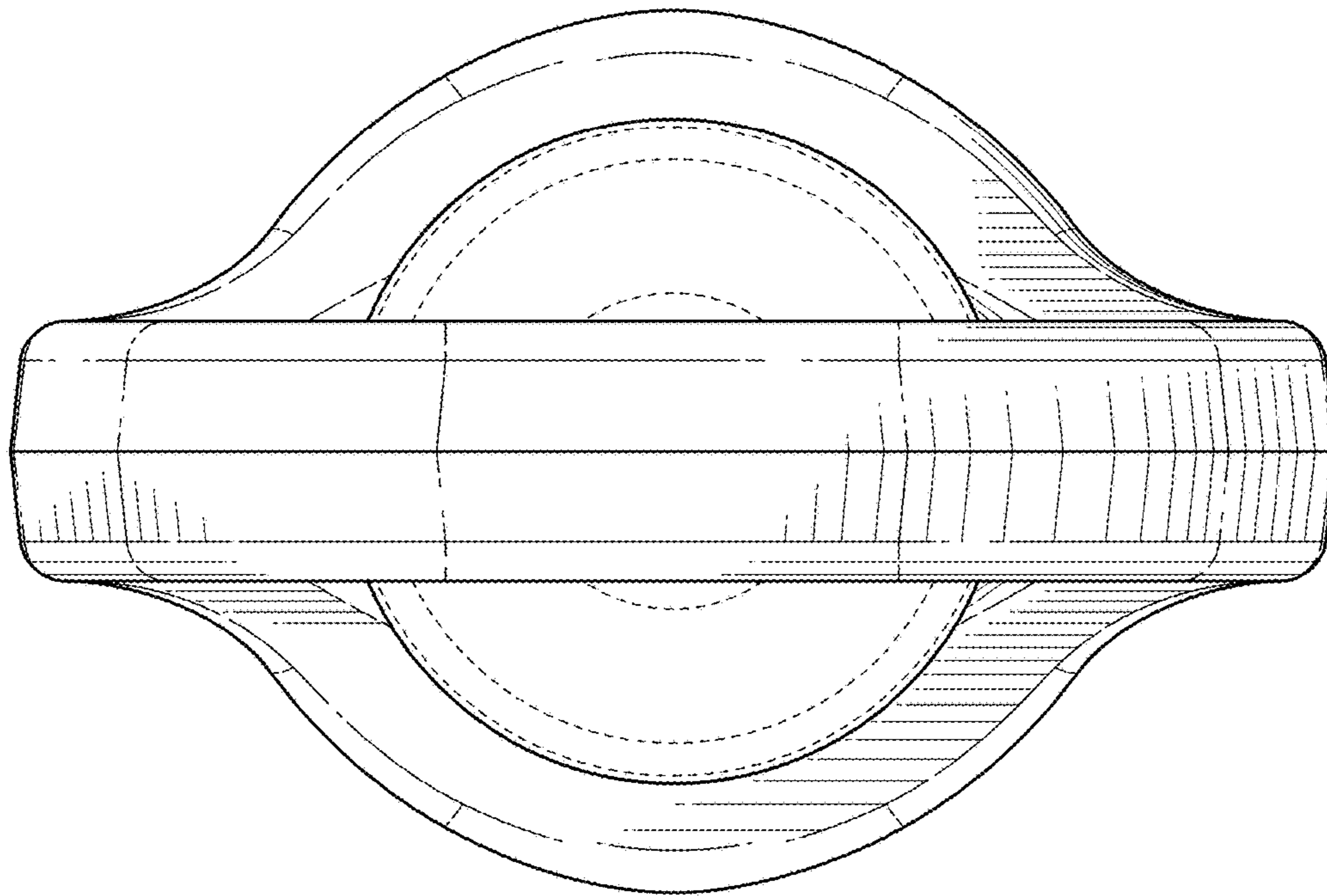


FIG. 4

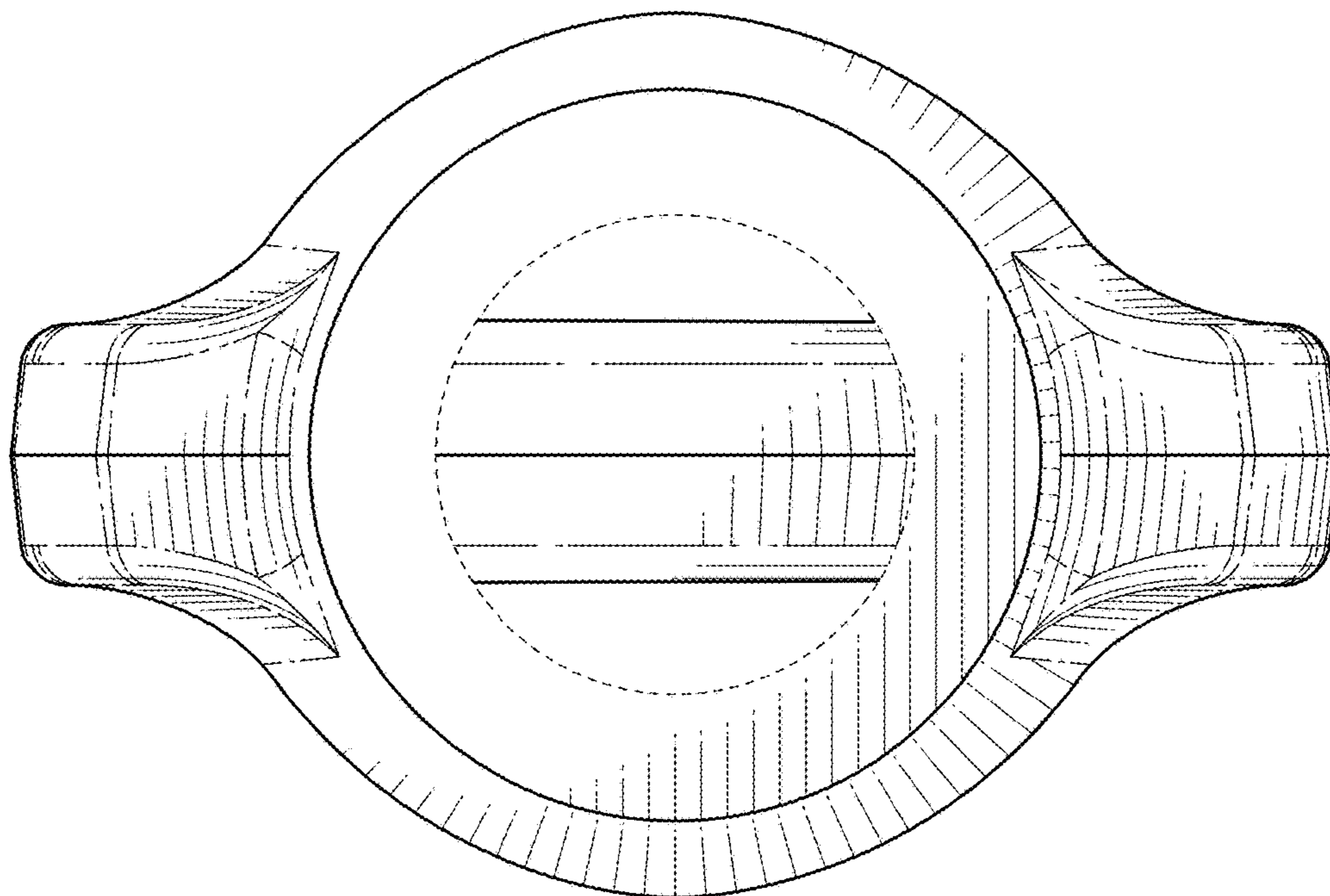


FIG. 5

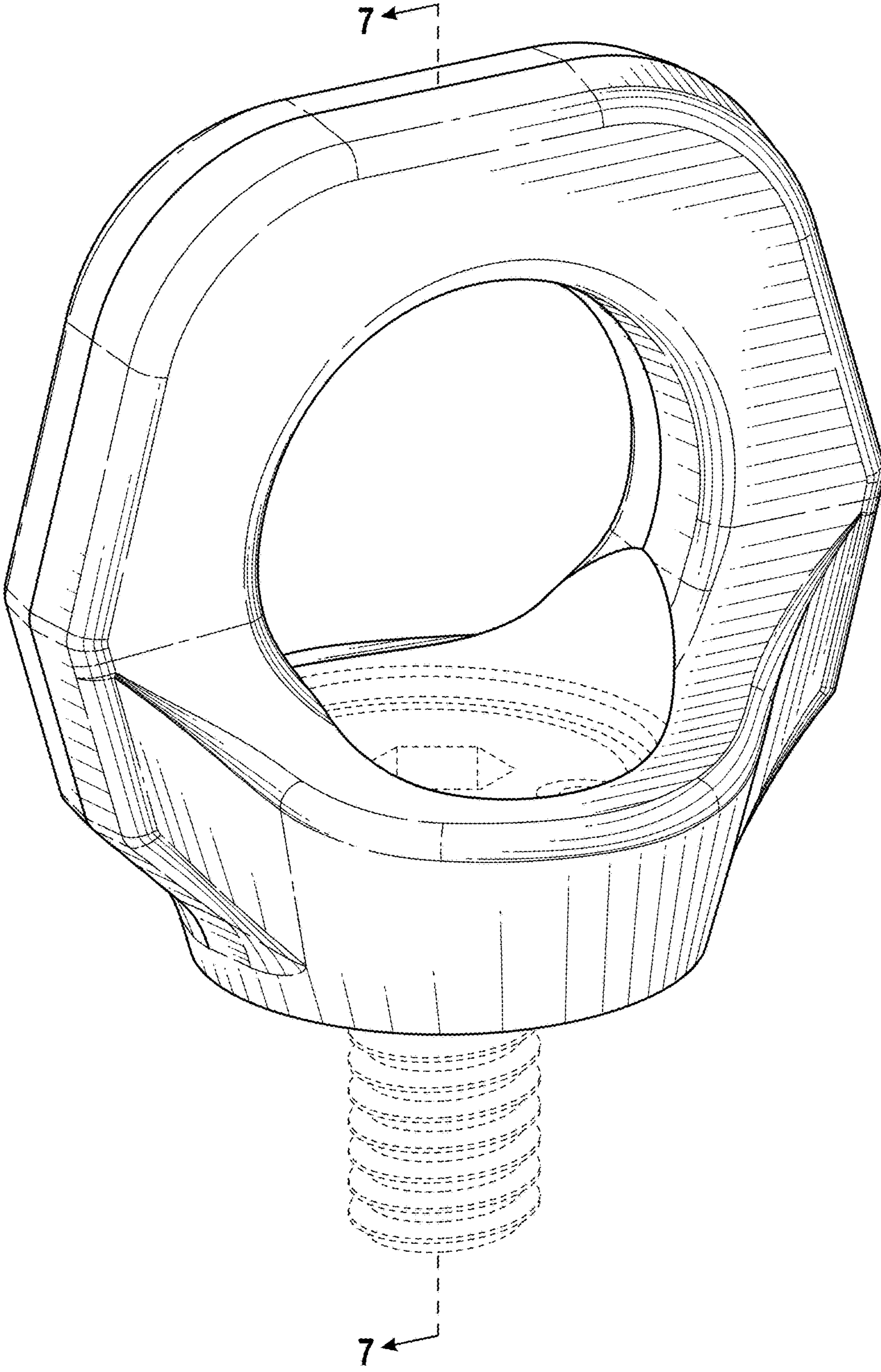


FIG. 6

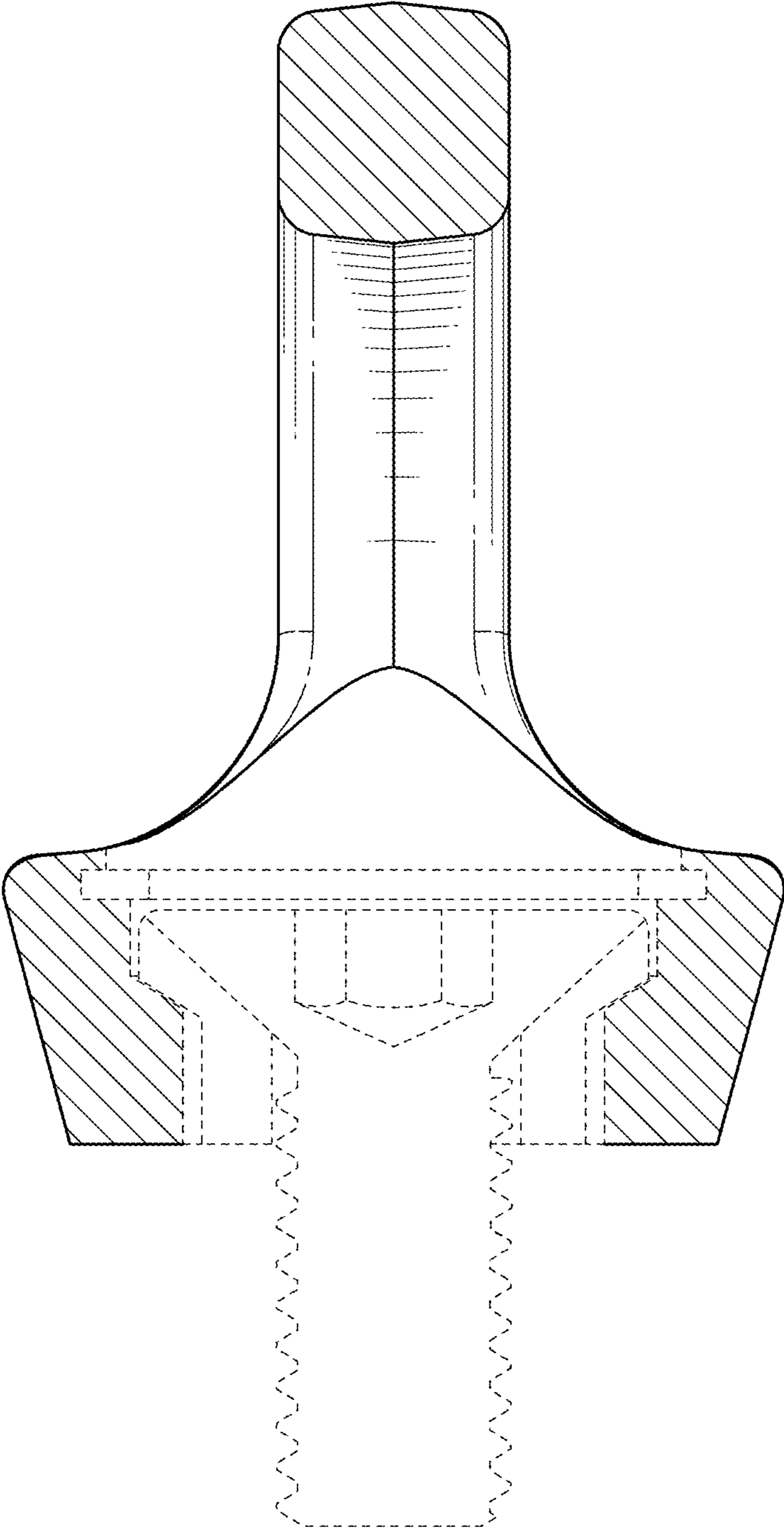


FIG. 7