



US00D840793S

(12) **United States Design Patent**
Hattori

(10) **Patent No.:** **US D840,793 S**

(45) **Date of Patent:** **** Feb. 19, 2019**

(54) **HANGER FOR SMALL ARTICLES**

(71) Applicant: **SUGATSUNE KOGYO CO., LTD.**,
Chiyoda-ku, Tokyo (JP)

(72) Inventor: **Rika Hattori**, Chiyoda-ku (JP)

(73) Assignee: **SUGATSUNE KOGYO CO., LTD.**,
Tokyo (JP)

(**) Term: **15 Years**

(21) Appl. No.: **29/619,367**

(22) Filed: **Sep. 28, 2017**

(30) **Foreign Application Priority Data**

Mar. 29, 2017 (JP) 2017-006454

(51) **LOC (11) Cl.** **08-05**

(52) **U.S. Cl.**
USPC **D8/367**

(58) **Field of Classification Search**
USPC D8/367, 354, 349, 373; D6/323;
248/301-304, 339
CPC A47G 1/17; A47G 1/22; A47G 25/0607
See application file for complete search history.

(56) **References Cited**

U.S. PATENT DOCUMENTS

- 1,601,160 A * 9/1926 Busch E05B 1/0015
16/417
- D79,773 S * 10/1929 Warner et al. D6/323
- 1,755,301 A * 4/1930 McCullough E05B 1/0015
16/417
- 2,275,007 A * 3/1942 Caestecker A47G 25/0607
248/205.1
- D144,010 S * 2/1946 Van Doren D6/323
- D281,838 S * 12/1985 Thompson D6/323
- D304,545 S * 11/1989 Hurrelbrink D8/373
- D318,904 S * 8/1991 Hartkopf D23/252

- D389,326 S * 1/1998 Moore D6/323
- D397,256 S * 8/1998 Moore D6/323
- 6,126,126 A * 10/2000 McKiernan, Jr. A47G 1/22
248/217.3
- D442,073 S * 5/2001 Lyndon D6/323
- D448,654 S * 10/2001 Snell D8/367
- D455,948 S * 4/2002 Zetsche D6/523
- D488,943 S * 4/2004 Bates D6/524
- D489,250 S * 5/2004 Graves D8/367
- D505,274 S * 5/2005 Lai D6/323
- D505,613 S * 5/2005 Sato D8/367
- D510,014 S * 9/2005 Sung D8/367
- D543,709 S * 6/2007 Krumpe D6/323
- D548,983 S * 8/2007 Krumpe D6/323
- D550,546 S * 9/2007 Sato D8/373
- D555,365 S * 11/2007 Berberet D6/323
- D609,515 S * 2/2010 Krumpe D6/524

(Continued)

Primary Examiner — Cynthia R Underwood

(74) *Attorney, Agent, or Firm* — Masuvalley & Partners

(57) **CLAIM**

The ornamental design for a hanger for small articles, as shown and described.

DESCRIPTION

FIG. 1 is a perspective view of the hanger for small articles according to the invention.

FIG. 2 is a front view of the hanger for small articles of FIG. 1, the rear view being a mirror image thereof.

FIG. 3 is a plan view of the hanger for small articles of FIG. 1.

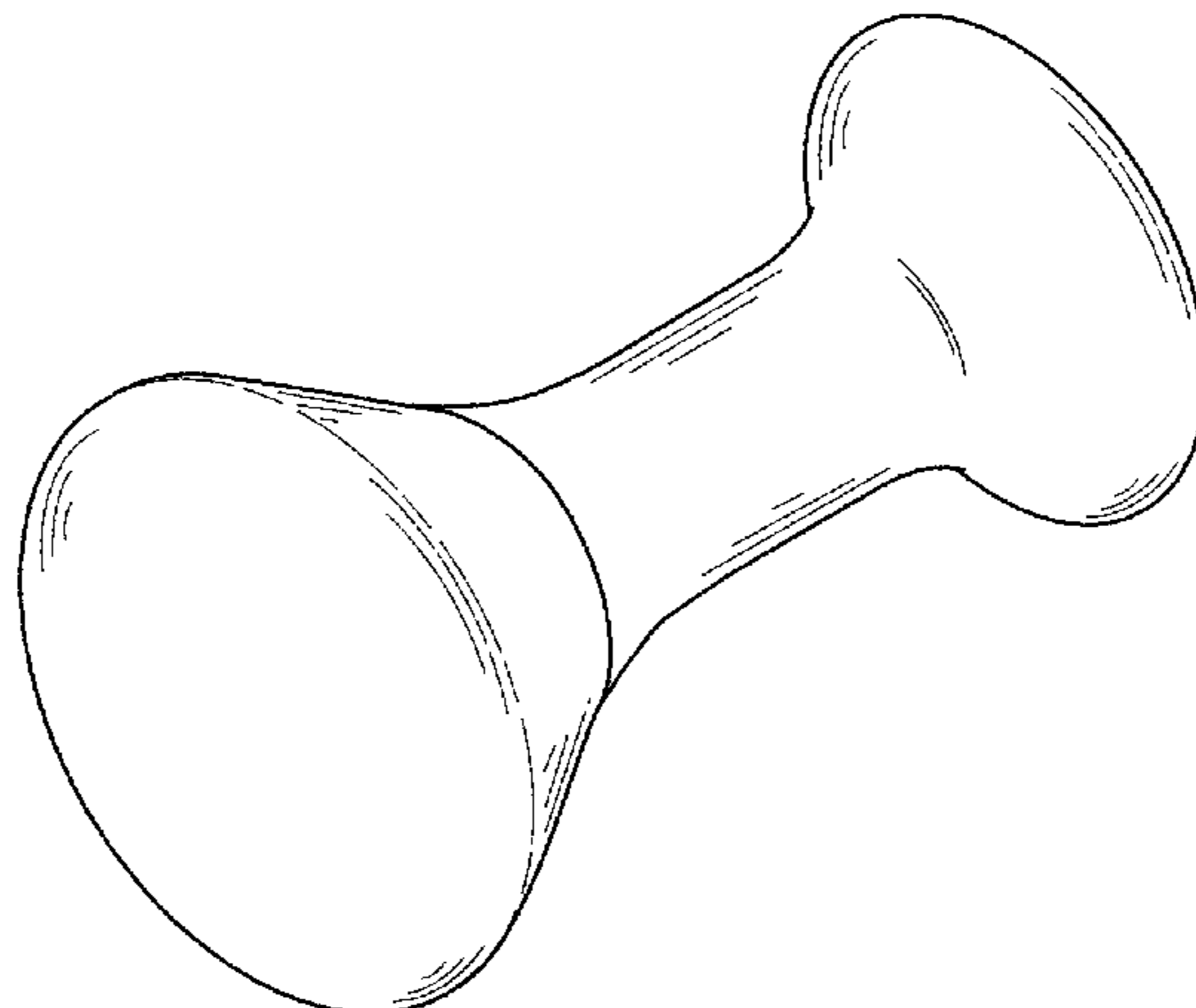
FIG. 4 is a bottom view of the hanger for small articles of FIG. 1.

FIG. 5 is a left side view of the hanger for small articles of FIG. 1; and,

FIG. 6 is a right side view of the hanger for small articles of FIG. 1.

The broken lines represent portions of the hanger for small articles that form no part of the claim.

1 Claim, 6 Drawing Sheets



(56)

References Cited

U.S. PATENT DOCUMENTS

D637,823	S *	5/2011	Sakuma	D6/320
D641,229	S *	7/2011	Qiblawi	D8/367
D680,783	S *	4/2013	Chang	D6/550
D699,970	S *	2/2014	Sedwick	D6/524
8,740,171	B2 *	6/2014	Crescenzo	A47G 1/17 248/475.1
D720,986	S *	1/2015	Citterio	D3/260
D746,664	S *	1/2016	Najieb	D23/411
D750,390	S *	3/2016	Bahler	D6/323
D759,469	S *	6/2016	Garland	D8/367
D769,702	S *	10/2016	Kuniyoshi	D8/367
D772,043	S *	11/2016	Forrest	D8/367
D799,944	S *	10/2017	Sullivan	D8/367
D803,033	S *	11/2017	Tsai	D8/367
D827,422	S *	9/2018	Kundig	D8/382

* cited by examiner

FIG. 1

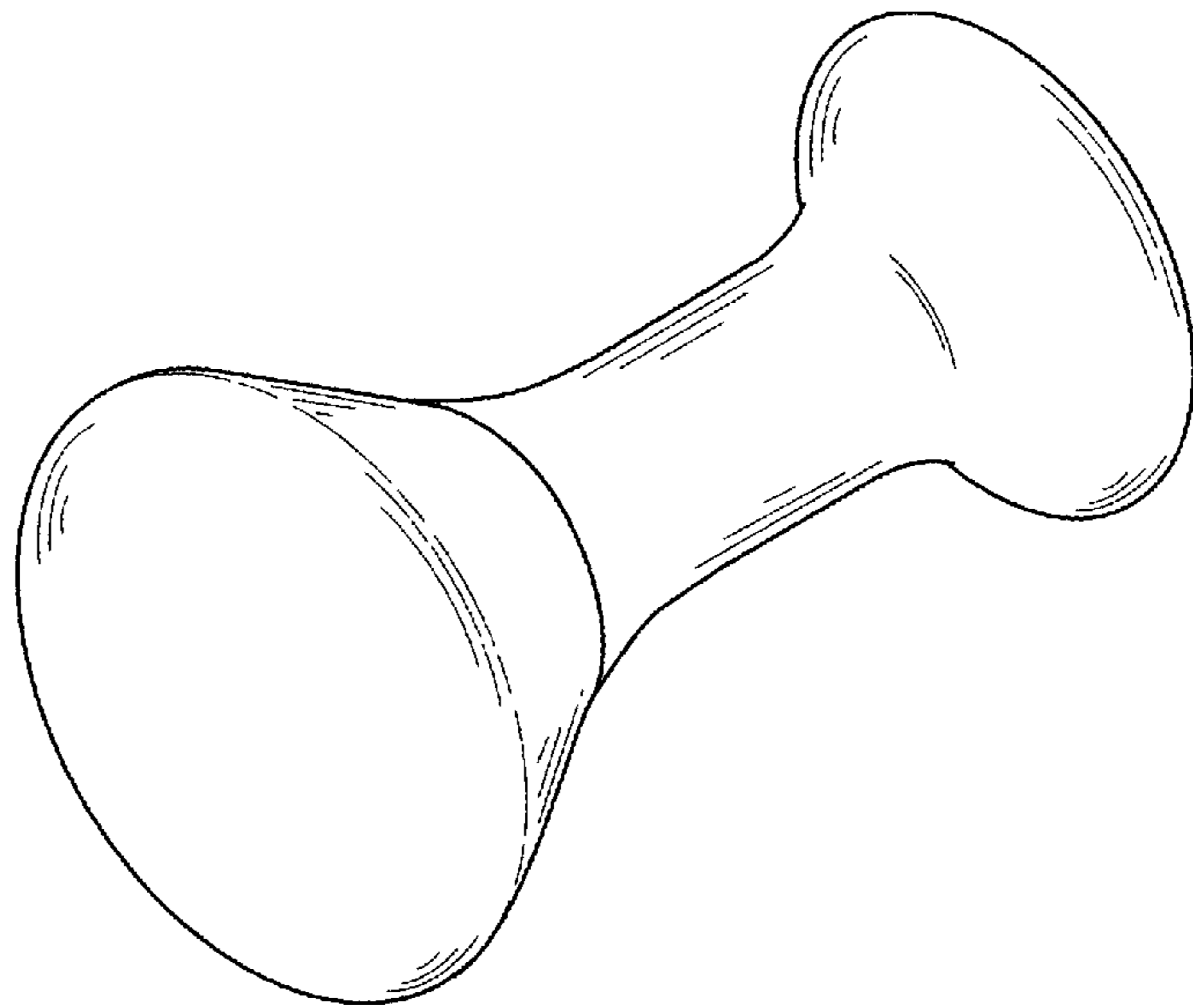


FIG. 2

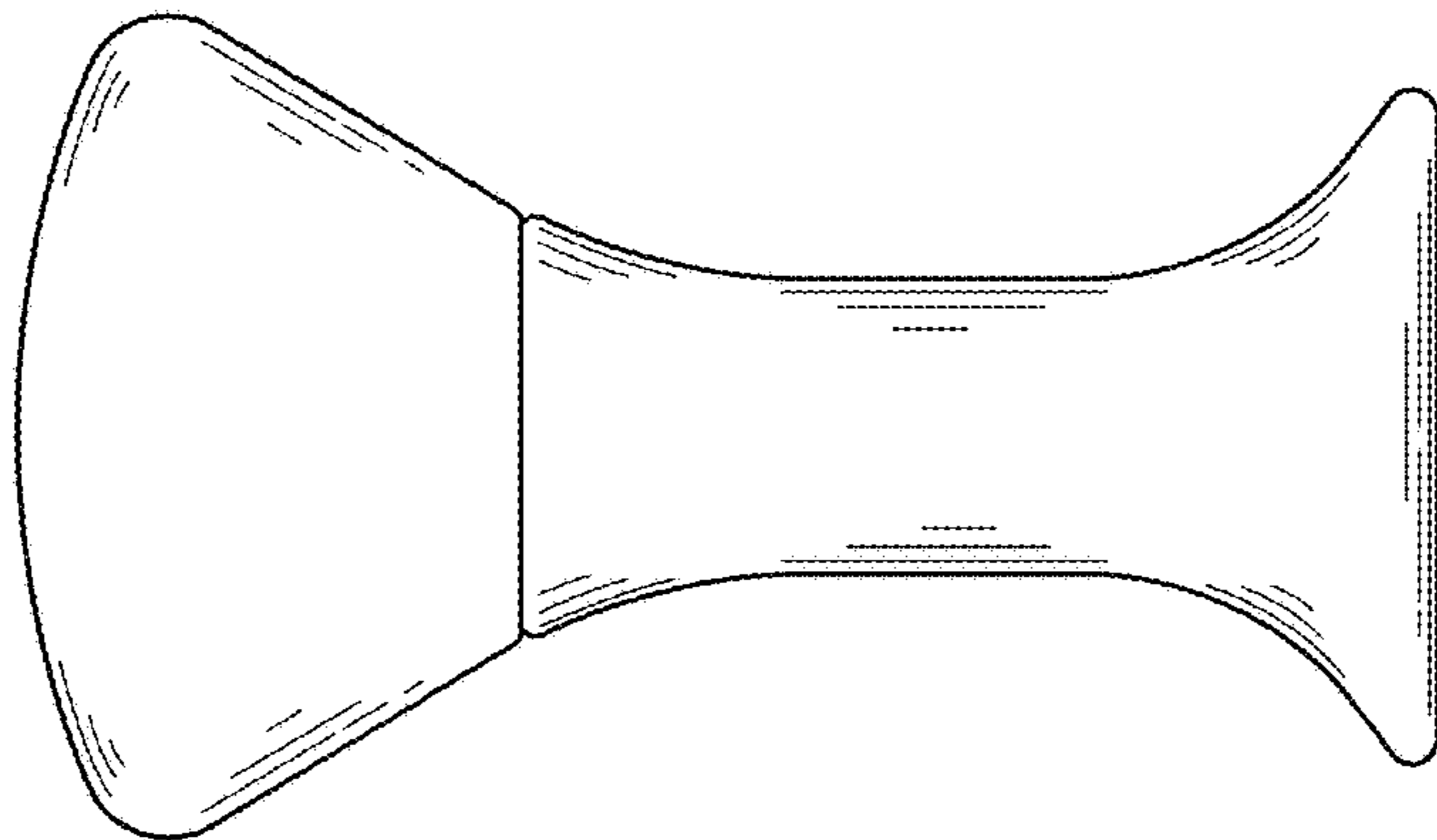


FIG. 3

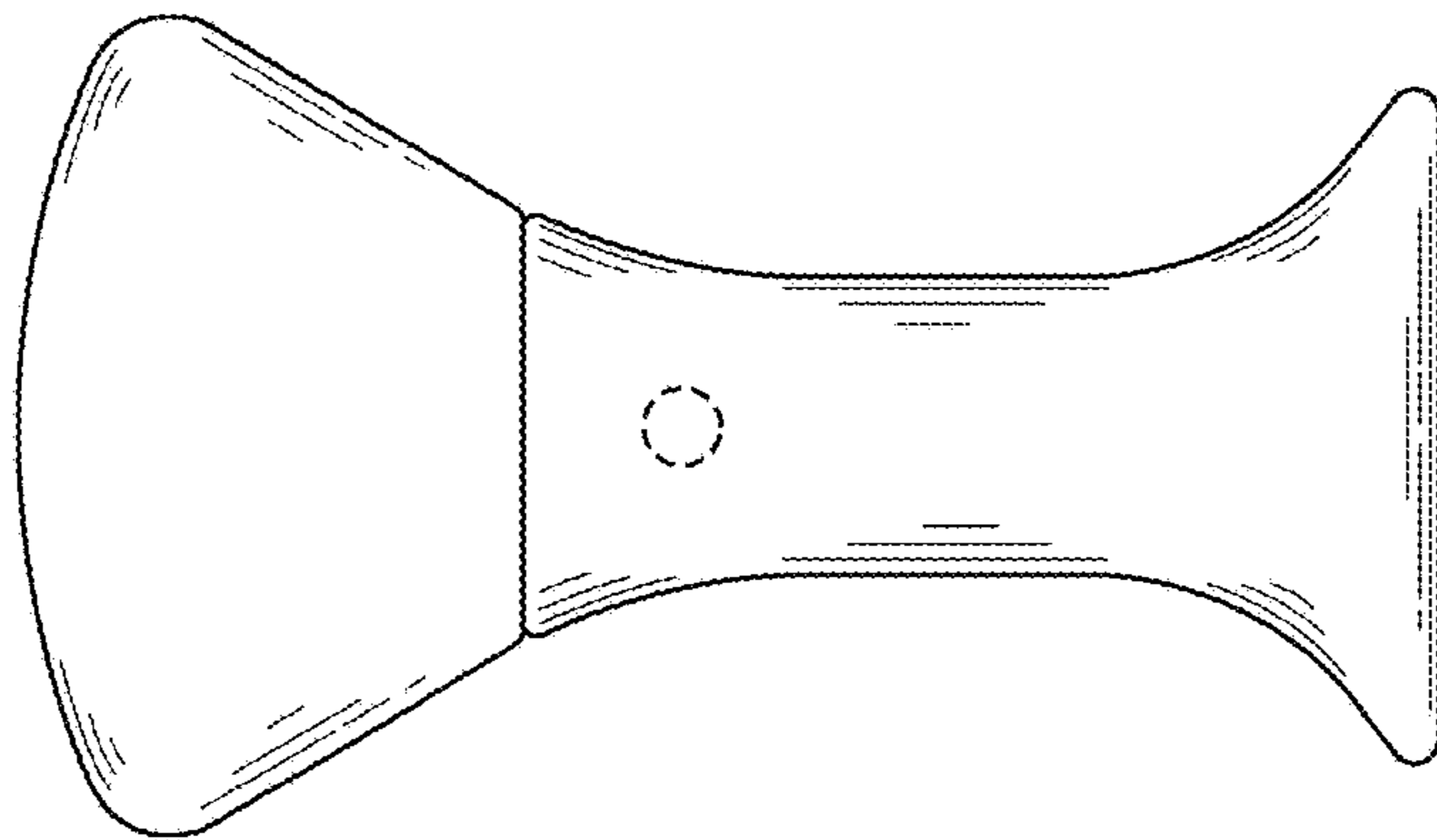


FIG. 4

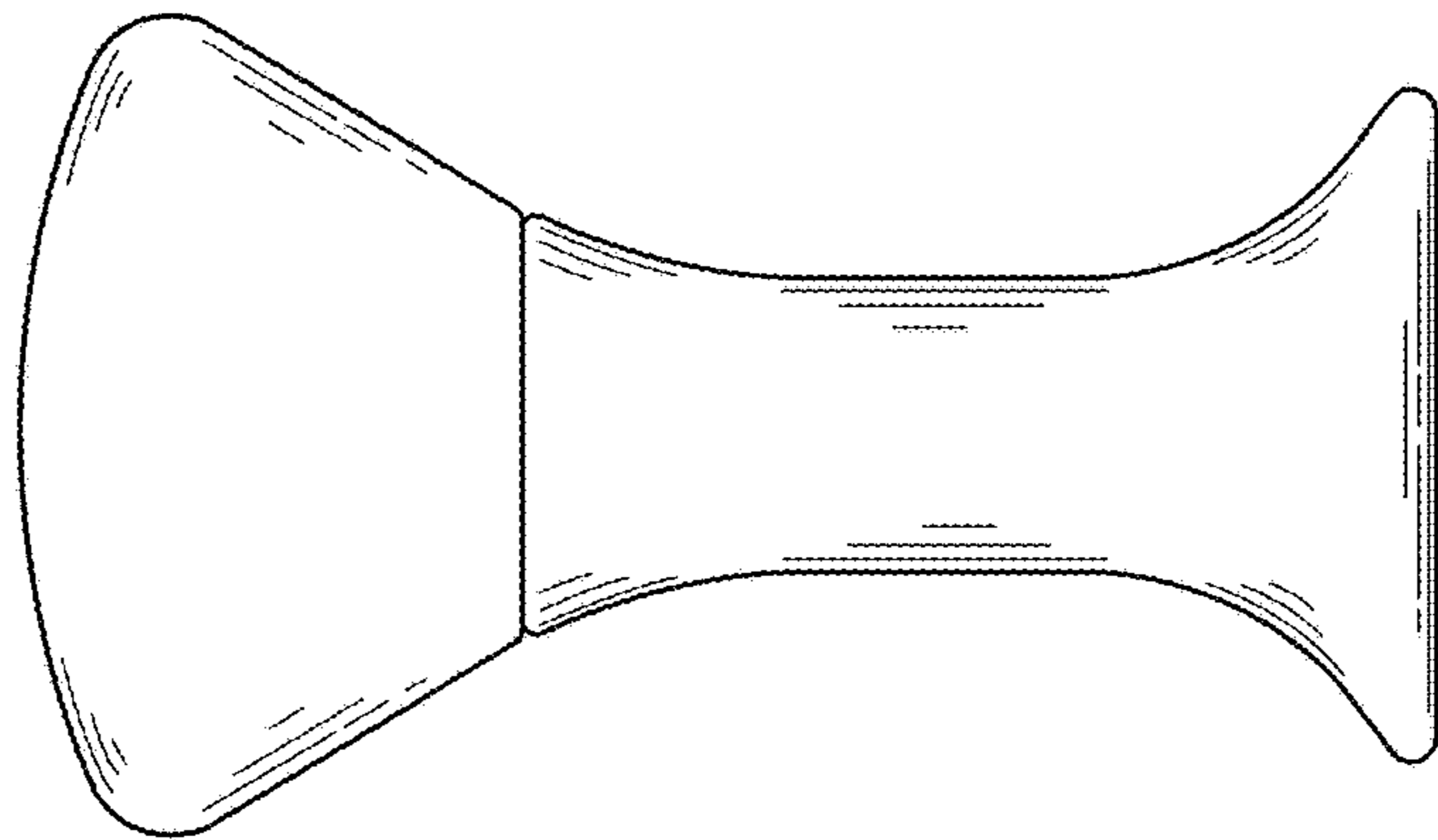


FIG. 5

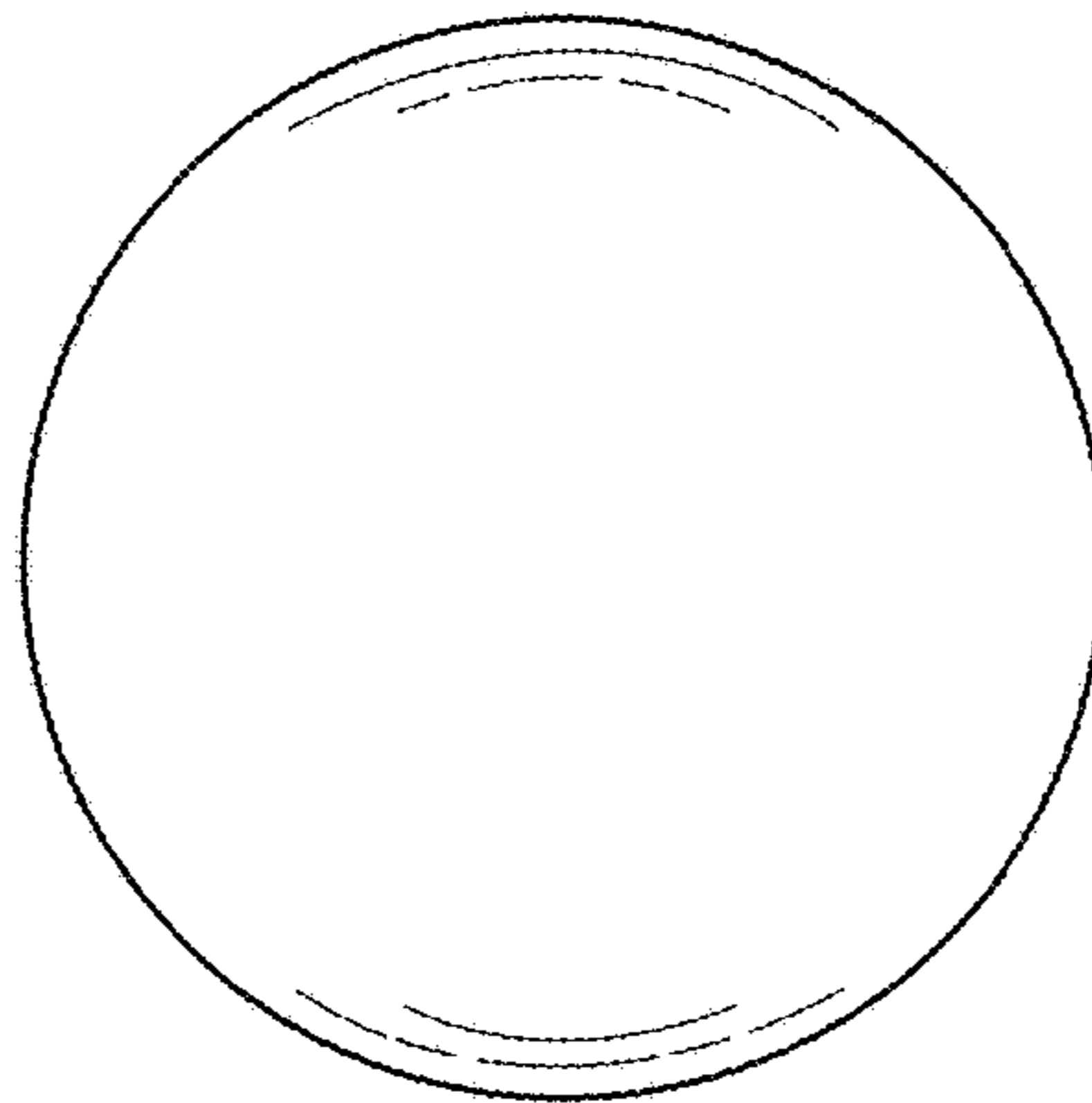


FIG. 6

