



US00D840789S

(12) **United States Design Patent** (10) **Patent No.:** **US D840,789 S**  
**Chen** (45) **Date of Patent:** **\*\* Feb. 19, 2019**

(54) **ELASTIC CABLE HOLDER**  
(71) Applicant: **Kevin F. Chen**, Irvine, CA (US)  
(72) Inventor: **Kevin F. Chen**, Irvine, CA (US)  
(\*\*) Term: **15 Years**  
(21) Appl. No.: **29/659,944**  
(22) Filed: **Aug. 14, 2018**

D665,292 S \* 8/2012 Jackson ..... D11/1  
8,763,213 B2 \* 7/2014 Burdett ..... B60P 7/0823  
24/300  
D710,679 S \* 8/2014 Miller ..... D8/356  
D791,582 S \* 7/2017 Nelson ..... D8/356  
D811,859 S \* 3/2018 Orser ..... D8/356  
D825,487 S \* 8/2018 Munson ..... D13/155

\* cited by examiner

*Primary Examiner* — Cynthia R Underwood  
(74) *Attorney, Agent, or Firm* — Quickpatents, LLC;  
Kevin Prince

**Related U.S. Application Data**

(62) Division of application No. 29/587,501, filed on Dec. 13, 2016.  
(51) **LOC (11) Cl.** ..... **09-06**  
(52) **U.S. Cl.**  
USPC ..... **D8/356**  
(58) **Field of Classification Search**  
USPC ..... D8/356, 354; 381/384  
CPC ..... E02D 5/803; B63B 21/045; B63B 59/02;  
B60D 1/18; B60P 7/0823; A44B 13/0029;  
Y10T 24/3918  
See application file for complete search history.

(57) **CLAIM**

I claim the ornamental design for an elastic cable holder, as shown and described.

**DESCRIPTION**

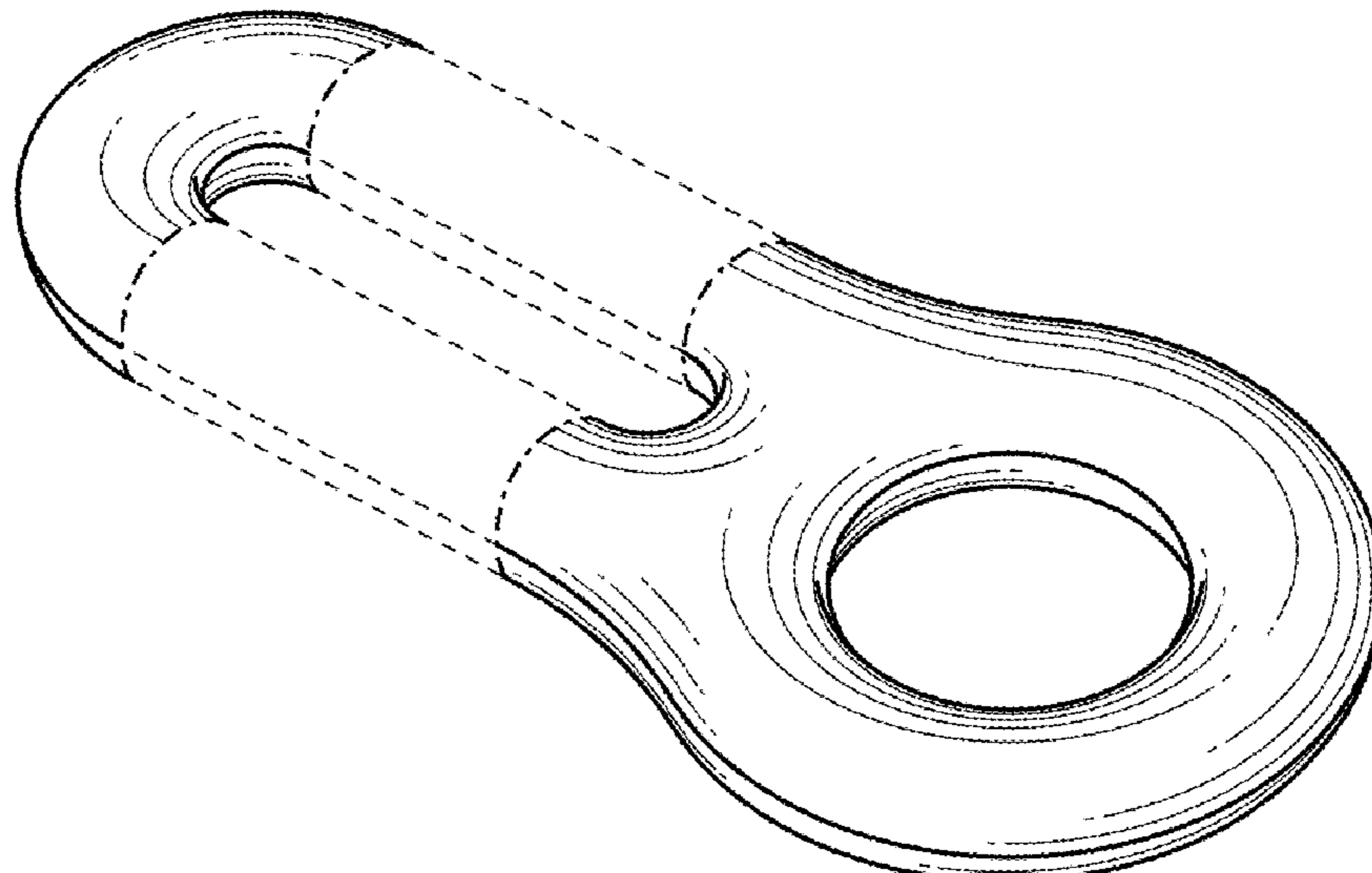
FIG. 1 is a perspective view of an elastic cable holder, showing a first embodiment of my new design; FIG. 2 is a front elevational view of FIG. 1, the rear elevational view being a mirror image thereof; FIG. 3 is a left-side elevational view of FIG. 1, the right-side elevational view being a mirror image thereof; FIG. 4 is a top plan view of FIG. 1; FIG. 5 is a bottom plan view of FIG. 1; FIG. 6 is a perspective view of a second embodiment thereof; FIG. 7 is a front elevational view of FIG. 6, the rear elevational view being a mirror image thereof; FIG. 8 is a left-side elevational view of FIG. 6, the right-side elevational view being a mirror image thereof; FIG. 9 is a top plan view of FIG. 6; and, FIG. 10 is a bottom plan view of FIG. 6. The broken lines showing cords in FIG. 6 depict environmental matter and form no part of the claimed design. The remaining broken lines represent portions of the cable holder that form no part of the claimed design.

(56) **References Cited**

**U.S. PATENT DOCUMENTS**

1,945,932 A \* 2/1934 Caley ..... A45D 2/18  
132/247  
4,227,668 A \* 10/1980 Ernst ..... A22C 15/002  
24/16 PB  
D325,802 S \* 4/1992 Peterson ..... D34/35  
6,487,760 B1 \* 12/2002 Larsen ..... A47G 25/1478  
24/598.4  
D518,118 S \* 3/2006 Orr ..... D21/573  
D520,080 S \* 5/2006 Orr ..... D21/573  
7,404,238 B2 \* 7/2008 McNeill ..... B65D 63/1027  
24/16 PB  
D612,895 S \* 3/2010 Stein ..... D21/573  
D628,348 S \* 11/2010 Chao ..... D30/145  
D641,708 S \* 7/2011 Yamauchi ..... D13/154

**1 Claim, 3 Drawing Sheets**



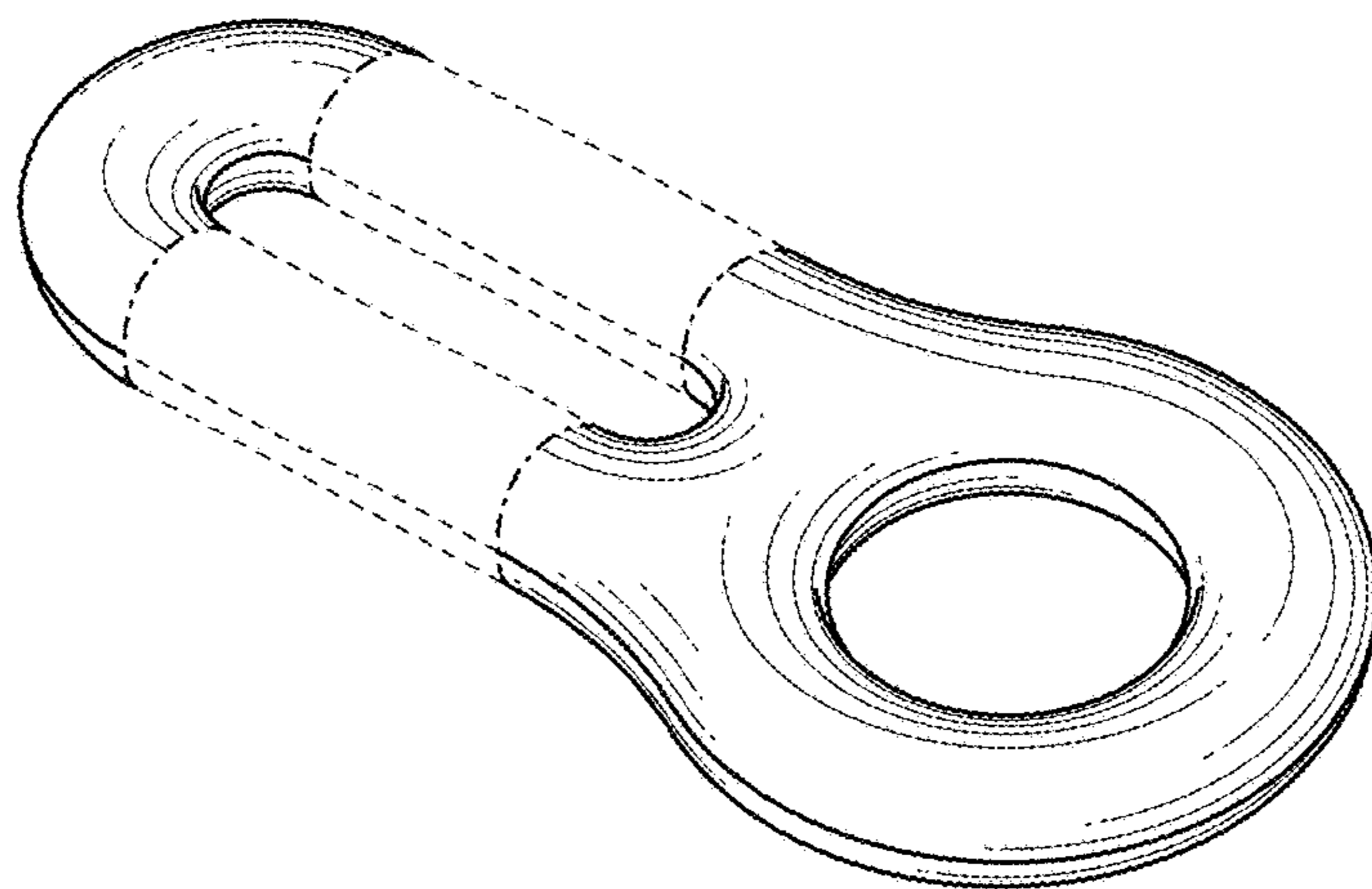


FIG. 1

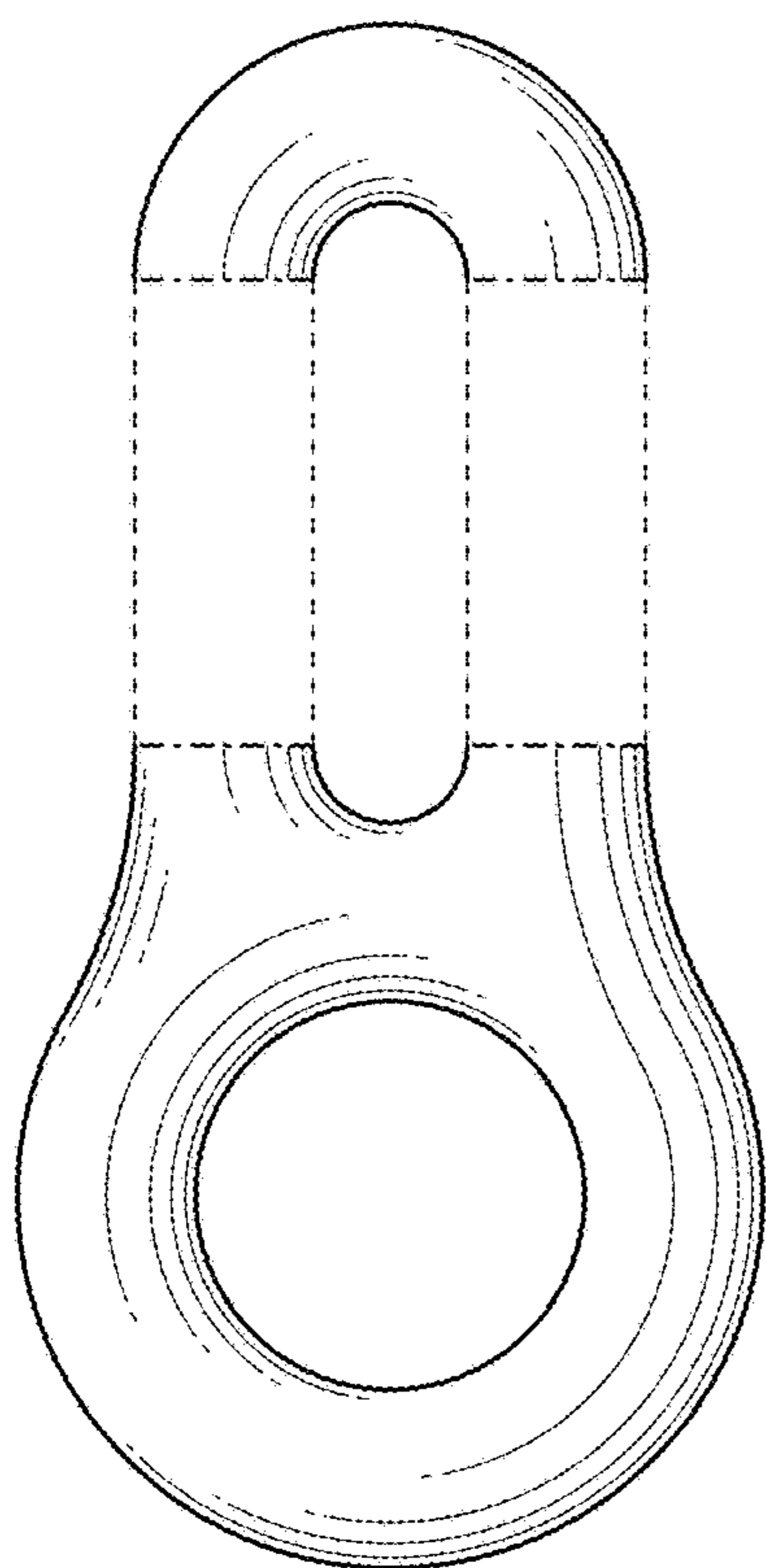


FIG. 2



FIG. 3



FIG. 4

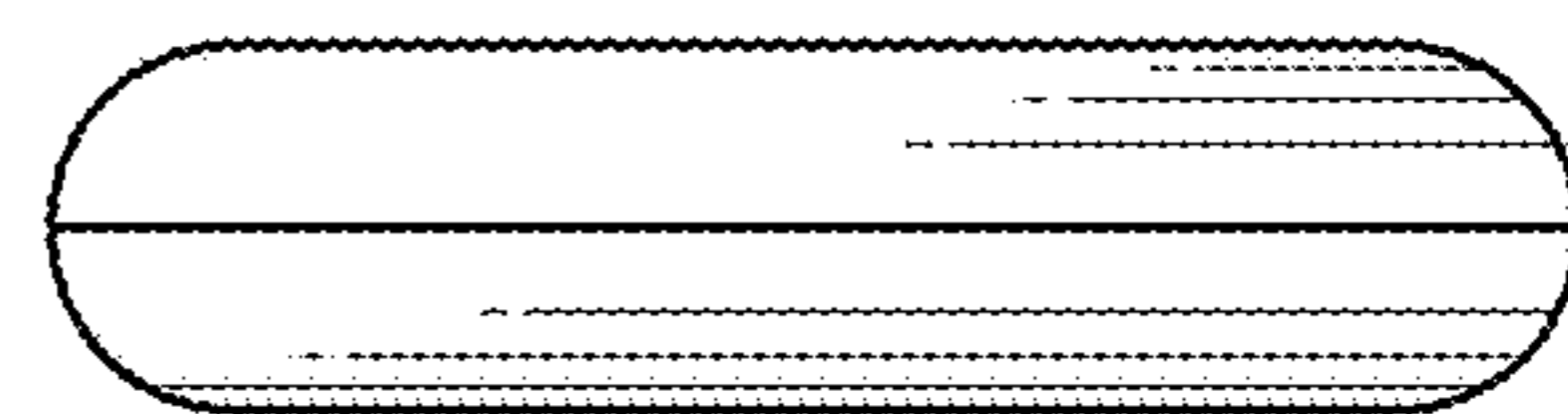
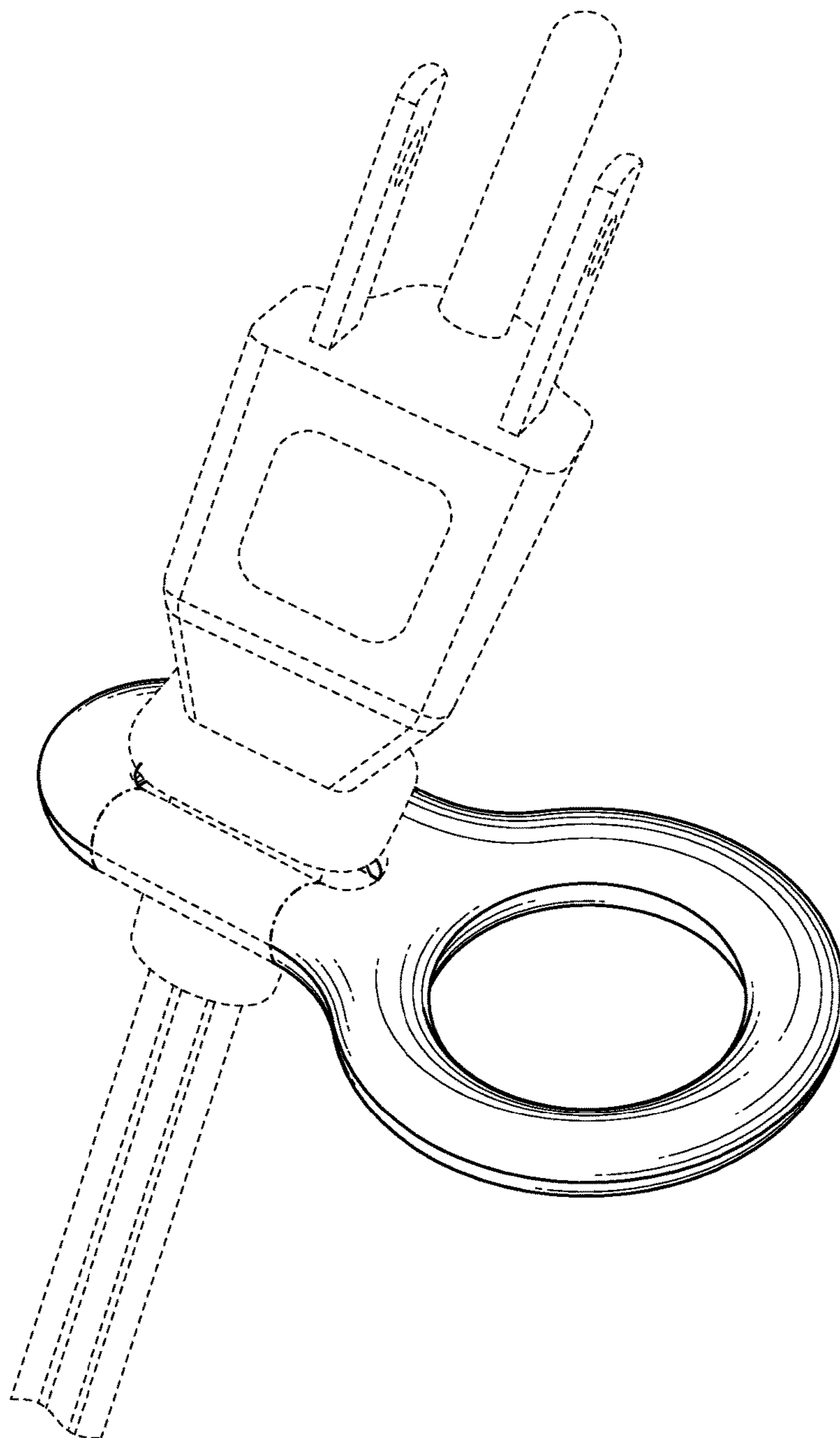


FIG. 5



**FIG. 6**

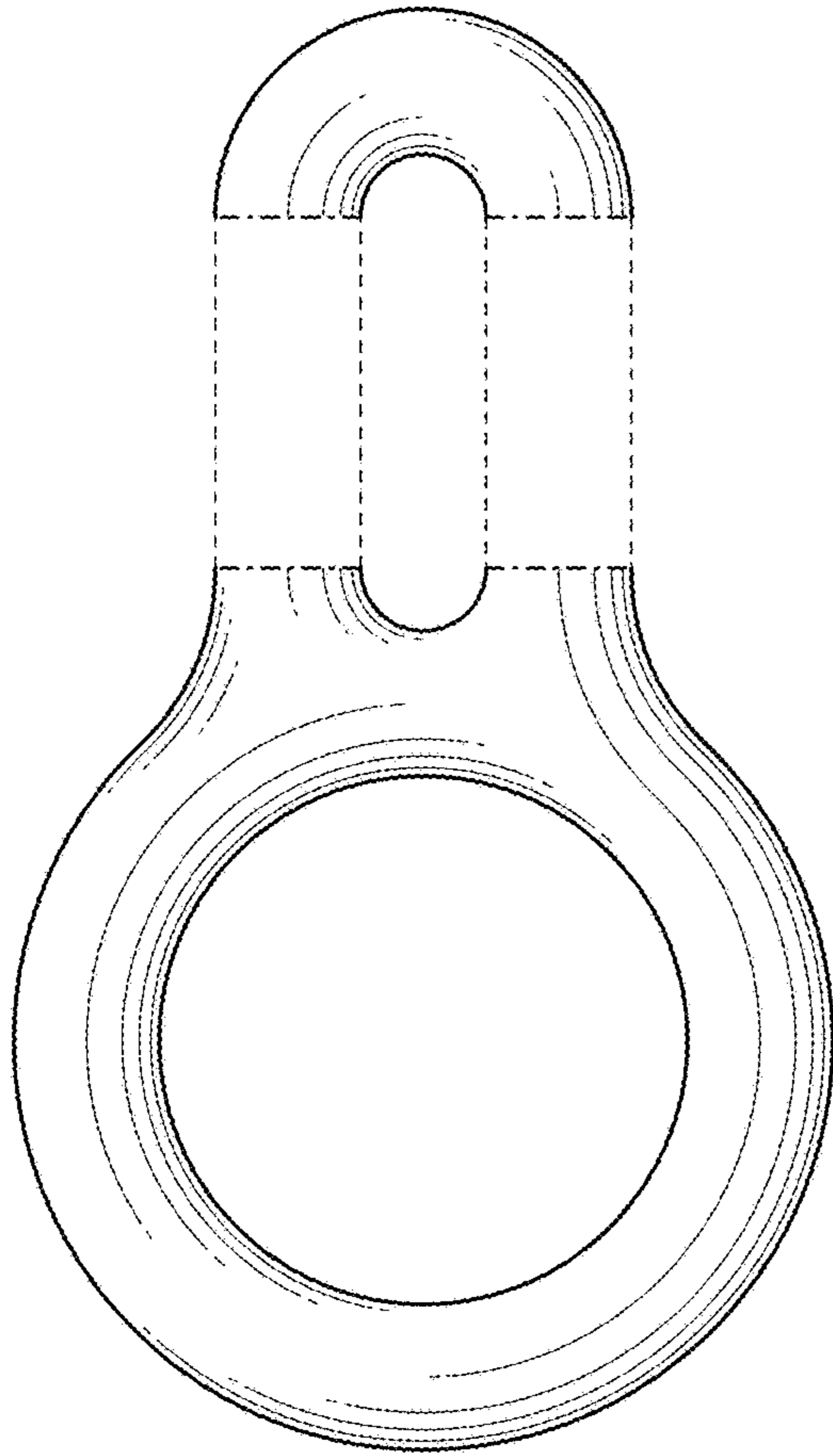


FIG. 7

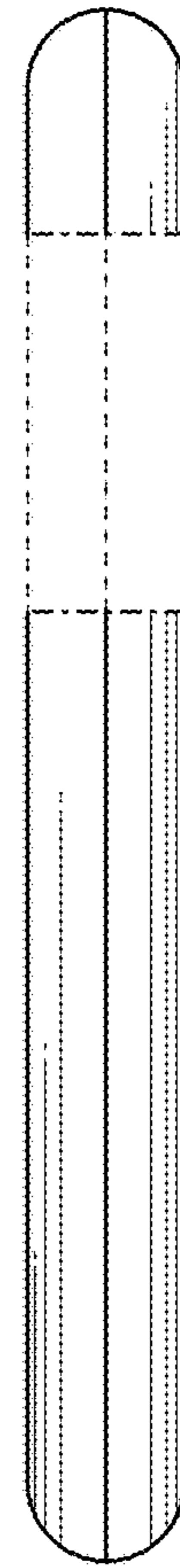


FIG. 8

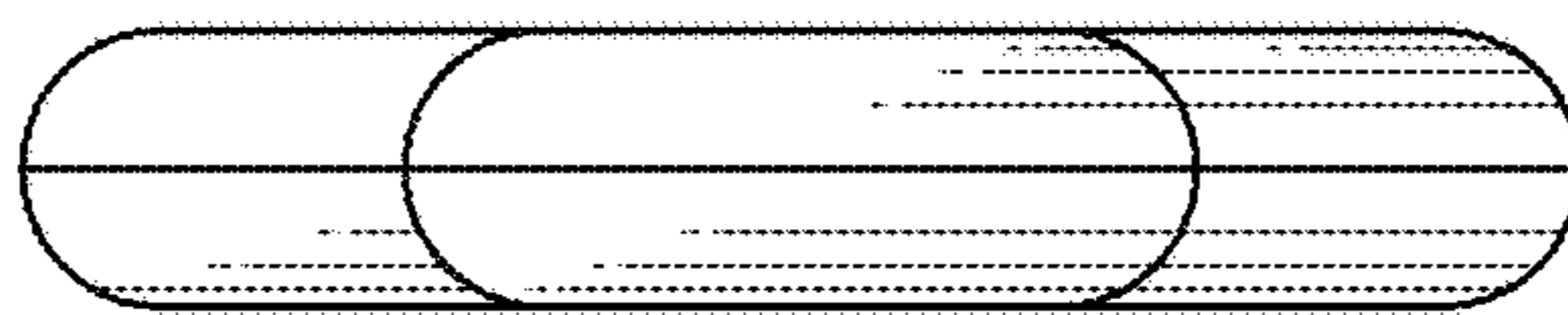


FIG. 9



FIG. 10