



US00D840788S

(12) **United States Design Patent**
Geiger et al.

(10) **Patent No.:** **US D840,788 S**

(45) **Date of Patent:** **** Feb. 19, 2019**

- (54) **AERIAL SUPPORT TIE**
- (71) Applicant: **HellermannTyton Corporation**,
Milwaukee, WI (US)
- (72) Inventors: **Gerard G. Geiger**, Jackson, WI (US);
Walter Patrick Trautfield, Milwaukee,
WI (US)

- 3,816,878 A 6/1974 Fulton
- 3,981,048 A 9/1976 Moody
- 4,001,898 A 1/1977 Caveney
- 4,191,334 A 3/1980 Bulanda
- 4,272,870 A 6/1981 McCormick
- 4,287,644 A 9/1981 Durand
- 4,347,648 A 9/1982 Dekkers
- 4,397,435 A 8/1983 Fisher

(Continued)

- (73) Assignee: **HELLERMANN TYTON CORPORATION**, Milwaukee, WI (US)

OTHER PUBLICATIONS

Thomas & Betts, Deltec Cable Tie, <http://www-public.tnb.com/ps/fulltilt/index.cgi?check=Y&part=TYD5135M>, dated Jul. 23, 2013, 2 pages.

(Continued)

- (**) Term: **15 Years**
- (21) Appl. No.: **29/584,497**
- (22) Filed: **Nov. 15, 2016**

Primary Examiner — Cynthia R Underwood
(74) *Attorney, Agent, or Firm* — Robert J. Myers

Related U.S. Application Data

- (60) Continuation of application No. 29/527,573, filed on May 20, 2015, now Pat. No. Des. 776,516, which is a division of application No. 29/482,670, filed on Feb. 20, 2014, now Pat. No. Des. 739,714.

(57) **CLAIM**

The ornamental design for an aerial support tie, as shown and described.

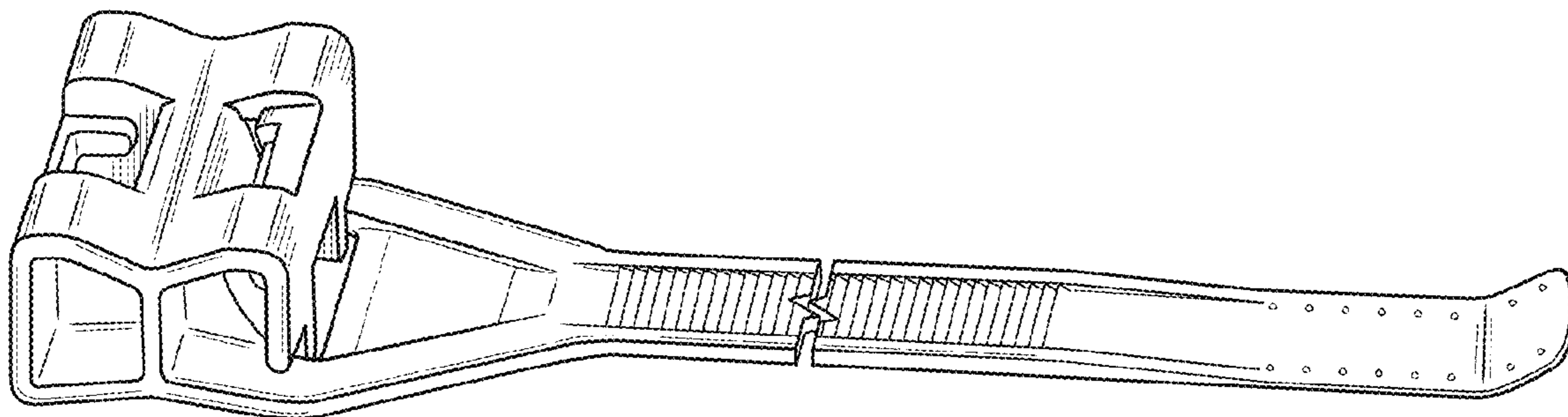
- (51) **LOC (11) Cl.** **09-06**
- (52) **U.S. Cl.**
USPC **D8/356**
- (58) **Field of Classification Search**
USPC D8/356, 354; 381/384
CPC E02D 5/803; B63B 21/045; B63B 59/02;
B60D 1/18; B60P 7/0823; A44B 13/0029;
Y10T 24/3918
See application file for complete search history.

DESCRIPTION

FIG. 1 is a perspective view of a tie head according to the present invention.
 FIG. 2 is a left side elevation view of the embodiment of FIG. 1.
 FIG. 3 is a right side elevation view of the embodiment of FIG. 1.
 FIG. 4 is a top plan view of the embodiment of FIG. 1.
 FIG. 5 is a bottom plan view of the embodiment of FIG. 1.
 FIG. 6 is a front elevation view of the embodiment of FIG. 1; and,
 FIG. 7 is a rear elevation view of the embodiment of FIG. 1.
 The aerial support tie is shown with a symbolic break in its length. The appearance of any portion of the article between the break lines forms no part of the claim.

- (56) **References Cited**
U.S. PATENT DOCUMENTS
3,257,694 A 6/1966 Litwin
3,463,427 A 8/1969 Fisher
3,654,669 A 4/1972 Fulton
3,747,164 A 7/1973 Fortsch

1 Claim, 2 Drawing Sheets



(56)

References Cited

U.S. PATENT DOCUMENTS

D273,361 S 4/1984 Suzuki
 RE31,689 E 10/1984 Bulanda
 4,498,507 A 2/1985 Thompson
 D281,301 S 11/1985 Spolar
 4,557,023 A 12/1985 Six
 4,562,982 A 1/1986 McSherry
 4,574,434 A 3/1986 Shupe
 4,665,588 A 5/1987 Nakano
 4,754,529 A 7/1988 Paradis
 4,788,751 A 12/1988 Shely
 4,819,897 A 4/1989 Gooding
 4,860,979 A 8/1989 Camenisch
 D305,099 S 12/1989 Naruse et al.
 D305,977 S 2/1990 Ono
 4,909,051 A 3/1990 Lee
 4,937,435 A 6/1990 Goss et al.
 4,993,669 A 2/1991 Dyer
 5,083,346 A 1/1992 Orton
 5,088,158 A 2/1992 Burkholder
 5,102,075 A 4/1992 Dyer
 5,117,575 A 6/1992 Desmond
 5,131,613 A 7/1992 Kamiya et al.
 D334,337 S 3/1993 Ito et al.
 5,267,967 A 12/1993 Schneider
 D347,156 S 5/1994 Starrett
 5,377,387 A 1/1995 Freed
 5,398,383 A 3/1995 Bingold
 5,416,955 A 5/1995 Katsma
 D363,212 S 10/1995 Hill
 D368,853 S 4/1996 Liu et al.
 5,538,208 A 7/1996 Cordes
 5,584,452 A 12/1996 Koike
 5,628,348 A 5/1997 Scott
 5,836,053 A 11/1998 Davigon
 5,884,367 A 3/1999 Teagno et al.
 5,911,368 A 6/1999 Davignon
 5,954,302 A 9/1999 Robertson
 5,956,813 A 9/1999 Cooper
 5,966,781 A 10/1999 Geiger
 D417,387 S 12/1999 Kim
 D417,838 S 12/1999 Kim Sooki
 D424,923 S 5/2000 Lodi
 6,079,657 A 6/2000 Hwang
 6,105,210 A 8/2000 Benoit
 6,105,908 A 8/2000 Kraus
 6,119,314 A 9/2000 Freed
 6,129,317 A 10/2000 Rodrigues
 6,151,761 A 11/2000 Thompson
 D435,438 S 12/2000 West
 6,196,033 B1 3/2001 Dowdle
 D442,851 S 5/2001 Wilson
 6,240,602 B1 6/2001 Geiger
 6,330,989 B1 12/2001 Okamoto
 6,363,244 B1 3/2002 McGhee
 6,364,257 B1 4/2002 Holder
 6,430,783 B1 8/2002 Benoit
 6,484,366 B1 11/2002 Deschenes
 6,497,258 B1 12/2002 Flannery
 6,532,631 B2 3/2003 Rohaly
 6,828,509 B2 12/2004 Ito et al.
 D530,600 S 10/2006 Krisel
 7,131,168 B2 11/2006 Pangallo
 D537,333 S 2/2007 Jowsey
 7,229,052 B2 6/2007 Takeuchi
 7,316,375 B2 1/2008 Wakabayashi
 7,334,299 B2 2/2008 Assarsson

D565,401 S 4/2008 Grady et al.
 D570,673 S 6/2008 Geiger et al.
 7,661,633 B2 2/2010 Igarashi
 D614,941 S 5/2010 Murphy
 D619,887 S 7/2010 Colton
 7,753,320 B2 7/2010 Geiger et al.
 7,753,321 B2 7/2010 Geiger
 7,774,905 B2 8/2010 Geiger
 7,775,484 B2 8/2010 Gunzburger
 7,789,414 B2 9/2010 Blackburn
 D631,731 S 2/2011 Chen
 D634,187 S 3/2011 Kozel
 8,033,966 B2 10/2011 Ayoub
 8,282,047 B2 10/2012 Franks
 D670,154 S 11/2012 Kelleghan
 8,413,306 B2* 4/2013 Gallant B29C 43/222
 24/306
 8,474,104 B2 7/2013 Watson
 8,559,782 B2 10/2013 Cleofe et al.
 D698,632 S 2/2014 Wang
 D700,826 S 3/2014 Qin
 8,739,387 B1 6/2014 Frishberg
 D712,295 S* 9/2014 Ennis D11/3
 8,978,210 B2 3/2015 Arjomand
 8,978,211 B2 3/2015 Arjomand
 D728,351 S 5/2015 Martinson
 D728,352 S 5/2015 Martinson
 9,067,717 B2 6/2015 DeMik et al.
 D741,691 S 10/2015 Adams
 D741,701 S 10/2015 McNeil
 D749,409 S 2/2016 Martinson
 D751,888 S 3/2016 Sakamoto
 9,340,341 B2* 5/2016 Farrell B65D 63/14
 D769,704 S 10/2016 Nitta
 D818,350 S* 5/2018 Dencek D8/356
 D820,667 S* 6/2018 Sugiyama D8/356
 2001/0013277 A1* 8/2001 Galkiewicz A44B 18/0053
 100/2
 2003/0106190 A1 6/2003 Christianson
 2006/0265840 A1 11/2006 Thompson
 2007/0057124 A1 3/2007 Kwilosz
 2008/0185409 A1 8/2008 Kellenberger
 2009/0276983 A1 11/2009 Chan
 2010/0071169 A1 3/2010 Williams et al.
 2010/0096511 A1 4/2010 Olver
 2010/0306967 A1 12/2010 Geiger
 2012/0291231 A1 11/2012 Ku
 2015/0033509 A1 2/2015 Dietrich
 2015/0210453 A1 7/2015 Liang
 2016/0009469 A1 1/2016 Schneider De Oliveira et al.
 2018/0029519 A1* 2/2018 Hill B60P 3/079
 2018/0154818 A1* 6/2018 Sauerwald B60P 7/0823

OTHER PUBLICATIONS

Panduit, Aerial Support Ties, www.panduit.com/wcs/Satellitite?c=Page&childpagename=Panduit_Global%2FPG_Layout&cid=1345565612156&packedargs=classification_id%3D199, Jul. 23, 2013.
 Panduit product page, Aerial Support Ties, www.panduit.com/heiler/CatalogCutSheets/AST10-5-C100%20Product%20Page.pdf, date unknown, 1 page.
 Panduit product page, Sta-Strap Bow-Ty Cable Ties, <http://www.panduit.com/heiler/CatalogCutSheets/SSB2S-C%20Product%20Page.pdf>, date unknown, 1 page.
 HellermannTyton Catalog page, http://wpc.ac62.edgecastcdn.net/00AC62/documents/catalogs/LITPDCMIS_US_CAT.pdf, p. 66, date unknown, 1 page.

* cited by examiner

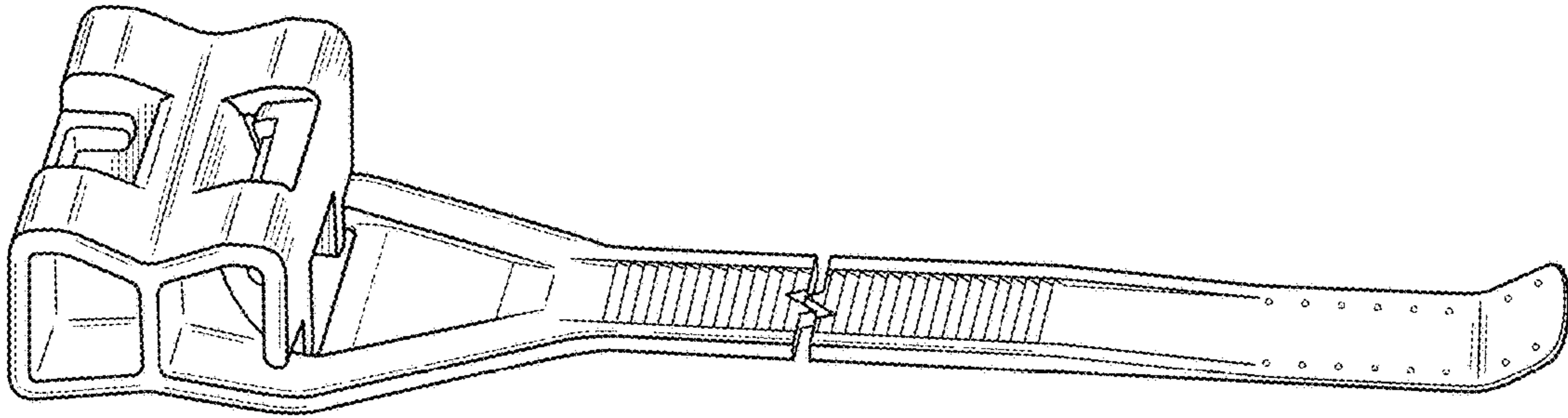


Fig. 1

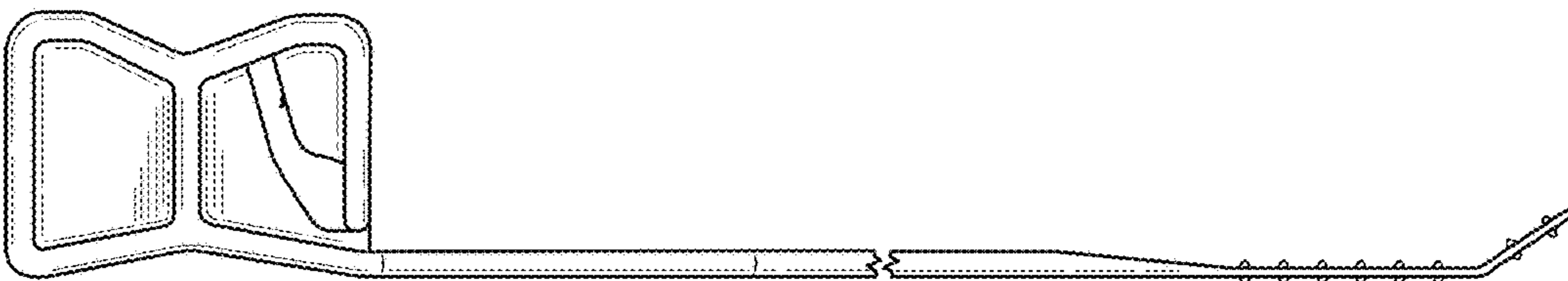


Fig. 2

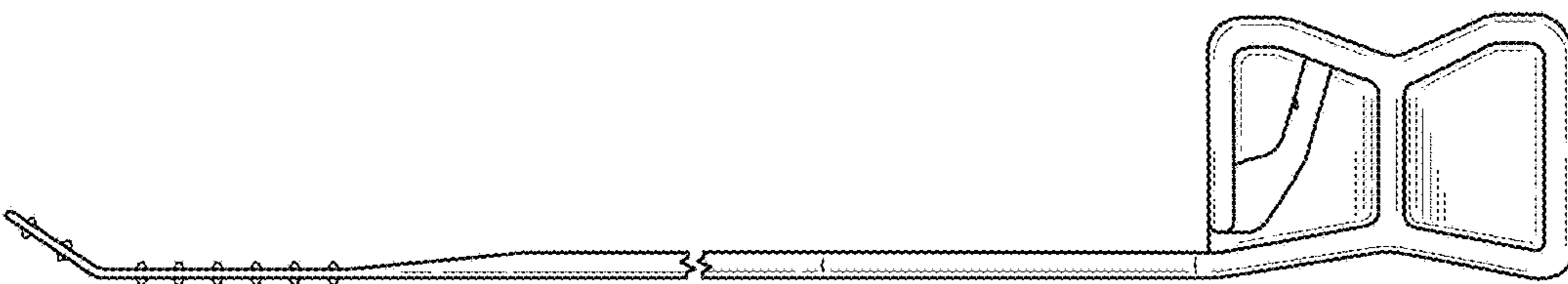


Fig. 3

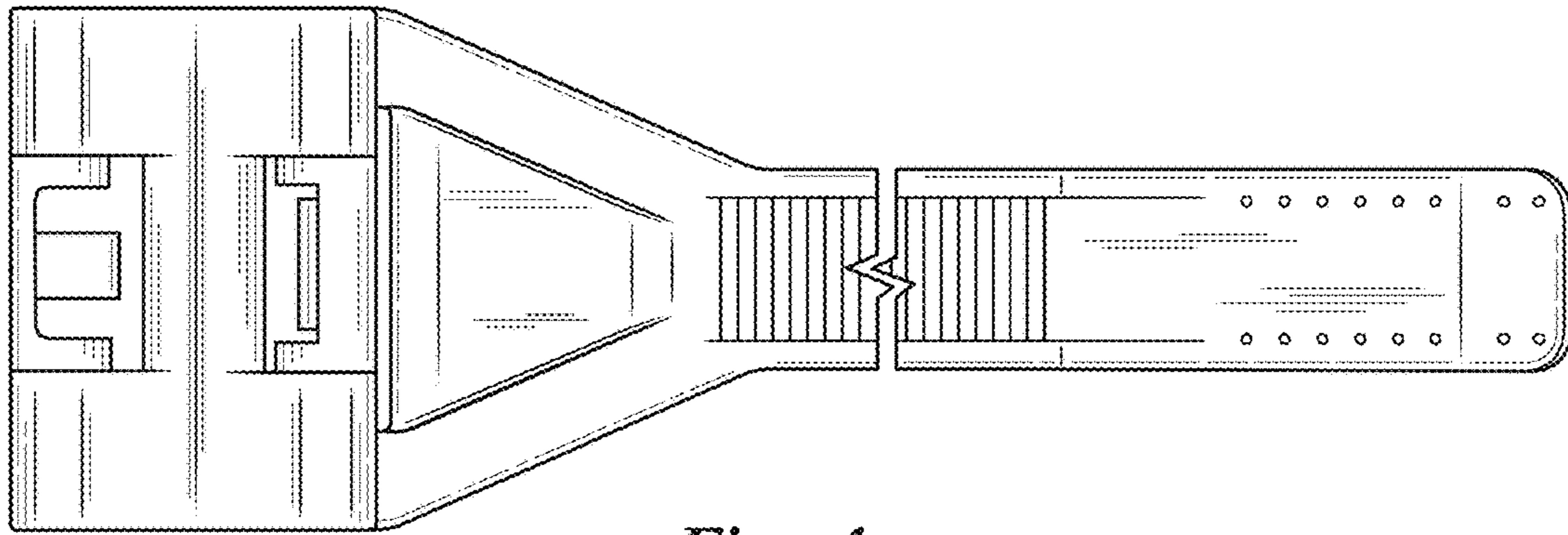


Fig. 4

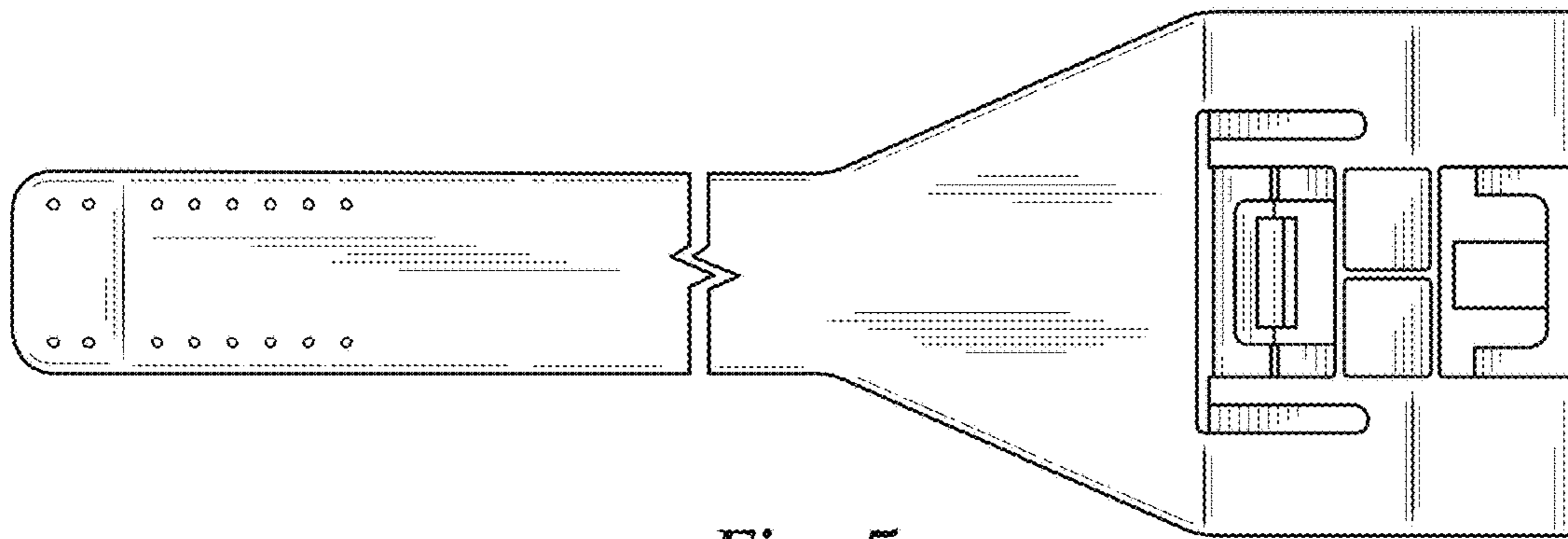


Fig. 5

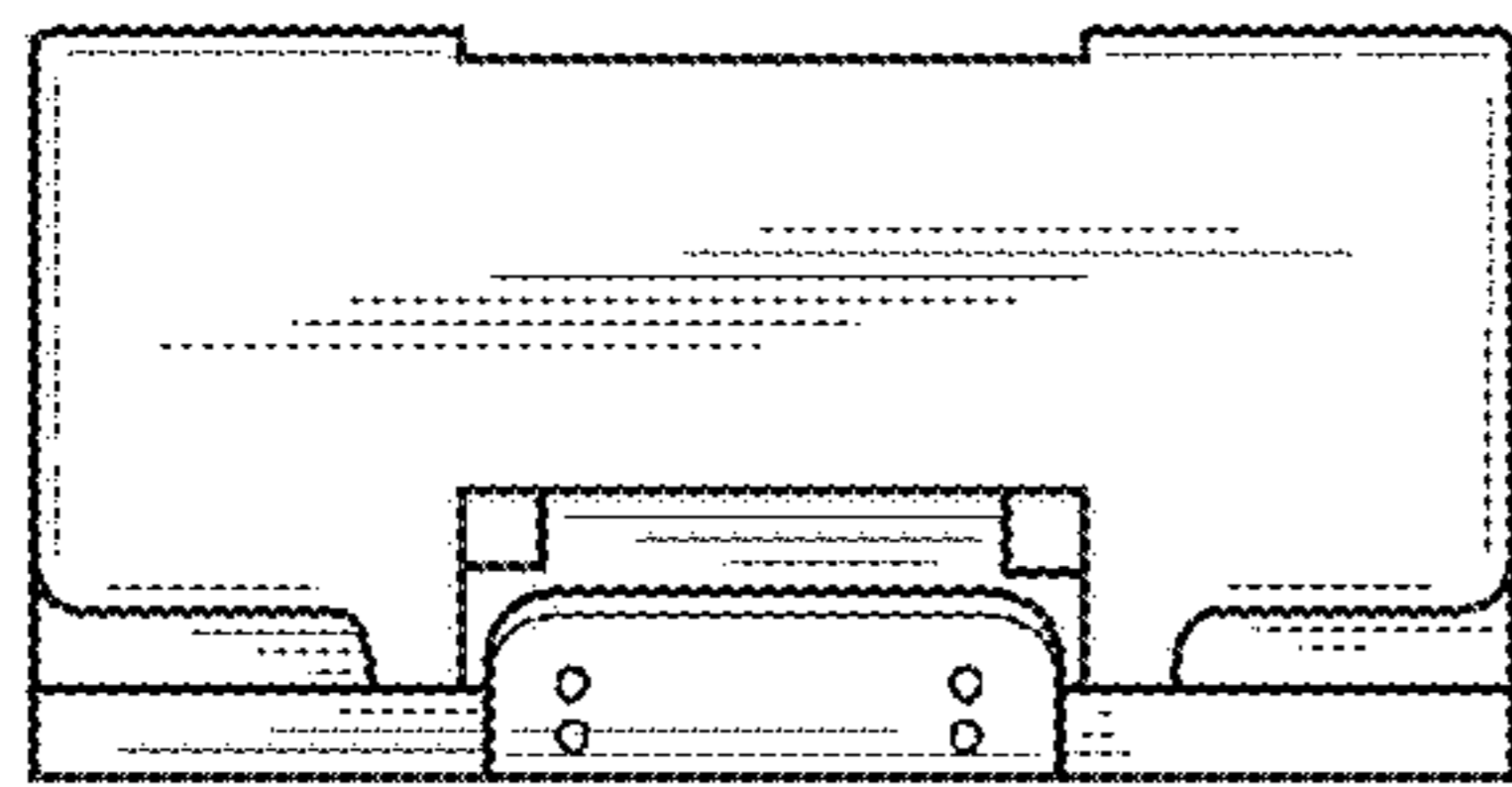


Fig. 6

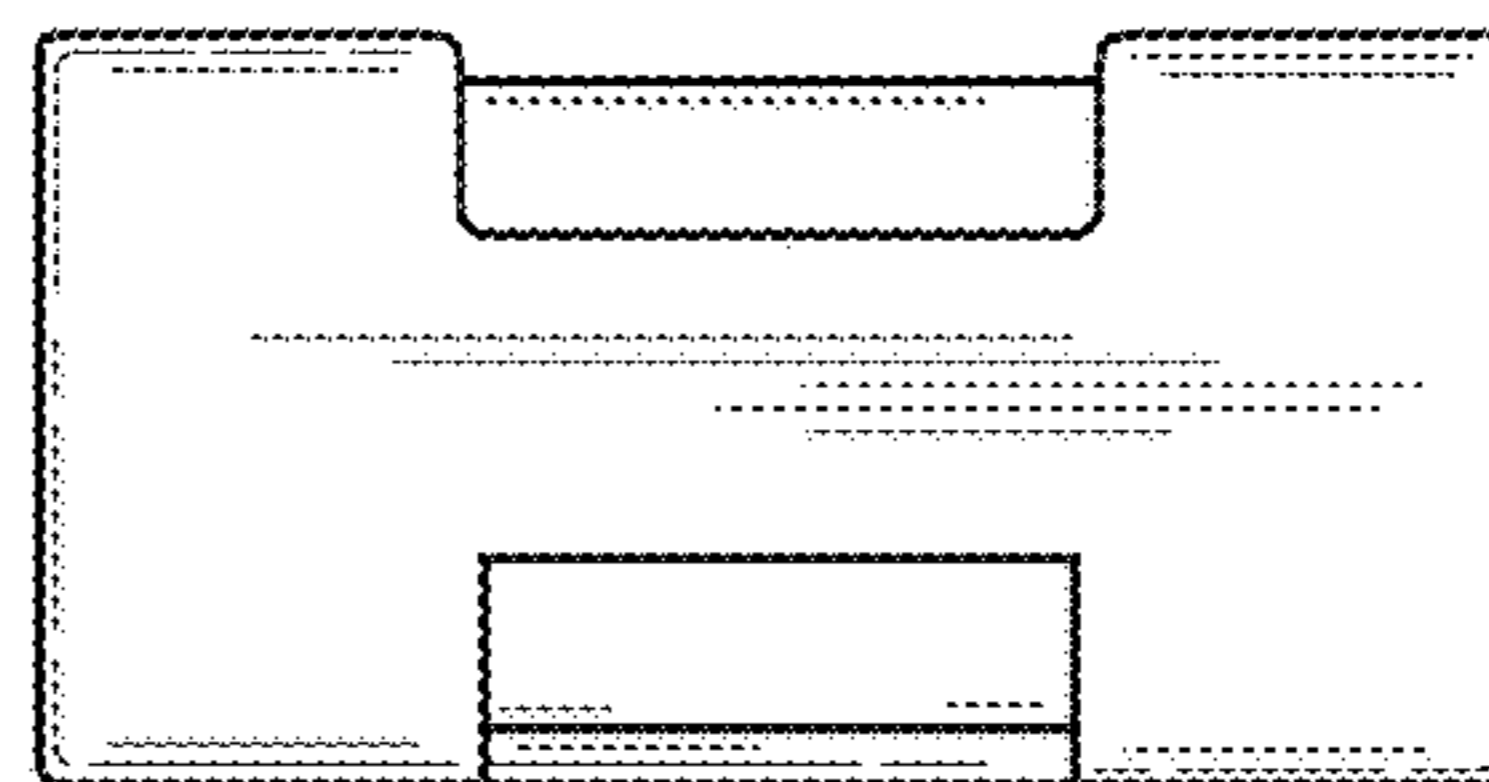


Fig. 7