



US00D840787S

(12) **United States Design Patent** (10) **Patent No.:** **US D840,787 S**  
**Pine** (45) **Date of Patent:** **\*\* \*Feb. 19, 2019**

- (54) **FASTENING STRAP**
- (71) Applicant: **Synapco Industries Limited,**  
Gracefield (NZ)
- (72) Inventor: **David Garth Pine,** Gracefield (NZ)
- (\*) Notice: This patent is subject to a terminal disclaimer.
- (\*\*) Term: **15 Years**
- (21) Appl. No.: **29/609,558**
- (22) Filed: **Jun. 30, 2017**
- (51) **LOC (11) Cl.** ..... **08-08**
- (52) **U.S. Cl.**  
USPC ..... **D8/349**
- (58) **Field of Classification Search**  
USPC ..... D8/60, 61, 77, 82, 342, 349, 354, 355,  
D8/356, 367, 382, 396, 499  
CPC ..... B65H 75/28; A43C 1/02; B65D 45/02;  
B65F 1/1615; B65F 1/16; B65F 1/1646;  
B60D 1/18; B60P 7/0823  
See application file for complete search history.

(56) **References Cited**

**U.S. PATENT DOCUMENTS**

- D424,921 S \* 5/2000 Axelsson ..... D8/394
- D426,458 S \* 6/2000 Axelsson ..... D8/394
- D460,734 S \* 7/2002 Carlson ..... D12/223
- D513,973 S \* 1/2006 Cheung ..... D8/394
- 8,261,416 B2 \* 9/2012 Rothbaum ..... F16G 11/00  
206/320
- D672,230 S \* 12/2012 Laverack ..... D8/396
- D686,909 S \* 7/2013 Frydlewski ..... D2/978
- D719,823 S \* 12/2014 Frydlewski ..... D8/396

- D786,055 S \* 5/2017 Sola ..... D2/978
- 9,820,535 B2 \* 11/2017 Frydlewski ..... A44B 17/0064
- D813,140 S \* 3/2018 Stent ..... D12/223
- D814,906 S \* 4/2018 Pine ..... D8/349
- D815,510 S \* 4/2018 Often ..... D8/347
- D818,350 S \* 5/2018 Dencek ..... D8/356
- 2014/0262864 A1 \* 9/2014 Rothbaum ..... H01F 7/0263  
206/223

\* cited by examiner

*Primary Examiner* — Jennifer Rivard

*Assistant Examiner* — Alison M Ofstun

(74) *Attorney, Agent, or Firm* — Greenspoon Marder  
LLP; Todd J. Langford

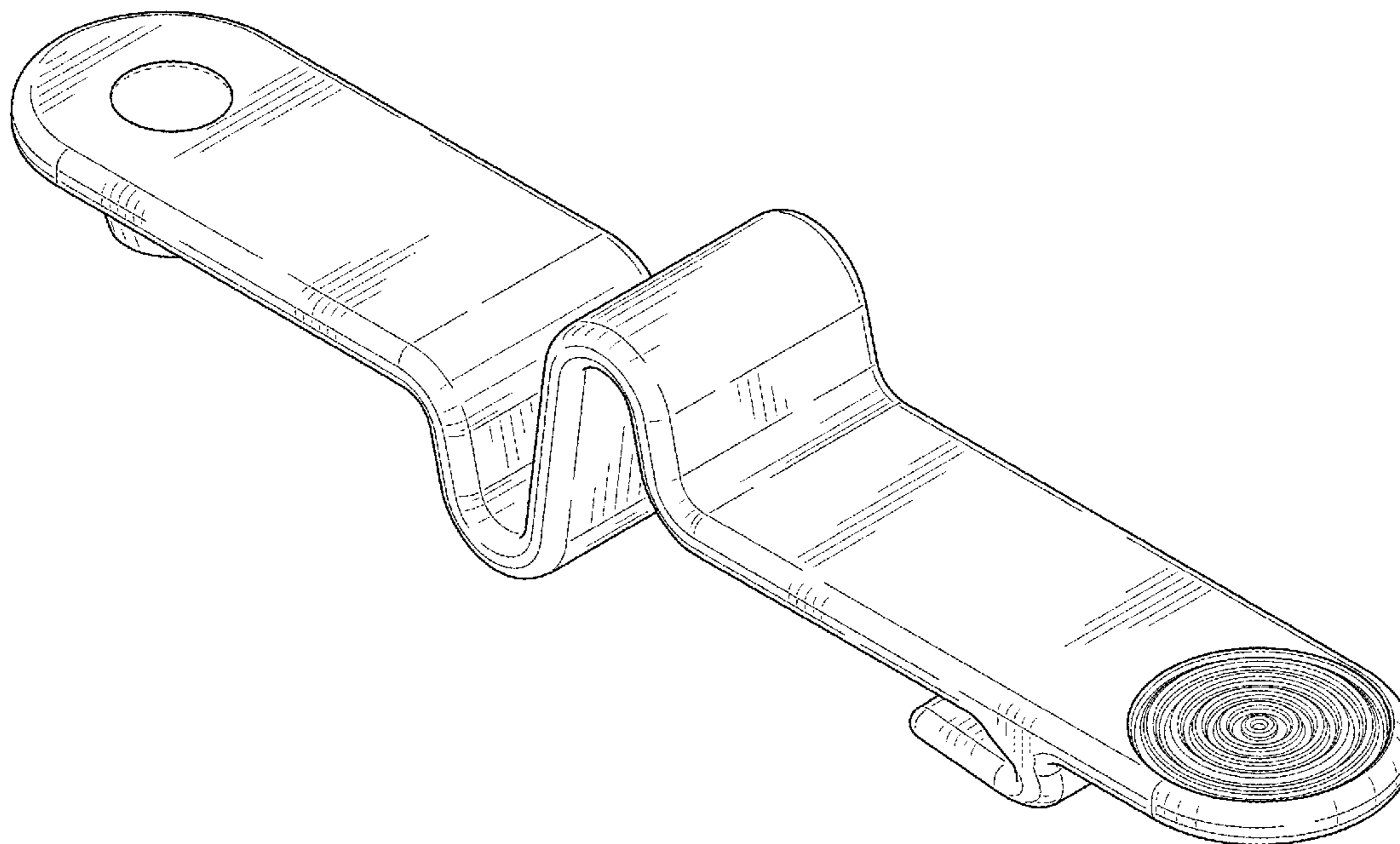
(57) **CLAIM**

The ornamental design for a fastening strap, as shown and described.

**DESCRIPTION**

FIG. 1 is a perspective view of a fastening strap showing my new design;  
 FIG. 2 is a right side view thereof;  
 FIG. 3 is a left side view thereof;  
 FIG. 4 is a front view thereof;  
 FIG. 5 is a back view thereof;  
 FIG. 6 is a top view thereof;  
 FIG. 7 is a bottom view thereof; and,  
 FIG. 8 is another perspective view thereof.  
 The broken lines are for the purpose of illustrating portions of the fastening strap that form no part of the claimed design. The dot-dash lines represent boundaries of the claimed design and form no part thereof.

**1 Claim, 5 Drawing Sheets**



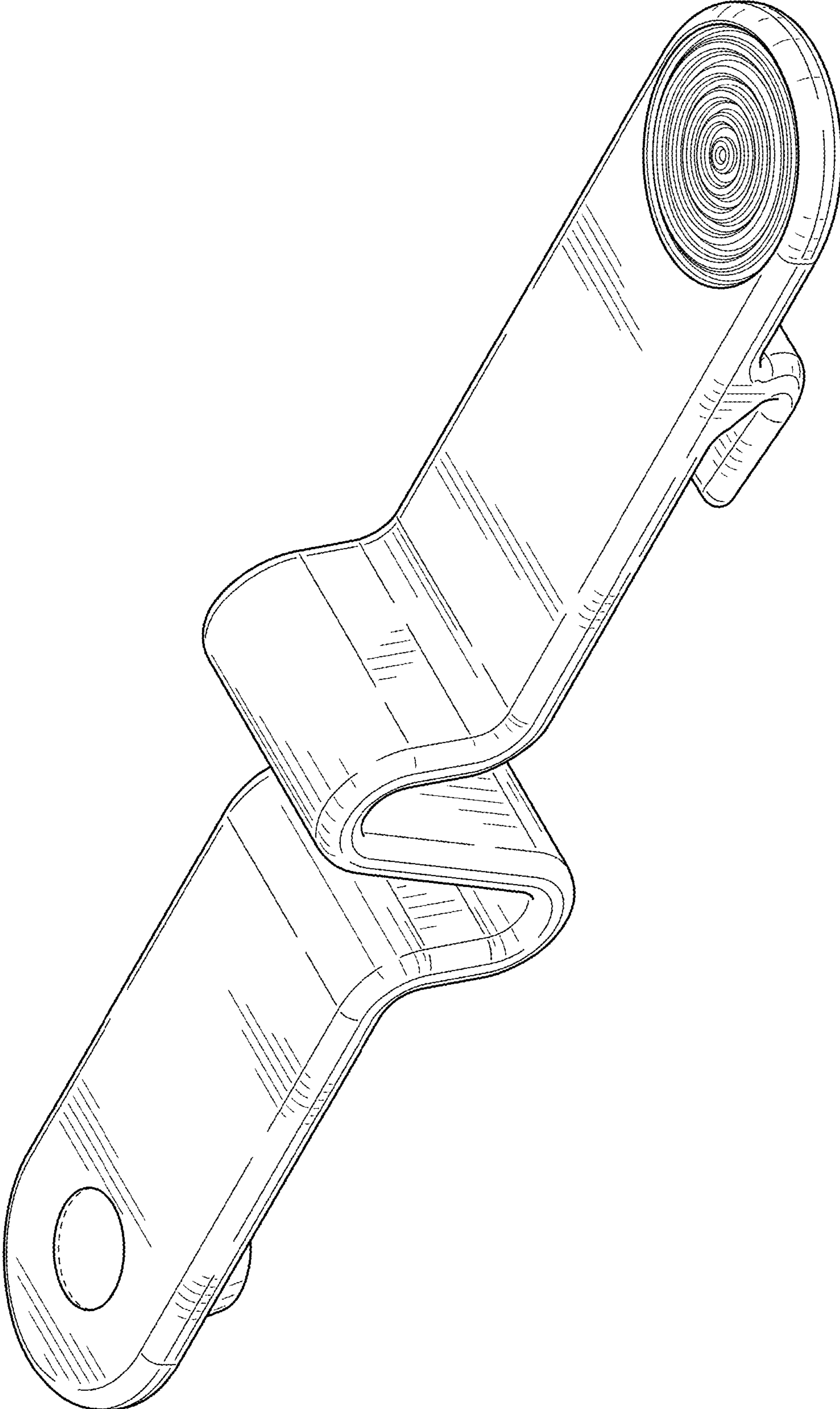


FIG. 1

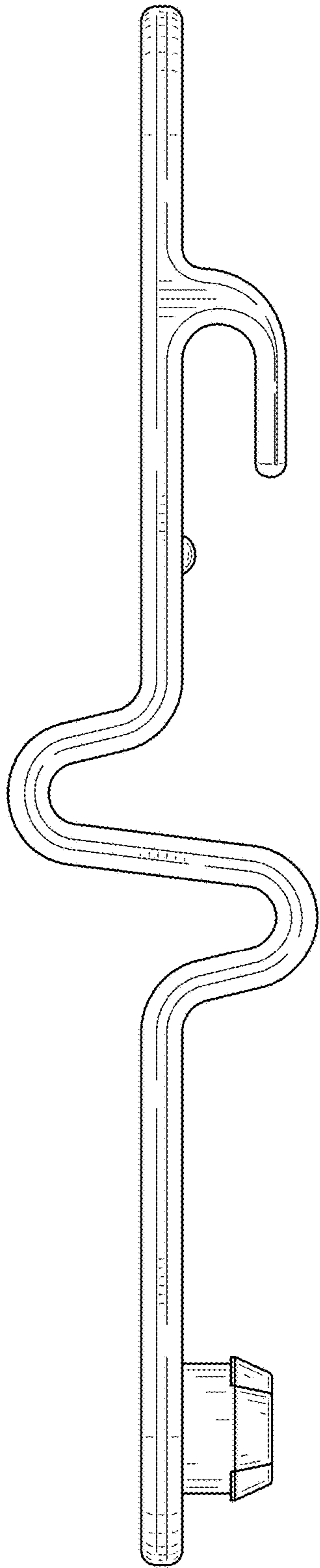


FIG. 2

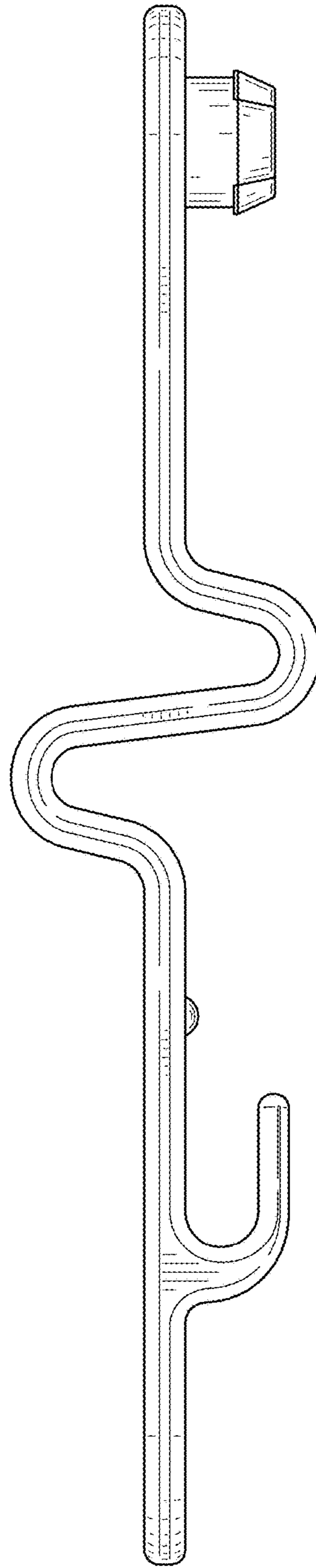


FIG. 3

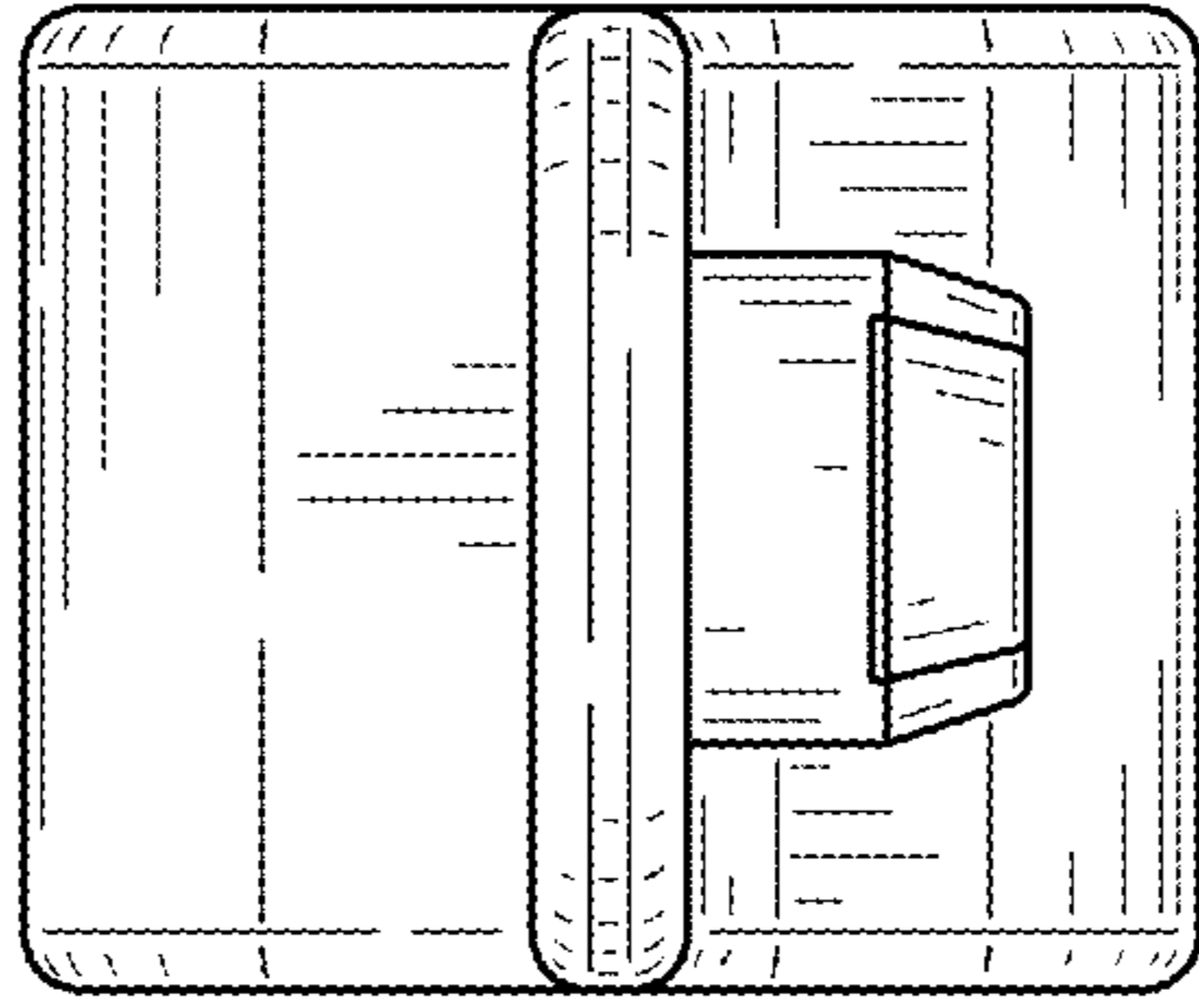


FIG. 5

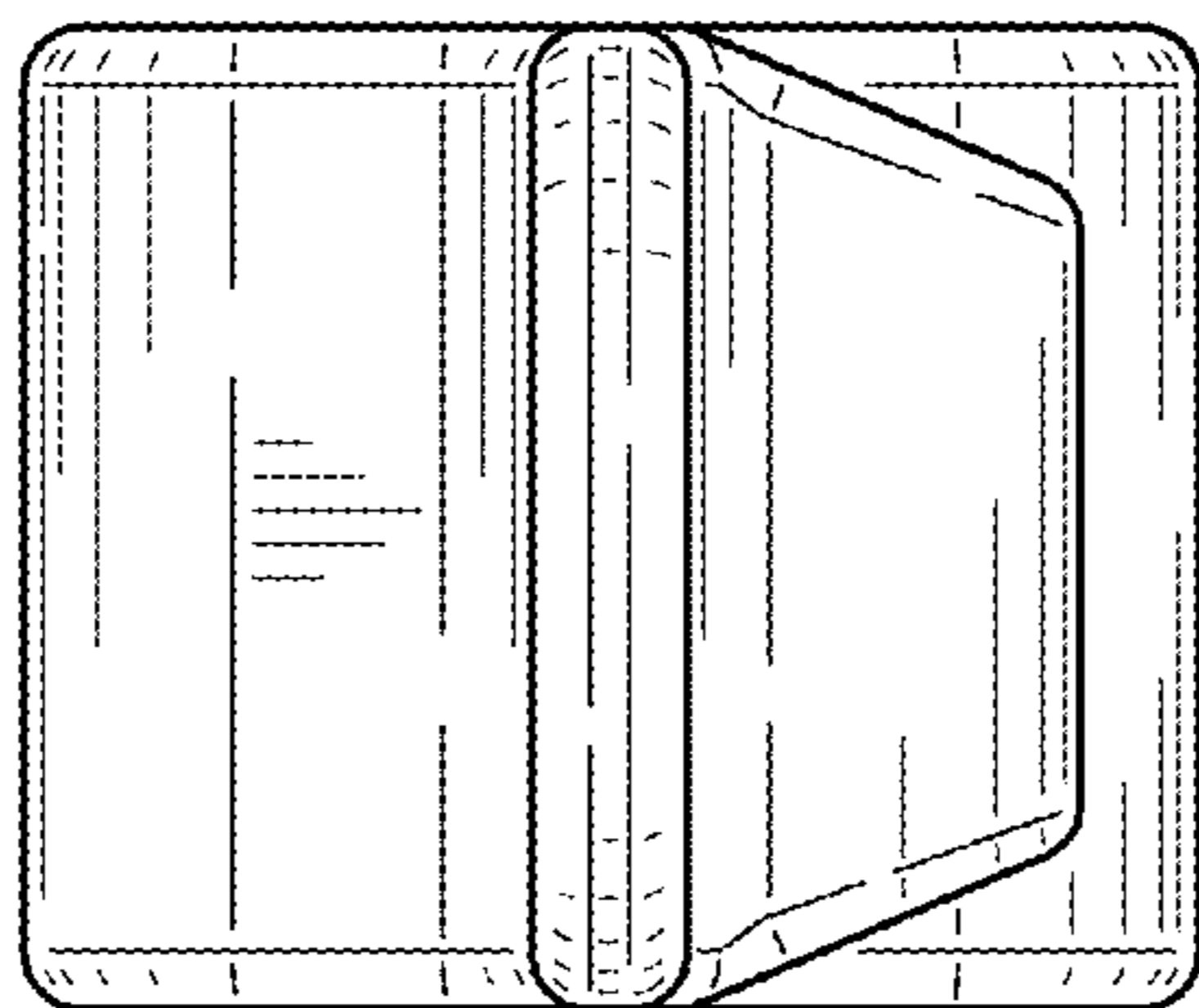


FIG. 4

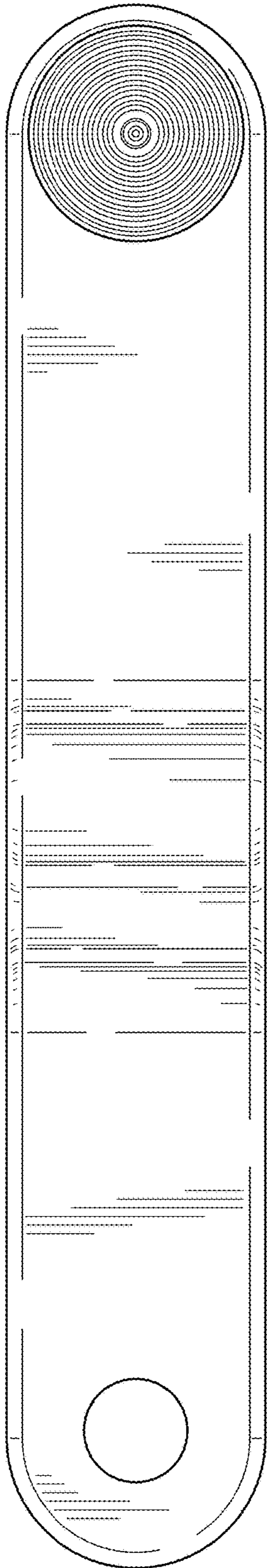


FIG. 6

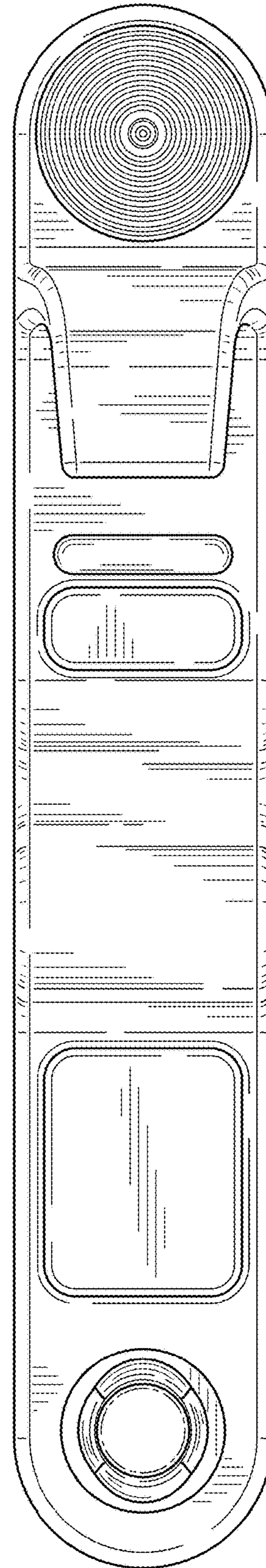


FIG. 7

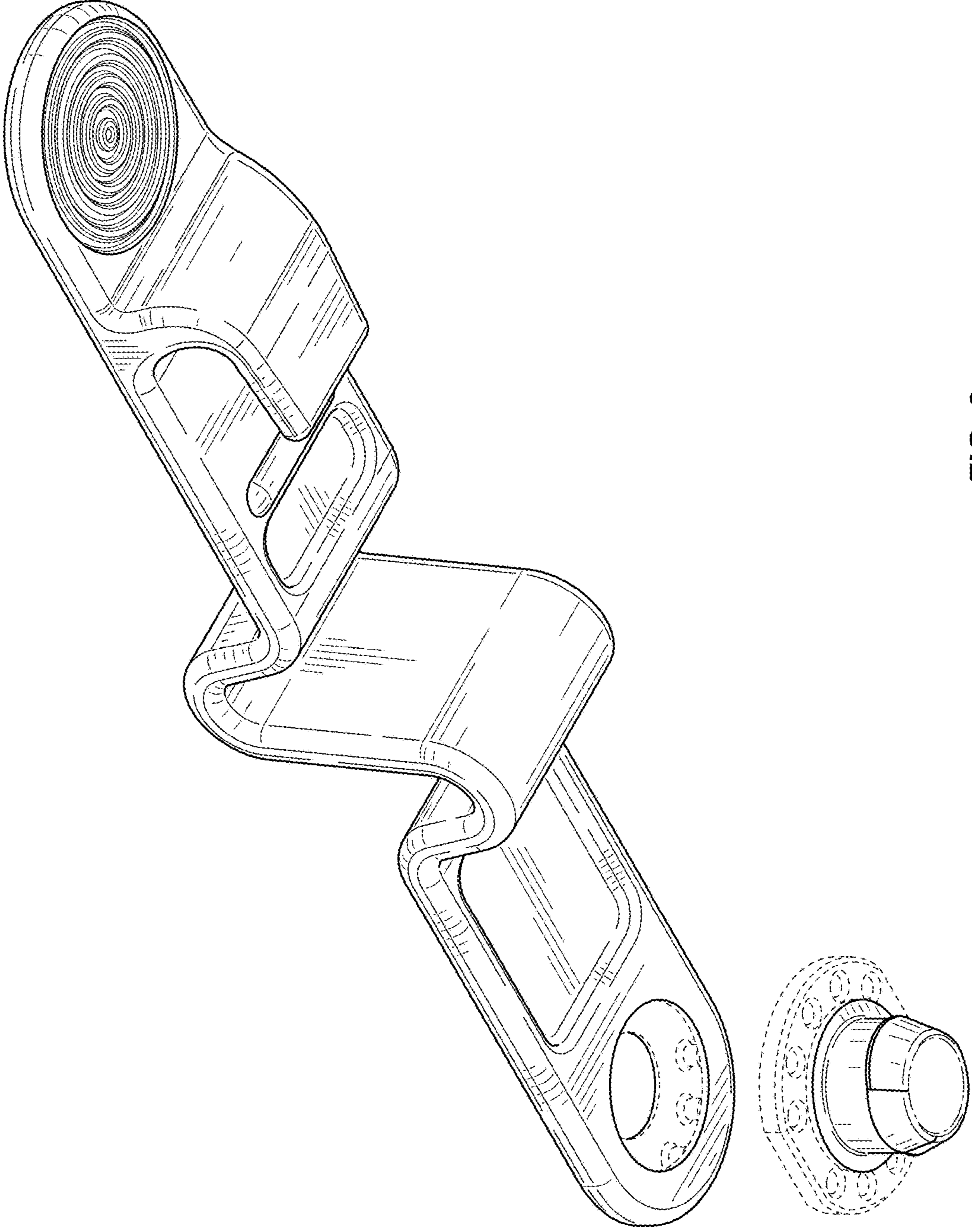


FIG. 8