



US00D840785S

(12) **United States Design Patent** (10) **Patent No.:** **US D840,785 S**  
**Kasper** (45) **Date of Patent:** **\*\* Feb. 19, 2019**

- (54) **DOOR LOCK ESCUTCHEON**
- (71) Applicant: **YALE SECURITY INC.**, New Haven, CT (US)
- (72) Inventor: **Scott Kasper**, New Haven, CT (US)
- (73) Assignee: **ASSA ABLOY Egress Hardware Group, Inc.**, New Haven, CT (US)
- (\*\*) Term: **15 Years**
- (21) Appl. No.: **29/624,779**
- (22) Filed: **Nov. 3, 2017**

- D752,946 S \* 4/2016 Shen ..... D8/330
- D781,130 S \* 3/2017 Shargh ..... D8/330
- D790,948 S \* 7/2017 Lai ..... D8/330
- D790,951 S \* 7/2017 Ferreira Sanchez ..... D8/331
- D790,956 S \* 7/2017 Hetfield ..... D8/330
- D794,414 S \* 8/2017 Chou ..... D8/330
- D817,148 S \* 5/2018 Carpintero ..... D8/331
- D818,795 S \* 5/2018 Morstatt ..... D8/331
- 2007/0200370 A1 \* 8/2007 Reithmeyer ..... E05B 63/18  
292/340
- 2015/0128667 A1 \* 5/2015 Yoon ..... E05B 47/02  
70/263
- 2018/0158268 A1 \* 6/2018 Comerford ..... G08B 13/06
- 2018/0171672 A1 \* 6/2018 Lin ..... E05B 47/0657

\* cited by examiner

*Primary Examiner* — Ian Simmons

*Assistant Examiner* — Yolanda Robinson

(74) *Attorney, Agent, or Firm* — DeLio, Peterson & Curcio LLC; Thomas E. Ciesco

**Related U.S. Application Data**

- (62) Division of application No. 29/573,886, filed on Aug. 10, 2016, now Pat. No. Des. 814,265.
- (51) **LOC (11) Cl.** ..... **08-07**
- (52) **U.S. Cl.**  
USPC ..... **D8/330**
- (58) **Field of Classification Search**  
USPC ..... D8/300–302, 330, 331, 334, 350;  
70/20–22, 57, 57.1, 284–286, 314,  
70/DIG. 26, DIG. 27, DIG. 44  
CPC ..... E05B 47/00; E05B 47/0692; E05B 63/44;  
E05B 15/02; E05B 1/00; E05B 3/00;  
E05B 9/02; E06B 49/00  
See application file for complete search history.

(57) **CLAIM**

The ornamental design for a “door lock escutcheon,” as shown and described.

**DESCRIPTION**

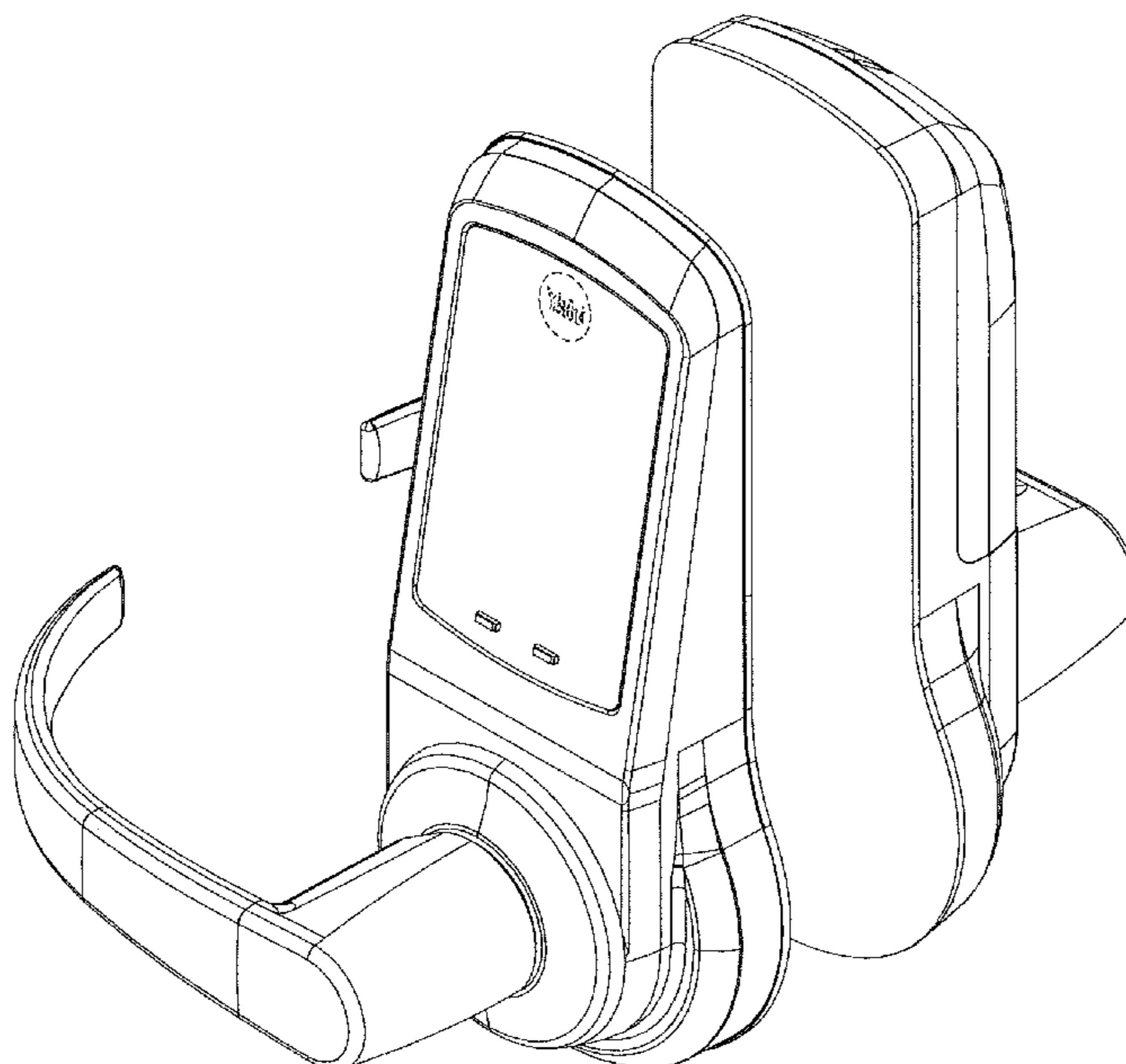
FIG. 1 is a right front top perspective view of the “door lock escutcheon” design according to our invention; FIG. 2 is right side elevational view thereof; FIG. 3 is a left side elevational view thereof; FIG. 4 is a front elevational view thereof; FIG. 5 is a rear elevational view thereof; FIG. 6 is a top elevational view thereof; and, FIG. 7 is a bottom elevational view thereof. The door lock escutcheon that is shown in broken lines are for the purpose of illustrating portions that form no part of the claimed design.

(56) **References Cited**

**U.S. PATENT DOCUMENTS**

- 6,733,050 B1 \* 5/2004 Yao ..... E05B 63/044  
292/137
- D545,662 S \* 7/2007 Lu ..... D8/302
- D581,245 S \* 11/2008 Conway ..... D8/330

**1 Claim, 7 Drawing Sheets**



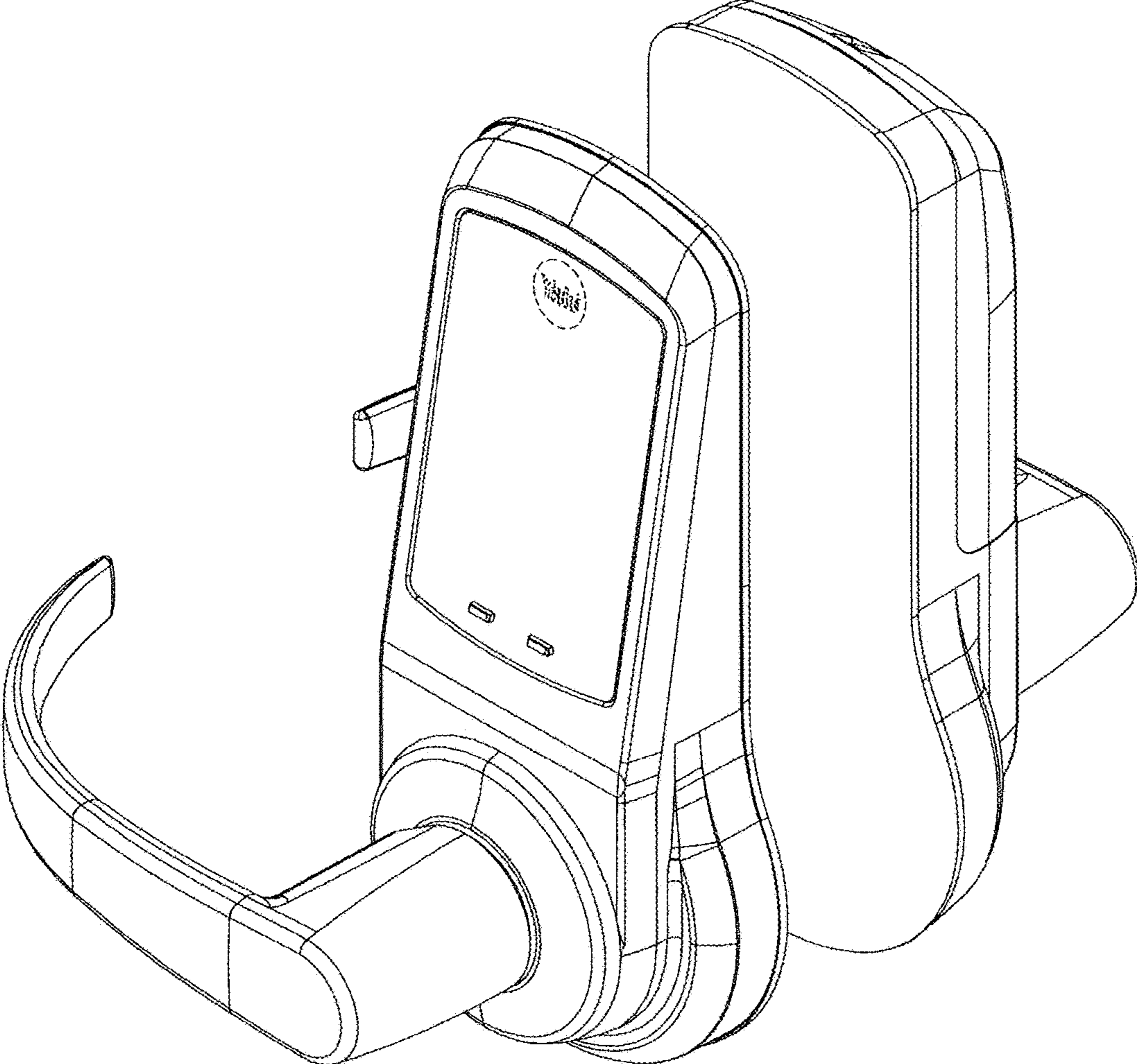


FIG. 1

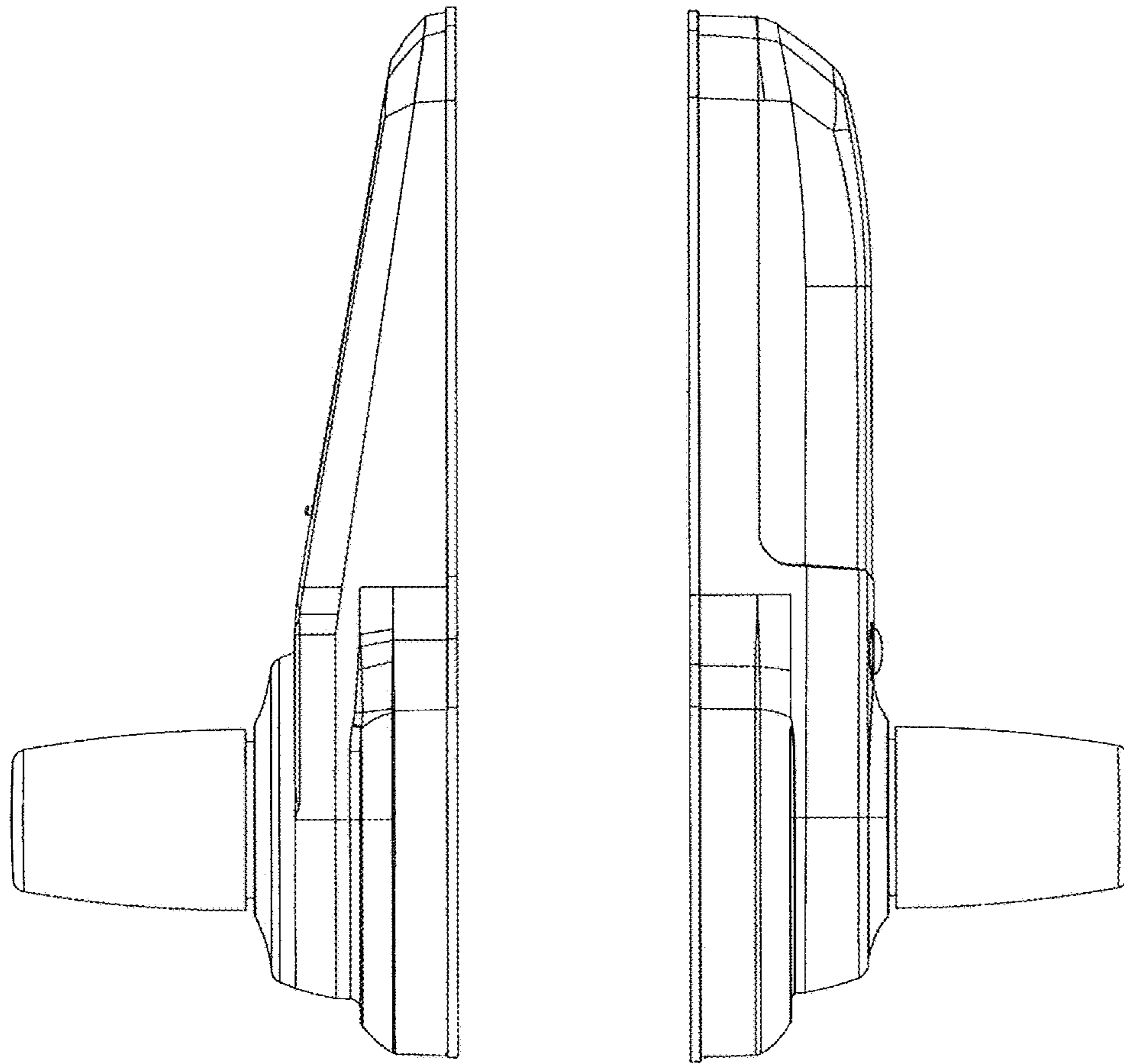


FIG. 2

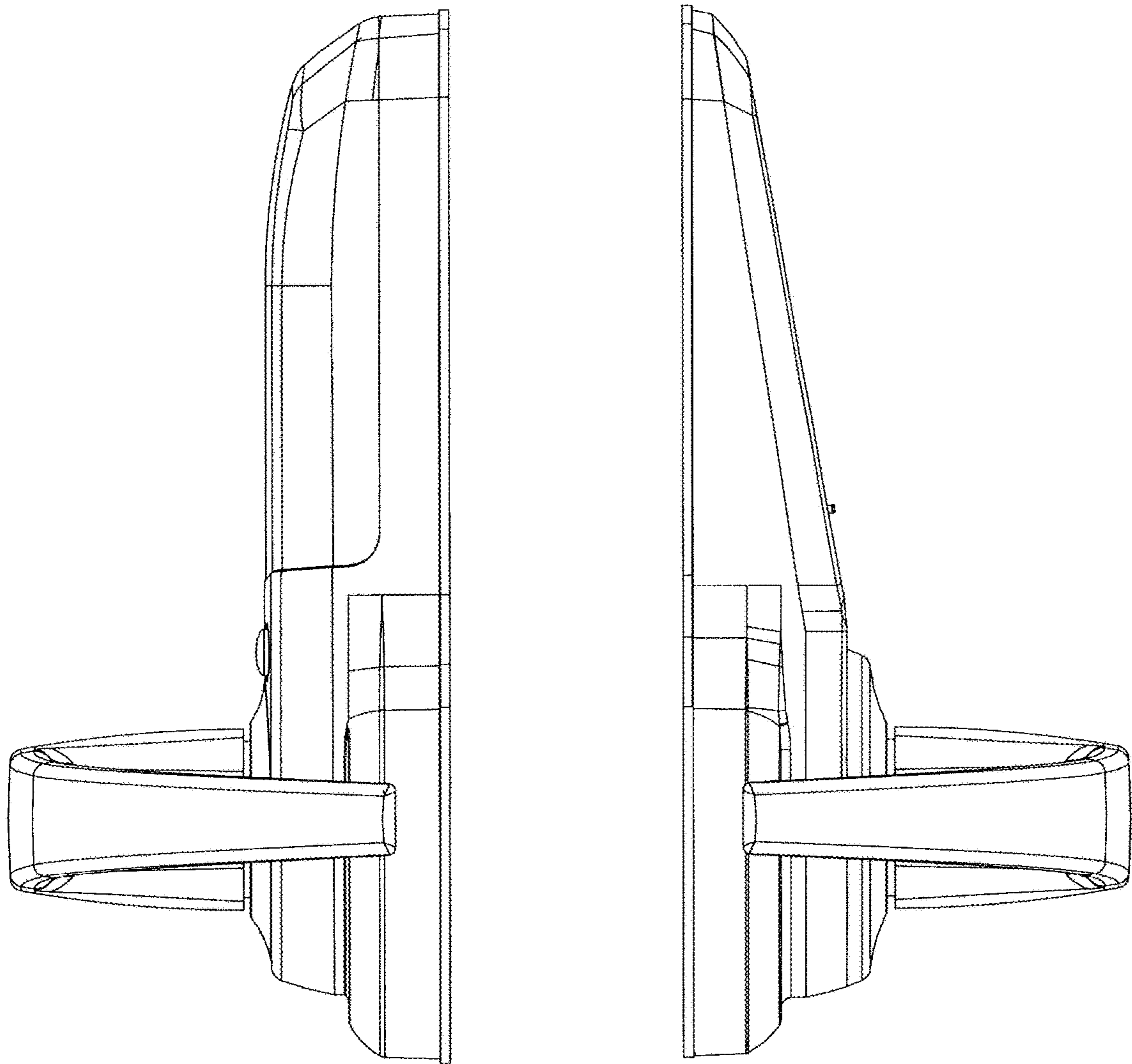


FIG. 3

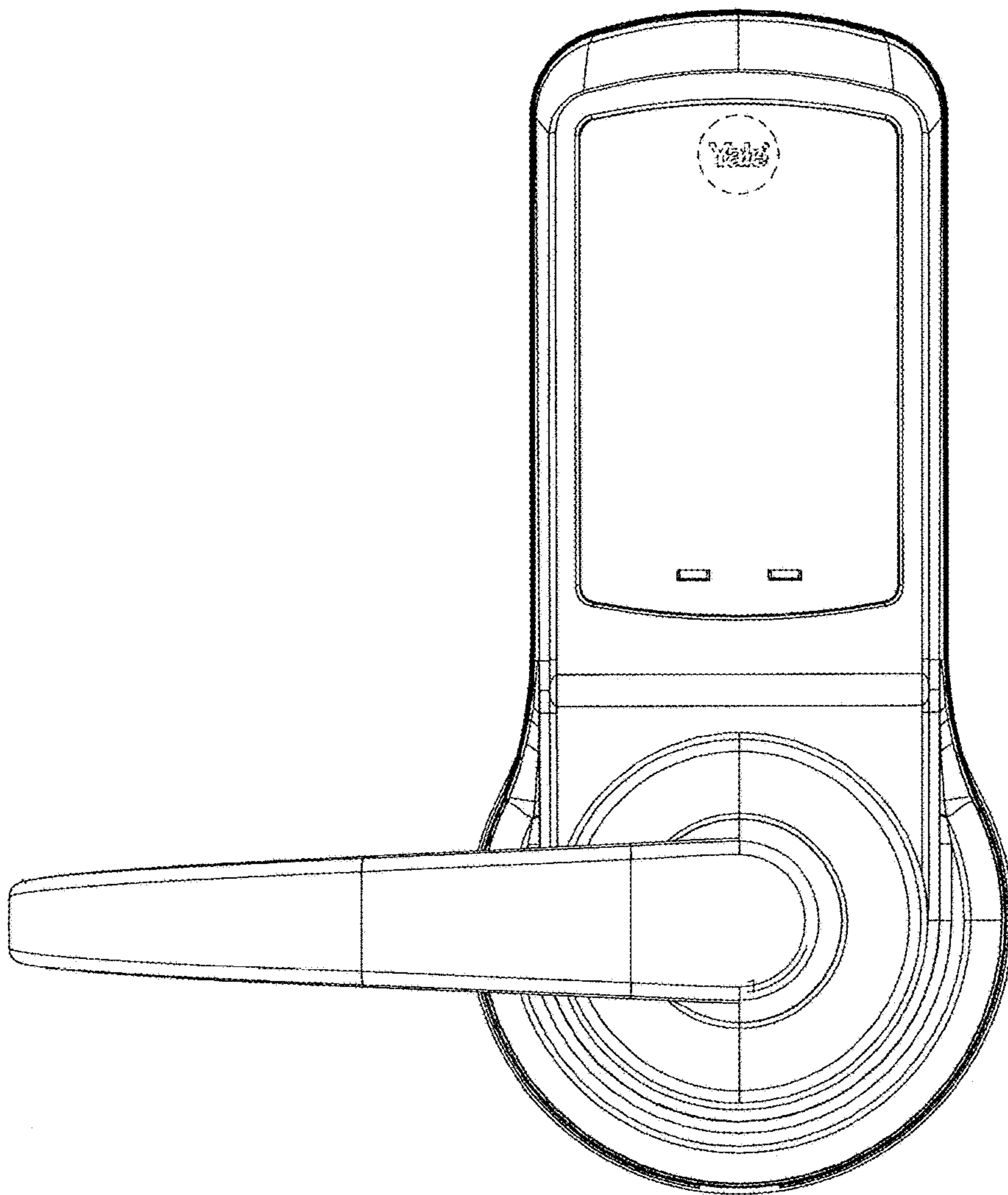


FIG. 4

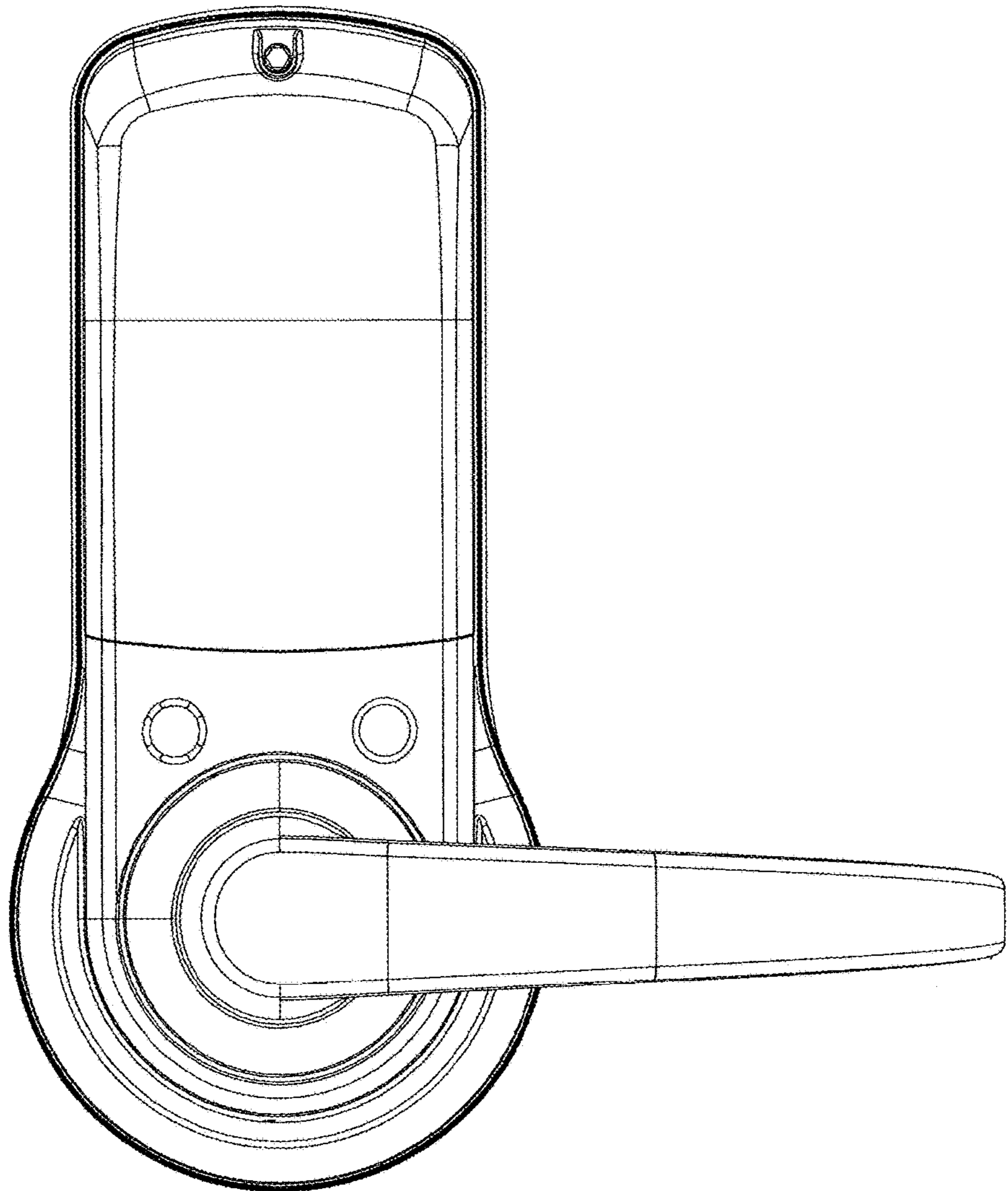


FIG. 5

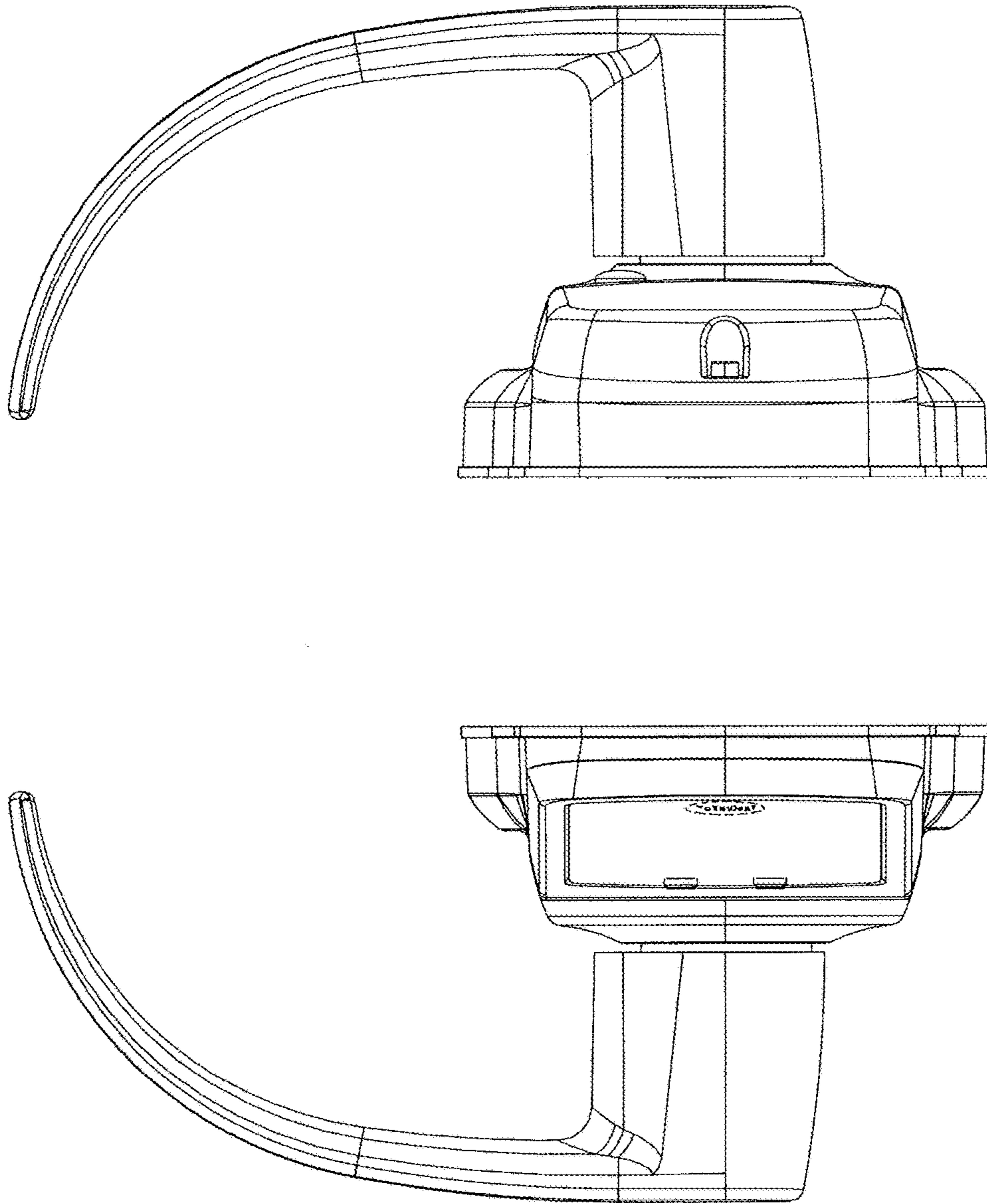


FIG. 6

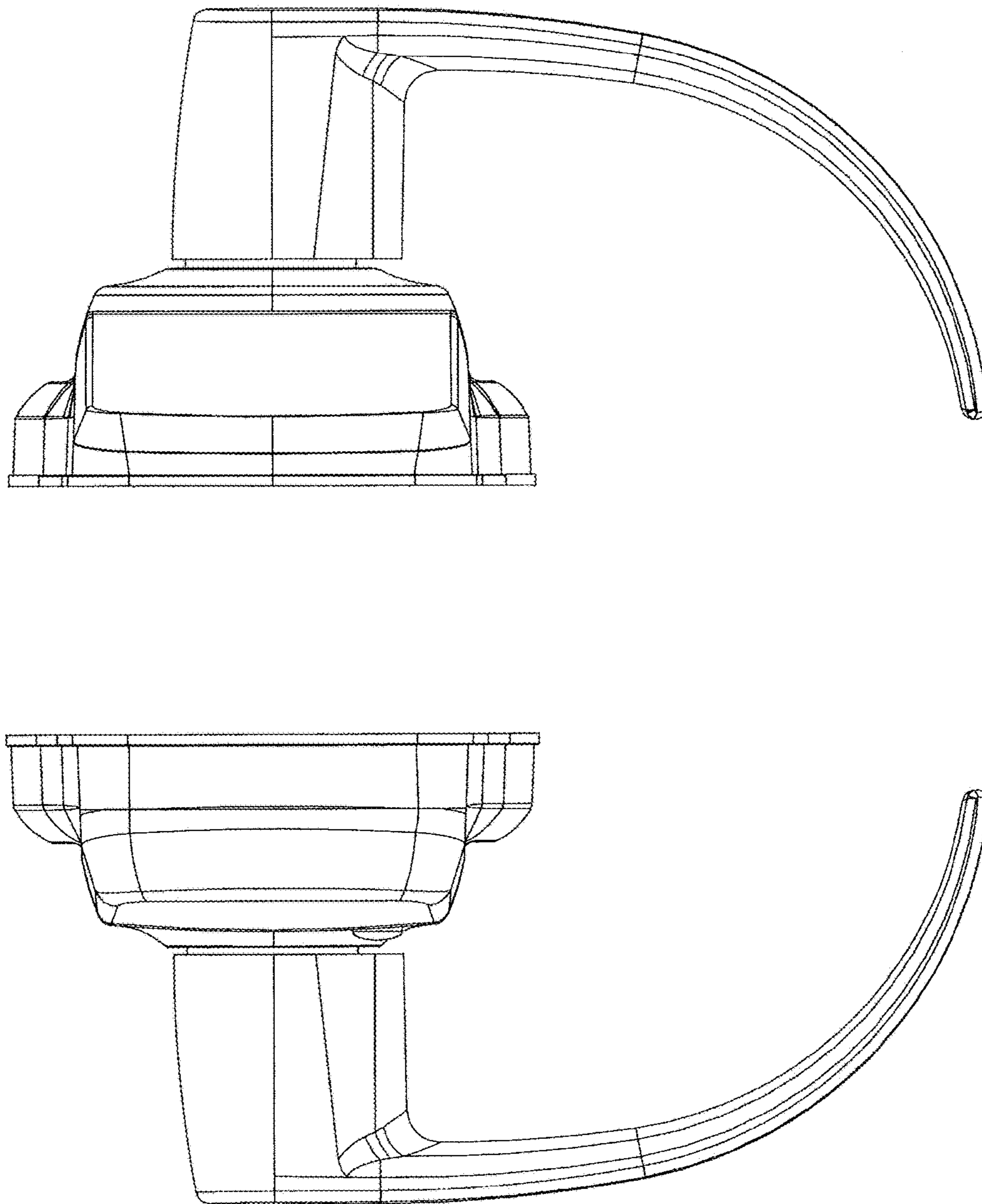


FIG. 7