



US00D840783S

(12) **United States Design Patent**
Tseng

(10) **Patent No.:** **US D840,783 S**

(45) **Date of Patent:** **** Feb. 19, 2019**

(54) **DOOR HANDLE**

85/12; E05B 85/10; E05B 7/00; E05B
1/0053; E05B 77/265

(71) Applicant: **TAIWAN FU HSING INDUSTRIAL
CO., LTD.**, Kaohsiung (TW)

See application file for complete search history.

(72) Inventor: **Pin-Jung Tseng**, Tainan (TW)

(56) **References Cited**

(73) Assignee: **Taiwan Fu Hsing Industrial Co., Ltd.**,
Kaohsiung (TW)

U.S. PATENT DOCUMENTS

(**) Term: **15 Years**

D85,770 S *	12/1931	Ruppel	D8/308
2,104,403 A *	1/1938	Roethel	E05B 3/06 292/356
D197,400 S *	1/1964	Patriquin	D8/302
D197,401 S *	1/1964	Maffei	D8/308
5,067,758 A *	11/1991	Fann	E05B 3/065 292/244
D328,852 S *	8/1992	Marques	D8/308
D329,008 S *	9/1992	Marques	D8/308
D329,009 S *	9/1992	Marques	D8/308
D363,872 S *	11/1995	Carsello	D8/308

(21) Appl. No.: **29/610,088**

(22) Filed: **Jul. 10, 2017**

(30) **Foreign Application Priority Data**

(Continued)

Jun. 9, 2017 (TW) 106303153

(51) **LOC (11) Cl.** **08-06**

FOREIGN PATENT DOCUMENTS

(52) **U.S. Cl.**
USPC **D8/308**

CN	302604730 S	10/2013
KR	300435874 S	1/2007

(58) **Field of Classification Search**

Primary Examiner — Lauren R Calve

USPC D8/300–302, 307–309, 310, 311,
D8/DIG. 10; D23/250, 252
CPC Y10T 16/44; Y10T 74/20612; Y10T
74/20732; Y10T 16/458; Y10T 16/498;
Y10T 16/469; Y10T 16/476; Y10T
74/20744; Y10T 74/20864; Y10T
16/4628; Y10T 74/20642; Y10T 16/473;
Y10T 74/20762; Y10T 74/2042; Y10T
74/20828; Y10T 16/459; Y10T 16/4713;
Y10T 74/2014; Y10T 16/50; Y10T
74/20438; Y10T 74/20582; Y10T
74/20738; Y10T 16/48; Y10T 74/20618;
Y10T 74/20684; Y10T 74/20624; Y10T
74/20468; Y10T 16/61; Y10T 16/4719;
Y10T 16/86; Y10S 16/30; Y10S 292/31;
Y10S 292/53; Y10S 16/12; Y10S 292/23;
Y10S 292/27; Y10S 292/30; Y10S
292/63; E05B 85/16; E05B 1/0015; E05B
77/06; E05B 79/06; E05B 85/18; E05B

(74) *Attorney, Agent, or Firm* — Rosenberg, Klein & Lee

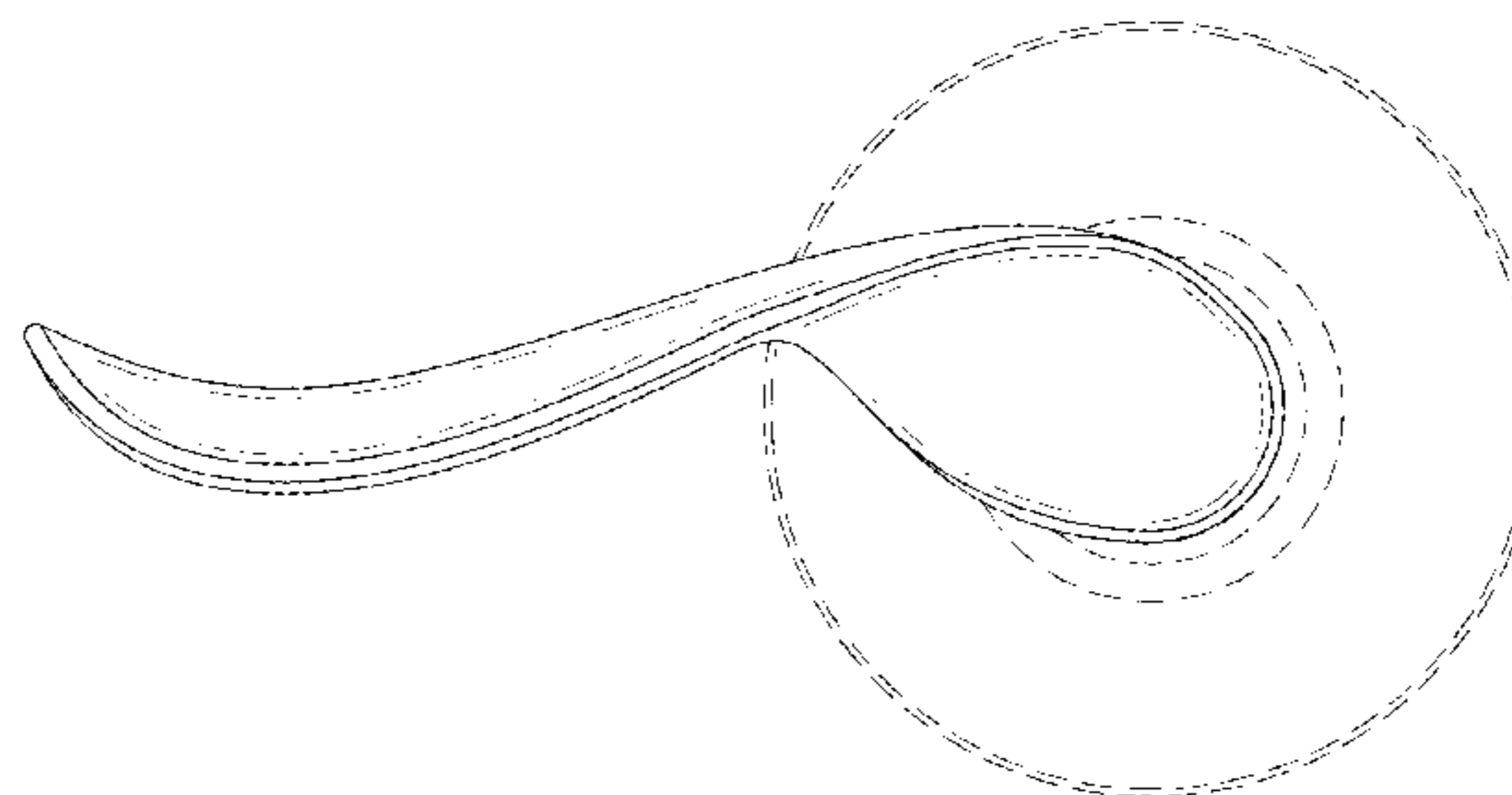
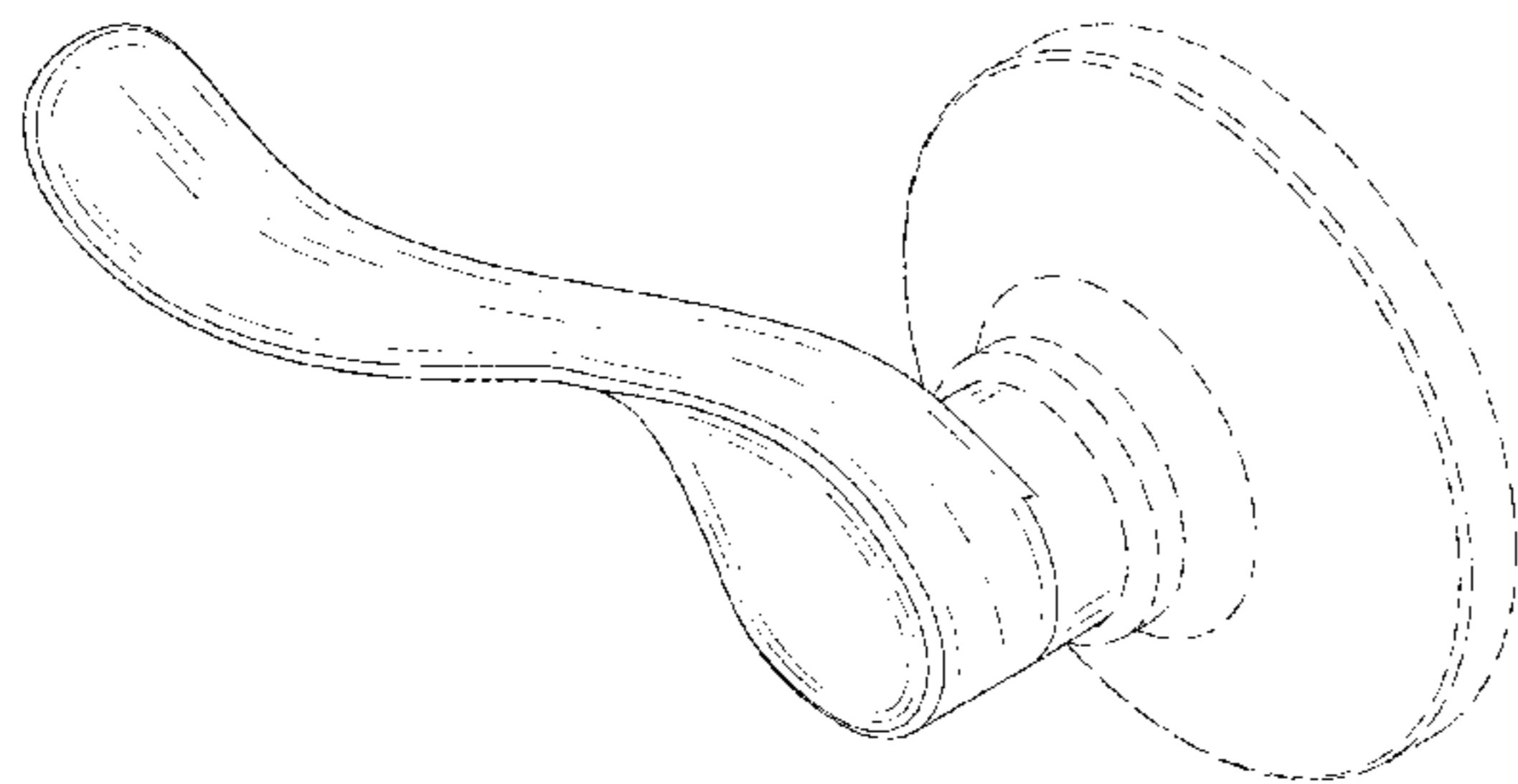
(57) **CLAIM**

The ornamental design for a door handle, as shown and described.

DESCRIPTION

FIG. 1 is a perspective view of a door handle showing my new design;
FIG. 2 is a front elevational view thereof;
FIG. 3 is a rear elevational view thereof;
FIG. 4 is a left side elevational view thereof;
FIG. 5 is a right side elevational view thereof;
FIG. 6 is a top plan view thereof; and,
FIG. 7 is a bottom plan view thereof.
Any broken line illustration of environmental structure in the drawing is not part of the design.

1 Claim, 7 Drawing Sheets



(56)

References Cited

U.S. PATENT DOCUMENTS

D366,409 S *	1/1996	Delaske	D8/308
D394,795 S *	6/1998	Diebel	D8/308
D467,155 S *	12/2002	Underhill	D8/308
D519,020 S *	4/2006	Gorkovenko	D8/307
D519,822 S *	5/2006	Kosasih	D8/308
D541,621 S *	5/2007	Schneider	D8/308
D543,827 S *	6/2007	Citterio	D8/308
D660,943 S *	5/2012	Georgeson	D23/252
D796,935 S *	9/2017	Groleski	D8/308
2005/0246866 A1 *	11/2005	Dalsing	E05B 3/003 16/412
2008/0111384 A1 *	5/2008	Ellis	E05B 3/065 292/336.3

* cited by examiner

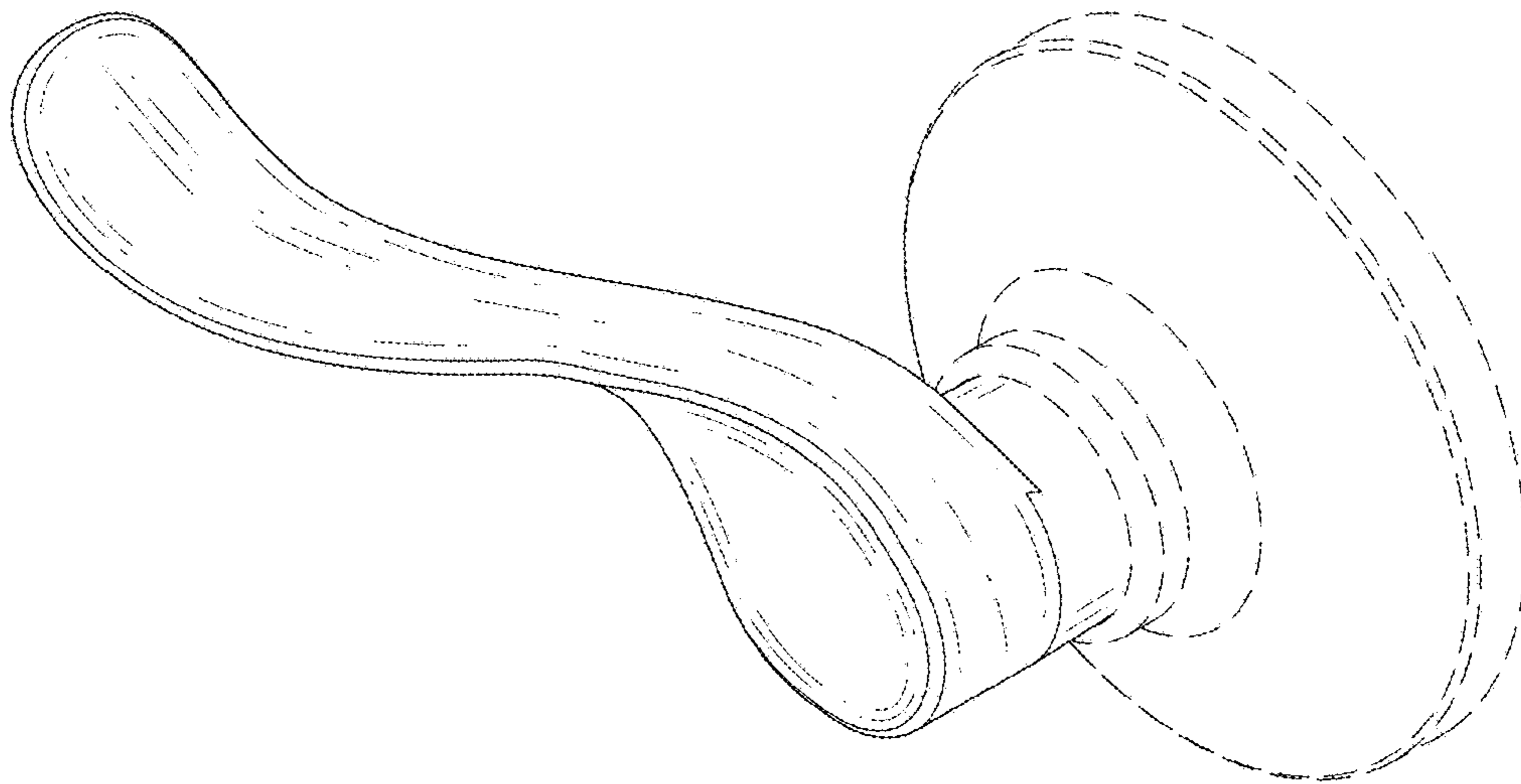


FIG.1

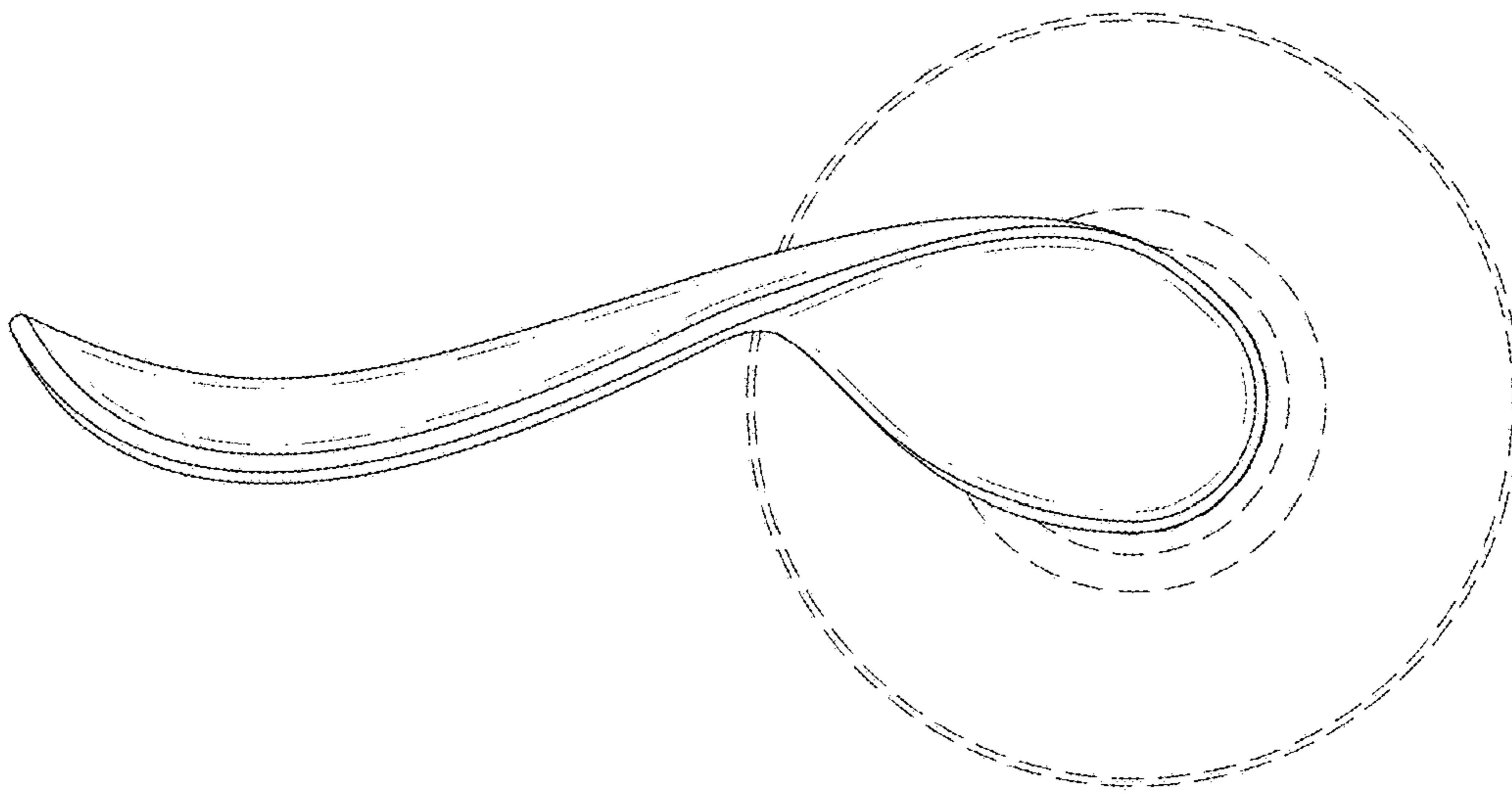


FIG.2

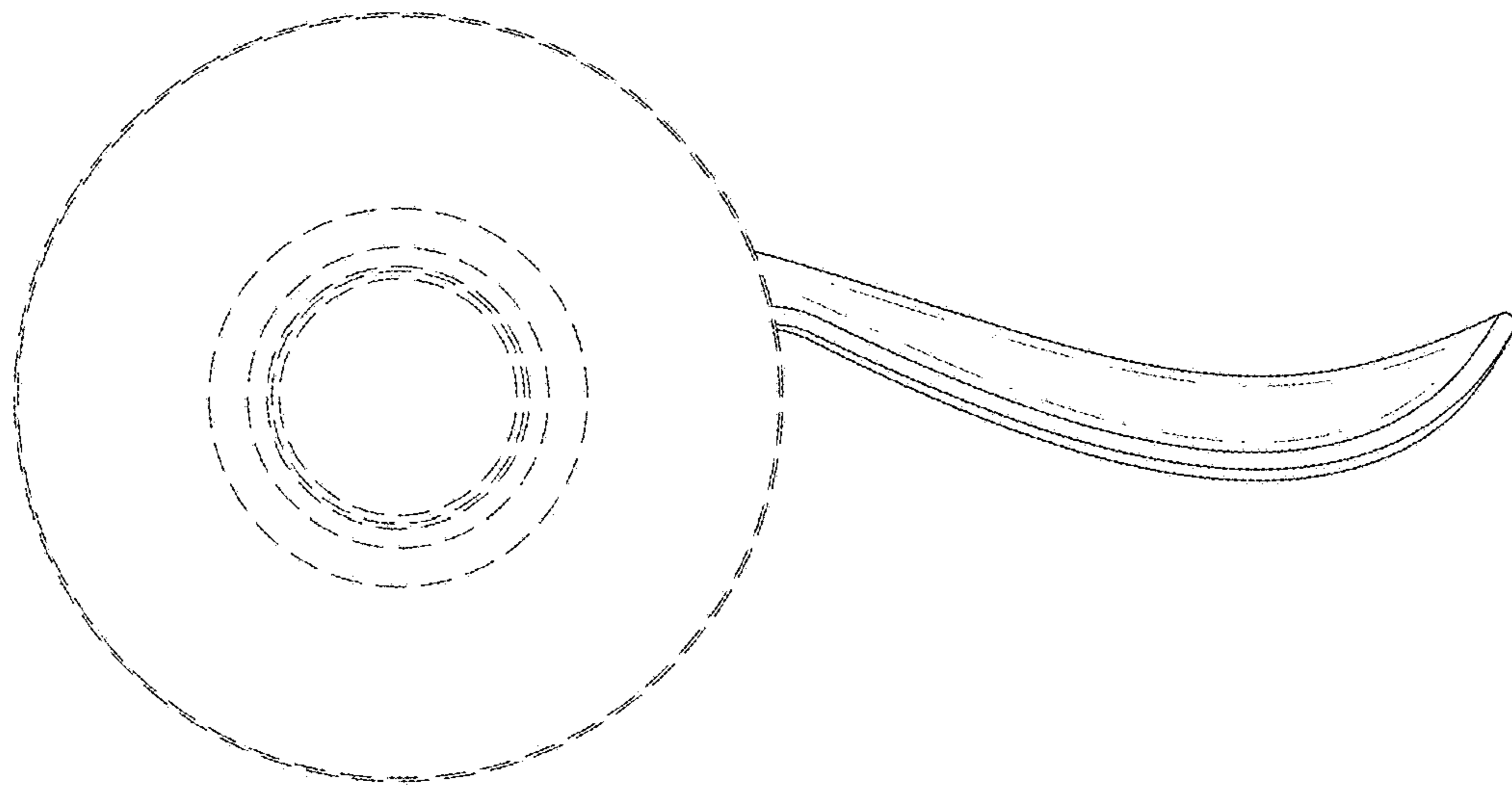


FIG.3

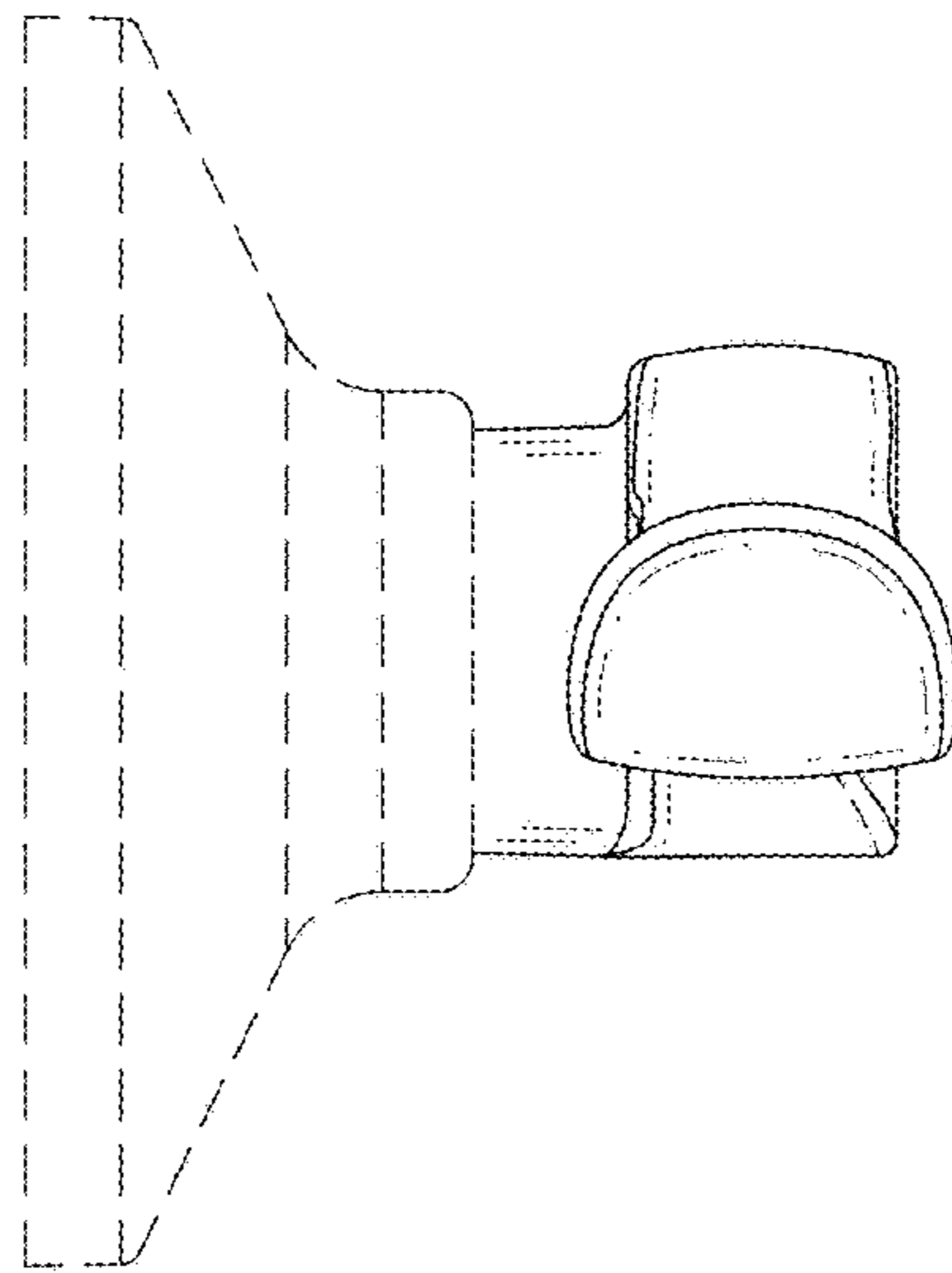


FIG.4

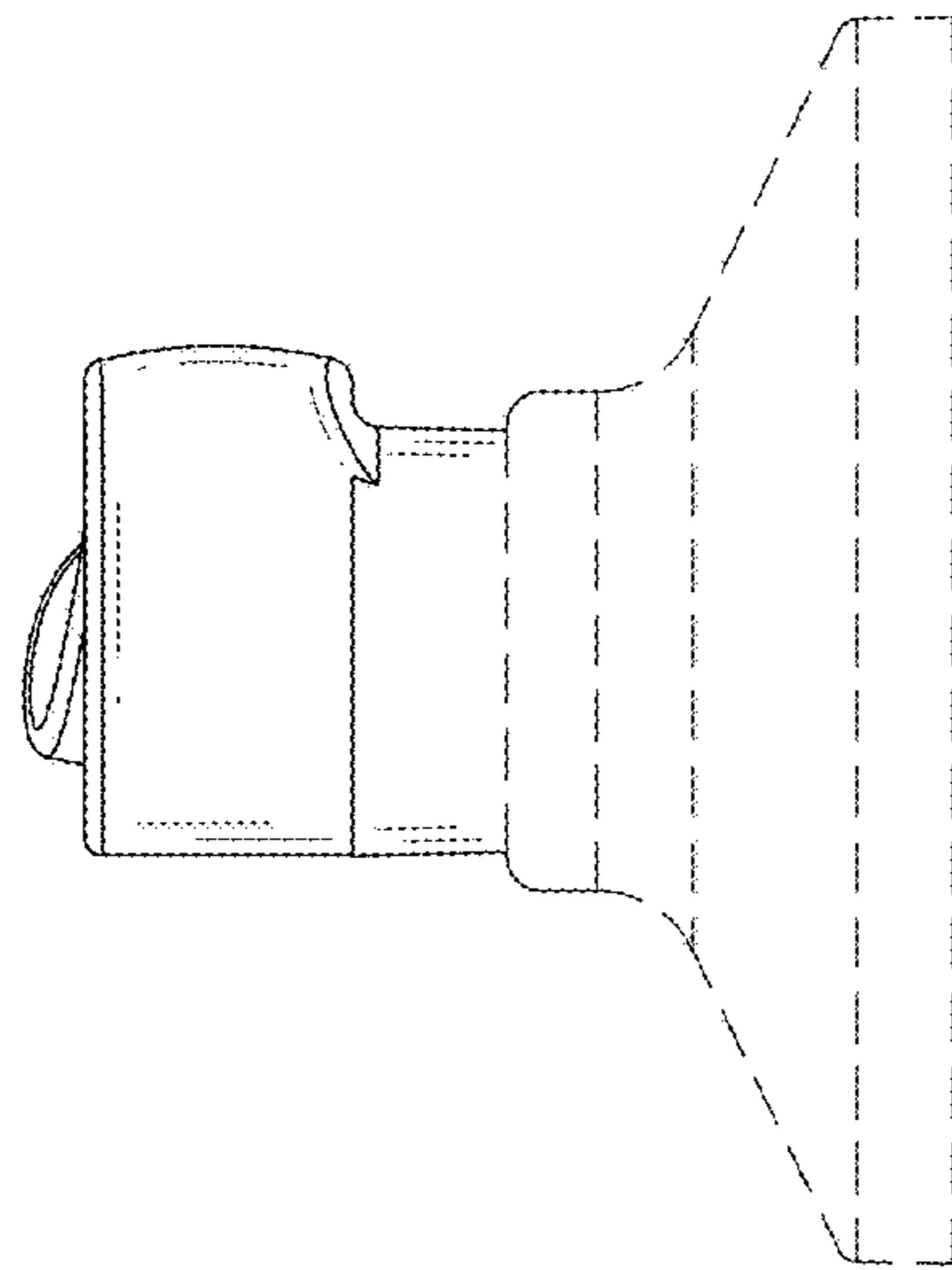


FIG.5

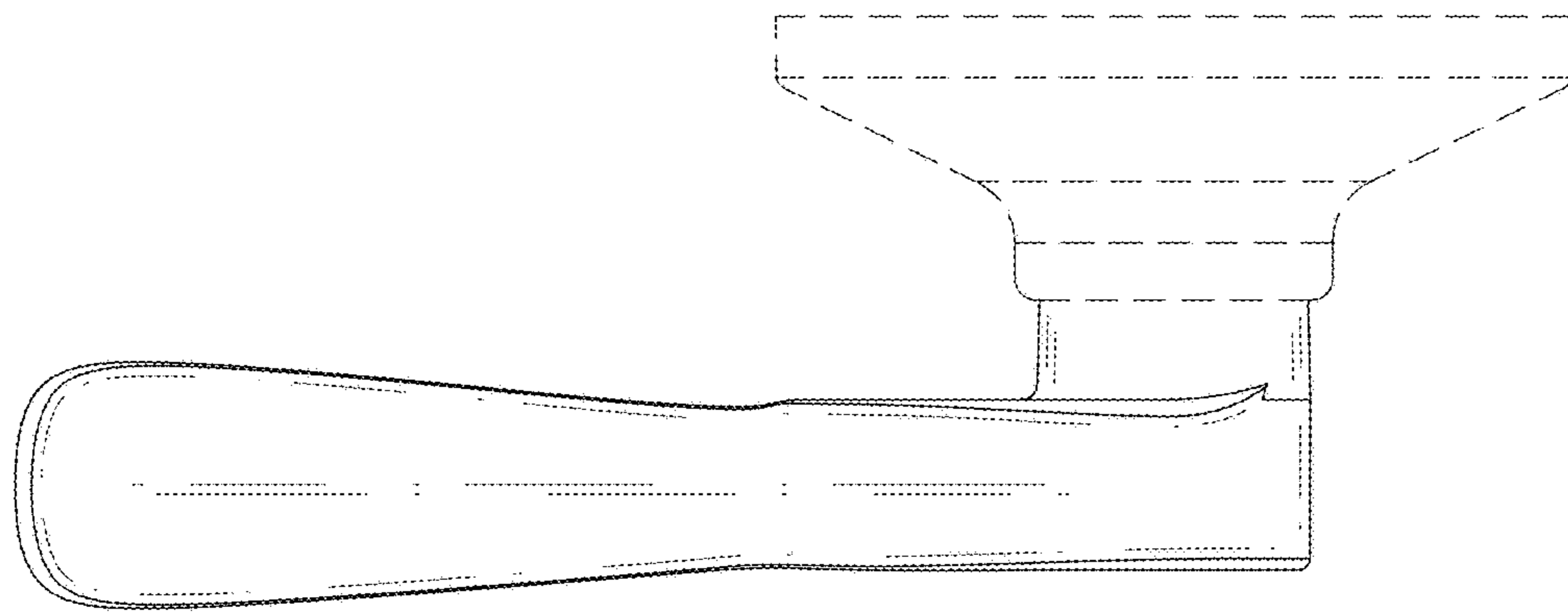


FIG.6

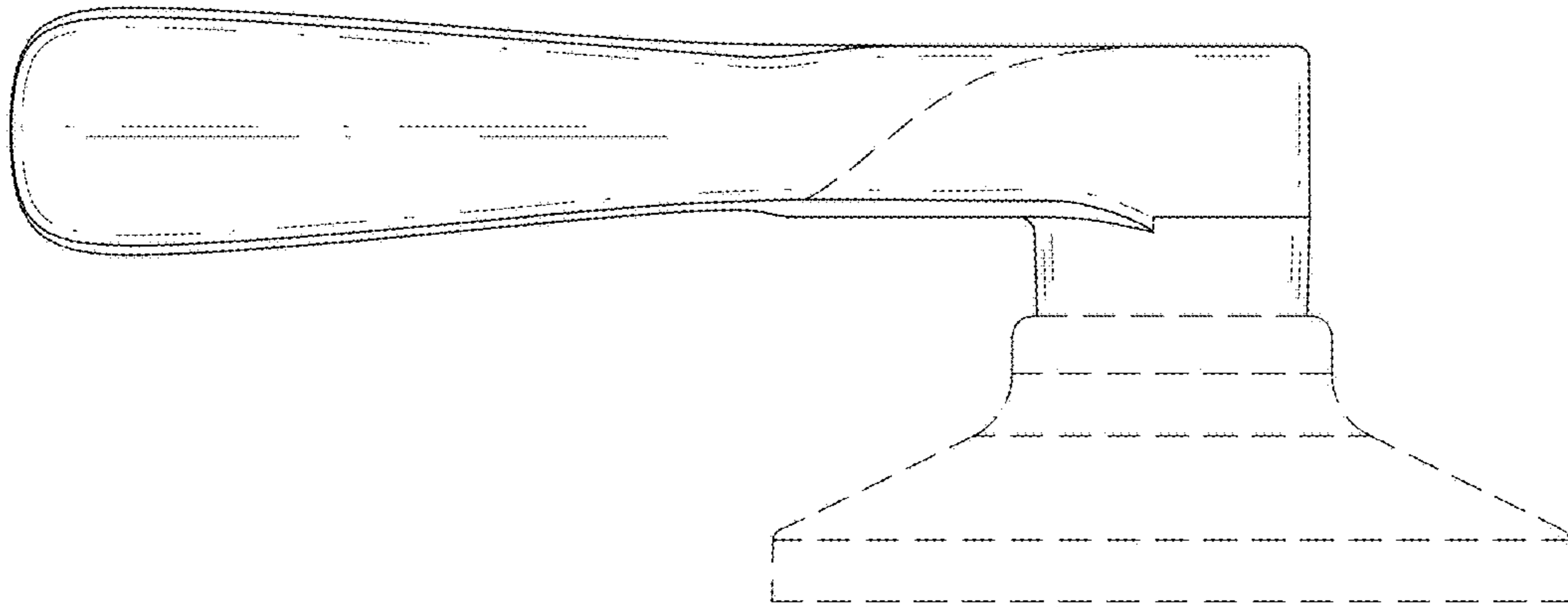


FIG. 7