



US00D840780S

(12) **United States Design Patent** (10) **Patent No.:** **US D840,780 S**  
**Pacheco, III et al.** (45) **Date of Patent:** **\*\* Feb. 19, 2019**

(54) **MULTI-PURPOSE FRAMING HAMMER** D595,555 S \* 7/2009 Vanderbeek ..... D8/81  
8,024,994 B2 9/2011 St. John  
8,117,702 B2 \* 2/2012 Woolley ..... B25F 1/00  
7/146  
D752,940 S \* 4/2016 Deng ..... D8/81  
D769,099 S \* 10/2016 Trice ..... D8/78  
9,670,042 B2 \* 6/2017 Liou ..... B66F 15/00  
D824,234 S \* 7/2018 Pacheco, III ..... D8/81

(\*\*) **Term:** **15 Years**

(21) **Appl. No.:** **29/617,173**

(22) **Filed:** **Sep. 12, 2017**

**Related U.S. Application Data**

(63) Continuation-in-part of application No. 29/605,237, filed on May 24, 2017, now Pat. No. Des. 824,234.

(51) **LOC (11) Cl.** ..... **08-02**

(52) **U.S. Cl.**  
USPC ..... **D8/81**

(58) **Field of Classification Search**  
USPC ... D8/14, 75, 76, 77, 78, 79, 80, 81, 88, 89, D8/105

CPC .... B25F 1/00; B25D 1/00; B25D 1/02; B25D 1/04; B25D 1/045; B25D 1/06; B25D 1/12; B66F 15/00; B25G 1/102  
See application file for complete search history.

(56) **References Cited**

**U.S. PATENT DOCUMENTS**

D300,111 S \* 3/1989 Square ..... D8/75  
D507,167 S \* 7/2005 Richardson ..... D8/105  
D562,101 S 2/2008 Martone  
D567,620 S \* 4/2008 Martone ..... D8/79  
D572,106 S \* 7/2008 Chen ..... D8/81  
D577,274 S \* 9/2008 Chen ..... D8/81  
D588,894 S \* 3/2009 Chen ..... D8/81

**OTHER PUBLICATIONS**

Photographs of a prototype of the subject invention shown next to Stanley Demolition Utility Tool purchased by Applicant on or about Mar. 30, 2017.

\* cited by examiner

*Primary Examiner* — Philip S Hyder

(74) *Attorney, Agent, or Firm* — Amster, Rothstein & Ebenstein LLP

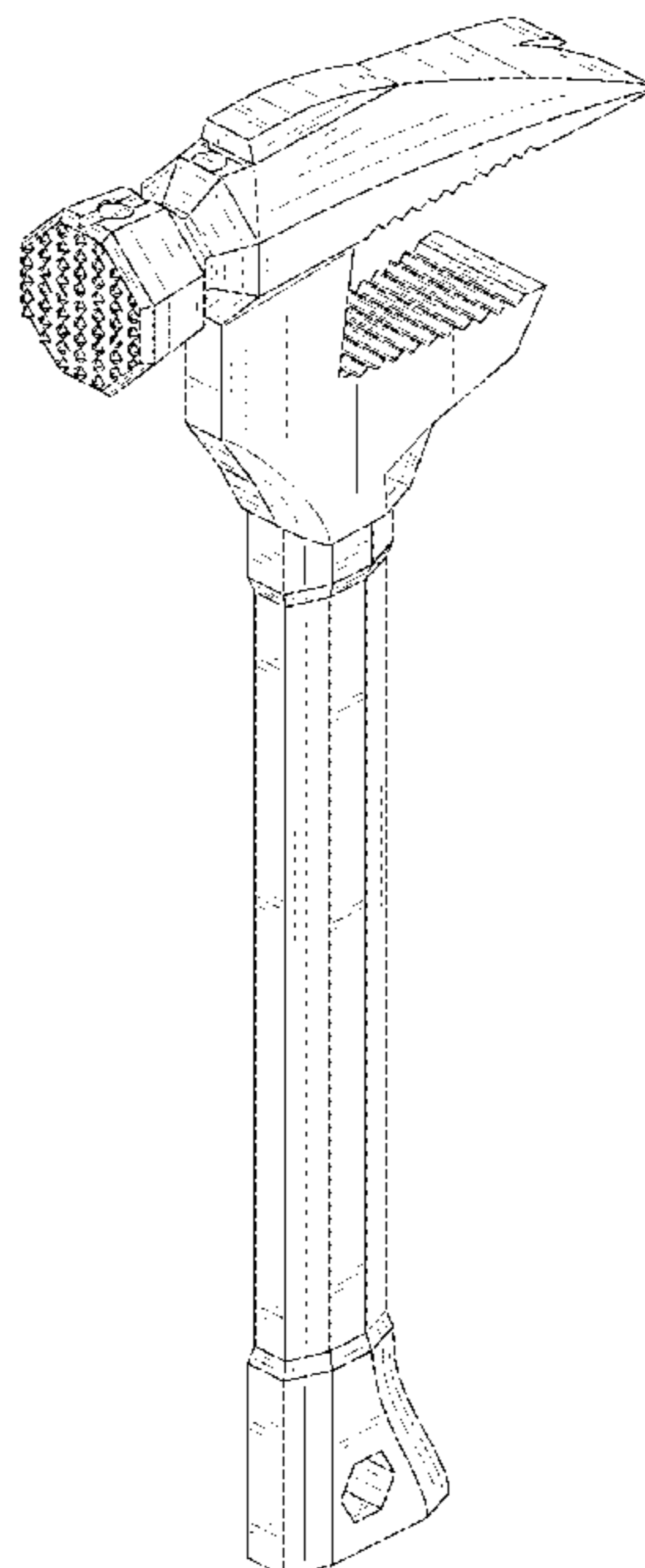
(57) **CLAIM**

The ornamental design for a multi purpose framing hammer, substantially as shown and described.

**DESCRIPTION**

FIG. 1 is a right side front elevational perspective view of a multi purpose framing hammer showing our new design; FIG. 2 is a front elevational view thereof; FIG. 3 is a rear elevational view thereof; FIG. 4 is a left side elevational view thereof; FIG. 5 is a right side elevational view thereof; FIG. 6 is a top plan view thereof; and, FIG. 7 is bottom plan view thereof.

**1 Claim, 5 Drawing Sheets**



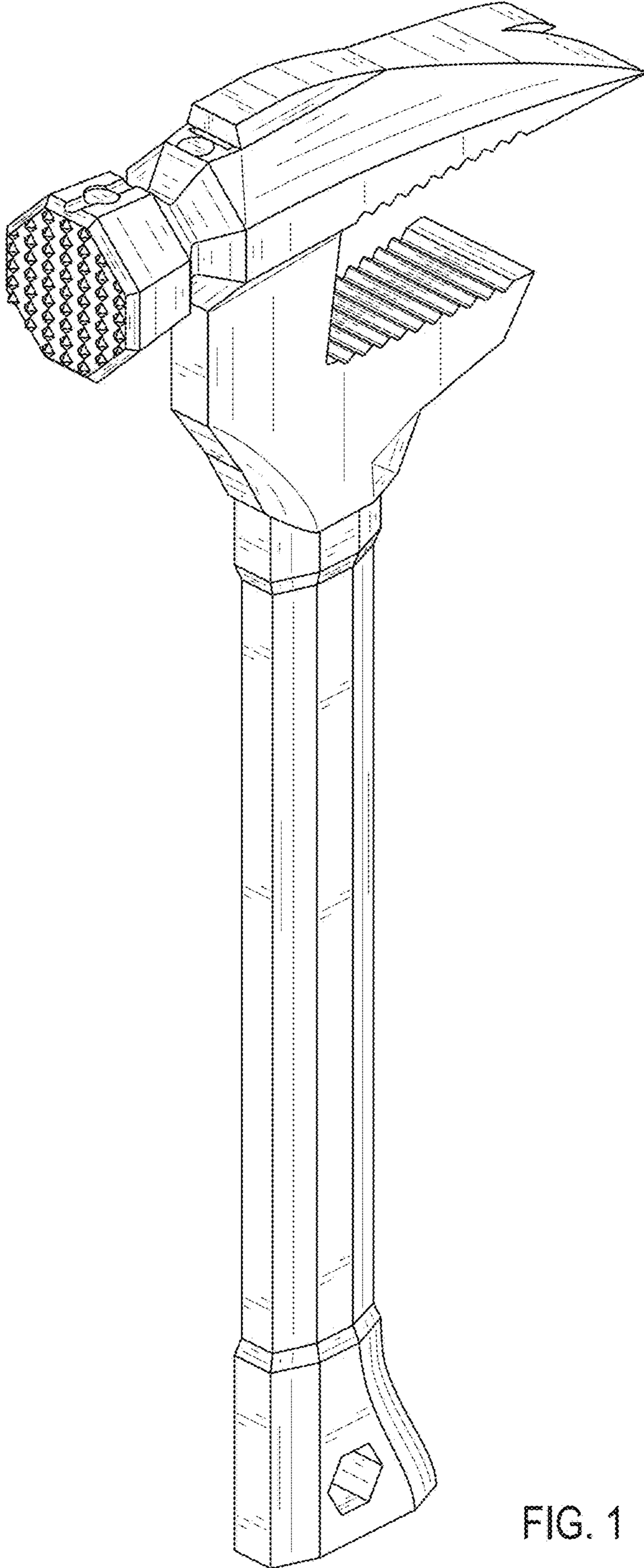


FIG. 1

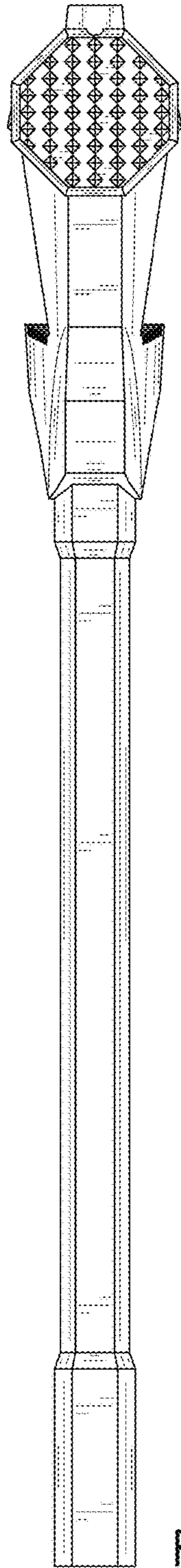


FIG. 2

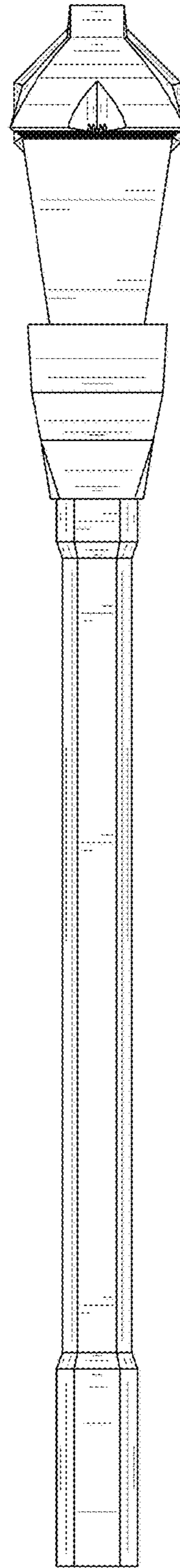


FIG. 3

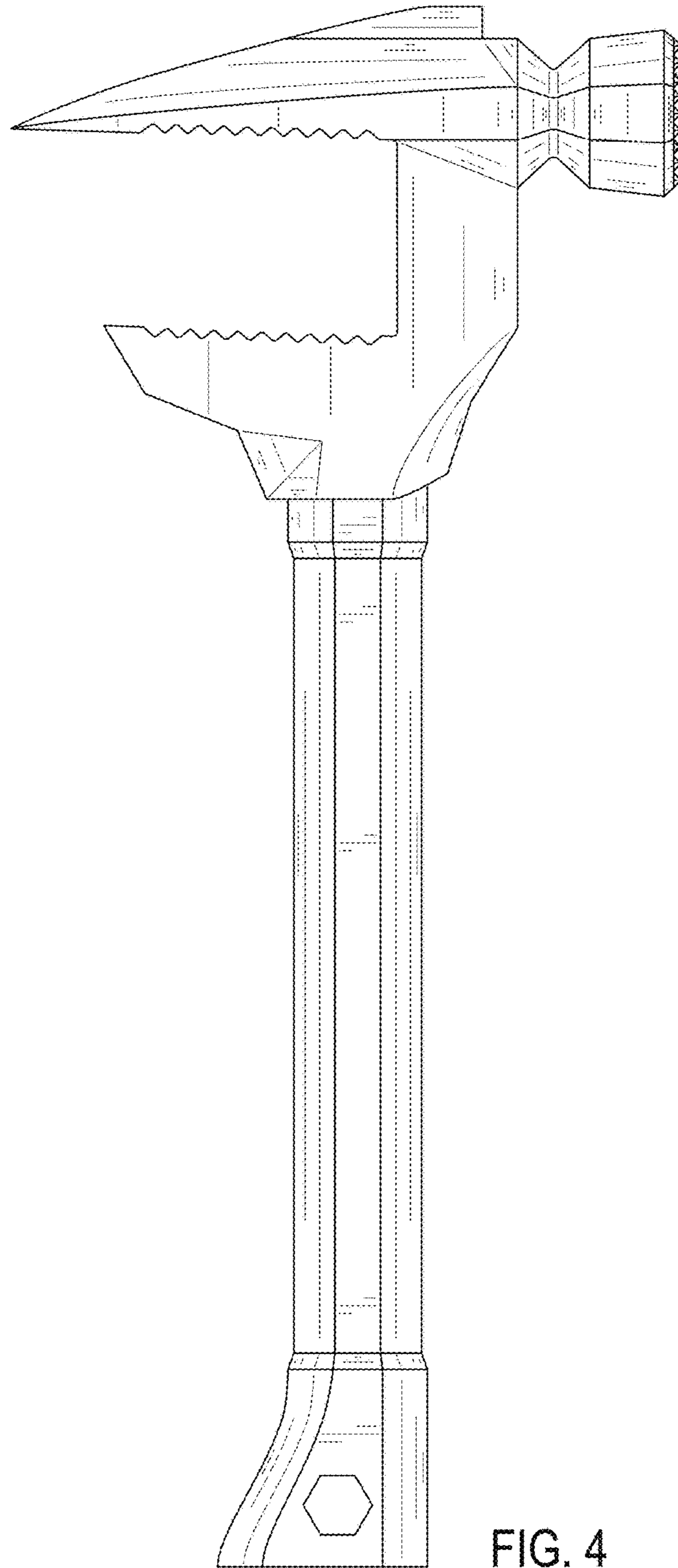


FIG. 4

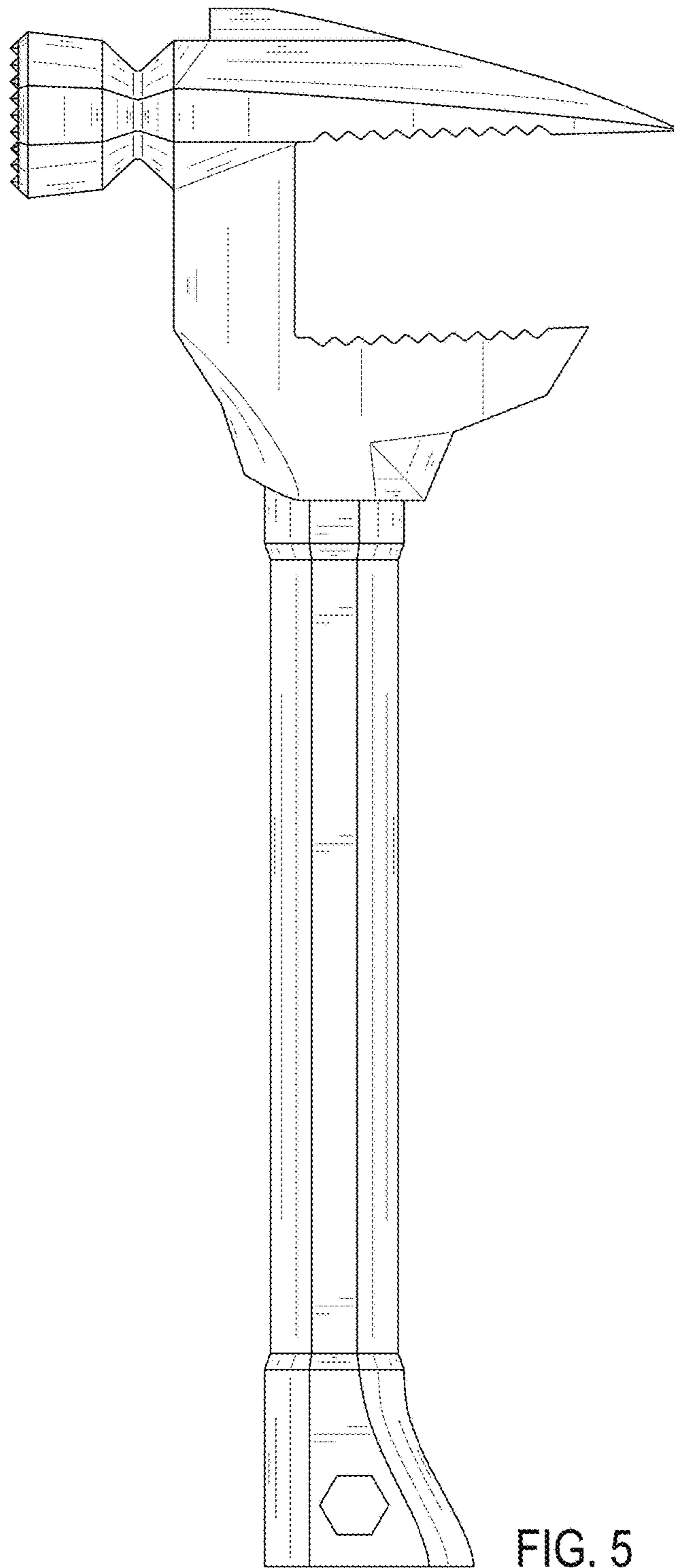


FIG. 5

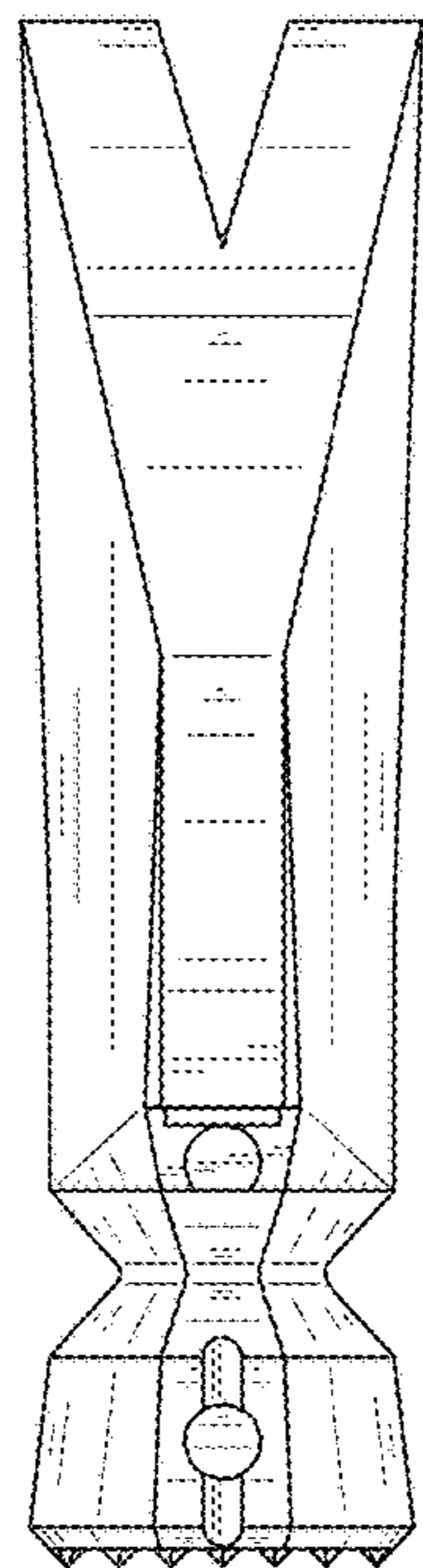


FIG. 6

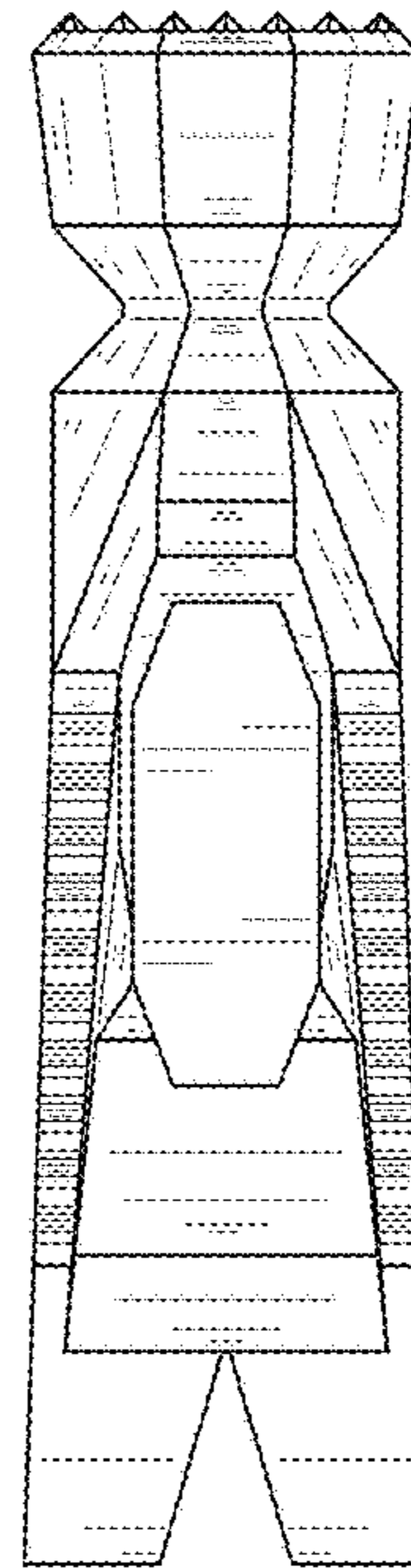


FIG. 7