

US00D840779S

(12) **United States Design Patent**
Votel et al.

(10) **Patent No.:** **US D840,779 S**

(45) **Date of Patent:** **** Feb. 19, 2019**

(54) **ANCHOR POINT FOR A GRINDER**

(71) Applicant: **Tenacious Holdings, Inc.**, St. Paul, MN (US)

(72) Inventors: **Thomas Votel**, Sunfish Lake, MN (US); **Ian Forte**, Crystal, MN (US); **Nathan Bohmbach**, Lakeville, MN (US); **Paul Goudreau**, Edina, MN (US)

(73) Assignee: **Tenacious Holdings, Inc.**, St. Paul, MN (US)

(**) Term: **15 Years**

(21) Appl. No.: **29/616,700**

(22) Filed: **Sep. 7, 2017**

(51) **LOC (11) Cl.** **08-05**

(52) **U.S. Cl.**
USPC **D8/72**

(58) **Field of Classification Search**
USPC D8/71-74, 394-399, 59; 248/63, 72, 248/74.1, 689, 124.2; 81/487, 385, 386, 81/388-390; 269/3, 4, 6, 143, 165, 240, 269/243, 246-249, 254 R, 147-149; 29/256, 257, 276; 408/103, 104-109
CPC B25B 1/00; B25B 5/00
See application file for complete search history.

(56) **References Cited**

U.S. PATENT DOCUMENTS

D266,144 S * 9/1982 Wallace D8/354
D339,521 S * 9/1993 Bartlett D11/212

D394,454 S * 5/1998 Williams D19/34
D399,730 S * 10/1998 Pitre D8/399
D532,291 S * 11/2006 Geers D8/394
7,722,019 B2 * 5/2010 Losi, Jr. B25B 11/00
269/100
D618,992 S * 7/2010 Rix D8/354
D641,607 S * 7/2011 Chambers D8/373
D693,668 S * 11/2013 Wojtowicz D8/394
D763,674 S * 8/2016 Nagaki D8/394
D769,111 S * 10/2016 Kamiya D8/394
D779,299 S * 2/2017 Foxx D8/72
D809,375 S * 2/2018 Wyser D8/395

* cited by examiner

Primary Examiner — David G Muller

(74) *Attorney, Agent, or Firm* — Skaar Ulbrich Macari, P.A.

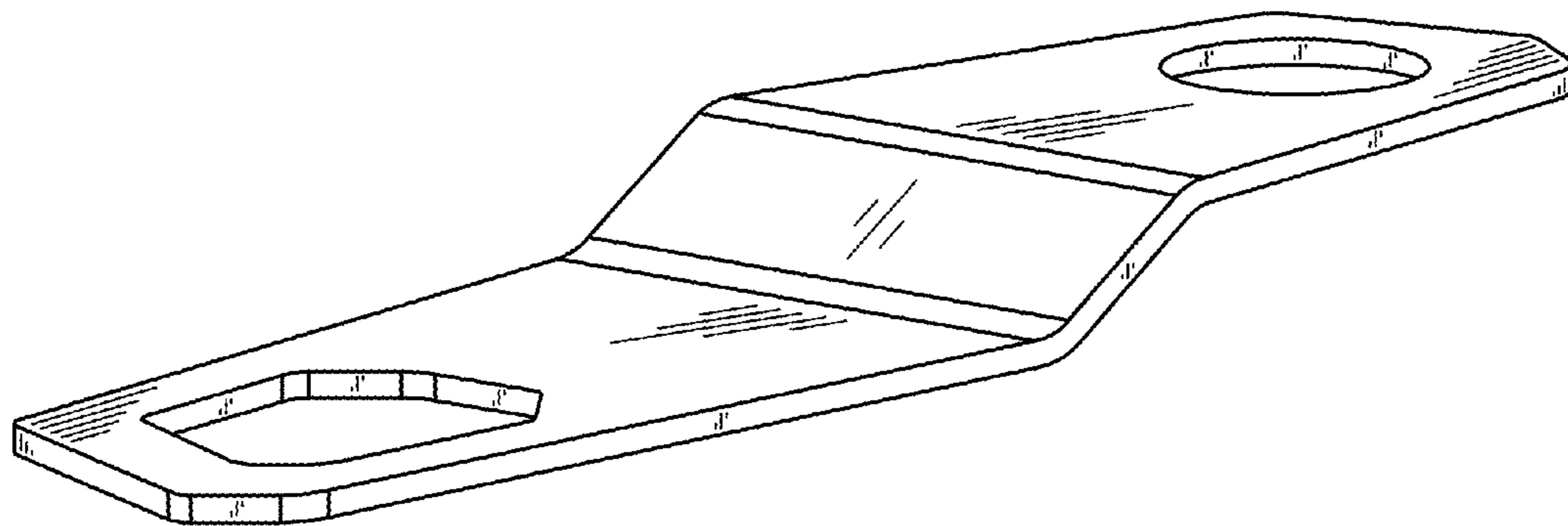
(57) **CLAIM**

The ornamental design for an anchor point for a grinder, as shown and described.

DESCRIPTION

FIG. 1 is a perspective view of an anchor point for a grinder showing our new design;
FIG. 2 is a front elevation view thereof;
FIG. 3 is a rear elevation view thereof;
FIG. 4 is a left side elevation view thereof;
FIG. 5 is a right side elevation view thereof;
FIG. 6 is a top plan view thereof;
FIG. 7 is a bottom plan view thereof; and,
FIG. 8 is a perspective view thereof attached to a grinder.
The features shown in broken lines depict environmental structure only and form no part of the claimed design.

1 Claim, 6 Drawing Sheets



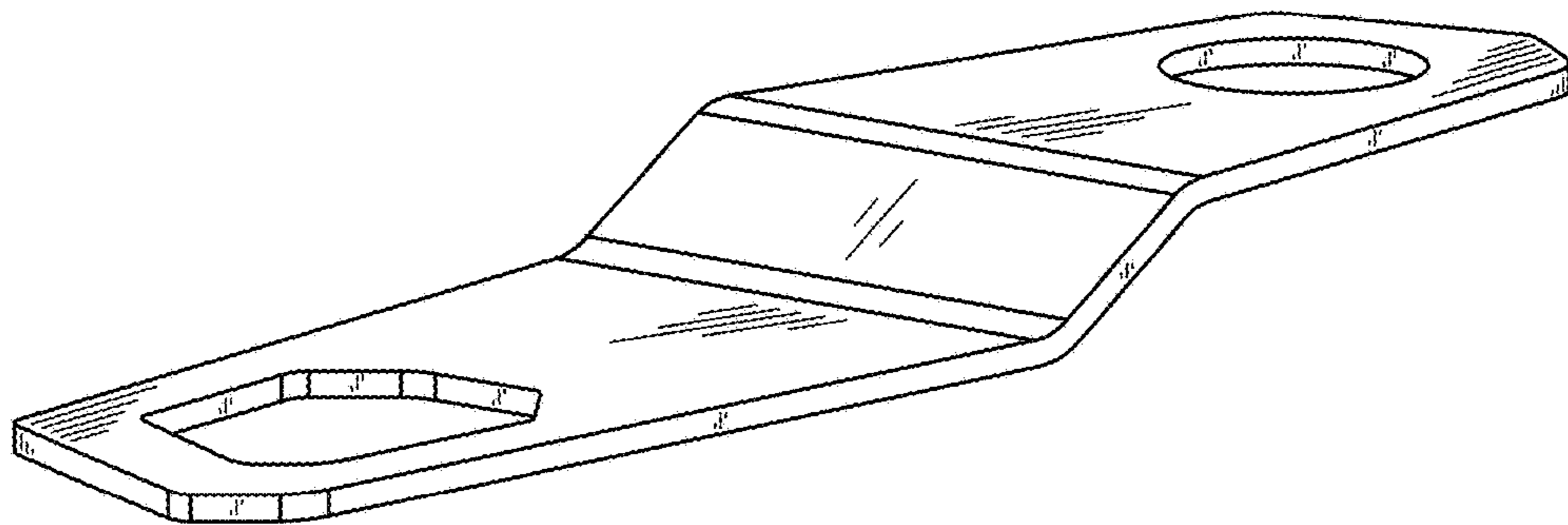


FIG. 1

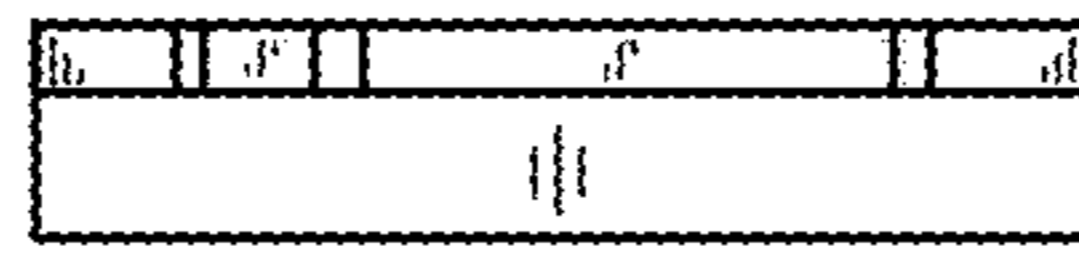


FIG. 2

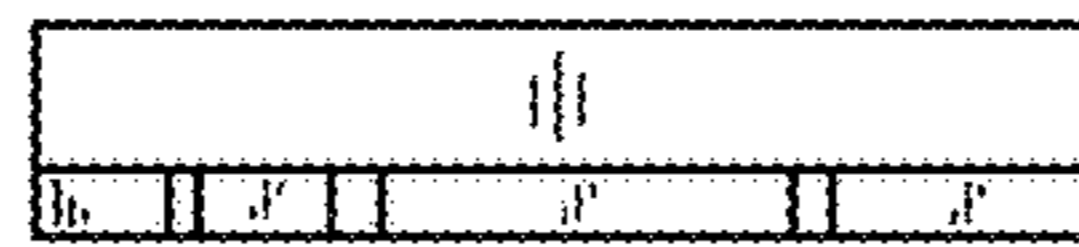


FIG. 3



FIG. 4



FIG. 5

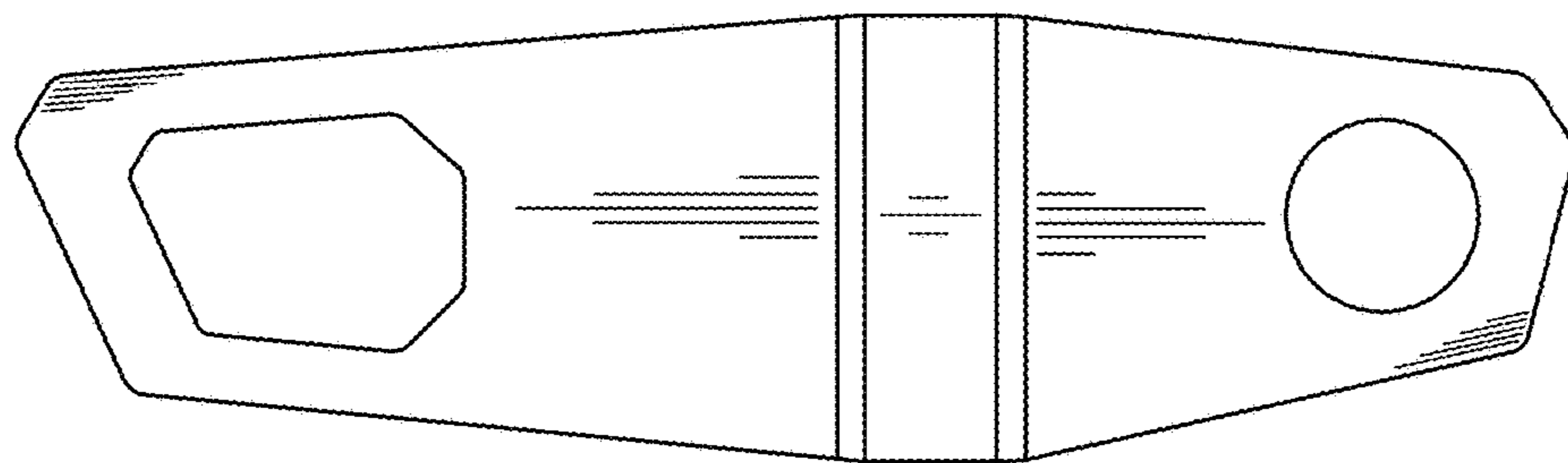


FIG. 6

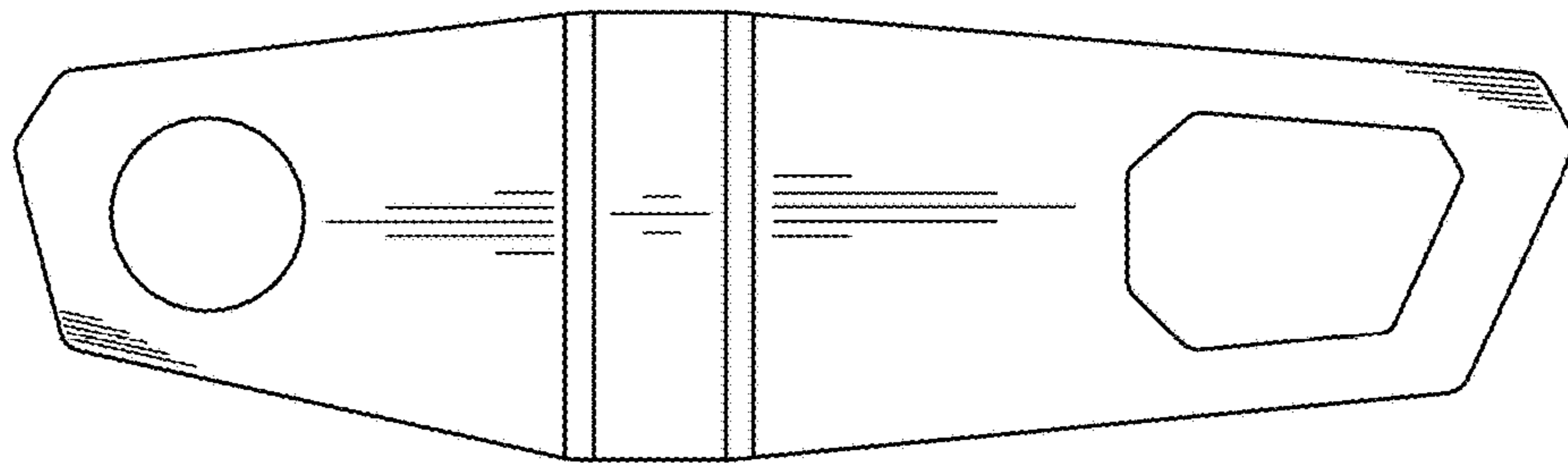


FIG. 7

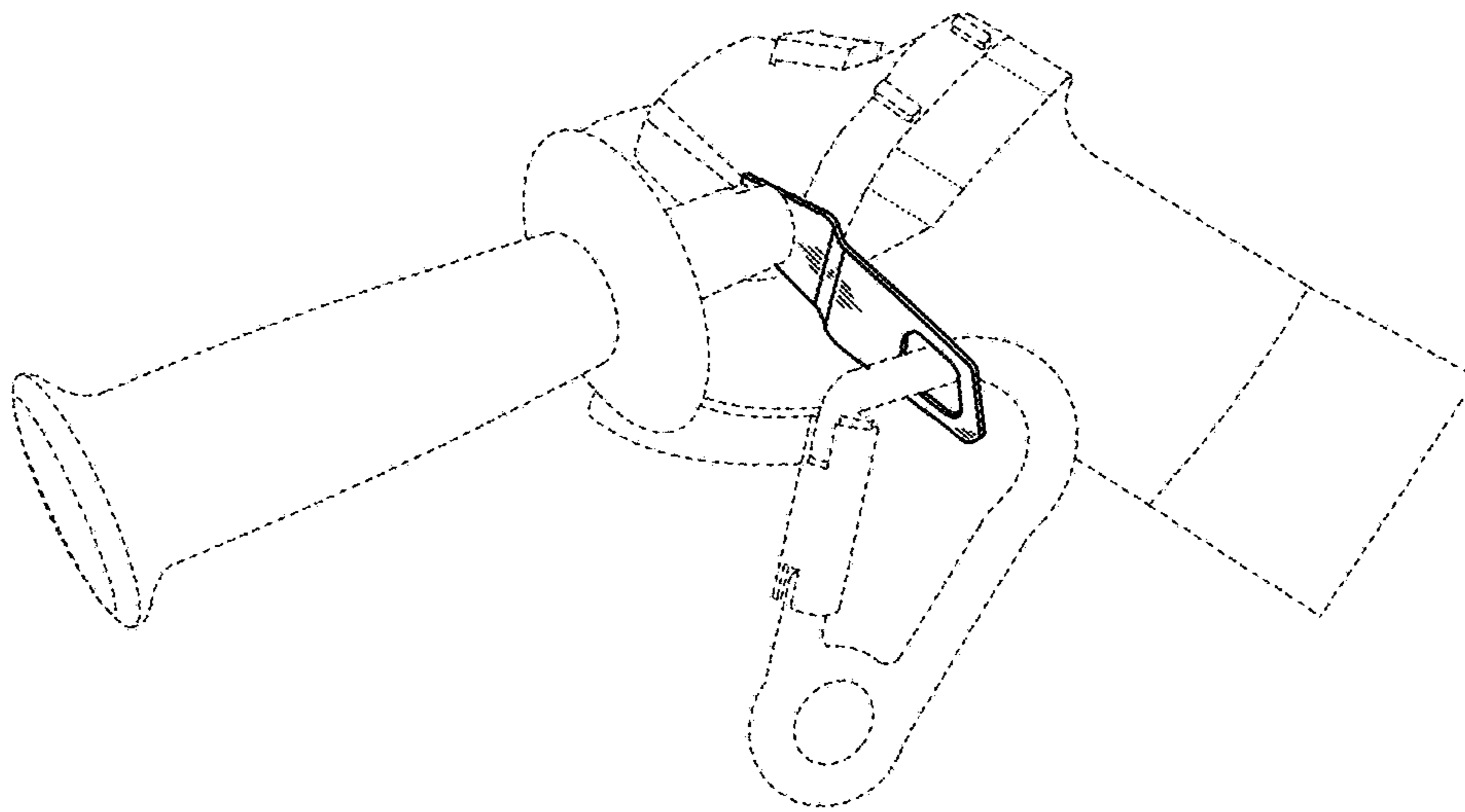


FIG. 8