



US00D840778S

(12) **United States Design Patent**
Waldron

(10) **Patent No.:** **US D840,778 S**

(45) **Date of Patent:** **** Feb. 19, 2019**

(54) **12V DRILL**

(71) Applicant: **NINE HKG Limited, Wachai (HK)**

(72) Inventor: **Michael Waldron, Dunnington (GB)**

(73) Assignee: **NINE HKG Limited, Wachai (HK)**

(**) Term: **15 Years**

(21) Appl. No.: **29/621,866**

(22) Filed: **Oct. 12, 2017**

(51) **LOC (11) Cl.** **08-05**

(52) **U.S. Cl.**
USPC **D8/68**

(58) **Field of Classification Search**
USPC D8/61, 67, 68; 81/57, 57.11, 57.14,
81/57.26, 429, 464, 469; 173/2, 170, 176
CPC B62D 23/005; B62D 29/00; B62D 29/043;
B62D 31/00; B62D 33/046; B62D 35/00;
B62D 35/001; B60Q 1/0005
See application file for complete search history.

(56) **References Cited**

U.S. PATENT DOCUMENTS

D392,863 S	*	3/1998	Sugimoto	D8/68
D477,205 S	*	7/2003	Sakai	D8/68
D489,955 S	*	5/2004	Concari	D8/68
D493,344 S	*	7/2004	Watson	D8/68
D499,945 S	*	12/2004	Sugawara	D8/68
D508,642 S	*	8/2005	Kokawa	D8/68

D512,891 S	*	12/2005	Aglassinger	D8/68
D515,375 S	*	2/2006	Tsang	D8/68
D533,423 S	*	12/2006	Ino	D8/68
D578,854 S	*	10/2008	Lopano	D8/68
D579,743 S	*	11/2008	Lopano	D8/68
D584,123 S	*	1/2009	Lopano	D8/68
D614,468 S	*	4/2010	Aglassinger	D8/68
D617,622 S	*	6/2010	Lopano	D8/68
D644,494 S	*	9/2011	Lopano	D8/68
D656,804 S	*	4/2012	Murray	D8/68
D691,444 S	*	10/2013	Tirone	D8/68
D700,822 S	*	3/2014	Tschopp	D8/68
D820,656 S	*	6/2018	Waldron	D8/68

* cited by examiner

Primary Examiner — Austin Murphy

(74) *Attorney, Agent, or Firm* — Woodard, Emhardt,
Moriarty, McNett & Henry, LLP

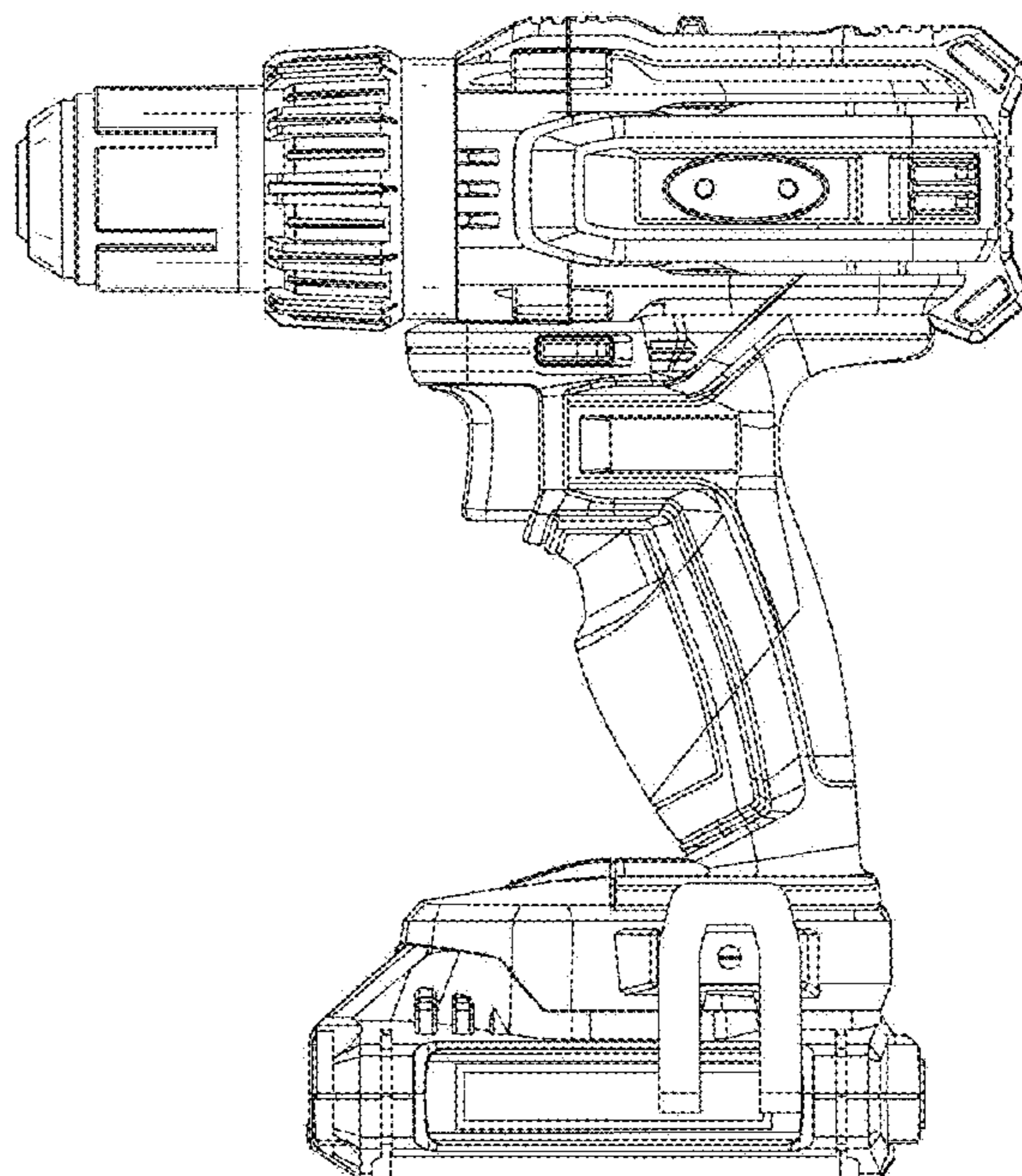
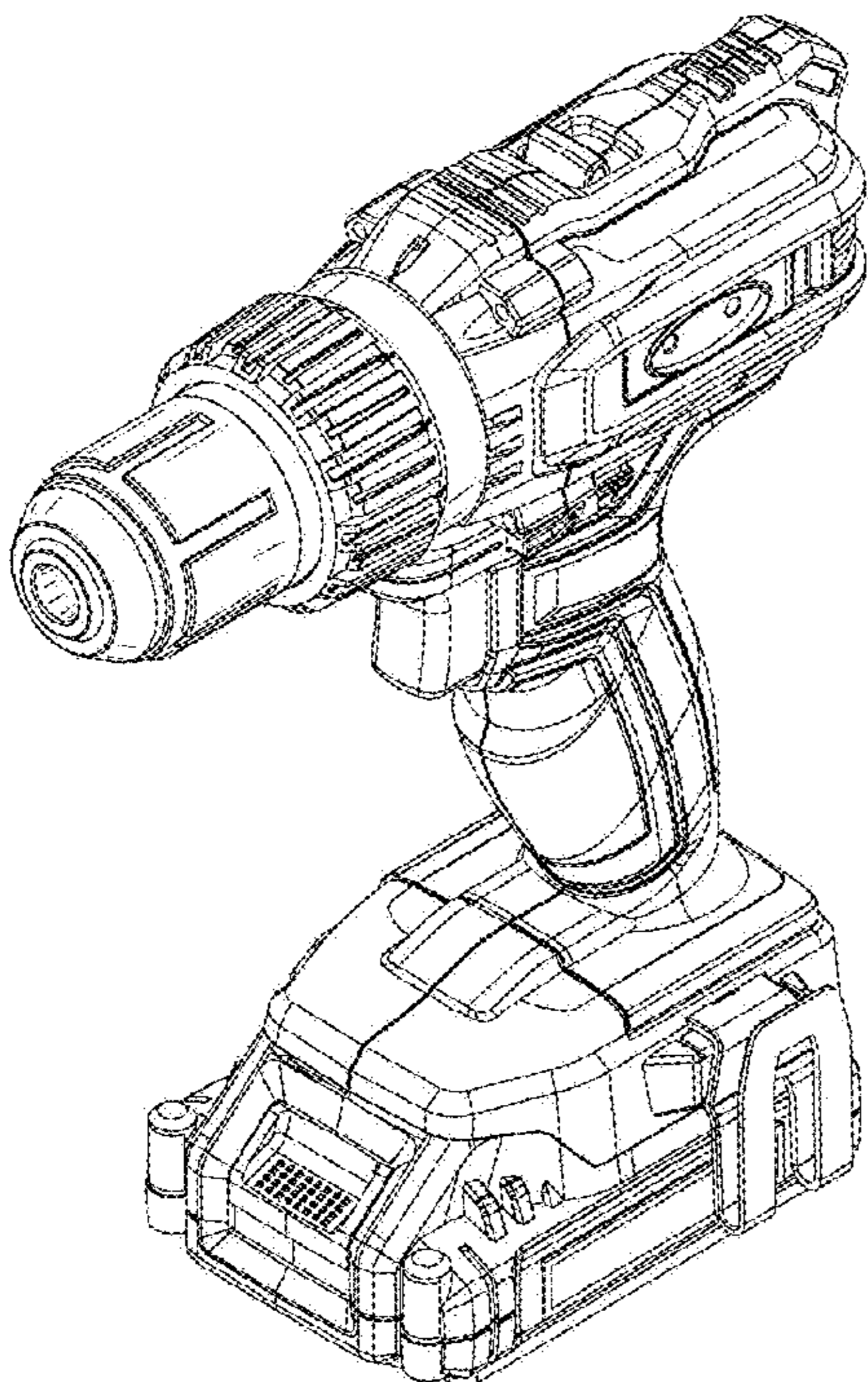
(57) **CLAIM**

The ornamental design for a 12V drill, as shown and described.

DESCRIPTION

FIG. 1 is a perspective view of the 12V drill showing my new design;
FIG. 2 is a right view thereof;
FIG. 3 is a left view thereof;
FIG. 4 is a rear view thereof;
FIG. 5 is a front view thereof
FIG. 6 is a top view thereof; and,
FIG. 7 is a bottom view thereof.

1 Claim, 5 Drawing Sheets



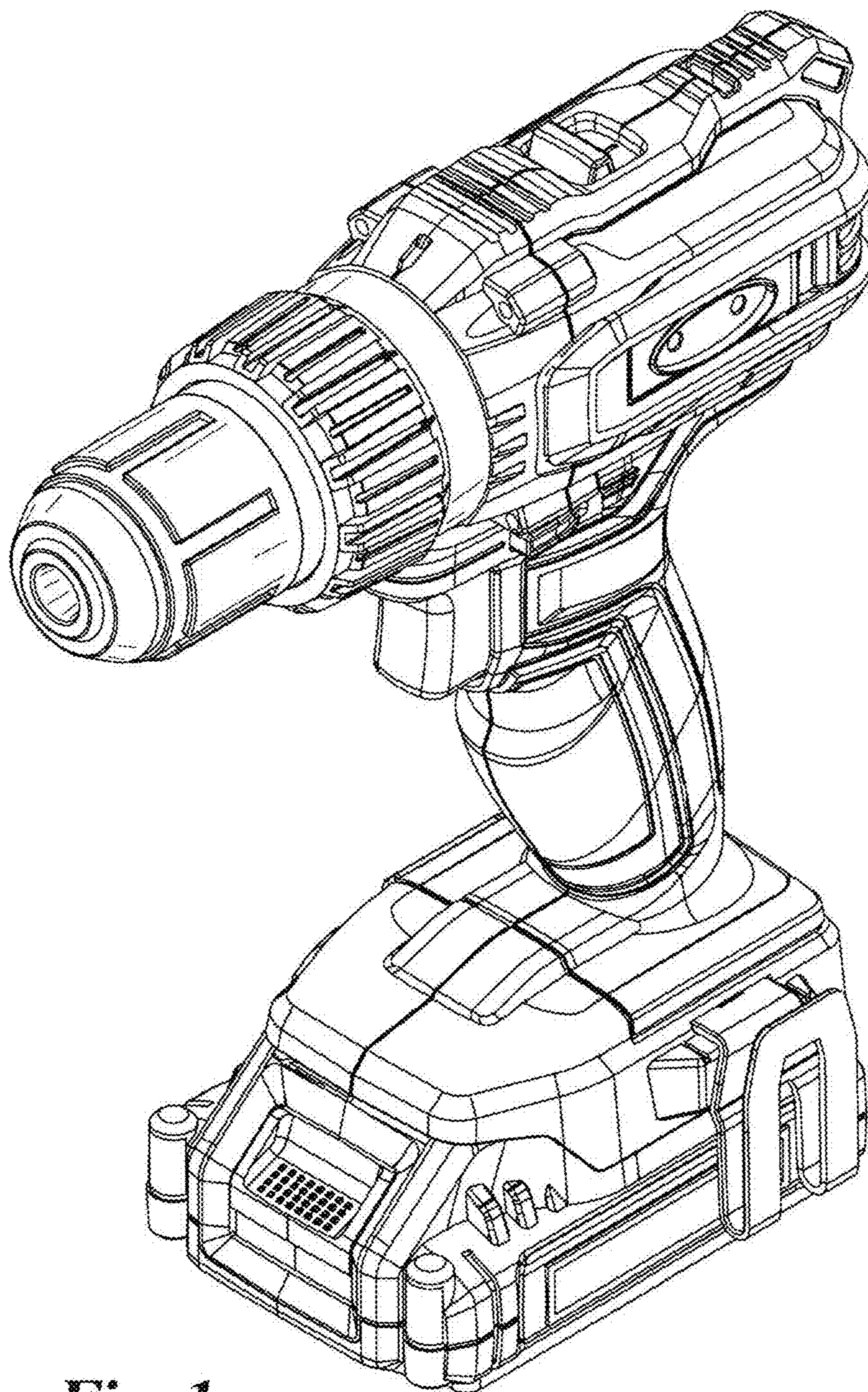


Fig. 1

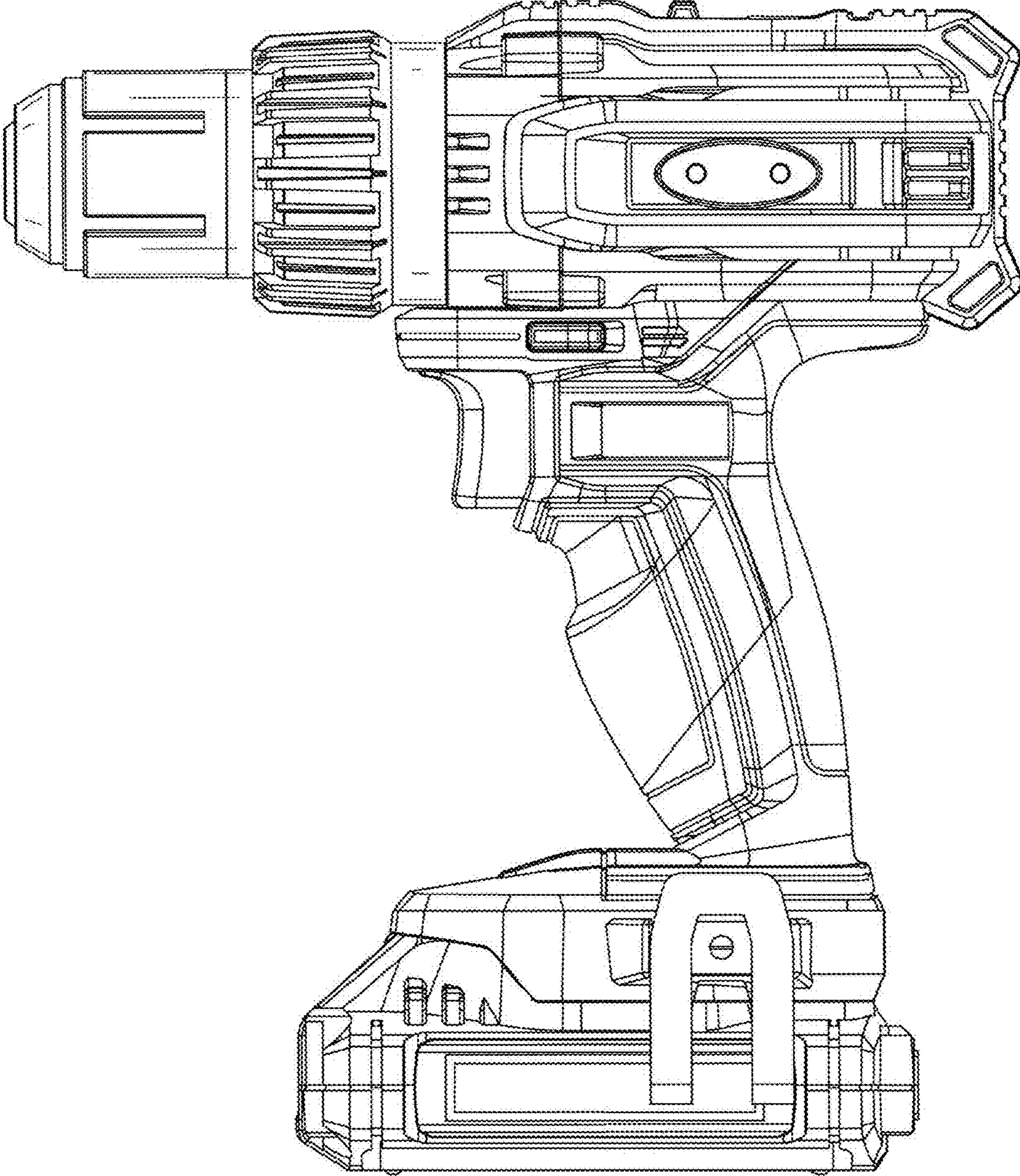


Fig. 2

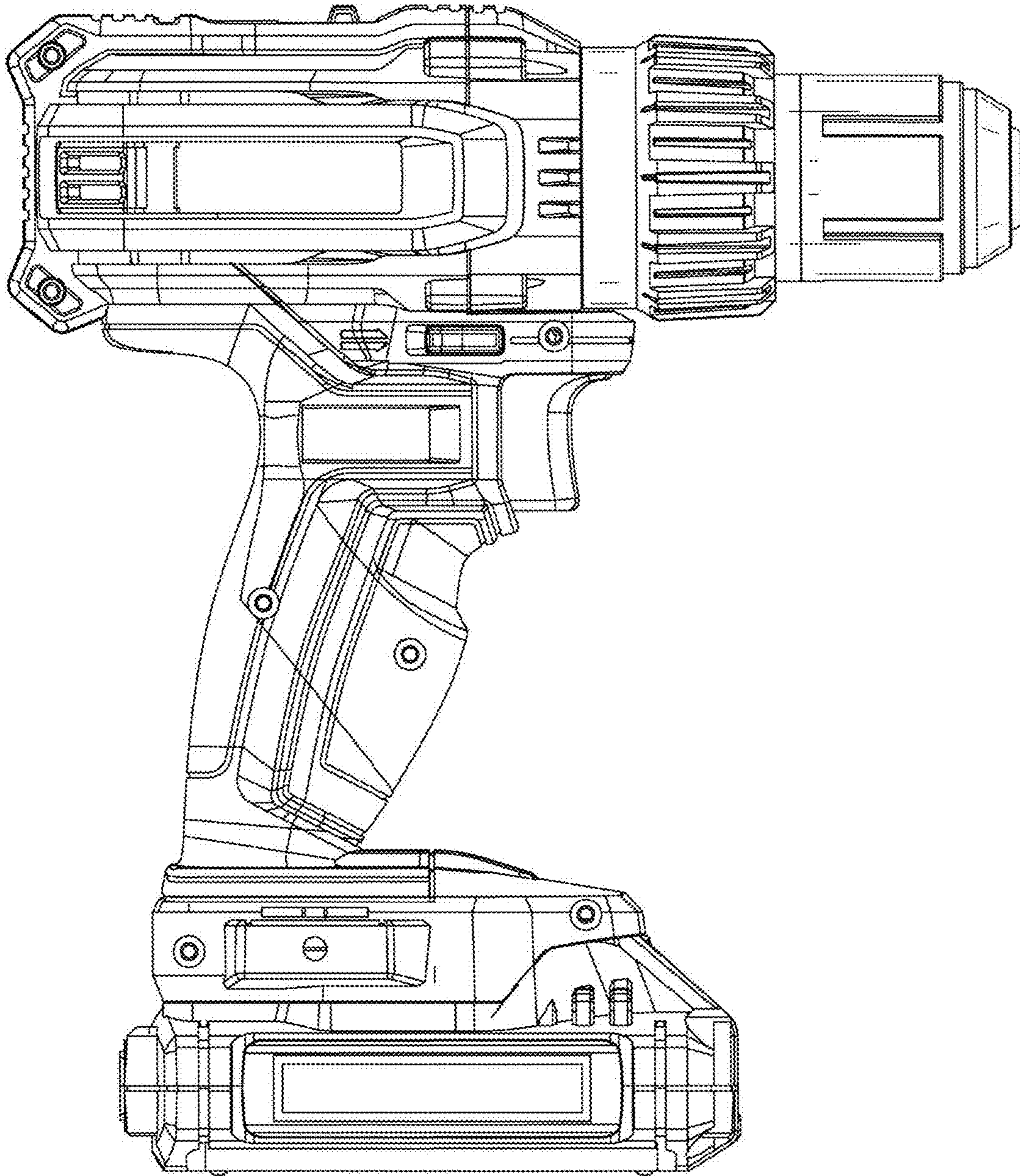


Fig. 3

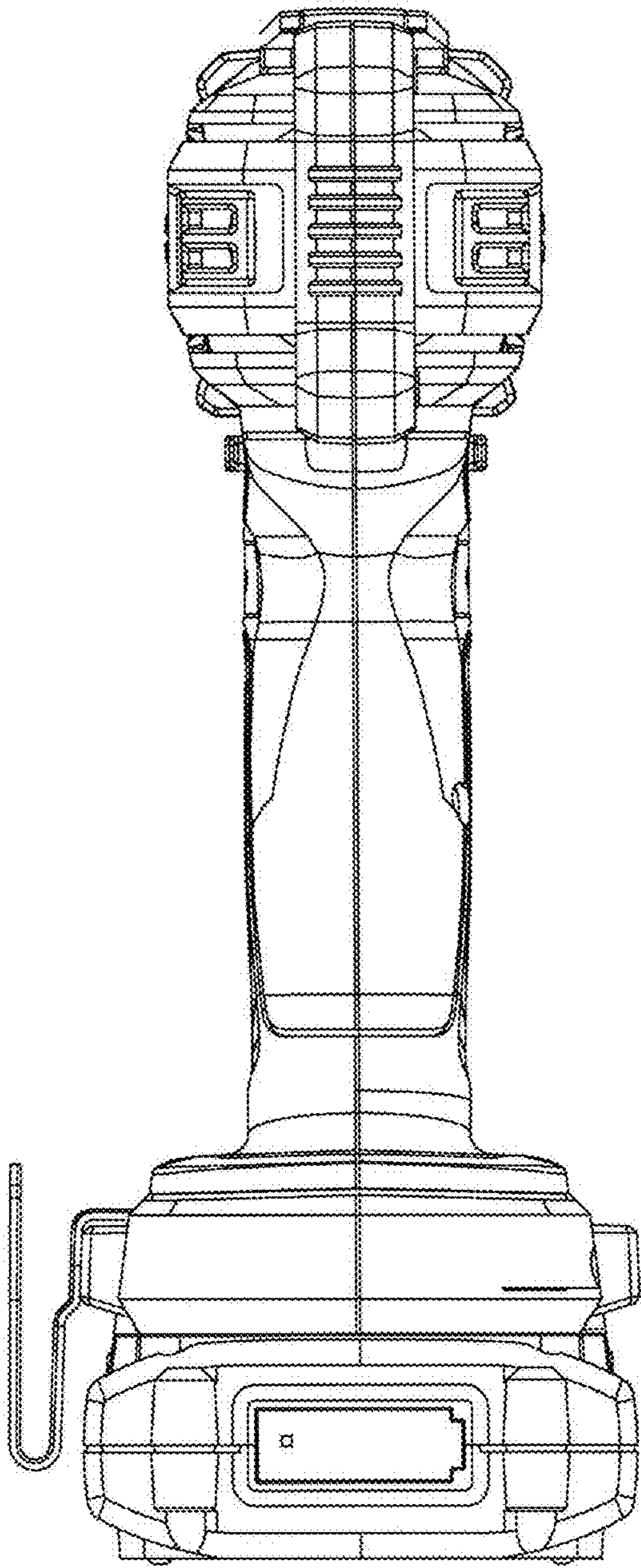


Fig. 4

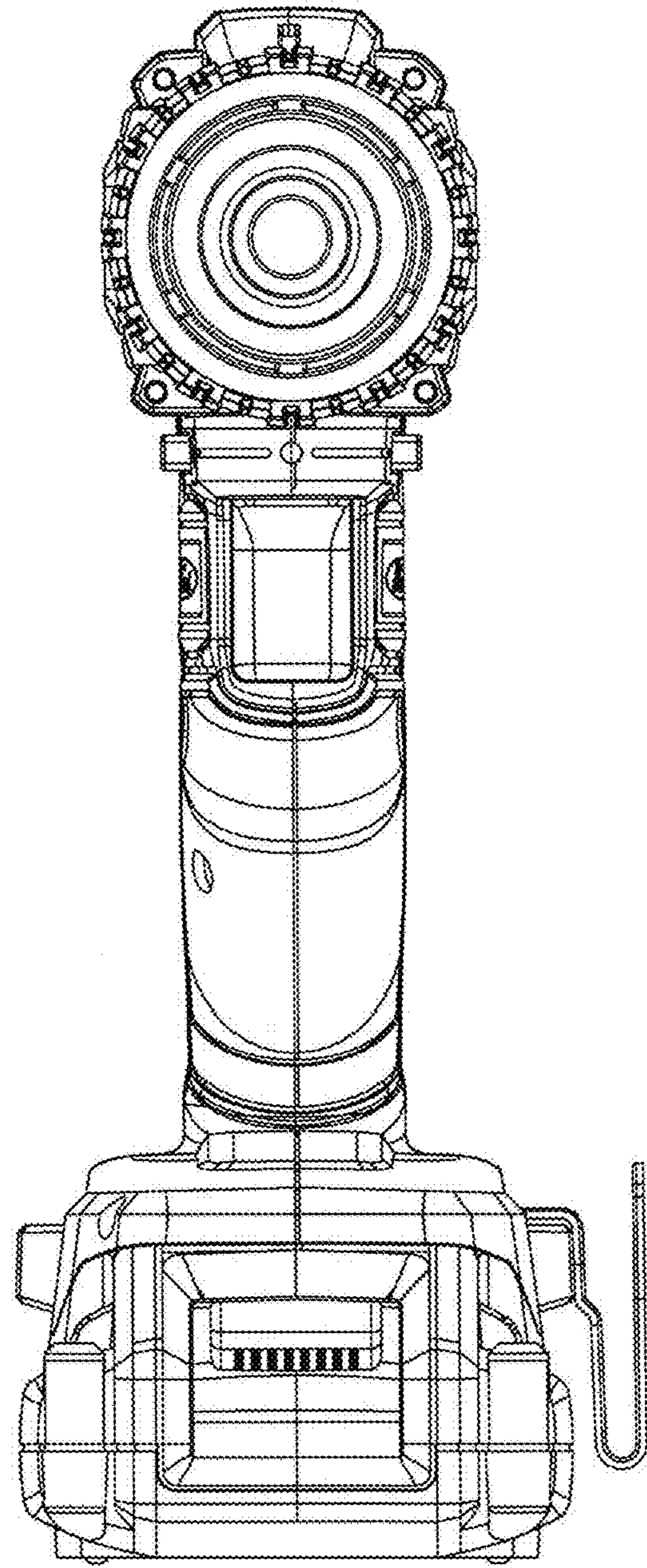


Fig. 5

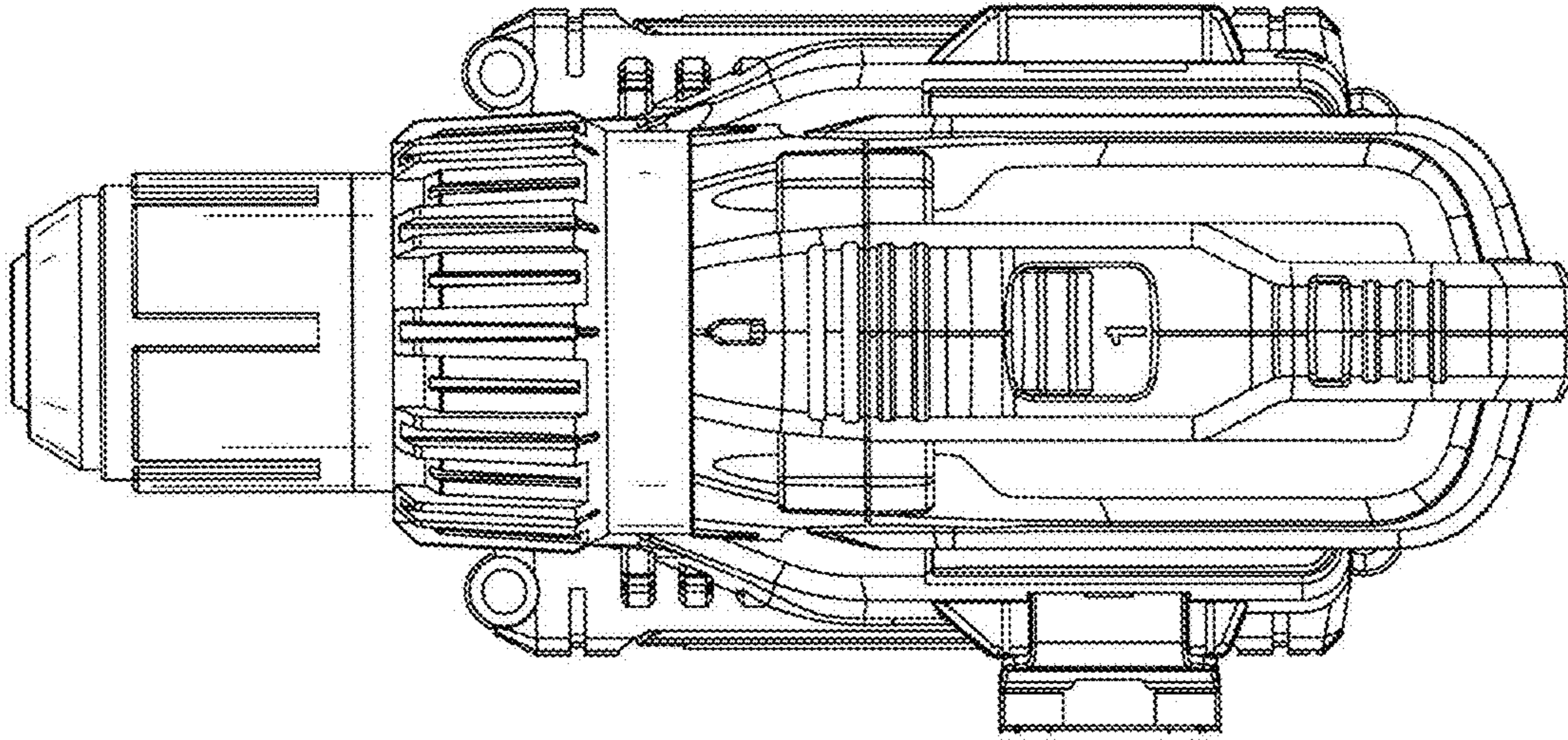


Fig. 6

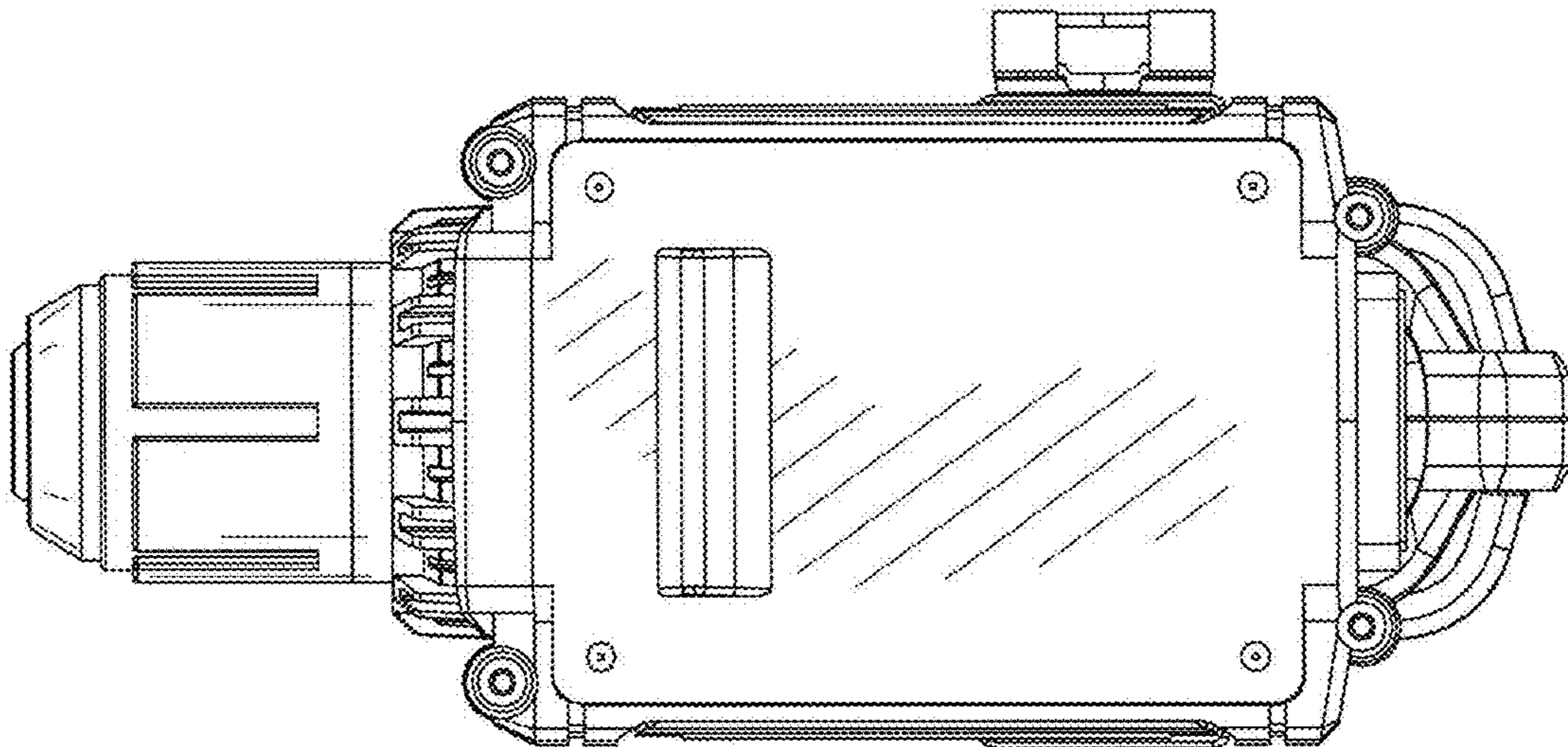


Fig. 7