



US00D840775S

(12) **United States Design Patent** (10) **Patent No.:** **US D840,775 S**
Gurwicz et al. (45) **Date of Patent:** **** Feb. 19, 2019**

(54) **LIGHT BULB CHANGER HEAD**
(71) Applicant: **GR Ventures L.L.C.**, Northfield, NJ (US)
(72) Inventors: **Joseph Gurwicz**, Egg Harbor Township, NJ (US); **Michael Rosen**, Boca Raton, FL (US)

4,663,996 A 5/1987 Grudgfield
4,664,899 A 5/1987 Kimmel et al.
D297,499 S 9/1988 Whitney
4,864,899 A 9/1989 Morse
4,872,097 A 10/1989 Miller
5,148,723 A 9/1992 Newman, Sr. et al.
(Continued)

(73) Assignee: **GR Ventures L.L.C.**, Northfield, NJ (US)
(**) Term: **15 Years**

FOREIGN PATENT DOCUMENTS

AU 2005202235 A1 12/2005
GB 2278565 12/1994
(Continued)

(21) Appl. No.: **29/612,993**
(22) Filed: **Aug. 7, 2017**

OTHER PUBLICATIONS

Cleaning Supplies/Cleaning Tools/Stickyfingers Bulb Changer—Pkg Q . . . ; <http://www.globalindustrial.com/p/janitorial-maintenance/cleaning-sup> . . . ; 2 pages, Mar. 31, 2014.
(Continued)

Related U.S. Application Data

(62) Division of application No. 29/555,454, filed on Feb. 22, 2016, now Pat. No. Des. 816,442.
(51) **LOC (11) Cl.** **08-05**
(52) **U.S. Cl.**
USPC **D8/14**
(58) **Field of Classification Search**
USPC D8/14, 70, 349, 354; 81/176.1, 176.15, 81/120; D24/214, 215; D32/40; D21/488
CPC H01K 3/32; H01J 9/003; B25B 23/0028; B25B 9/00
See application file for complete search history.

Primary Examiner — Philip S Hyder
(74) *Attorney, Agent, or Firm* — Blank Rome LLP

(57) **CLAIM**

The ornamental design for the light bulb changer head, as shown and described.

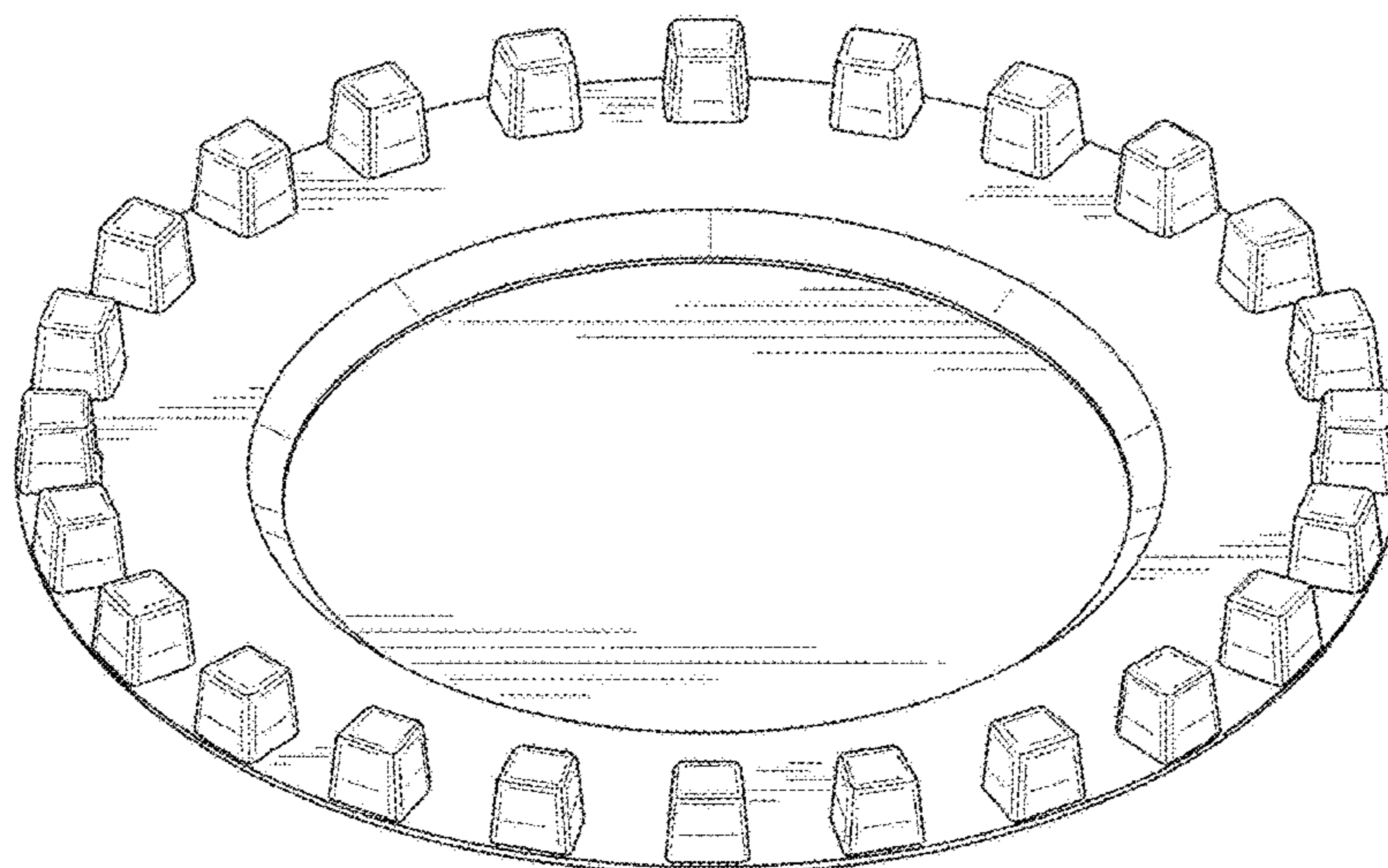
DESCRIPTION

FIG. 1 is a perspective view of the light bulb changer head of the present invention;
FIG. 2 is a side elevational view of the light bulb changer head illustrated in FIG. 1;
FIG. 3 is a top plan view of the light bulb changer head illustrated in FIG. 1; and,
FIG. 4 is a bottom plan view of the light bulb changer head illustrated in FIG. 1.
The broken lines depict portions of the light bulb changer head in which the design is embodied that form no part of the claimed design.

(56) **References Cited**
U.S. PATENT DOCUMENTS

363,332 A 5/1887 Hammer
544,605 A 8/1895 Woolcock
2,117,017 A 5/1938 Chadsey
2,157,563 A 5/1939 Pethick
2,634,998 A 4/1953 Flower
2,637,587 A 5/1953 Robinson
2,722,448 A 11/1955 Popp
2,766,060 A 10/1956 Fuller

1 Claim, 4 Drawing Sheets



(56)

References Cited

U.S. PATENT DOCUMENTS

5,218,889 A 6/1993 Brockberg
 D345,899 S 4/1994 Friend
 5,317,939 A 6/1994 Marinescu
 5,440,867 A 8/1995 Strus
 5,809,850 A 9/1998 Tickner
 6,223,628 B1 5/2001 Barron
 6,257,095 B1 7/2001 Yukness
 6,320,608 B1 11/2001 Yap et al.
 D484,013 S 12/2003 Alverson, Jr.
 D490,670 S 6/2004 Ball et al.
 7,143,668 B2 12/2006 Johnson et al.
 D544,007 S 6/2007 Marasco
 D545,333 S 6/2007 Clarke
 7,255,024 B2 8/2007 Johnson et al.
 7,270,031 B1 9/2007 Huls
 7,334,503 B1 2/2008 Newman
 7,367,347 B2 5/2008 Field
 7,562,605 B2 7/2009 Kunkel
 D610,887 S 4/2010 Vivatyanit
 8,274,241 B2 9/2012 Guest et al.
 D672,518 S 12/2012 Facticeau et al.
 8,476,812 B2 7/2013 Chan et al.
 8,539,863 B2 9/2013 Gatski
 8,546,362 B2 10/2013 Sulur et al.
 8,555,749 B2 10/2013 Gatski
 8,657,351 B2 2/2014 Johnson
 8,926,140 B2 1/2015 Wheelock
 9,070,544 B1 6/2015 Shaps et al.
 9,093,241 B1 7/2015 Gatski
 D745,347 S 12/2015 Gurwicz et al.

9,222,568 B2 12/2015 Schroedl
 9,613,794 B2 4/2017 Becker
 2002/0117870 A1 8/2002 Cash
 2005/0178246 A1 8/2005 Johnson et al.
 2009/0141508 A1 6/2009 Peng et al.
 2010/0024606 A1 2/2010 Becker
 2010/0096992 A1 4/2010 Yamamoto et al.
 2011/0089830 A1 4/2011 Pickard et al.
 2012/0103141 A1 5/2012 Workman
 2012/0182737 A1 7/2012 Kuenzler et al.
 2013/0135888 A1 5/2013 Le Bars et al.

FOREIGN PATENT DOCUMENTS

JP 668293 U 9/1994
 JP 08161923 A 6/1996
 JP 2011070784 A 4/2011
 KR 20070107429 A 11/2007
 WO WO-8404627 A1 11/1984
 WO WO-2005112076 A2 11/2005

OTHER PUBLICATIONS

International Search Report and Written Opinion issued in PCT/US2017/018293 dated May 16, 2017.
 Light Bulb Change patent—Google search—<https://www.google.com/search?q=light+bulb+changer+patent&newwi...>; 12 pages, Mar. 31, 2014.
 Notification Concerning Transmittal of International Preliminary Report on Patentability, PCT/US2015/027935, dated Nov. 10, 2016.
 Supplementary European Search Report, EP 15 78 5311, dated Jan. 9, 2017.

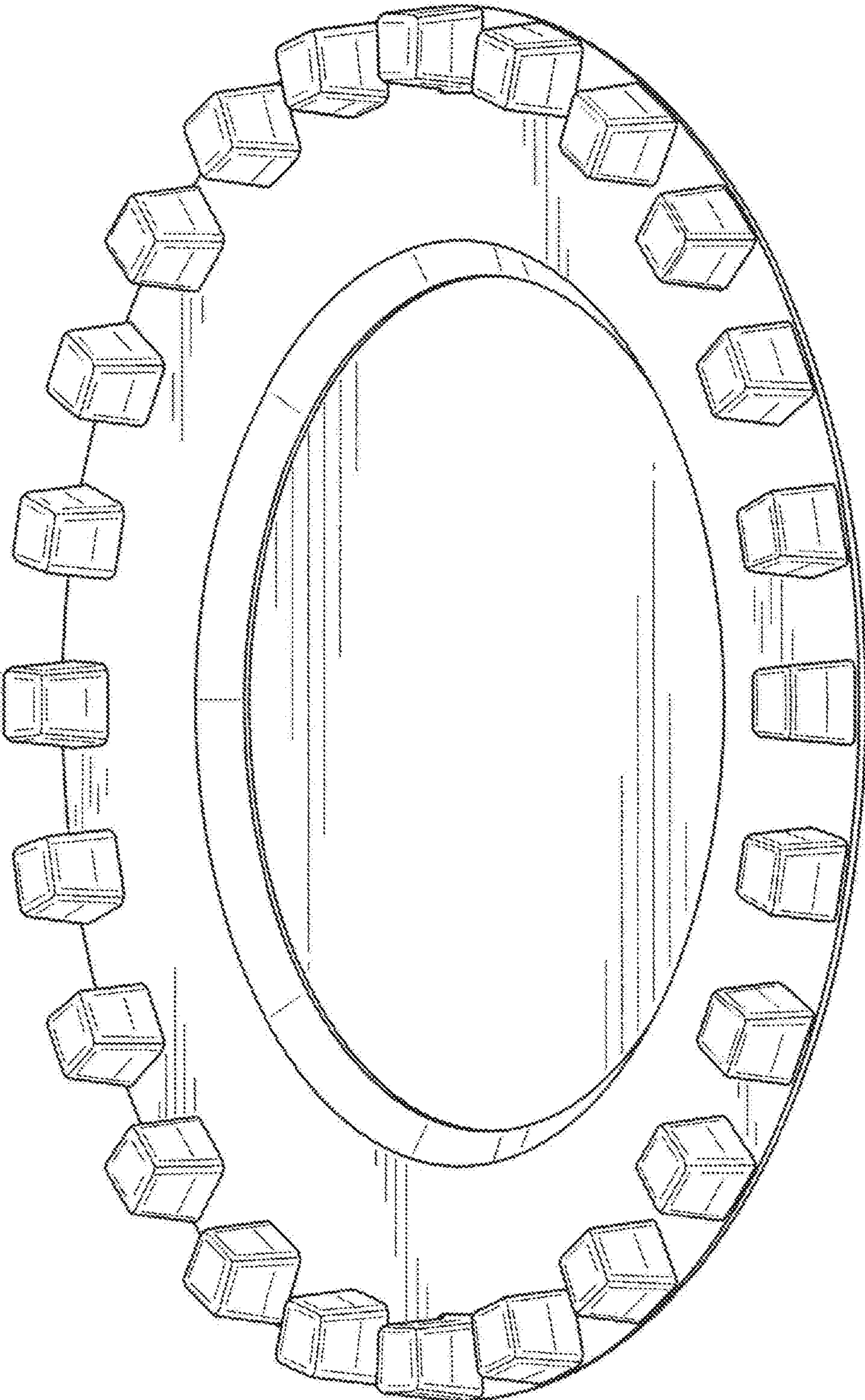


FIG. 1

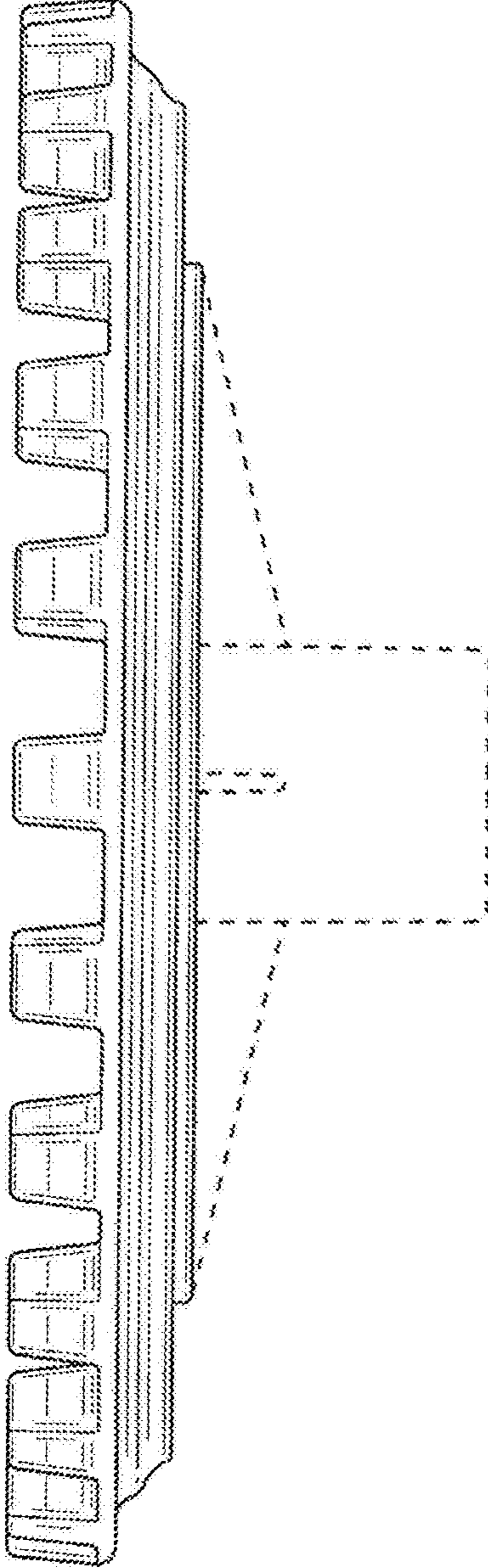


FIG. 2

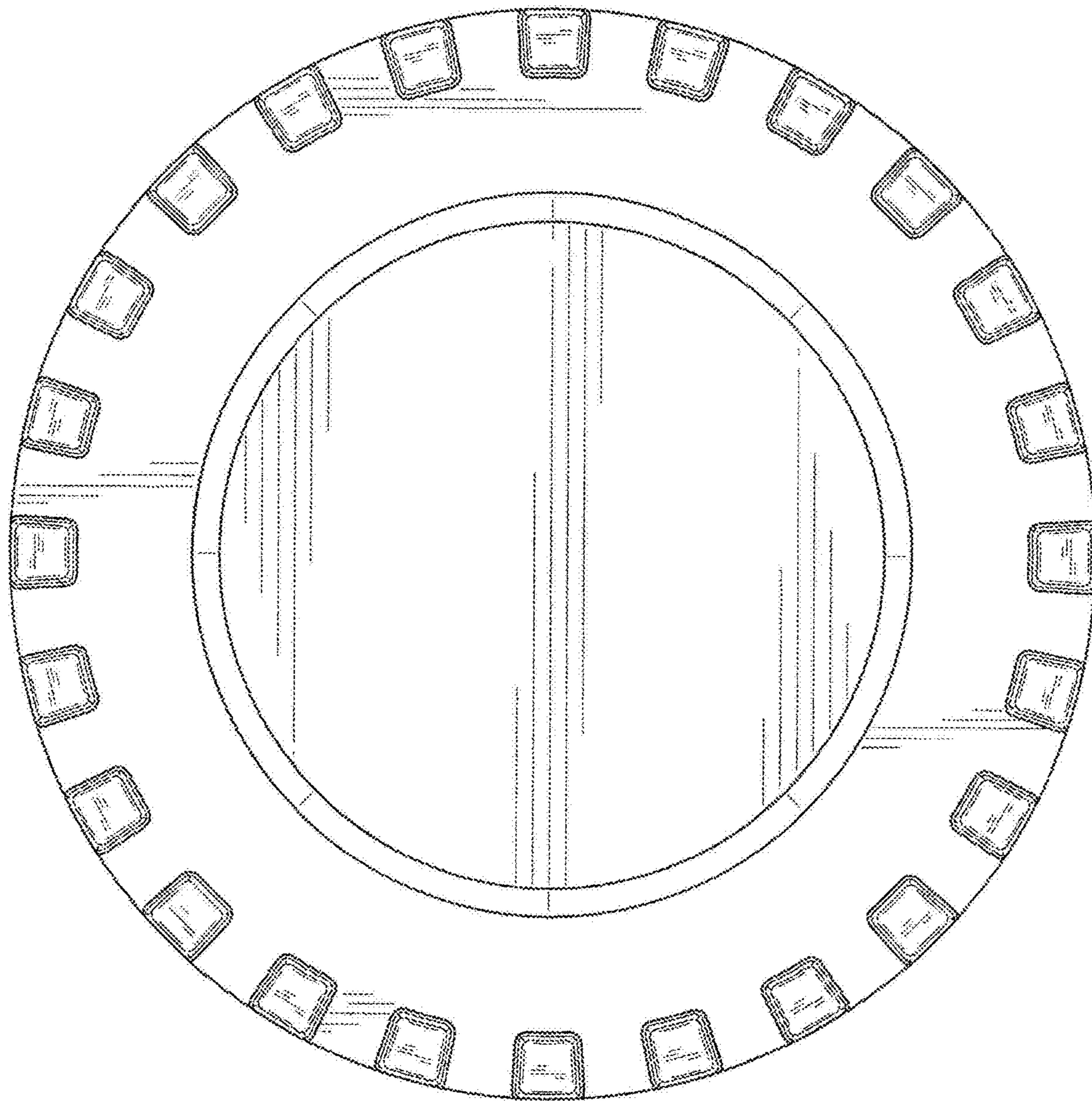


FIG. 3

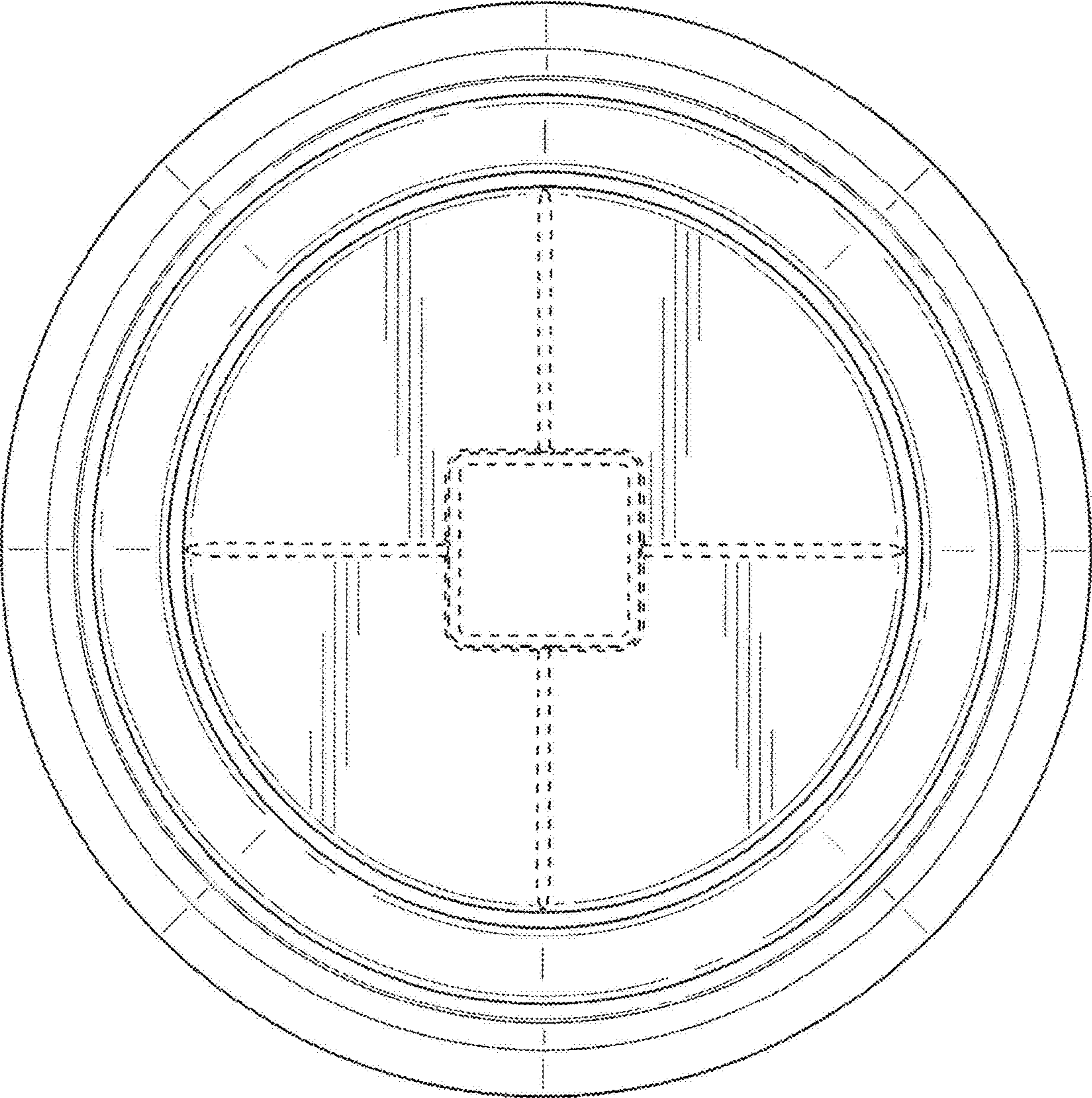


FIG. 4