



US00D840773S

(12) **United States Design Patent**
Lester et al.

(10) **Patent No.: US D840,773 S**
(45) **Date of Patent: ** Feb. 19, 2019**

(54) **TONGS**
(71) Applicant: **Sorry Robots, LLC**, Novato, CA (US)
(72) Inventors: **Christian Lester**, Los Angeles, CA (US); **Samantha Rose**, Novato, CA (US); **Michael Egan**, Chicago, IL (US); **Brian Rose**, Novato, CA (US)

(73) Assignee: **Sorry Robots LLC**, Novato, CA (US)
(**) Term: **15 Years**

(21) Appl. No.: **29/618,771**
(22) Filed: **Sep. 23, 2017**
(51) **LOC (11) Cl.** **07-06**
(52) **U.S. Cl.**
USPC **D7/686**
(58) **Field of Classification Search**
USPC D7/680-696, 393, 395, 669, 368
CPC C03B 35/20; C03B 25/20; A47J 43/28;
A47J 43/283; A47G 21/10; B25B 9/02;
B25B 9/00; B25B 7/00
See application file for complete search history.

(56) **References Cited**
U.S. PATENT DOCUMENTS
7,261,348 B1 * 8/2007 Fried A47G 21/10
294/16
8,226,135 B1 * 7/2012 Lv A47J 43/283
294/16

8,714,606 B2 * 5/2014 Schoeman A47G 21/10
294/106
2008/0054661 A1 * 3/2008 Schneider A47G 21/10
294/99.2
2013/0049386 A1 * 2/2013 Lv A47G 21/10
294/99.2

* cited by examiner

Primary Examiner — Terry A Wallace
(74) *Attorney, Agent, or Firm* — The Law Offices of Roger S. Thompson

(57) **CLAIM**

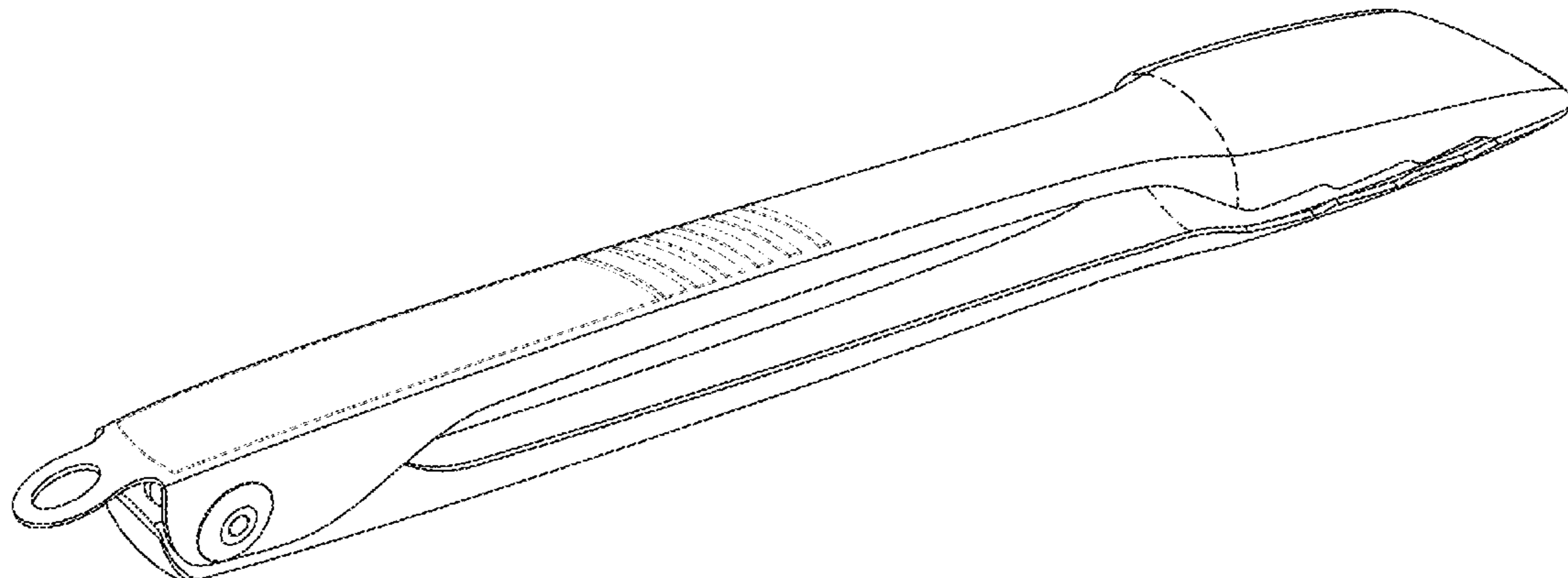
The ornamental design for a “tongs,” as shown and described.

DESCRIPTION

FIG. 1 is a perspective view of the claimed tongs in the closed position;
FIG. 2 is a top plan view of the claimed tongs in the closed position;
FIG. 3 is a right side elevation of the claimed tongs in the closed position;
FIG. 4 is a front elevation of the claimed tongs in the closed position;
FIG. 5 is a rear elevation of the claimed tongs in the closed position;
FIG. 6 is a left side elevation of the claimed tongs in the closed position;
FIG. 7 is a bottom plan view of the claimed tongs in the closed position;
FIG. 8 is a rear perspective of the claimed tongs in the open position; and,
FIG. 9 is a front perspective of the claimed tongs in the open position.

The broken lines illustrate features of the object which form no part of the claimed design.

1 Claim, 6 Drawing Sheets



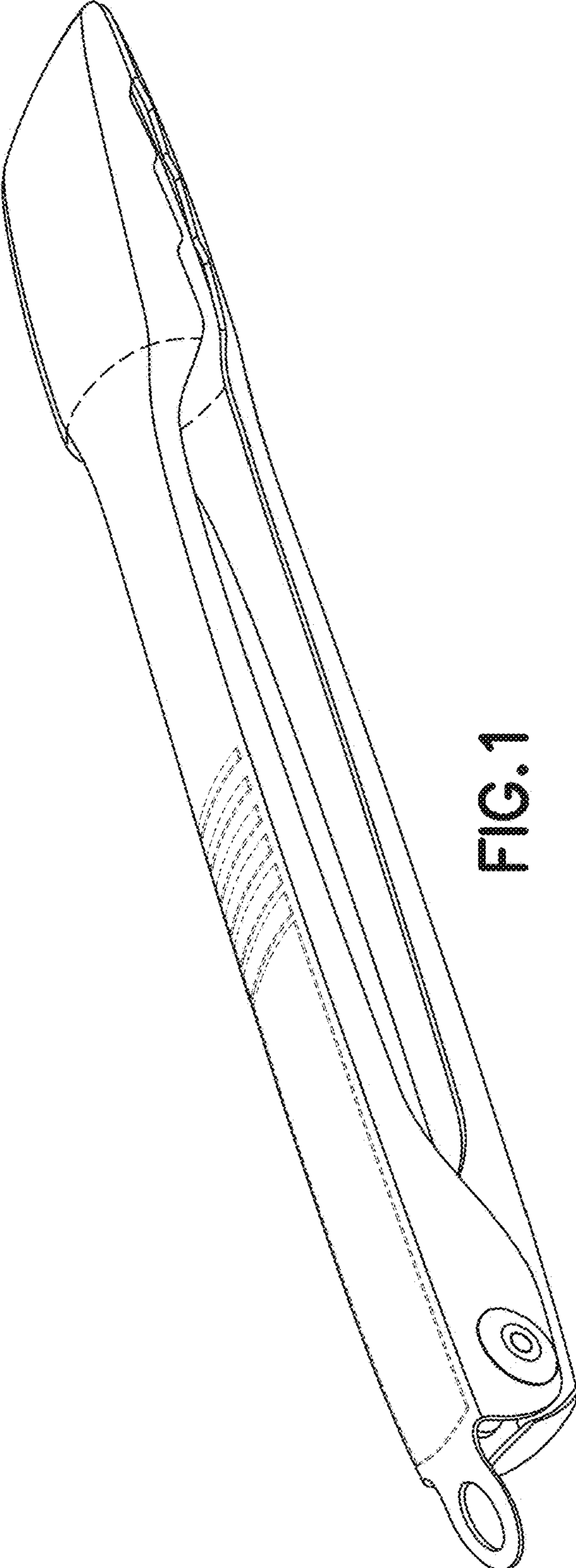


FIG. 1

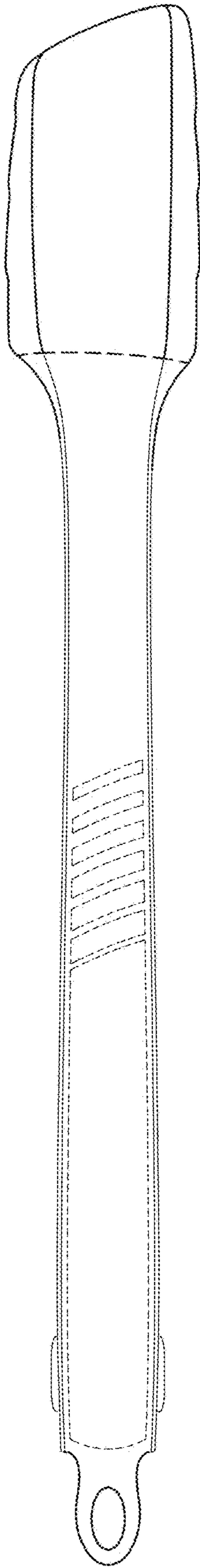


FIG. 2

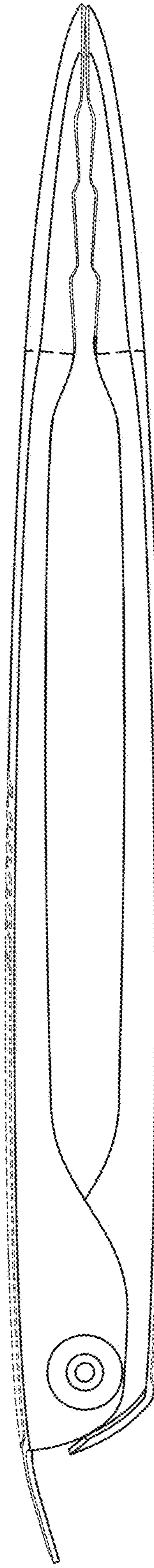


FIG. 3

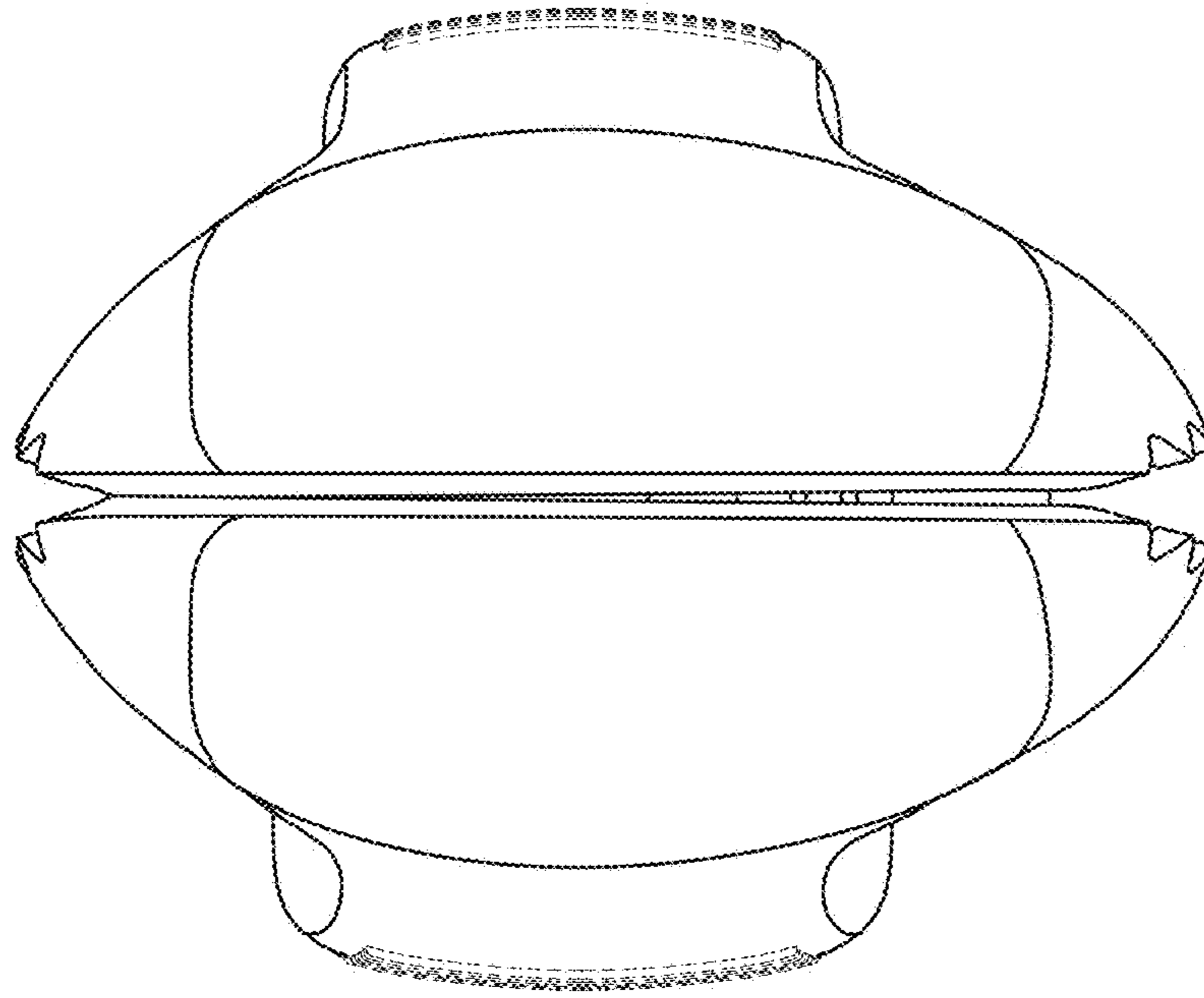


FIG. 4

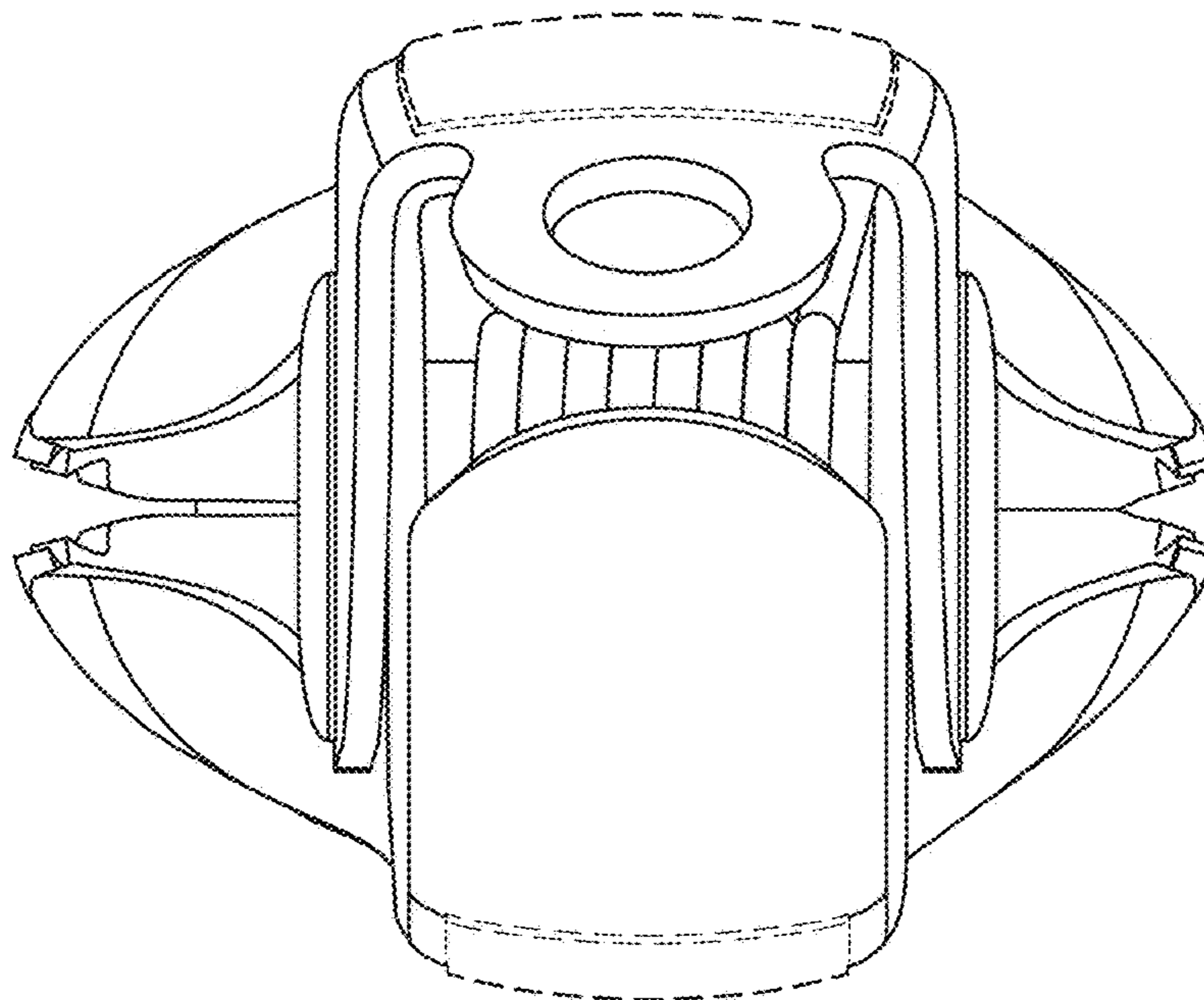


FIG. 5

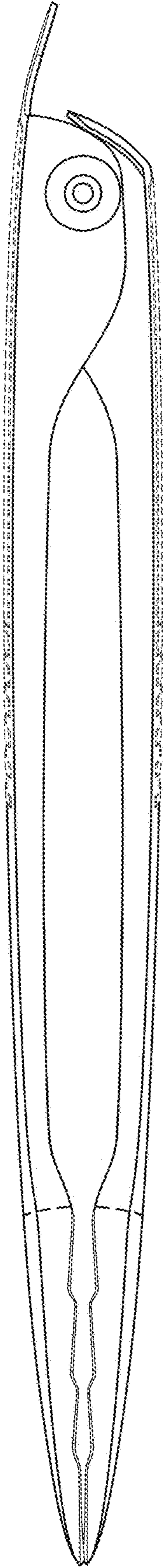


FIG. 6

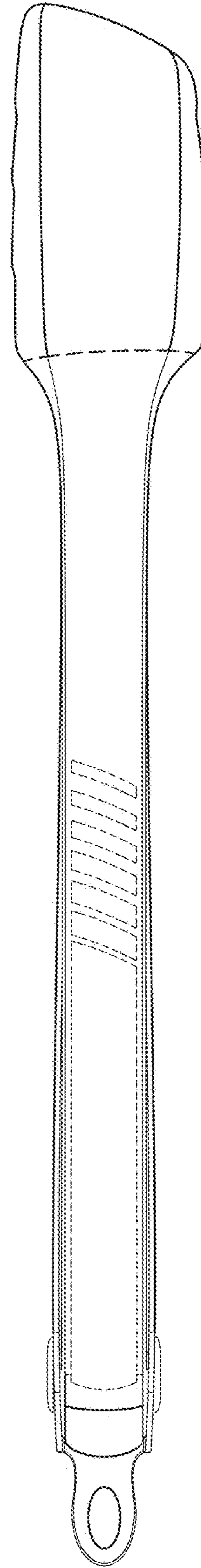


FIG. 7

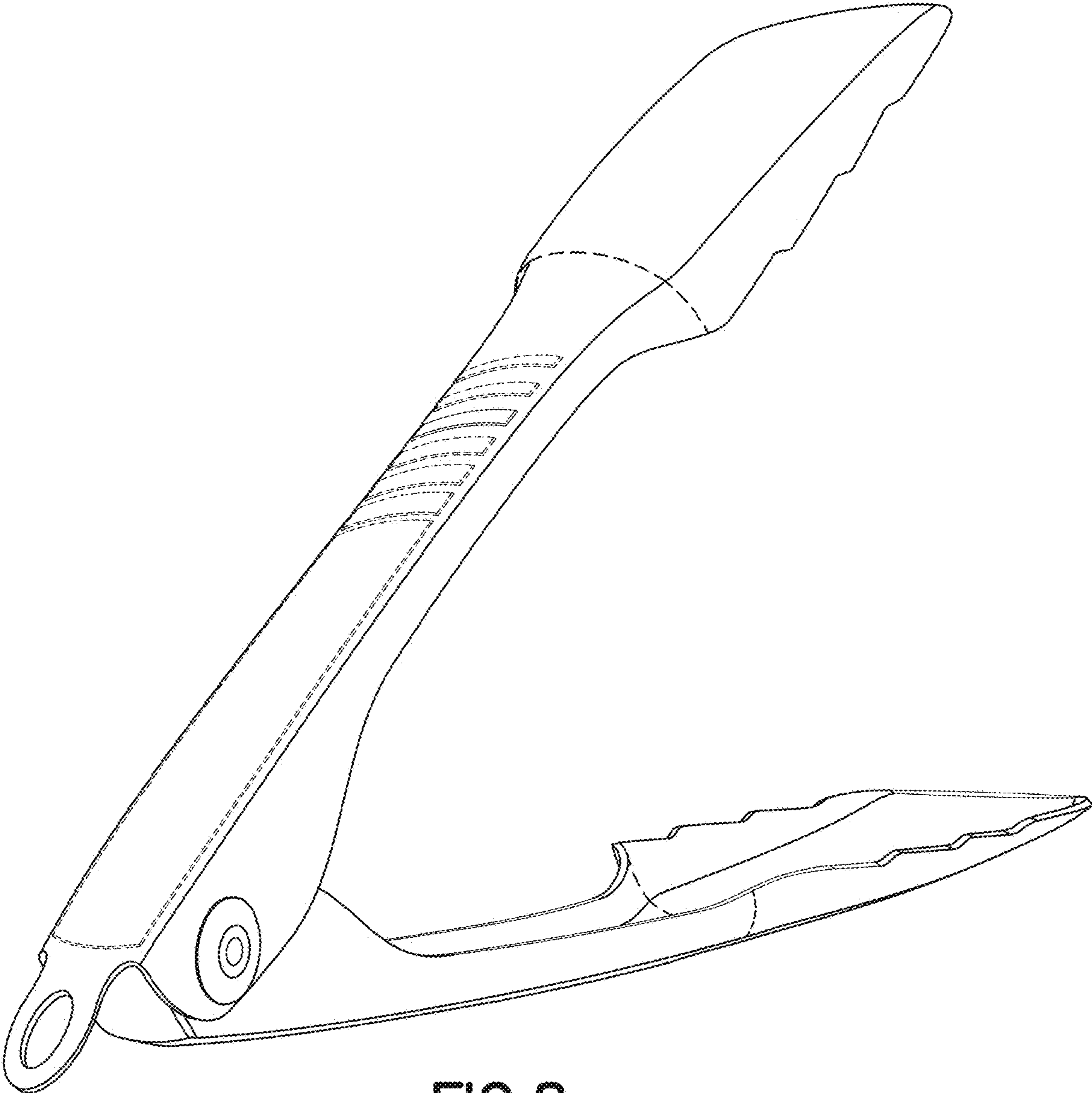


FIG. 8

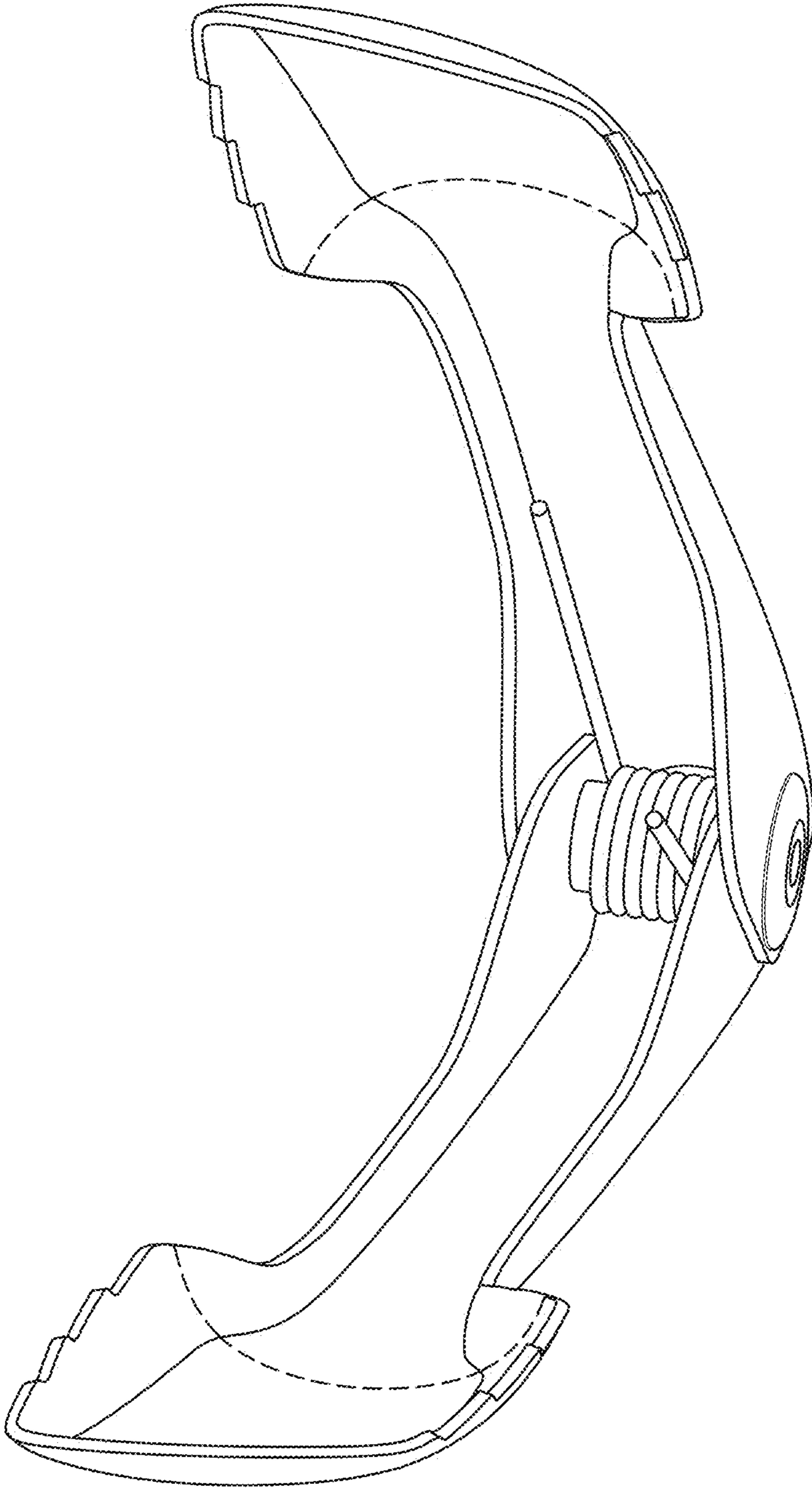


FIG.9