



US00D840772S

(12) **United States Design Patent**
Wong

(10) **Patent No.:** **US D840,772 S**

(45) **Date of Patent:** **** Feb. 19, 2019**

(54) **GRATER**

(71) Applicant: **King's Flair Marketing Limited**, Road Town (VG)

(72) Inventor: **Siu Wah Wong**, Hong Kong (HK)

(73) Assignee: **KING'S FLAIR MARKETING LTD.**, Tortola (VG)

(**) Term: **15 Years**

(21) Appl. No.: **29/569,019**

(22) Filed: **Jun. 23, 2016**

(30) **Foreign Application Priority Data**

Feb. 5, 2016 (HK) 1600222

(51) **LOC (11) Cl.** **07-04**

(52) **U.S. Cl.**
USPC **D7/678**

(58) **Field of Classification Search**

USPC D7/381, 382, 383, 384, 385, 412, 678,
D7/673, 669; D28/59

CPC A47J 43/25; A47J 43/00; A47J 43/255;
A47J 17/02; B26D 1/30; B26D 7/18

See application file for complete search history.

(56) **References Cited**

U.S. PATENT DOCUMENTS

D347,149 S *	5/1994	Feer	D7/678
D406,018 S *	2/1999	Zirbes	D7/381
D409,882 S *	5/1999	Zirbes	D7/673
D471,067 S *	3/2003	Coburn	D7/669
D498,650 S *	11/2004	Boilen	D7/678
D548,549 S *	8/2007	Curtin	D7/678
D625,567 S *	10/2010	Wong	D7/673
D672,919 S *	12/2012	Campbell	D28/44.1
D742,184 S *	11/2015	Roberts	D7/678
D755,583 S *	5/2016	Berge	D7/678
9,635,983 B2 *	5/2017	Berge	A47J 47/16

D799,133 S *	10/2017	Wong	D32/55
2004/0217219 A1 *	11/2004	Bitonto	A47J 43/255 241/95
2005/0006505 A1 *	1/2005	McNeeley	A47J 43/25 241/95
2011/0290926 A1 *	12/2011	Talip	A47J 43/25 241/273.4
2014/0246527 A1 *	9/2014	Lee	A47J 43/25 241/95

(Continued)

Primary Examiner — Karen S Acker

Assistant Examiner — Steven B Reinholdt, Jr.

(74) *Attorney, Agent, or Firm* — Nyemaster Goode

(57) **CLAIM**

The ornamental design for a grater, as shown and described.

DESCRIPTION

FIG. 1 is a top perspective view of the grater showing my new design.

FIG. 2 is a front view thereof.

FIG. 3 is a rear view thereof.

FIG. 4 is a left side view thereof.

FIG. 5 is a right side view thereof.

FIG. 6 is a top view thereof.

FIG. 7 is a bottom view thereof.

FIG. 8 is a bottom perspective view thereof.

FIG. 9 is a bottom view of the components of the grater detached from the base.

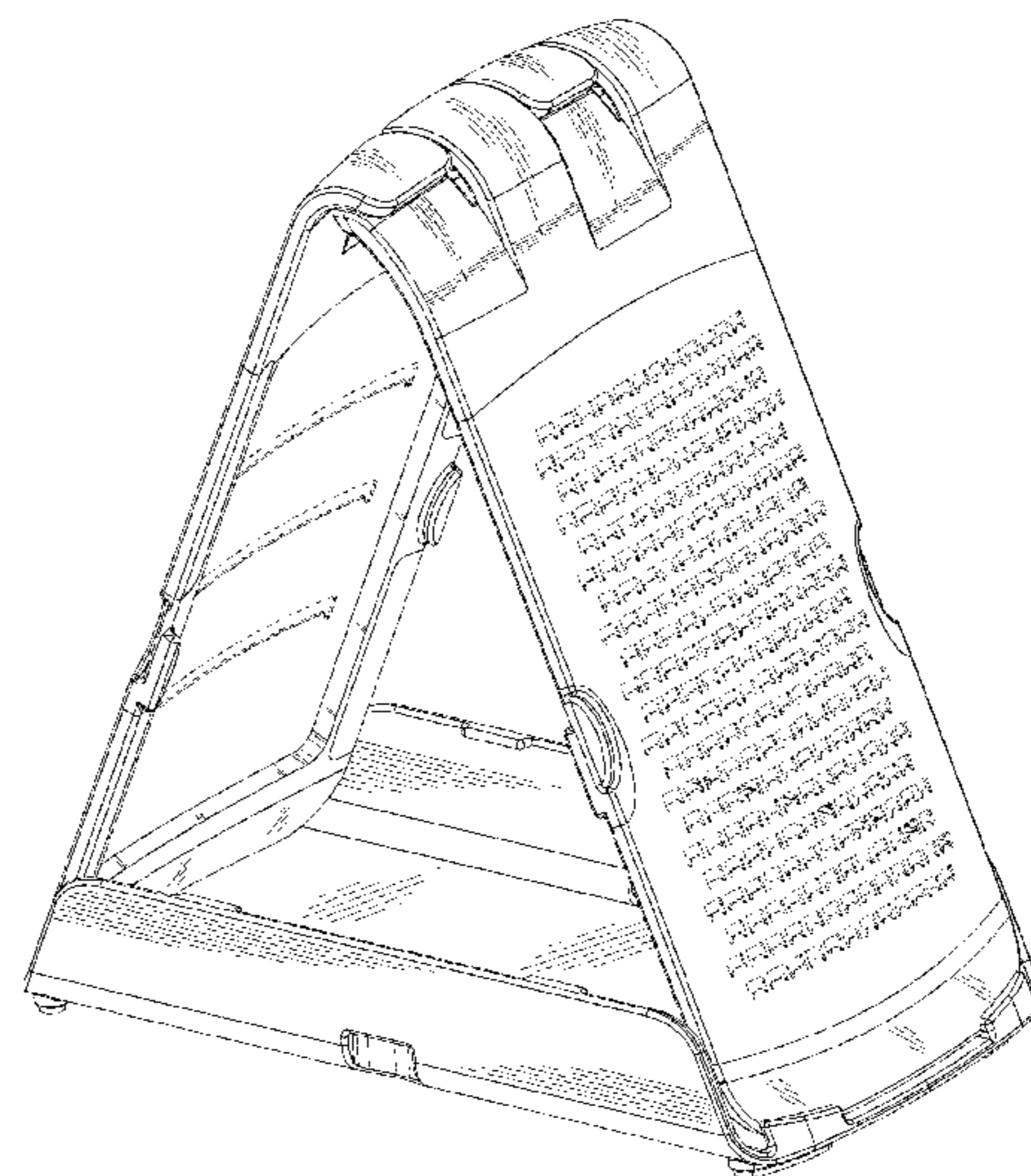
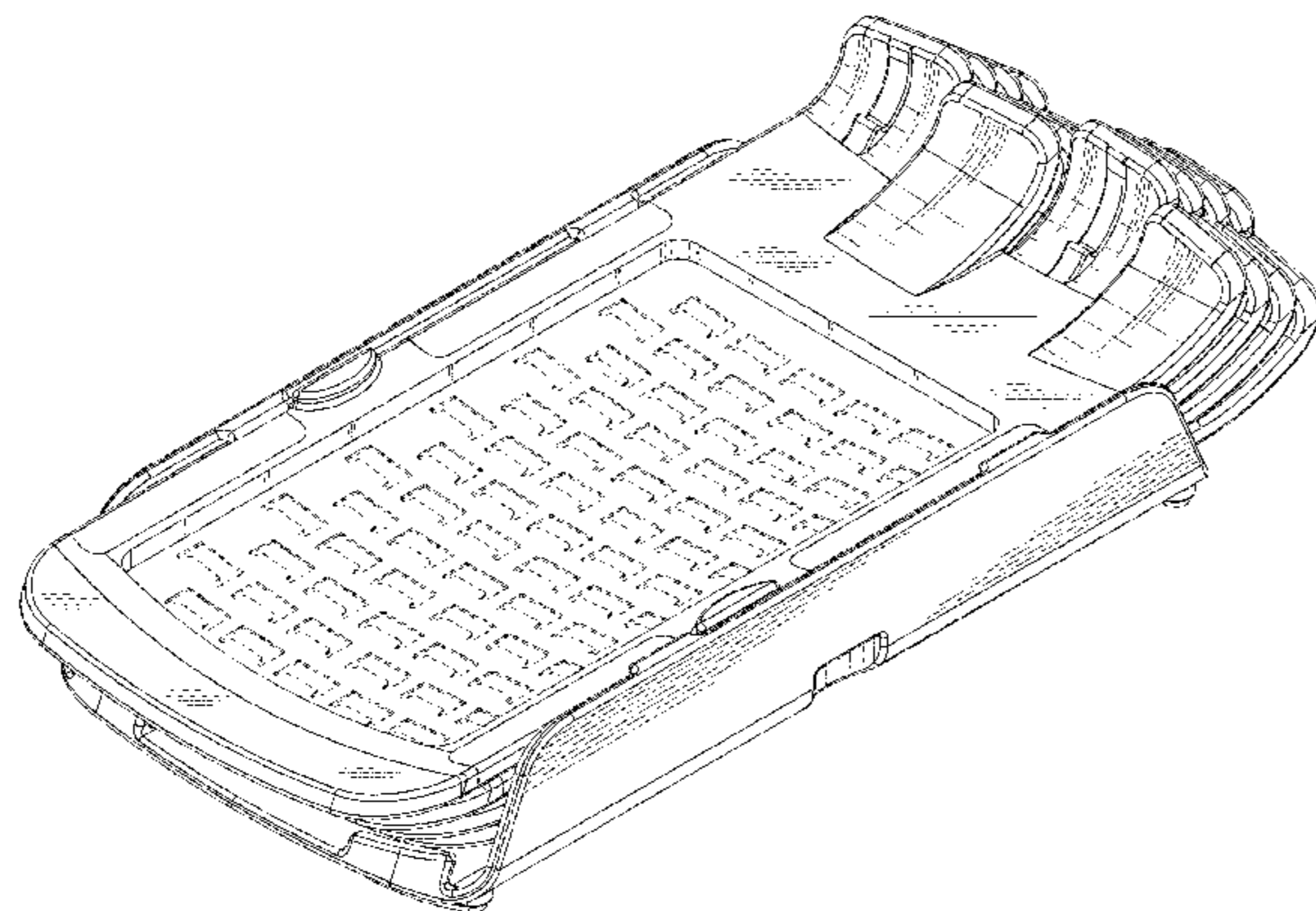
FIG. 10 is a top view of the components of the grater detached from the base.

FIG. 11 is a first perspective view showing the grater in a position of use; and,

FIG. 12 is a second perspective view showing the grater in a position of use.

The broken lines shown in the figures are for the purpose of illustrating portions of the grater and form no part of the claimed design.

1 Claim, 11 Drawing Sheets



(56)

References Cited

U.S. PATENT DOCUMENTS

2014/0246528 A1* 9/2014 Lee A47J 43/25
241/95

* cited by examiner

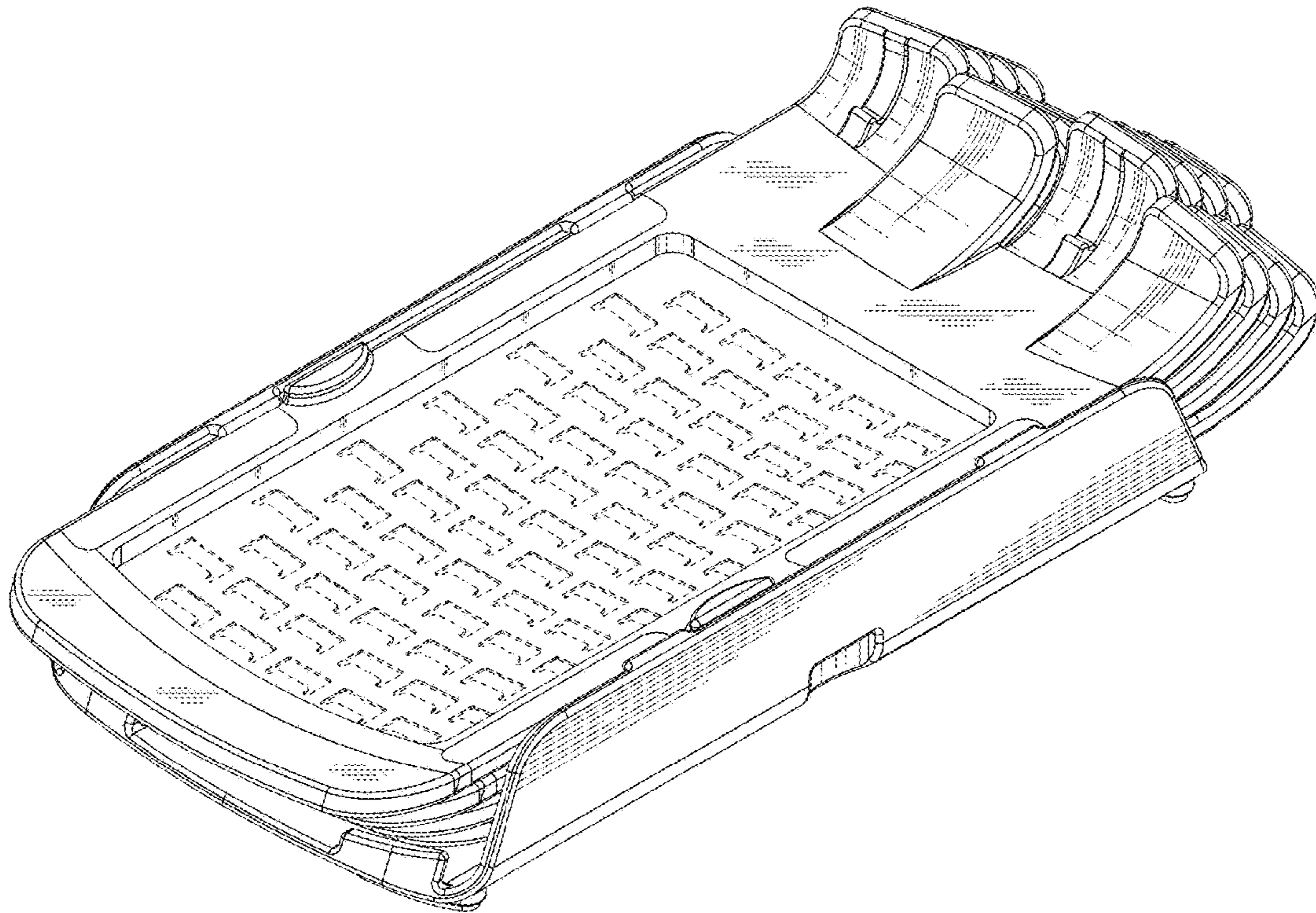


Figure 1

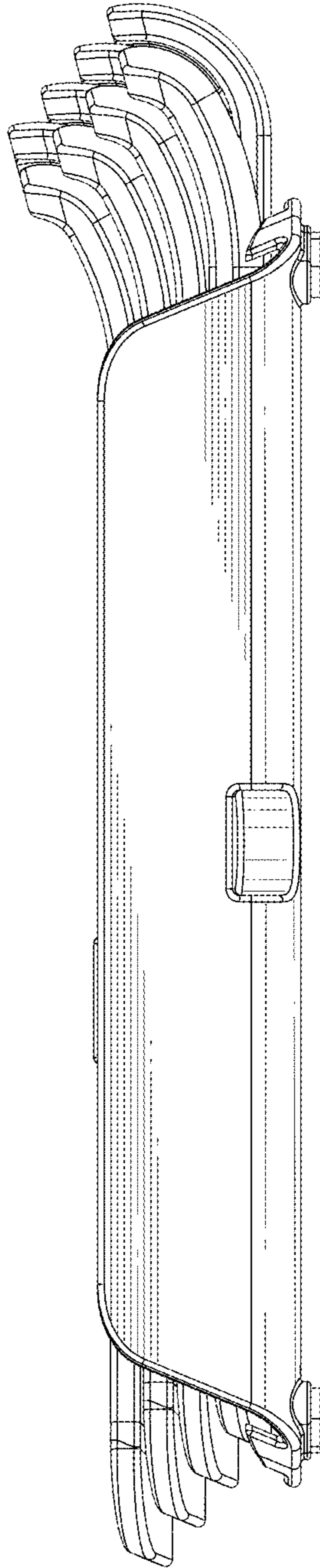


Figure 2

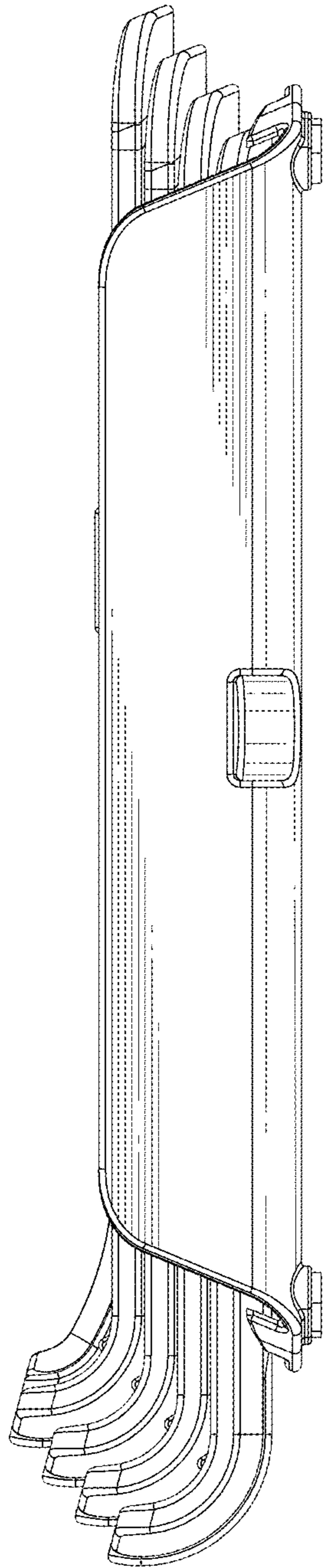


Figure 3

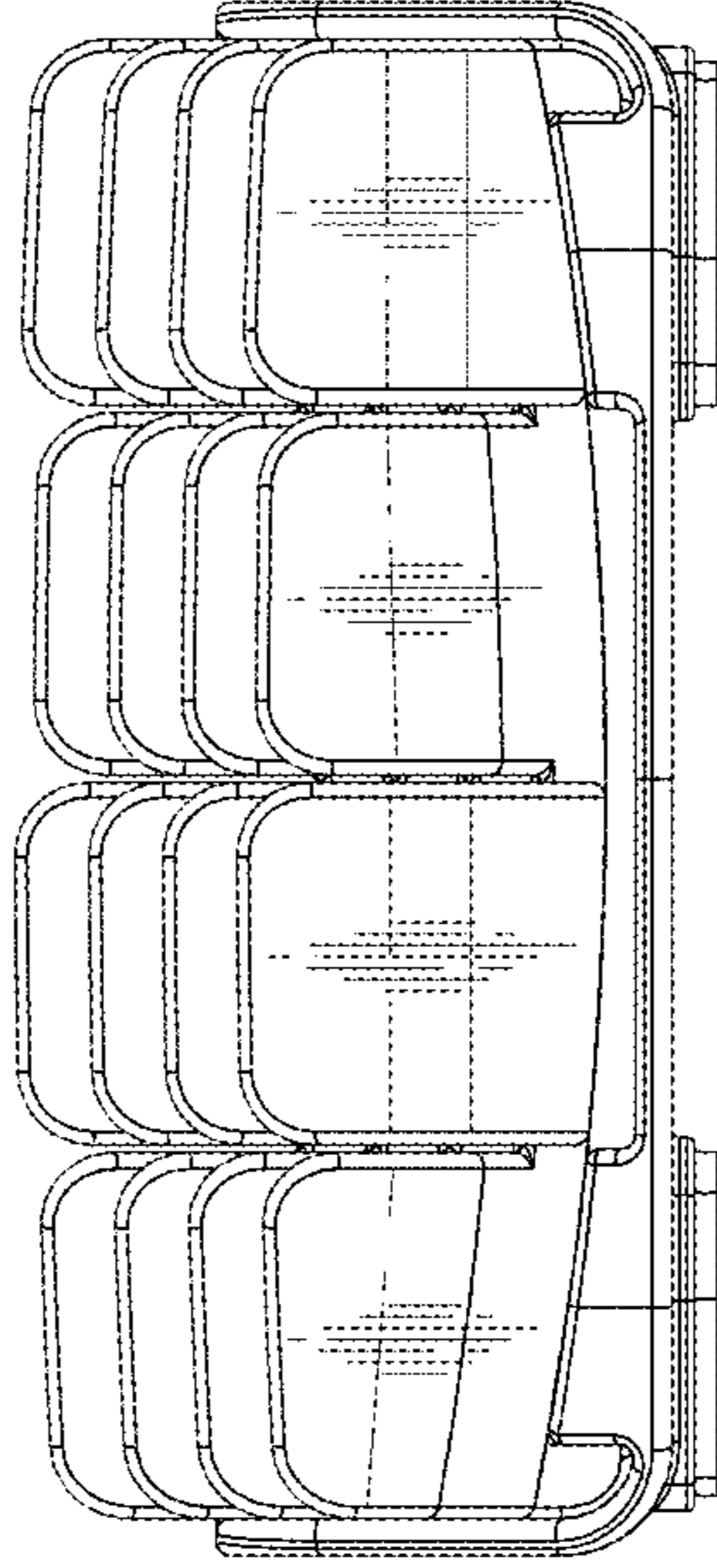


Figure 5

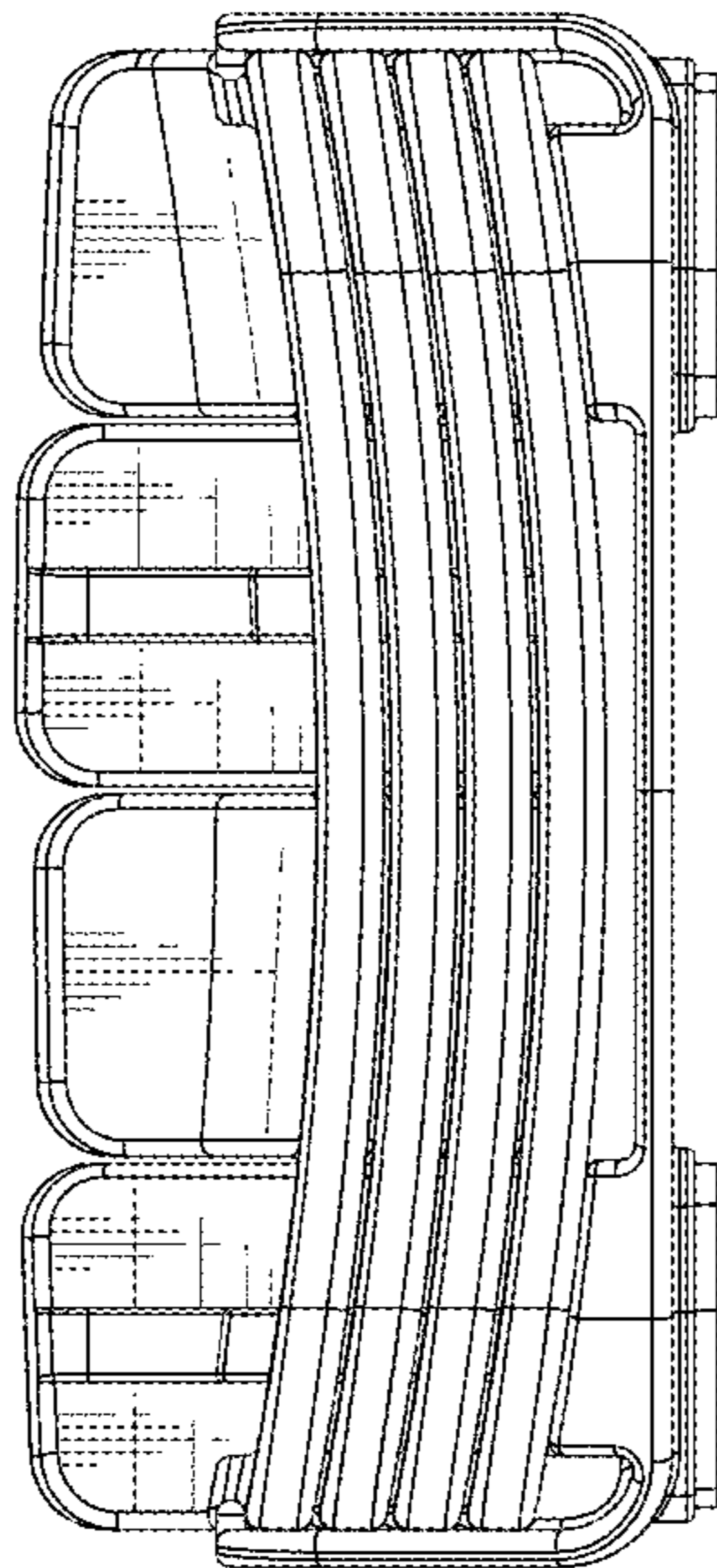


Figure 4

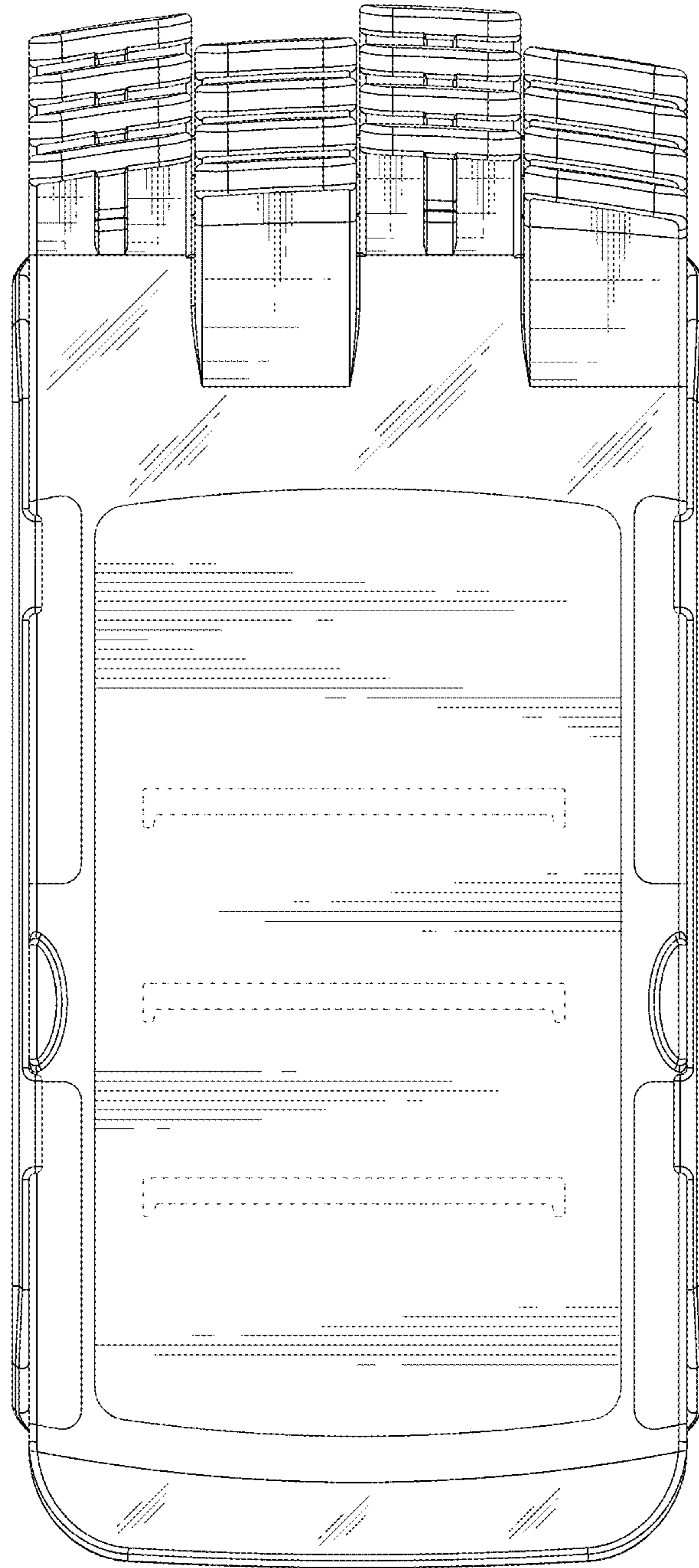


Figure 6

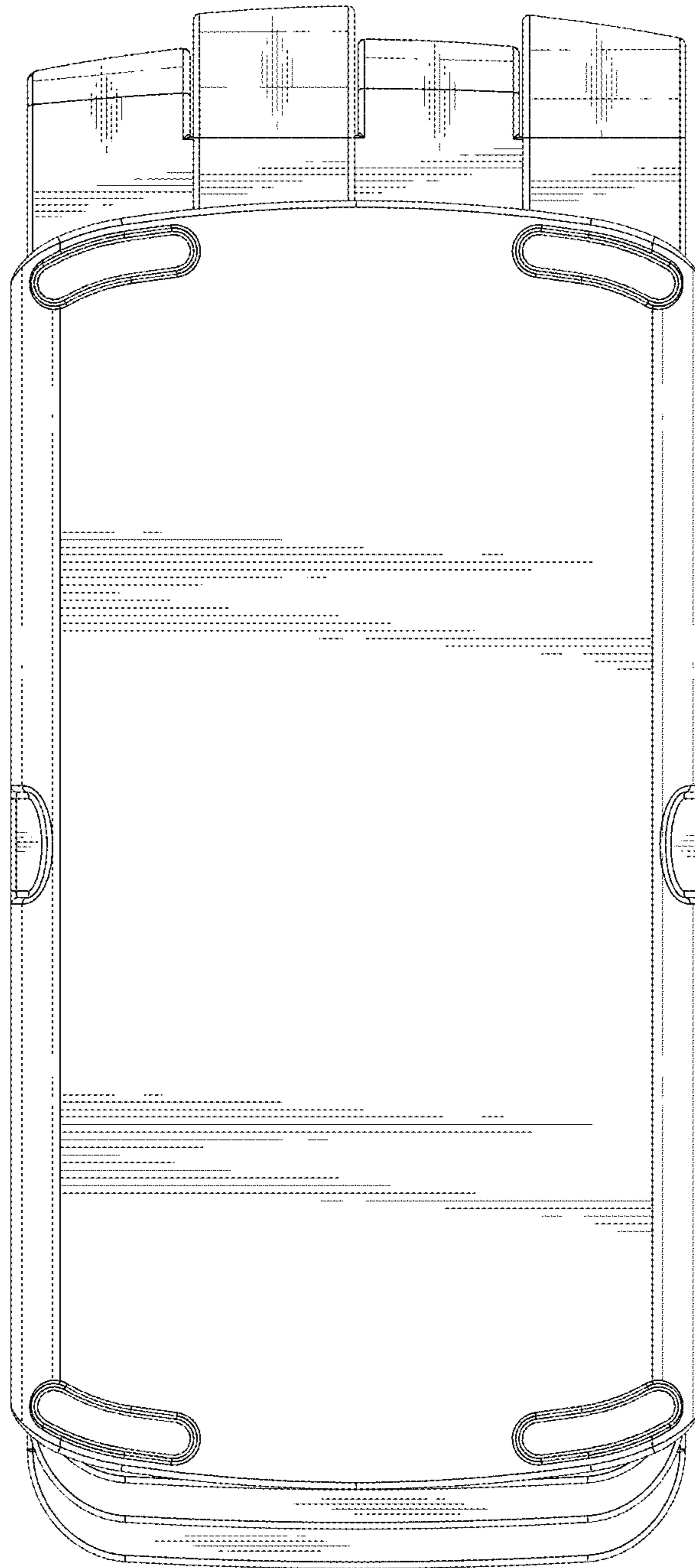


Figure 7

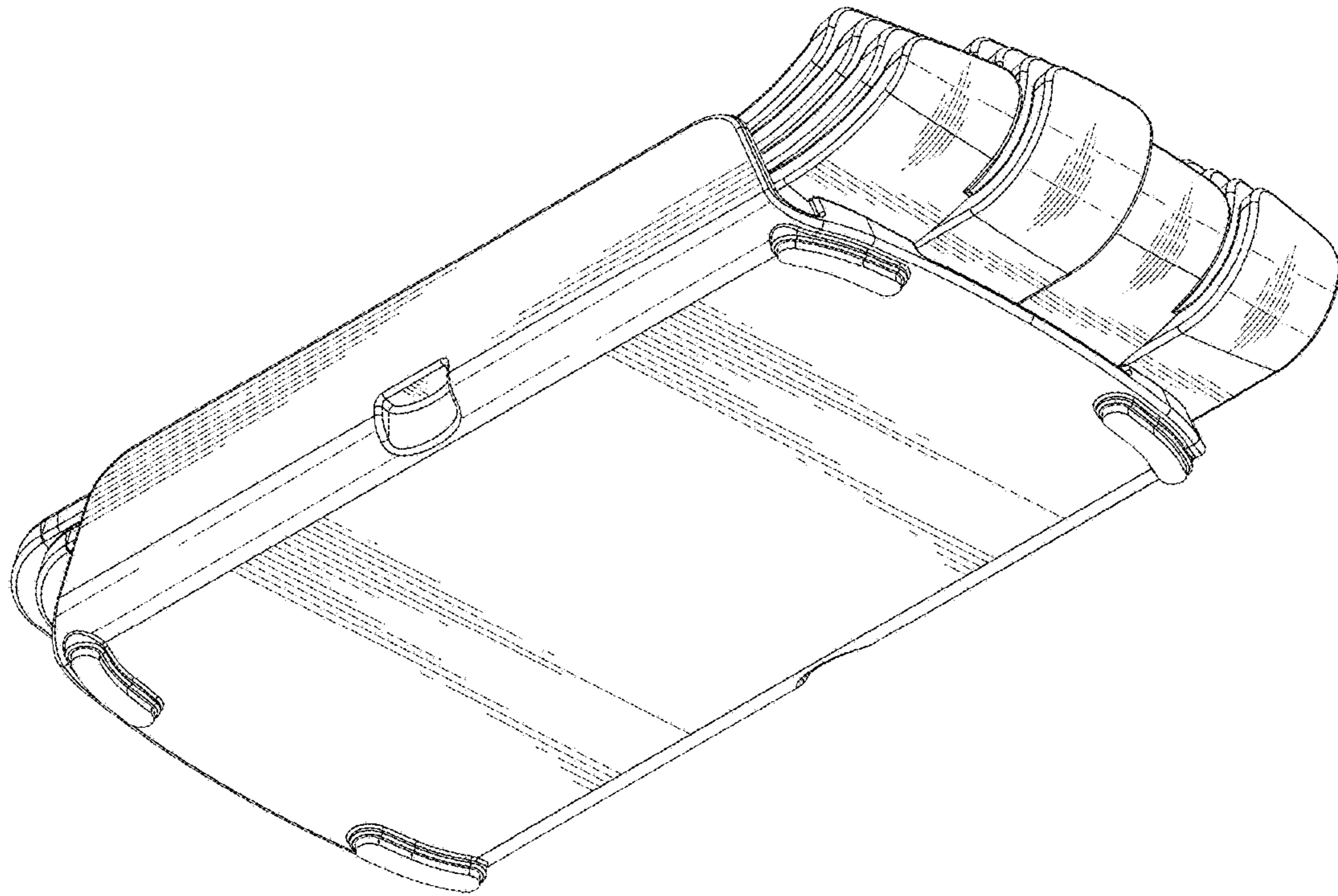


Figure 8

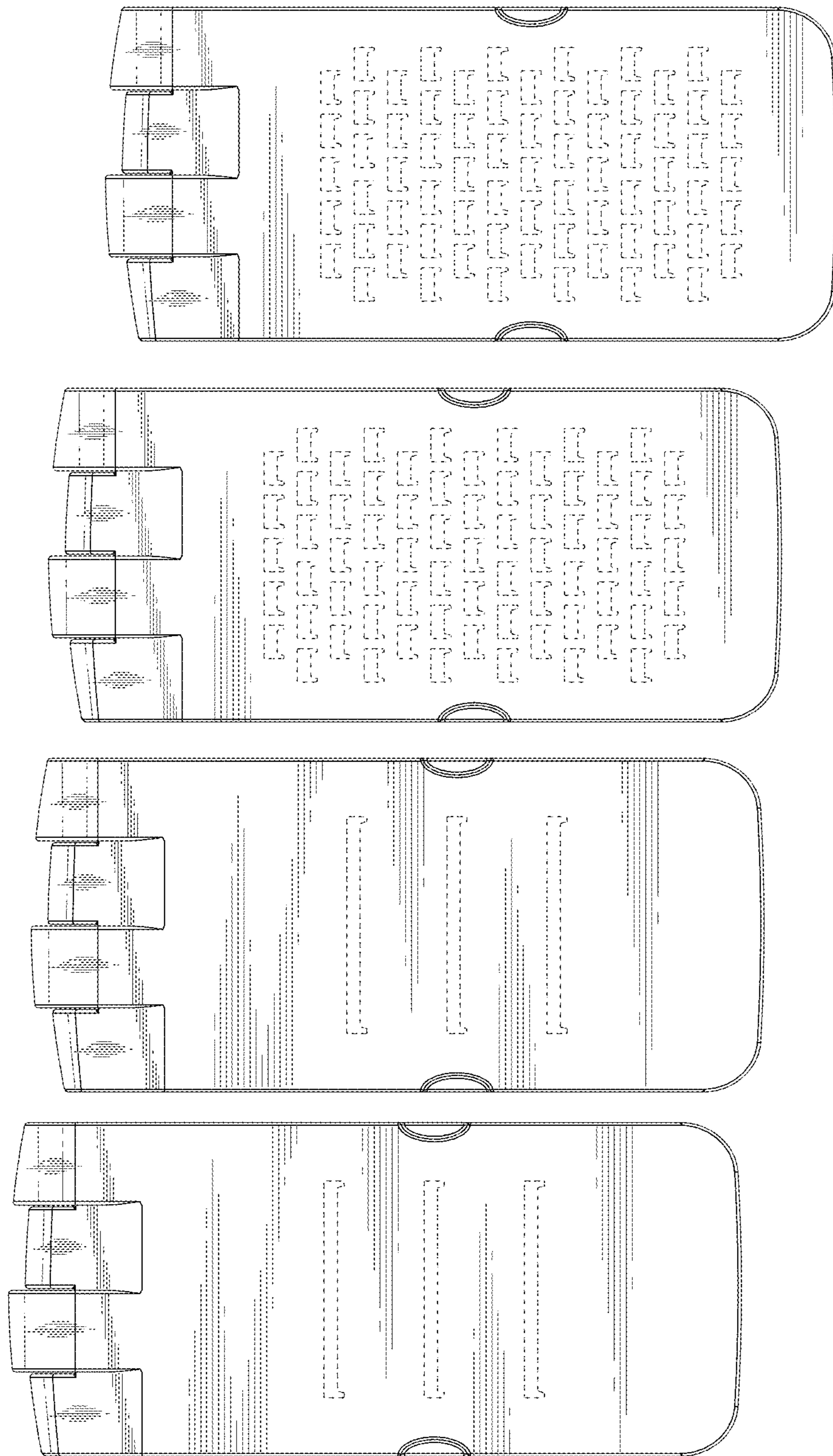


Figure 9

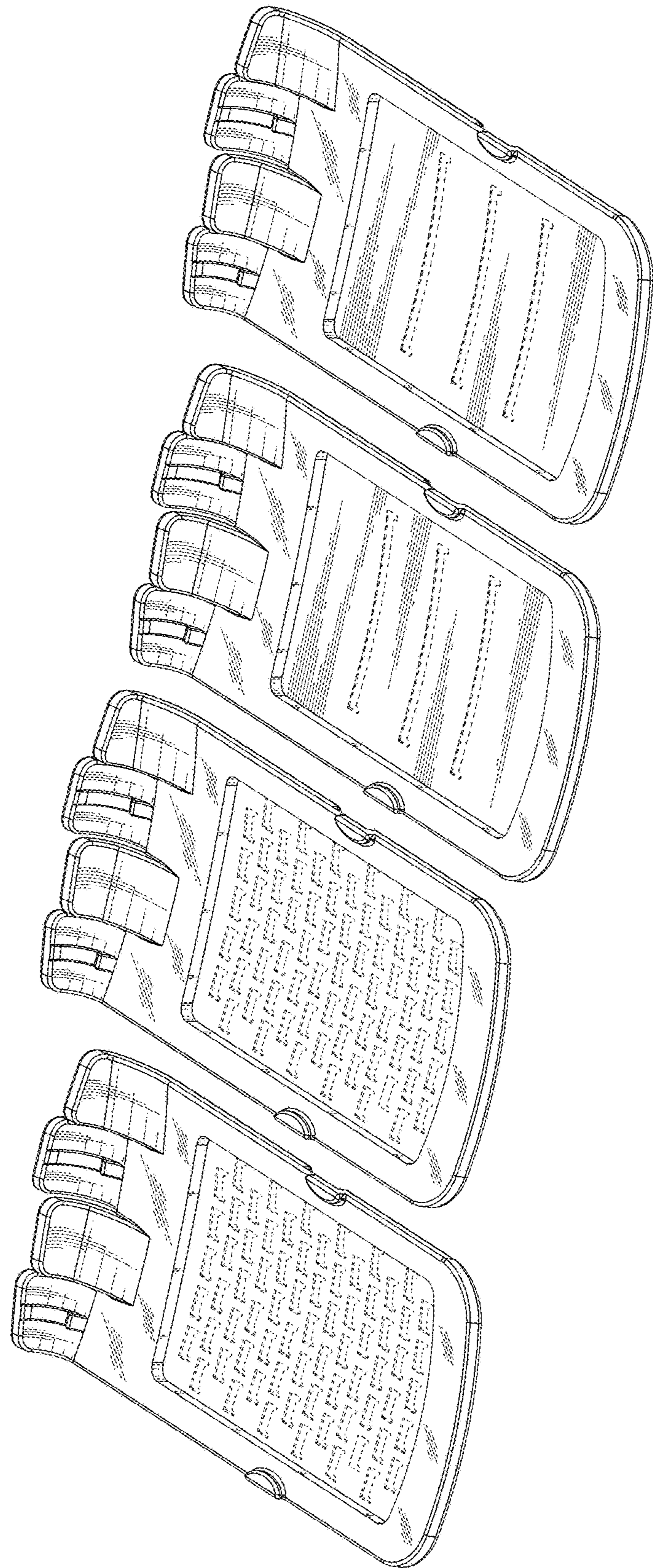


Figure 10

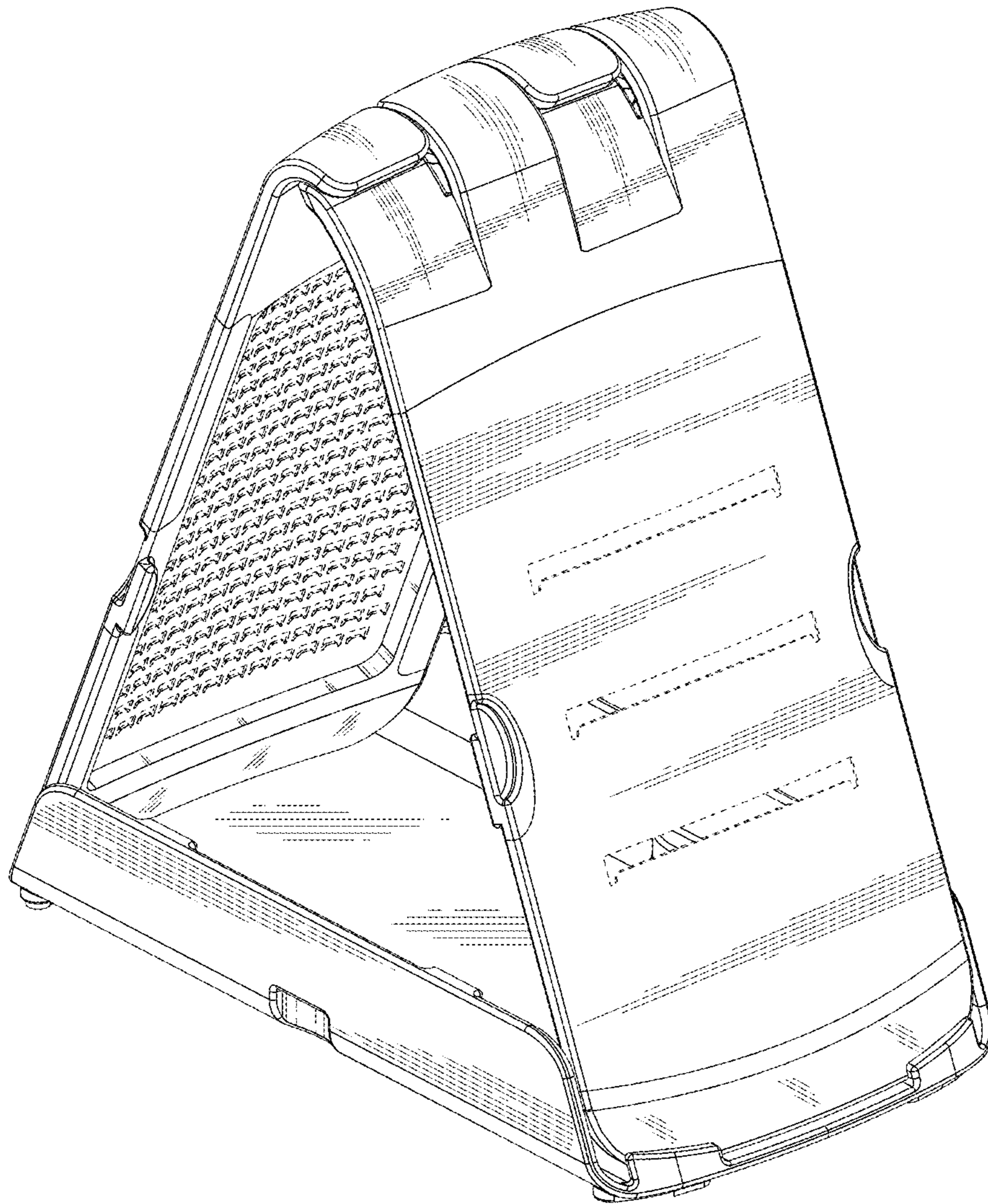


Figure 11

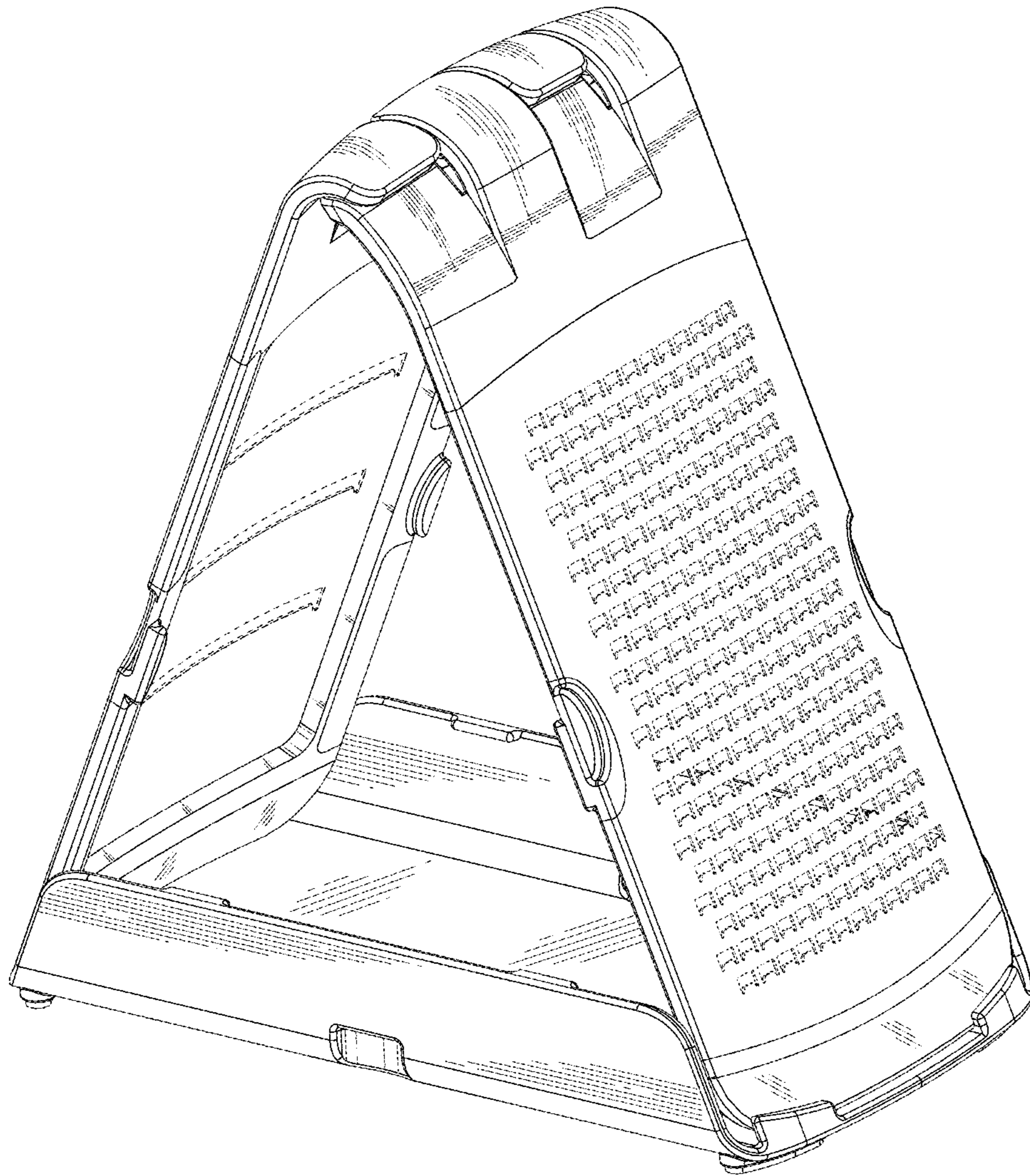


Figure 12