



US00D840770S

(12) **United States Design Patent** (10) **Patent No.:** **US D840,770 S**
Wettlaufer et al. (45) **Date of Patent:** **** Feb. 19, 2019**

(54) **HOPPER AND PRESSING CHAMBER FOR A JUICING MACHINE**

(71) Applicants: **Dale Wettlaufer**, Sarasota, FL (US);
Eric Wettlaufer, Buffalo, NY (US);
Thomas J. Heyden, Glenwood, NY (US); **Christopher George Flechtner**, Seattle, WA (US)

(72) Inventors: **Dale Wettlaufer**, Sarasota, FL (US);
Eric Wettlaufer, Buffalo, NY (US);
Thomas J. Heyden, Glenwood, NY (US); **Christopher George Flechtner**, Seattle, WA (US)

(73) Assignee: **Goodnature Products, Inc.**, Orchard Park, NY (US)

(**) Term: **15 Years**

(21) Appl. No.: **29/627,980**

(22) Filed: **Nov. 30, 2017**

(51) **LOC (11) Cl.** **31-00**

(52) **U.S. Cl.**
USPC **D7/665**

(58) **Field of Classification Search**
USPC D7/665, 669, 368, 323
CPC .. A23N 1/00; A23N 1/02; B30B 9/045; B30B 9/06; B30B 9/262; A47J 19/06; A47J 19/027; A47J 19/02; A47J 19/025
See application file for complete search history.

(56) **References Cited**

U.S. PATENT DOCUMENTS

D725,439 S * 3/2015 Kim D7/665
D774,848 S * 12/2016 Flotats Molinas D7/665

* cited by examiner

Primary Examiner — Terry A Wallace

(74) *Attorney, Agent, or Firm* — Woods Oviatt Gilman LLP; Katherine H. McGuire, Esq.

(57) **CLAIM**

The ornamental design for the hopper and pressing chamber for a juicing machine, as shown and described.

DESCRIPTION

FIG. 1 is a front perspective view of a hopper and pressing chamber for a juicing machine of our new design shown in environment;

FIG. 2 is a front perspective view of a hopper and pressing chamber for a juicing machine of our new design with the environmental mounting unit removed;

FIG. 3 is a left side view thereof;

FIG. 4 is a right side view thereof;

FIG. 5 is a back view thereof;

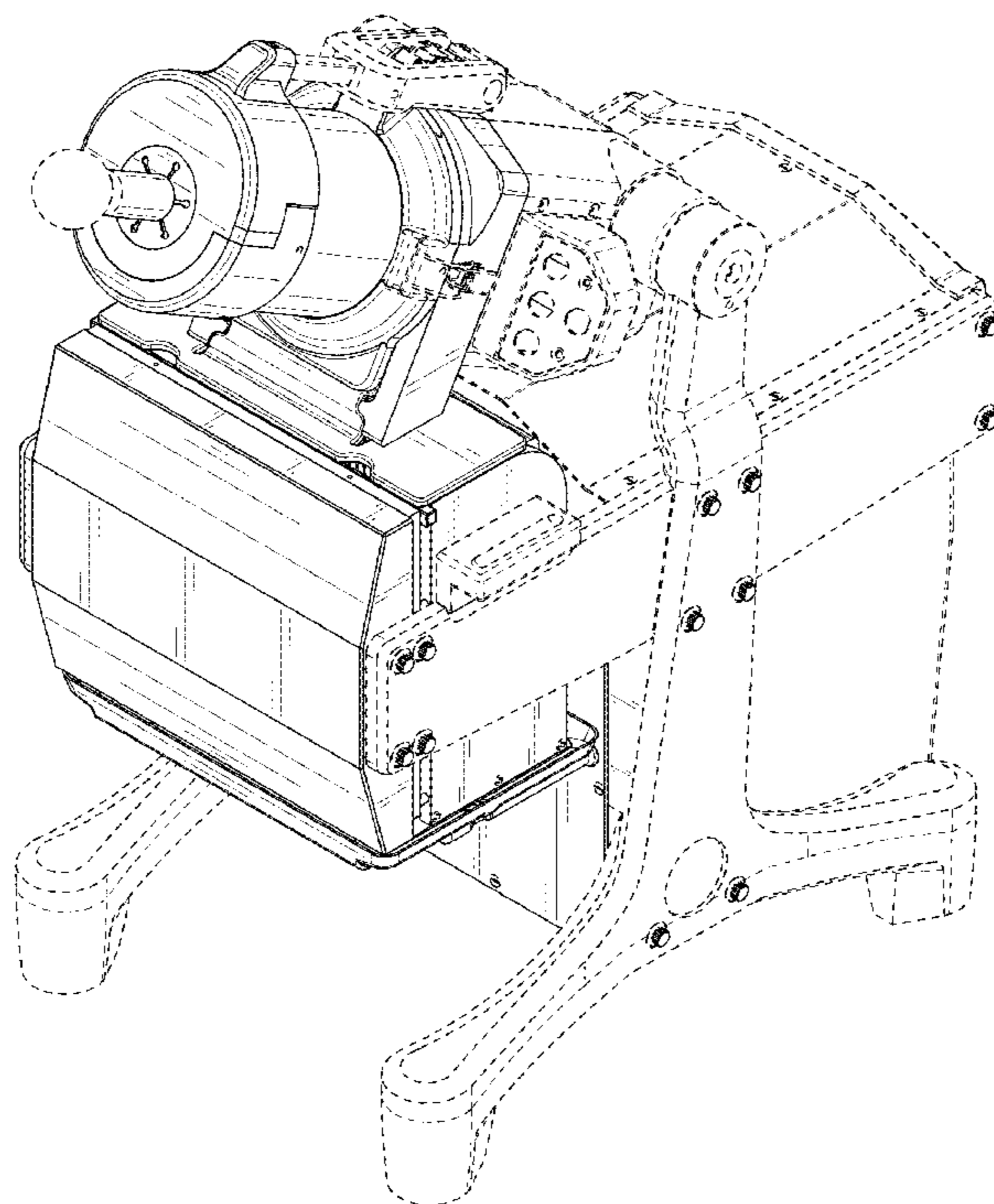
FIG. 6 is a front view thereof;

FIG. 7 is a top view thereof; and,

FIG. 8 is a bottom view thereof.

The portions of the drawings shown in broken lines form no part of the claimed design.

1 Claim, 8 Drawing Sheets



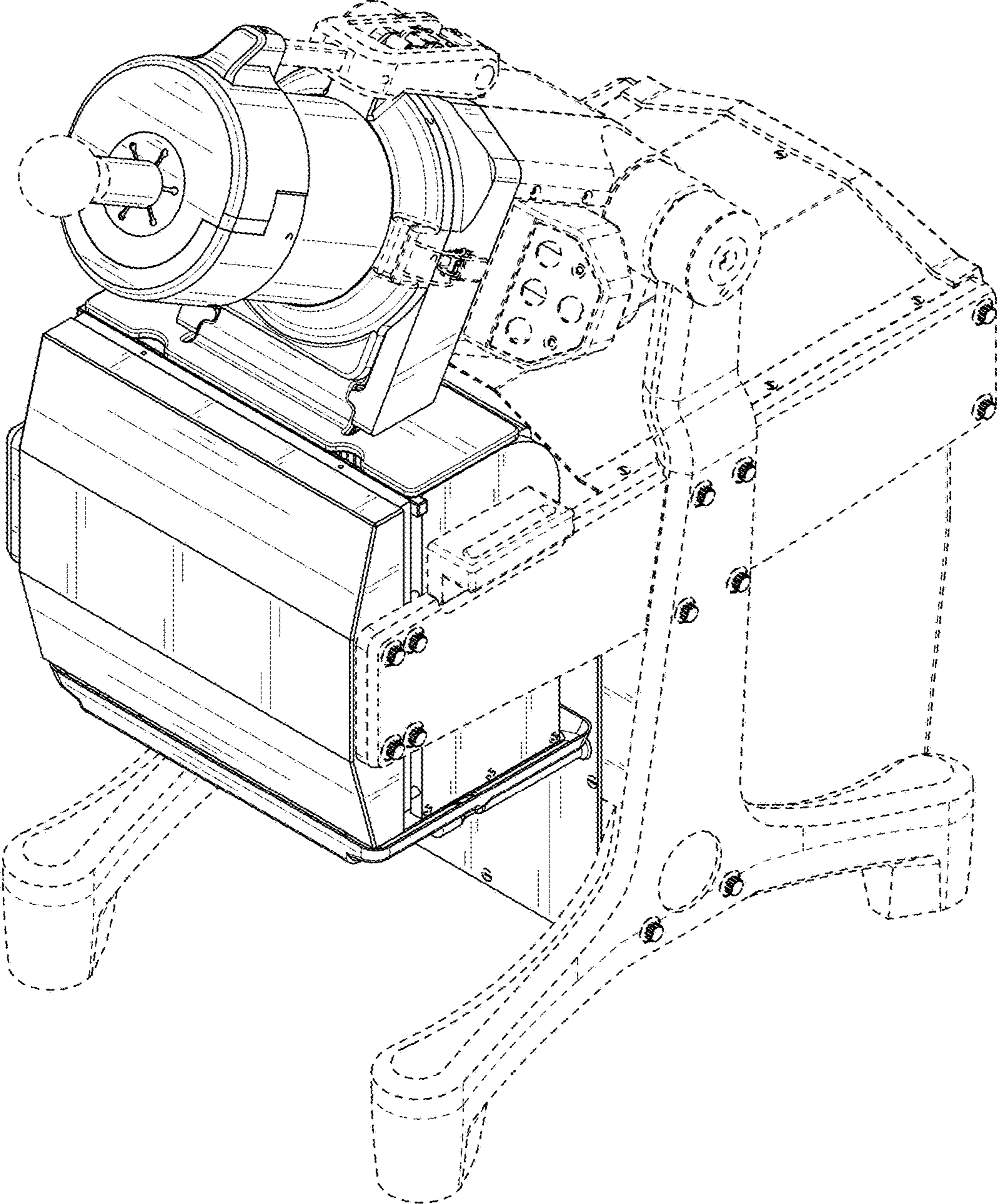


FIG. 1

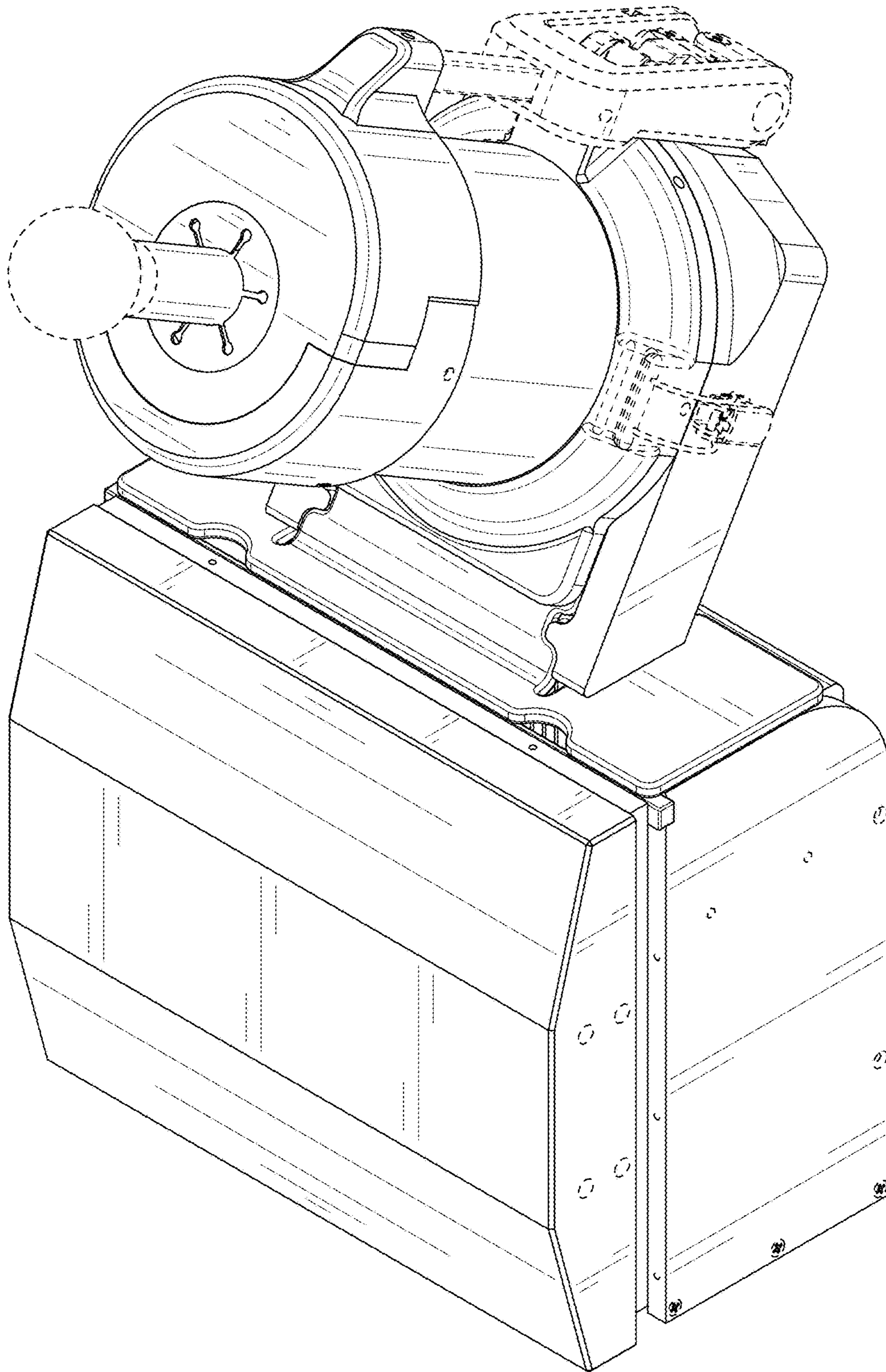


FIG. 2

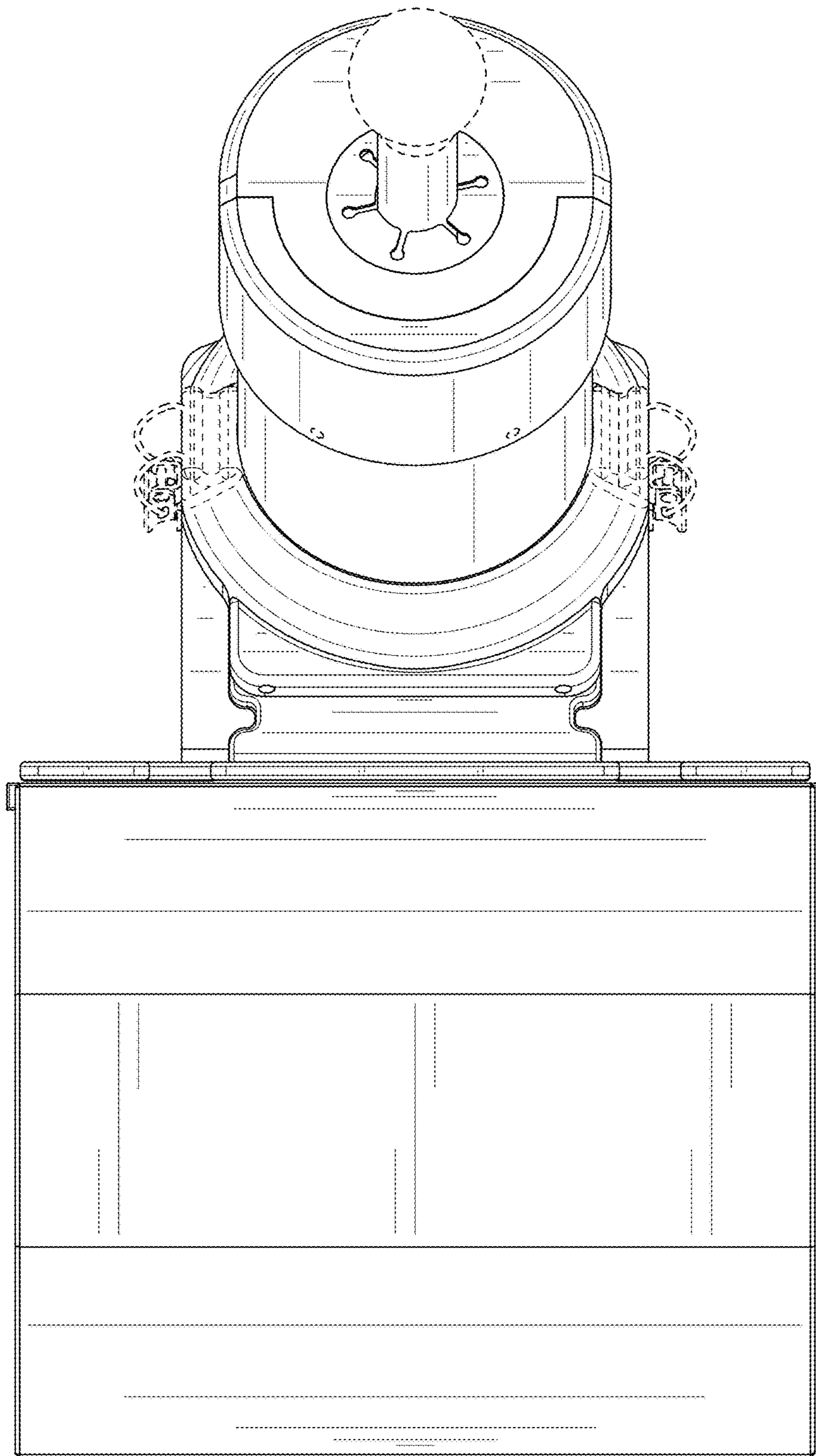


FIG. 3

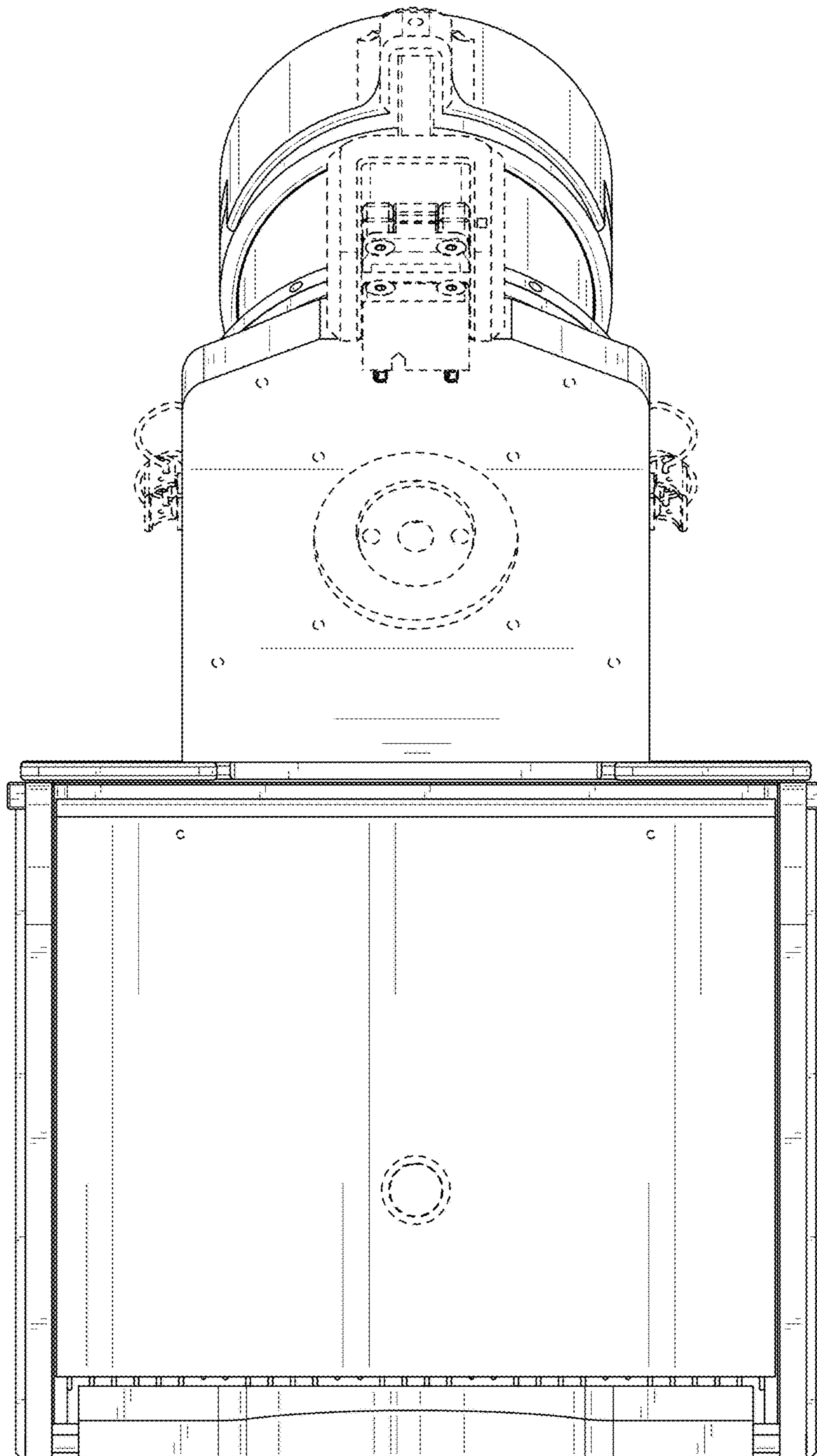


FIG. 4

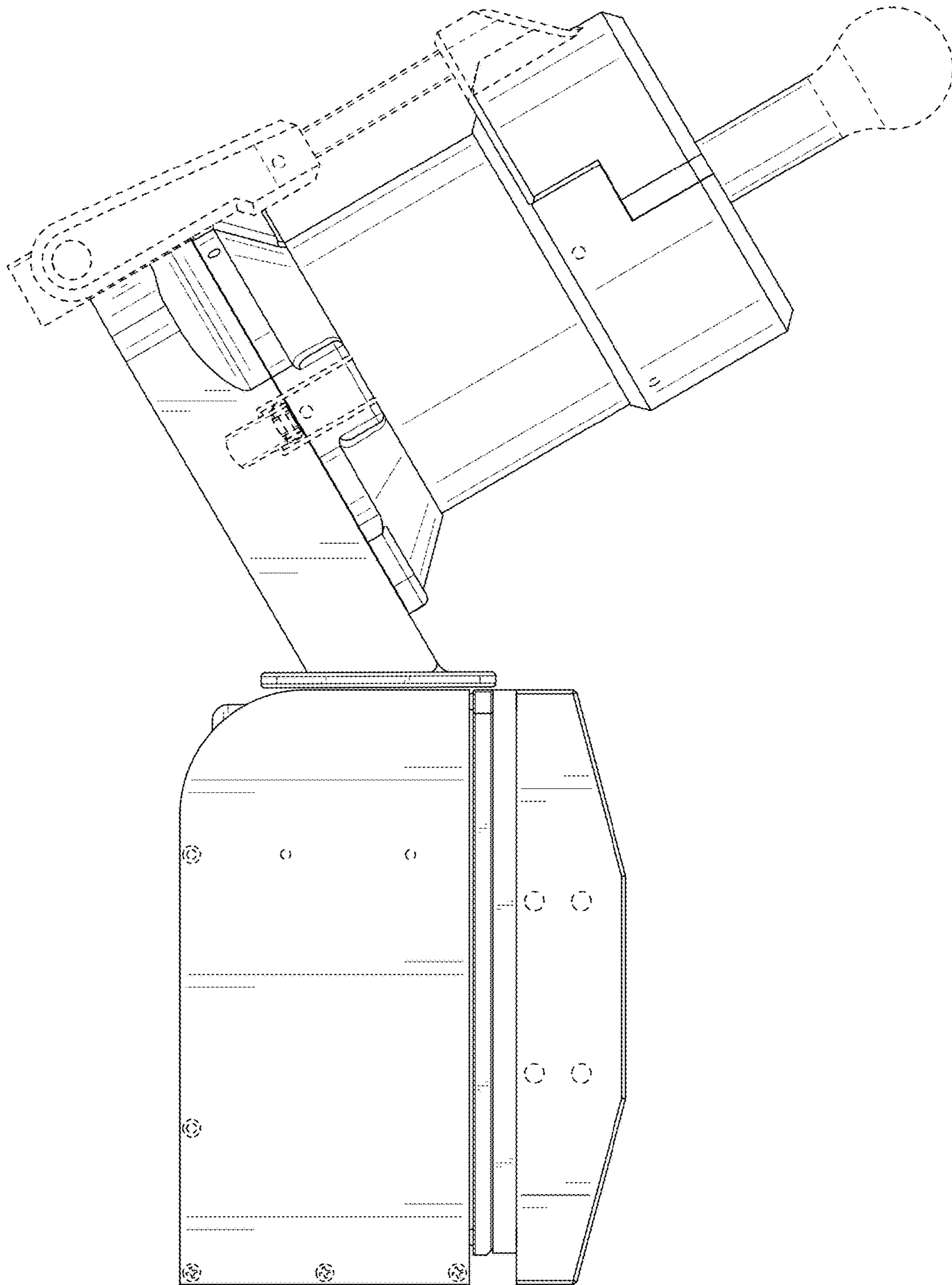


FIG. 5

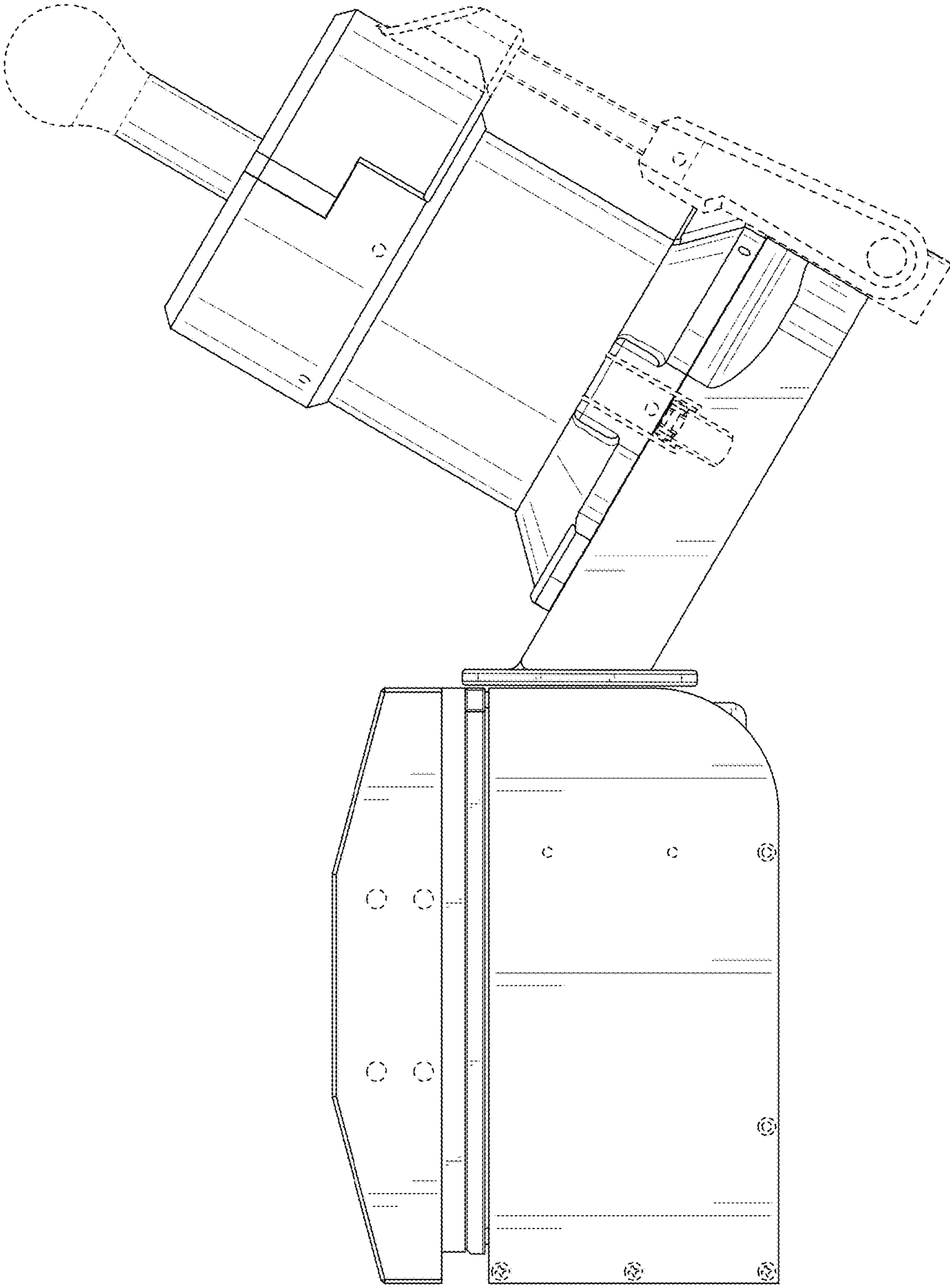


FIG. 6

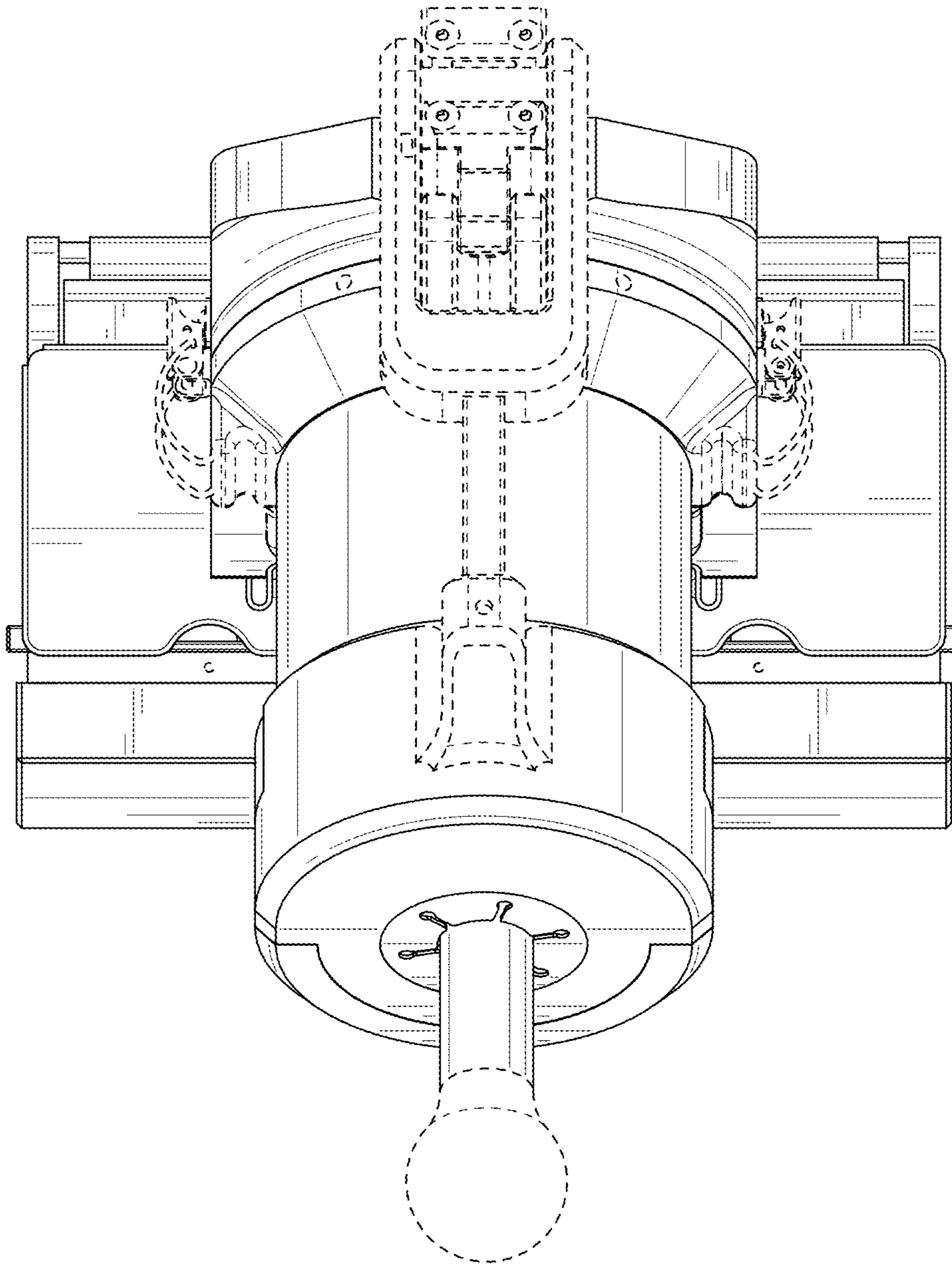


FIG. 7

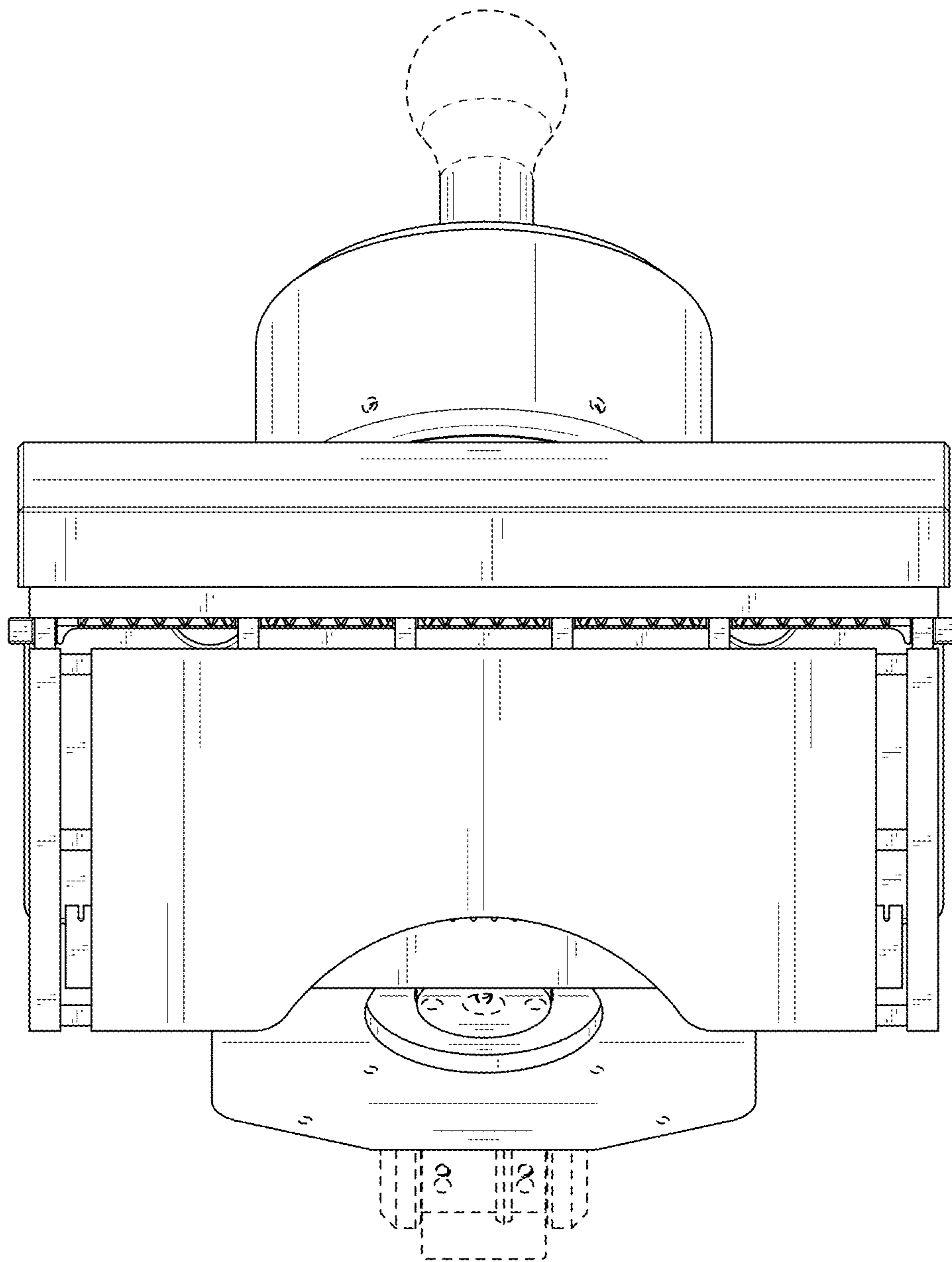


FIG. 8