



US00D840767S

(12) **United States Design Patent**
Dittrich et al.

(10) **Patent No.:** **US D840,767 S**

(45) **Date of Patent:** **** Feb. 19, 2019**

(54) **NAPKIN HOLDER**

(71) Applicant: **Spectrum Diversified Designs, LLC**,
Streetsboro, OH (US)

(72) Inventors: **Megan Dittrich**, Twinsburg, OH (US);
Aaron D. Goodman, Beachwood, OH (US)

(73) Assignee: **Spectrum Diversified Designs, LLC**,
Streetsboro, OH (US)

(**) Term: **15 Years**

(21) Appl. No.: **29/633,593**

(22) Filed: **Jan. 15, 2018**

(51) **LOC (11) Cl.** **07-07**

(52) **U.S. Cl.**
USPC **D7/631**

(58) **Field of Classification Search**

USPC D7/631-634, 637-641; D19/75, 81-86;
D32/55, 58; 211/13.1, 70.6, 70.7, 73, 74,
211/60.1, 70.1, 71.01, 85.31, 85.4, 133.5,
211/181.1; 248/37.3, 37.6, 176.1, 175
CPC A45D 44/04; A45D 44/06; A47F 7/00;
A47F 13/00; A47G 19/08; A47G
25/1464; A47J 47/16; A47L 15/50; A47L
15/503; A47L 15/505

See application file for complete search history.

(56) **References Cited**

U.S. PATENT DOCUMENTS

D231,137 S * 4/1974 Jublin D19/90
D316,114 S * 4/1991 Hwang D19/75

D322,002 S * 12/1991 Emery D6/566
D436,463 S * 1/2001 Goodman D6/678.4
D450,543 S * 11/2001 Hannum D7/631
D515,881 S * 2/2006 Berger D7/631
D563,734 S * 3/2008 Snell D7/631
D784,771 S 4/2017 Goodman et al.

* cited by examiner

Primary Examiner — Derrick E Holland

Assistant Examiner — Janice Patyk

(74) *Attorney, Agent, or Firm* — Renner, Otto, Boisselle
and Sklar, LLP

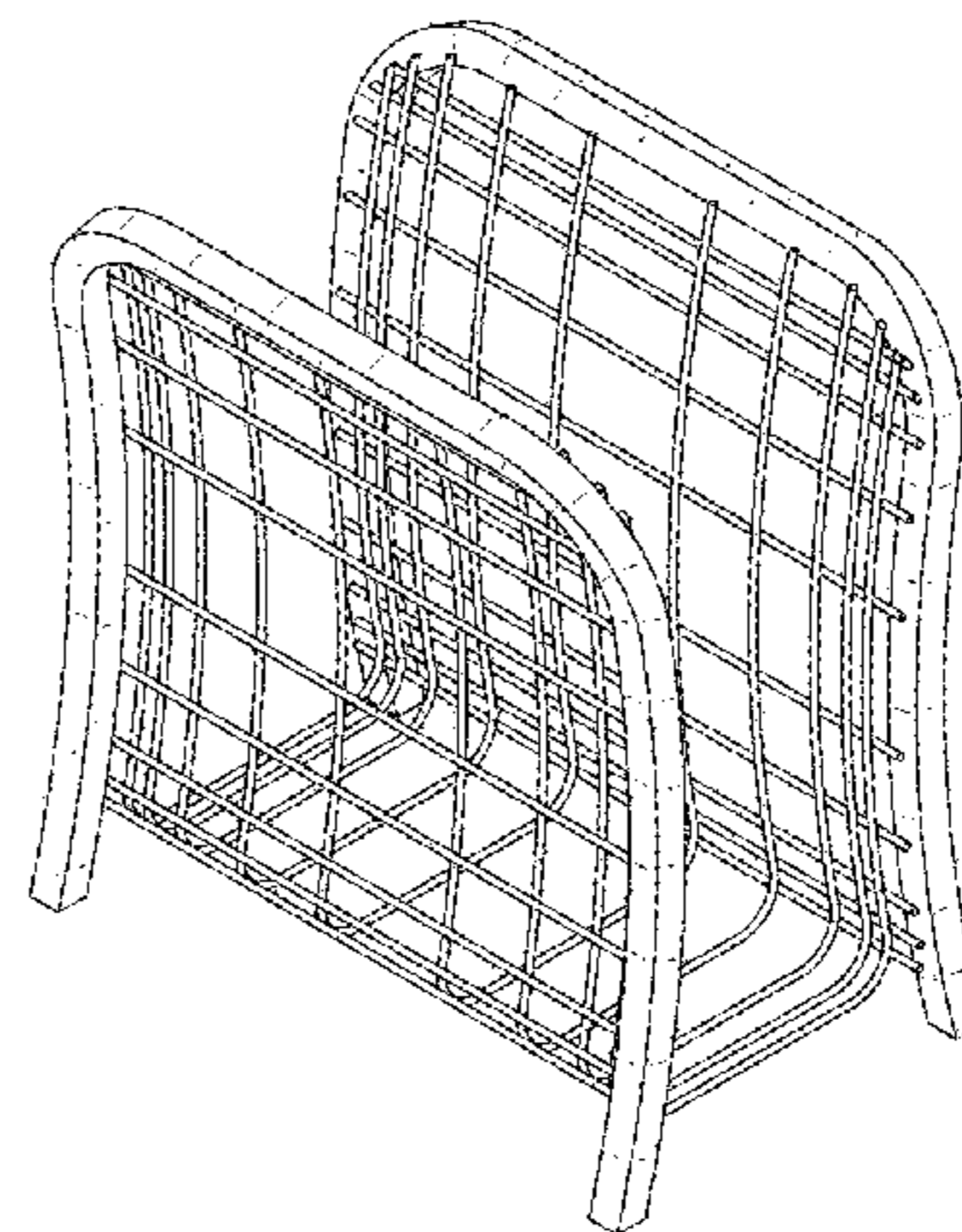
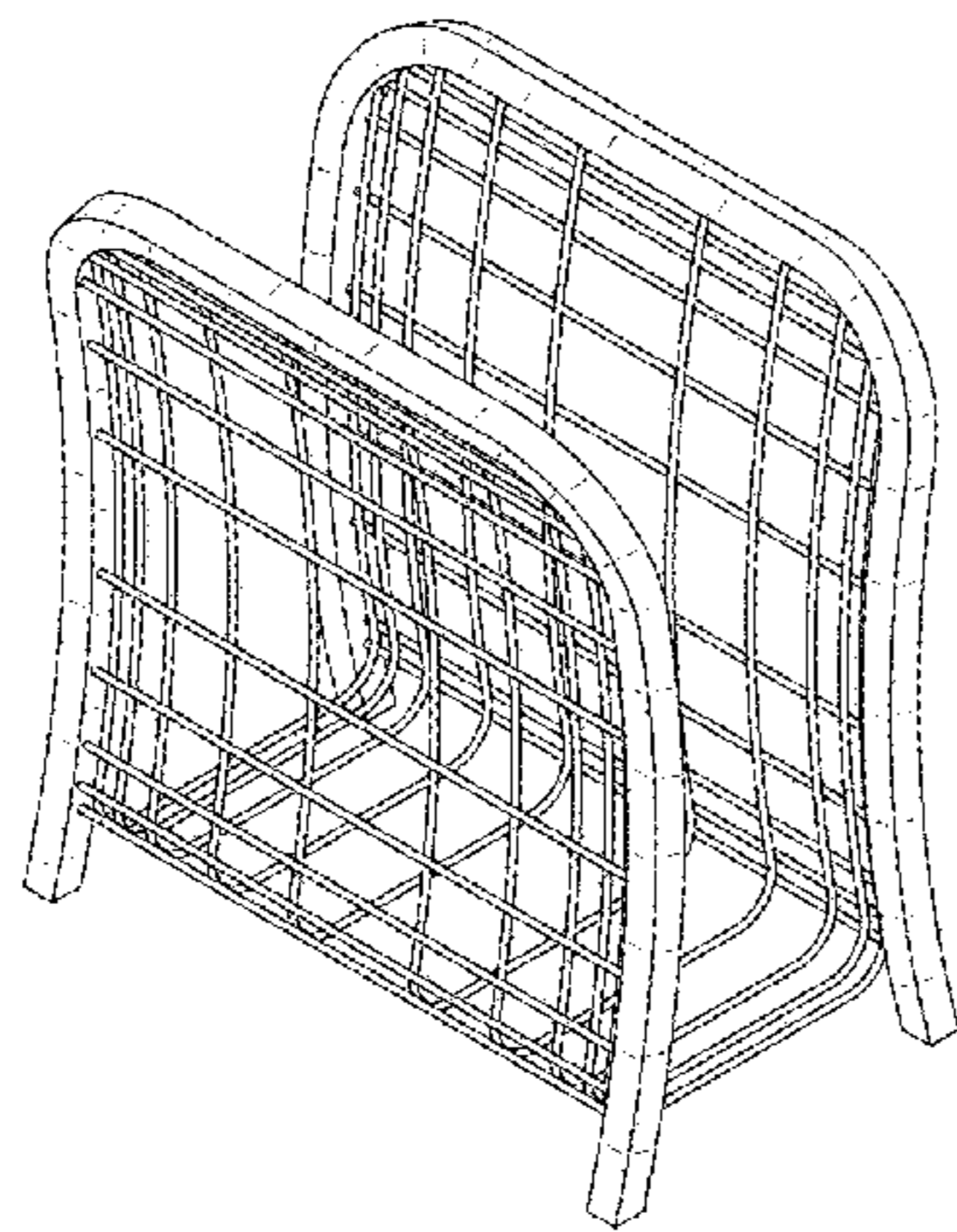
(57) **CLAIM**

The ornamental design for a napkin holder, as shown and
described.

DESCRIPTION

FIG. 1 is a top, right, front perspective view of a first
embodiment of a napkin holder showing our new design;
FIG. 2 is a front elevation view thereof;
FIG. 3 is a rear elevation view thereof;
FIG. 4 is a right side elevation view thereof;
FIG. 5 is a left side elevation view thereof;
FIG. 6 is a top plan view thereof;
FIG. 7 is a bottom plan view thereof;
FIG. 8 is a top, right, front perspective view of a second
embodiment of a napkin holder showing our new design;
FIG. 9 is a front elevation view thereof;
FIG. 10 is a rear elevation view thereof;
FIG. 11 is a right side elevation view thereof;
FIG. 12 is a left side elevation view thereof;
FIG. 13 is a top plan view thereof; and,
FIG. 14 is a bottom plan view thereof.

1 Claim, 8 Drawing Sheets



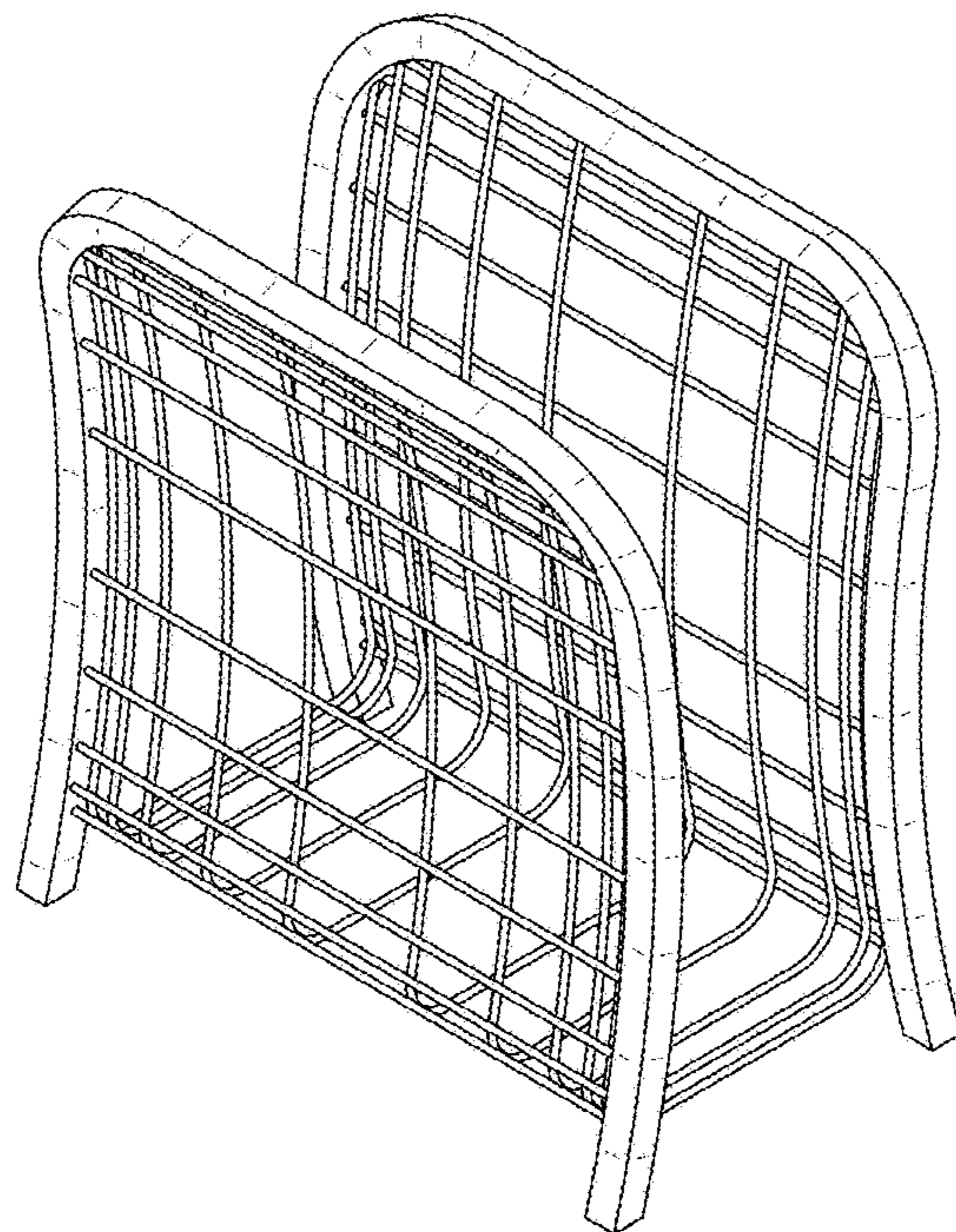


FIG. 1

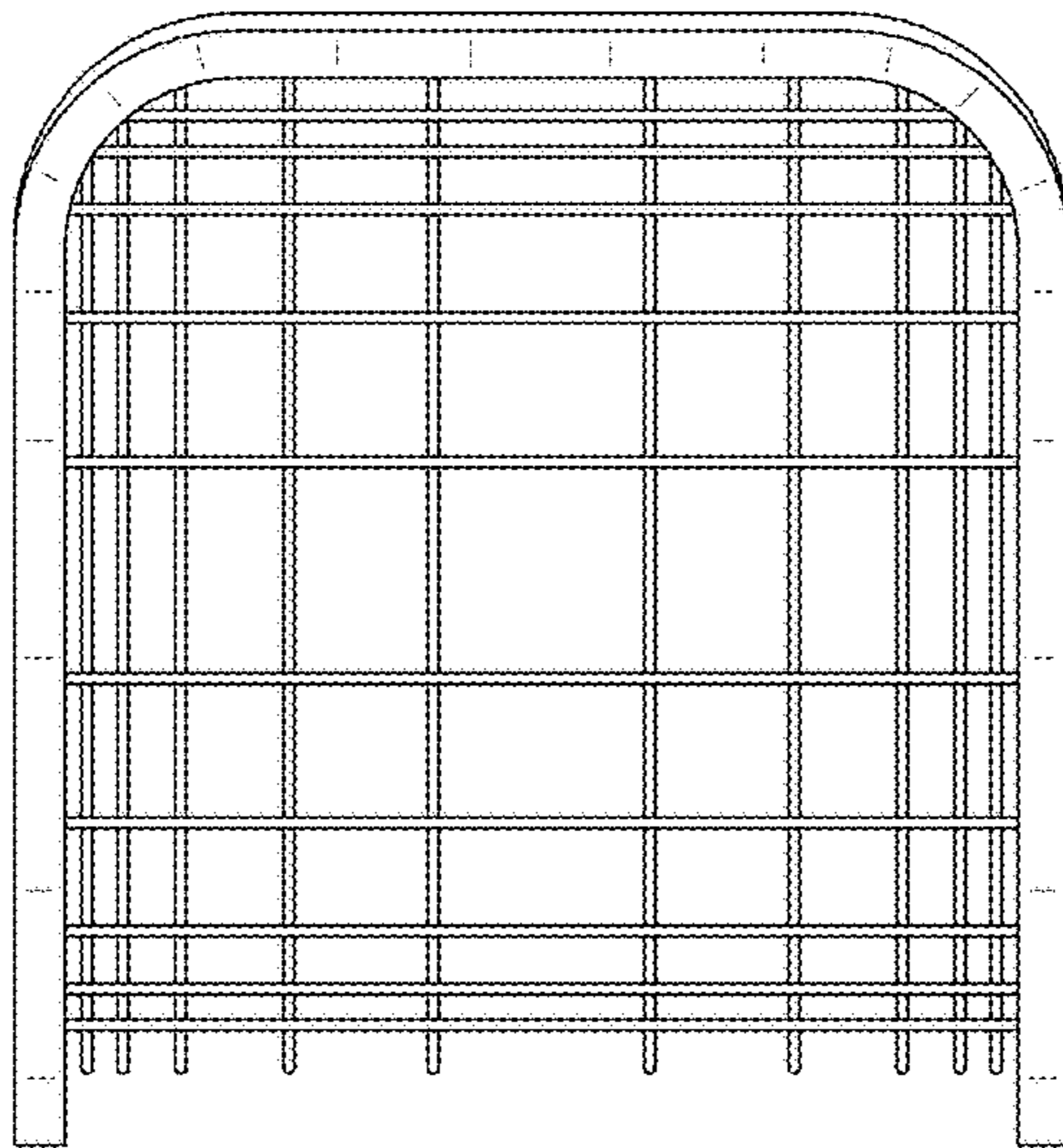


FIG. 2

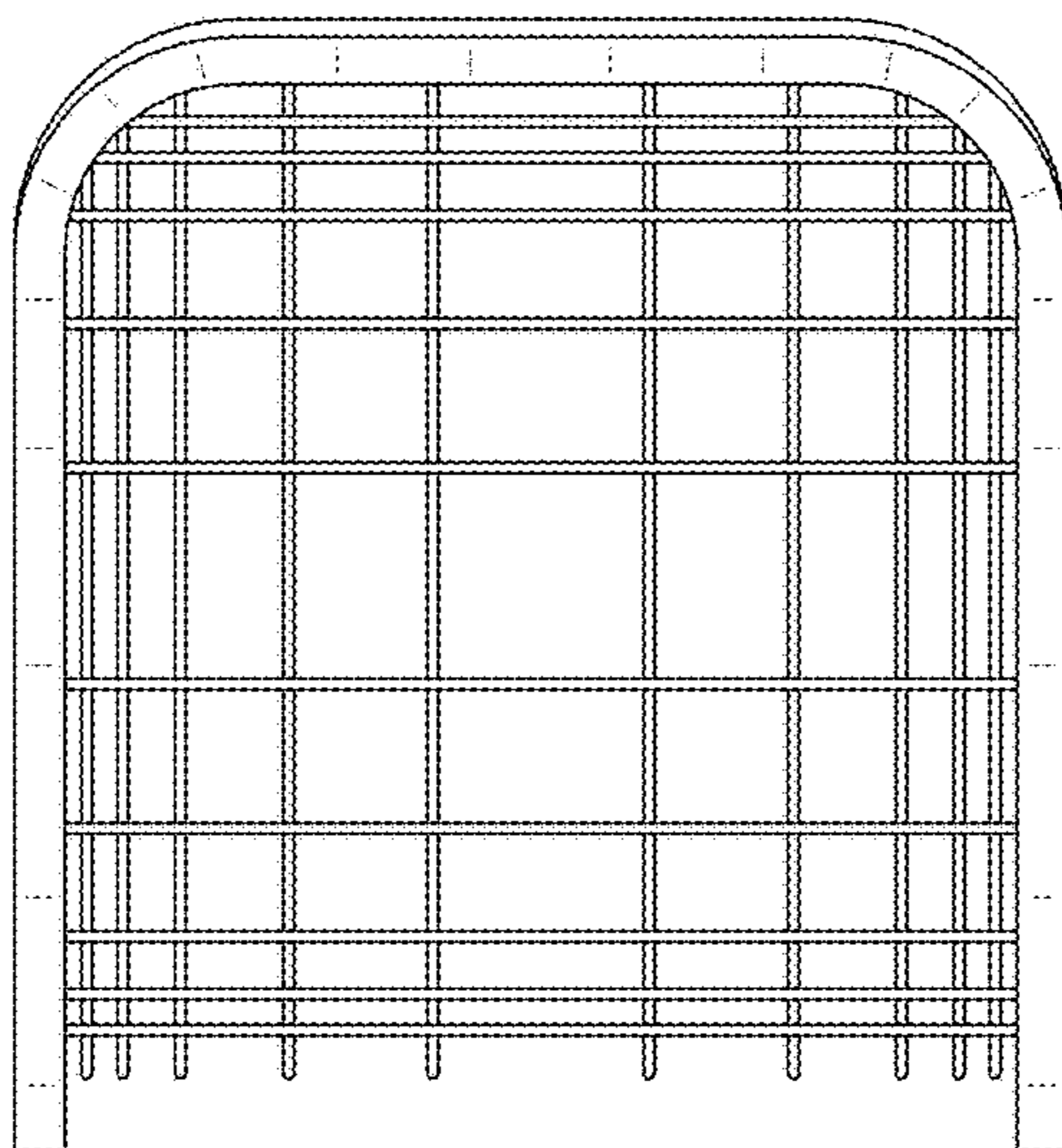


FIG. 3

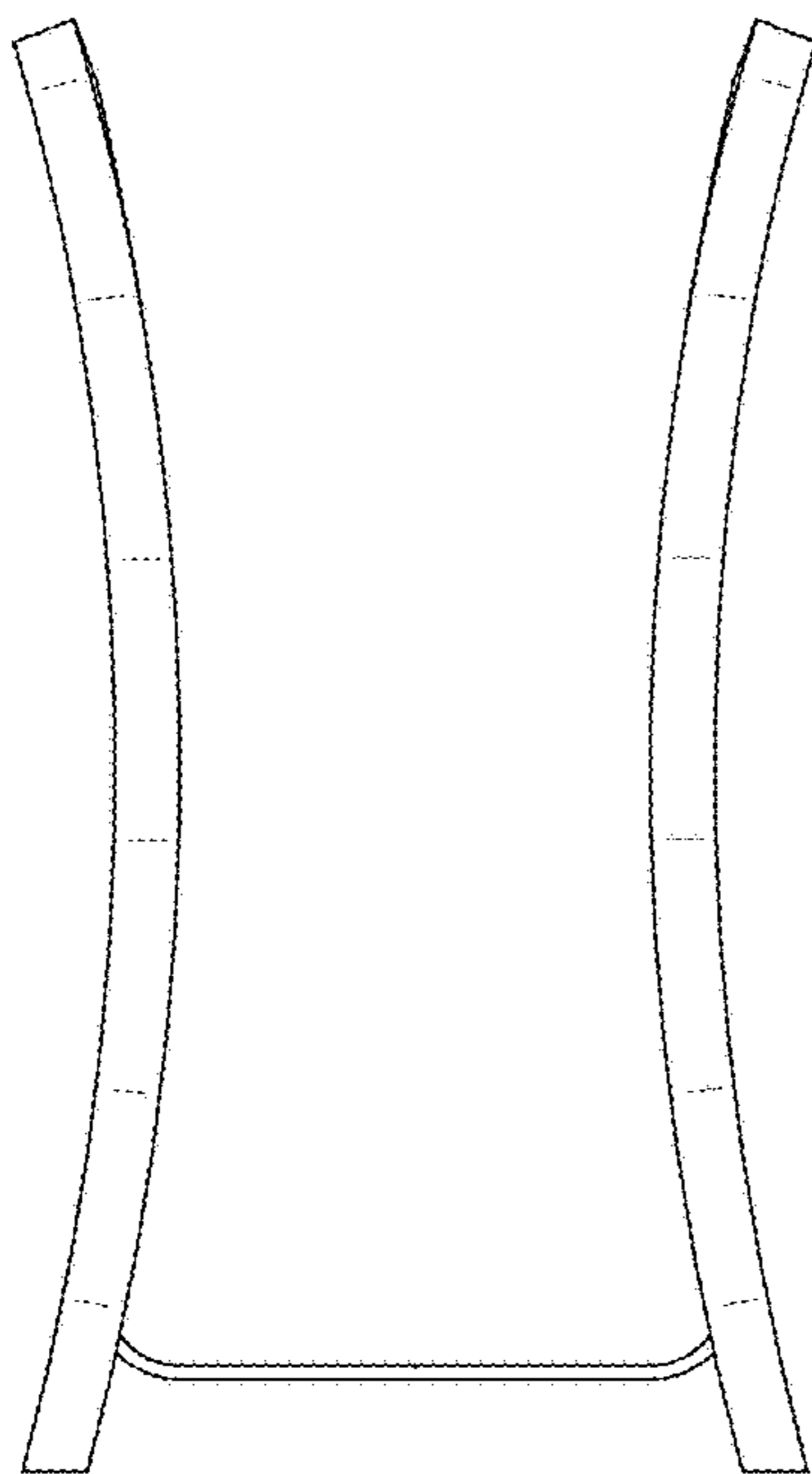


FIG. 4

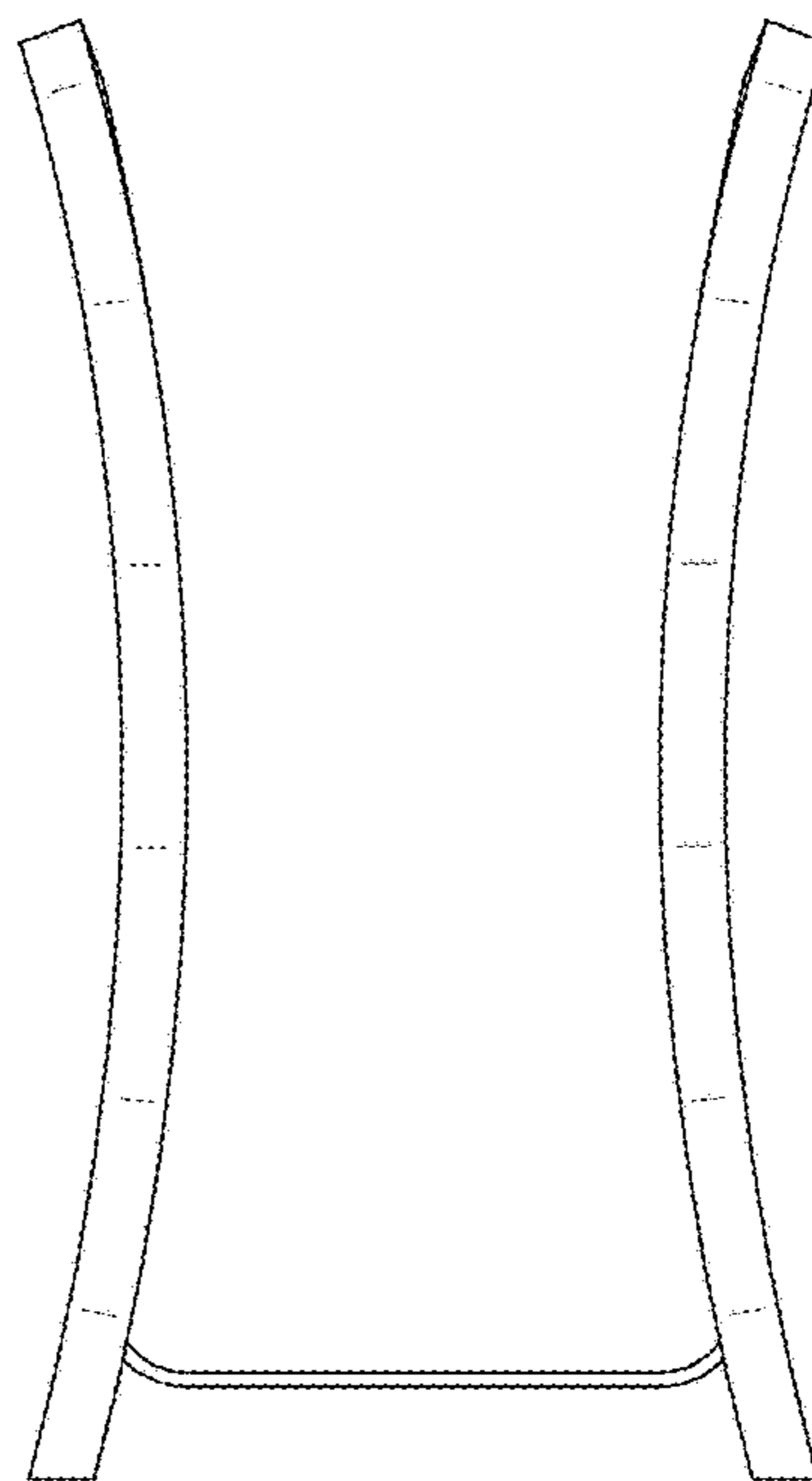


FIG. 5

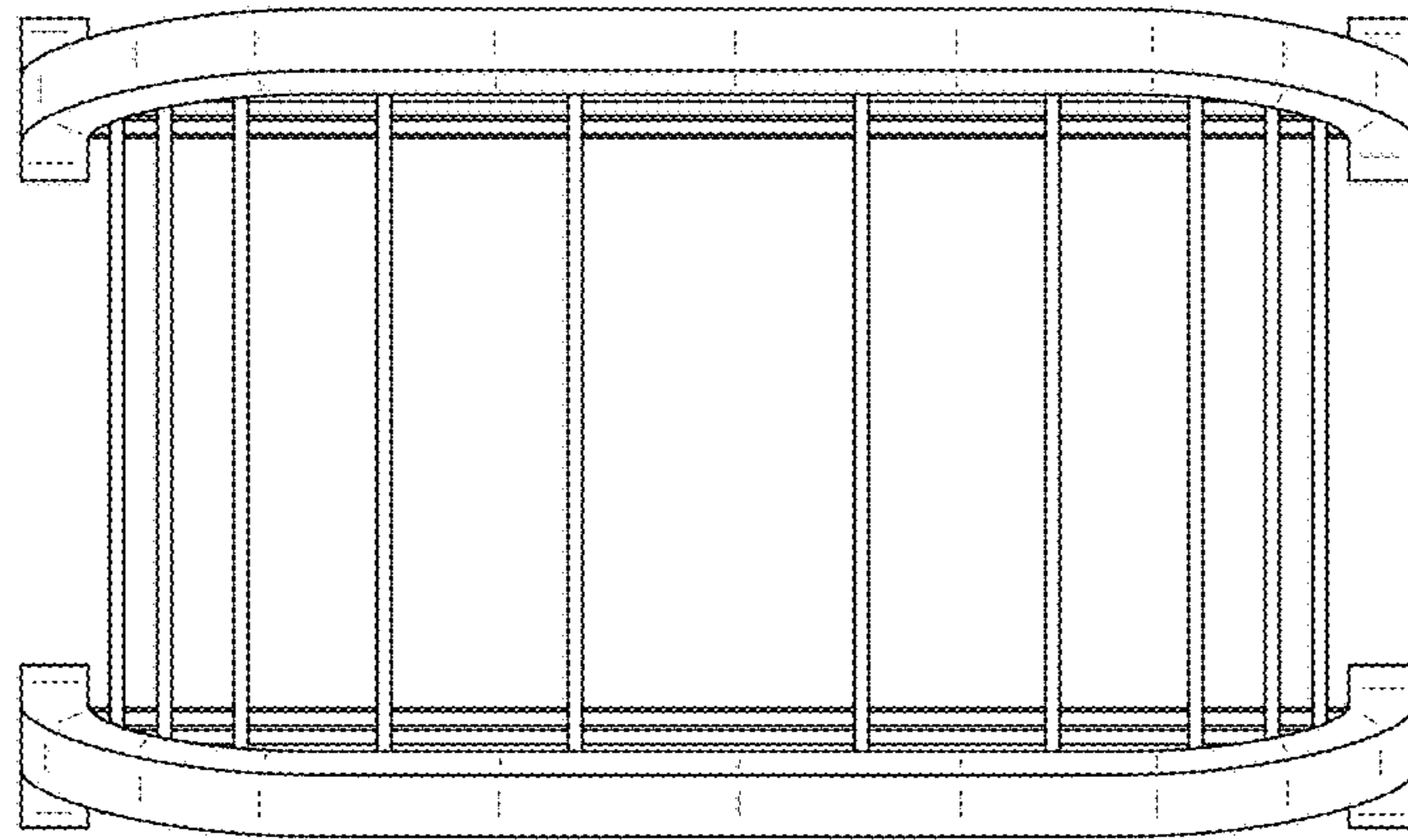


FIG. 6

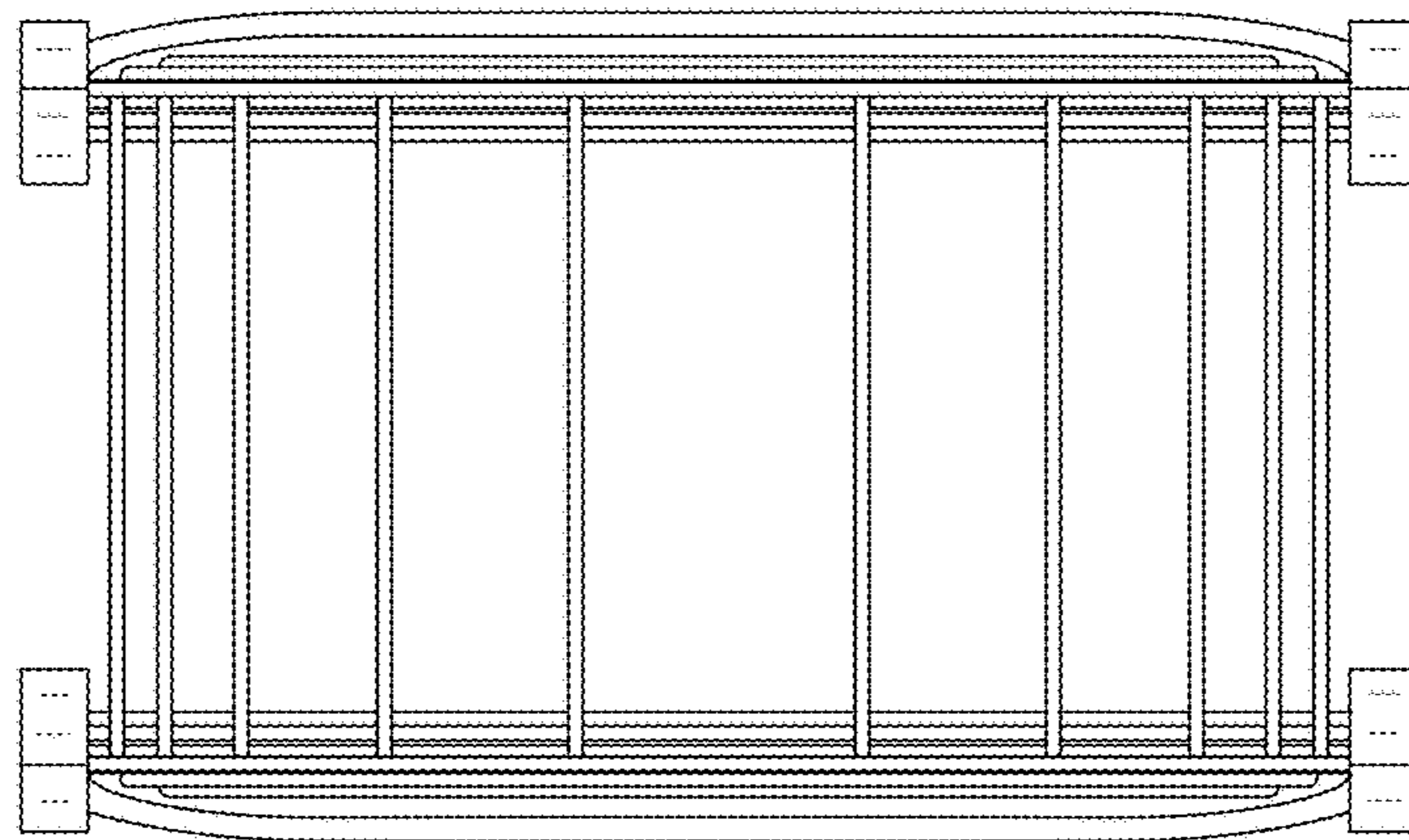


FIG. 7

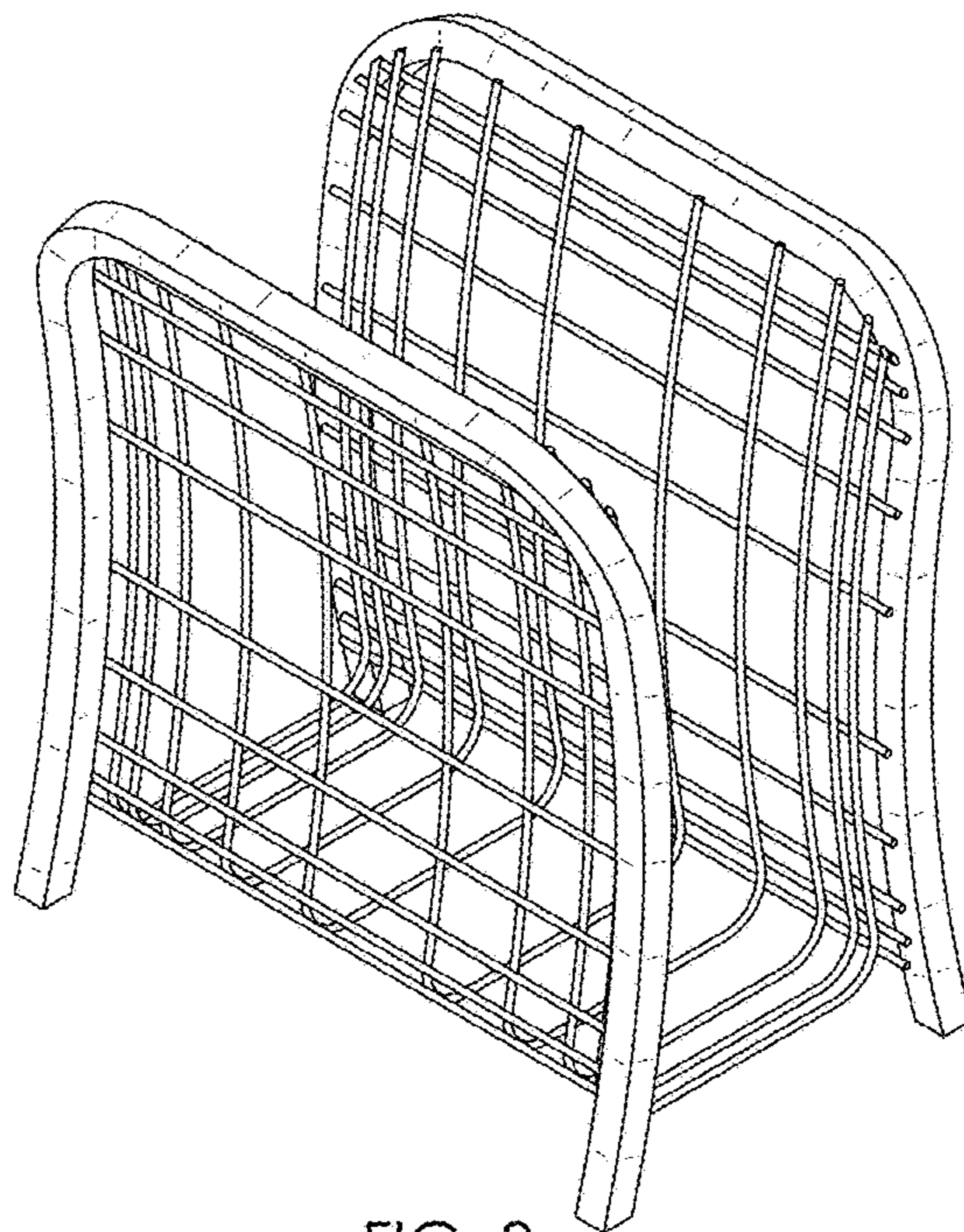


FIG. 8

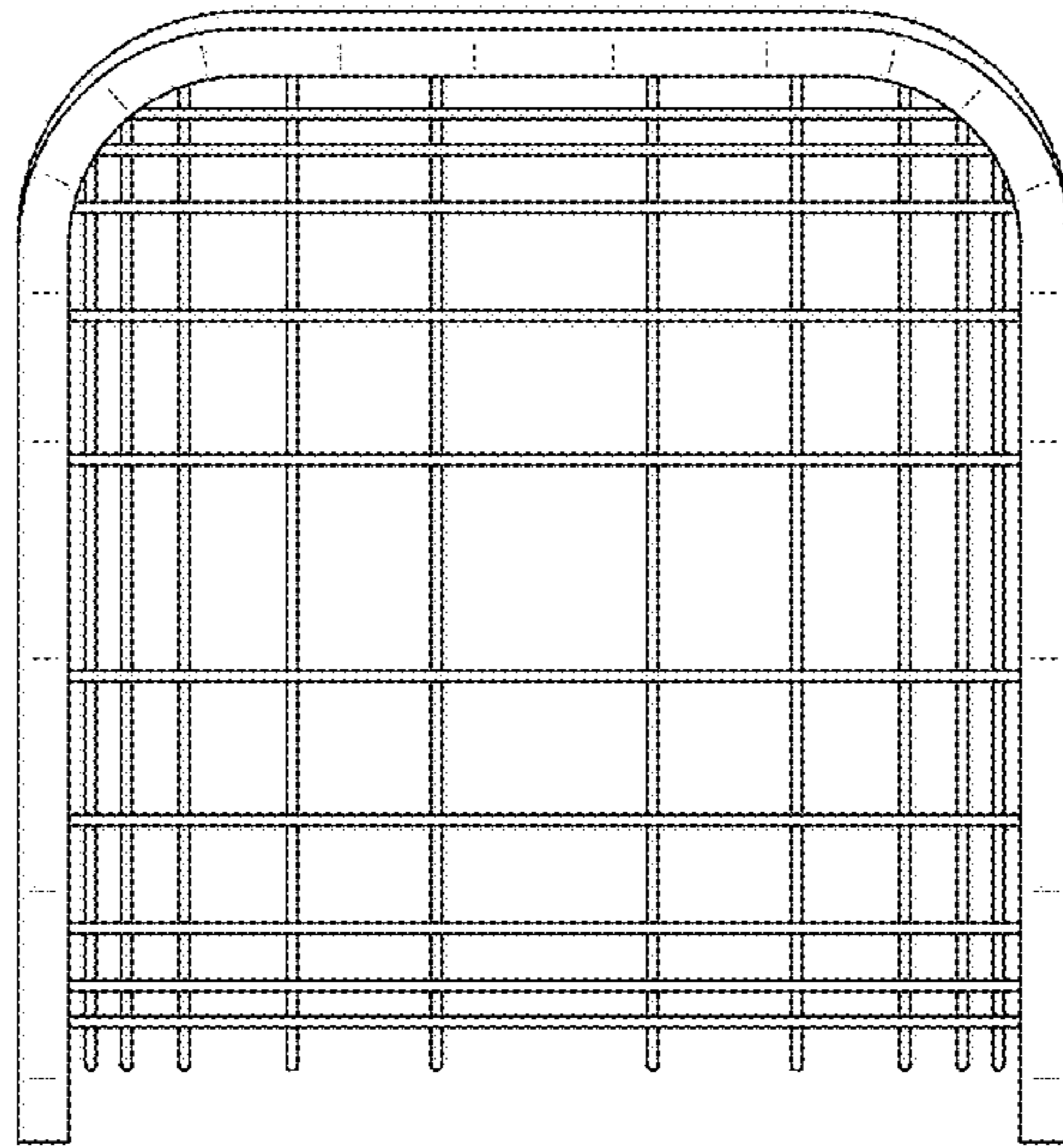


FIG. 9

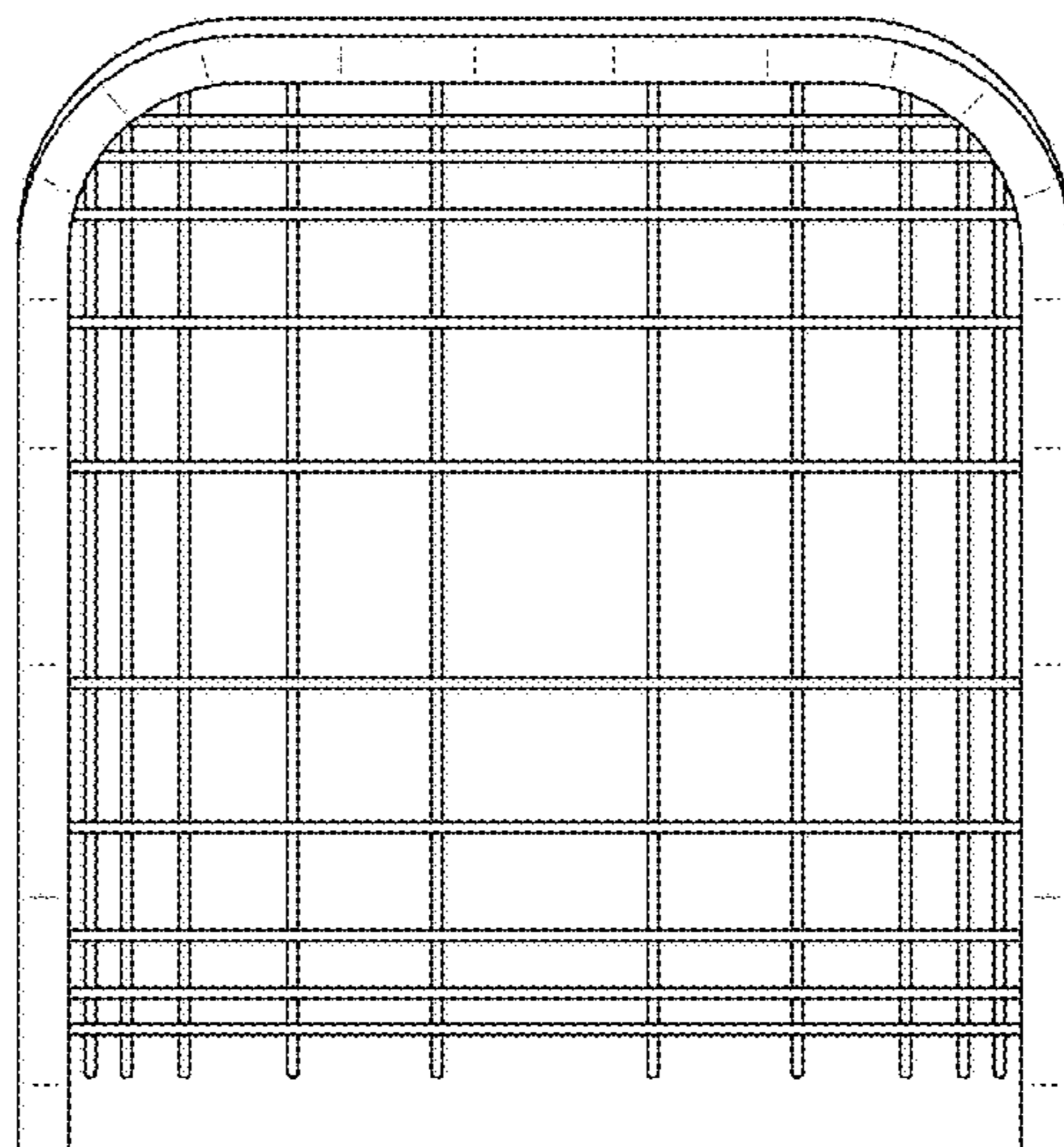


FIG. 10

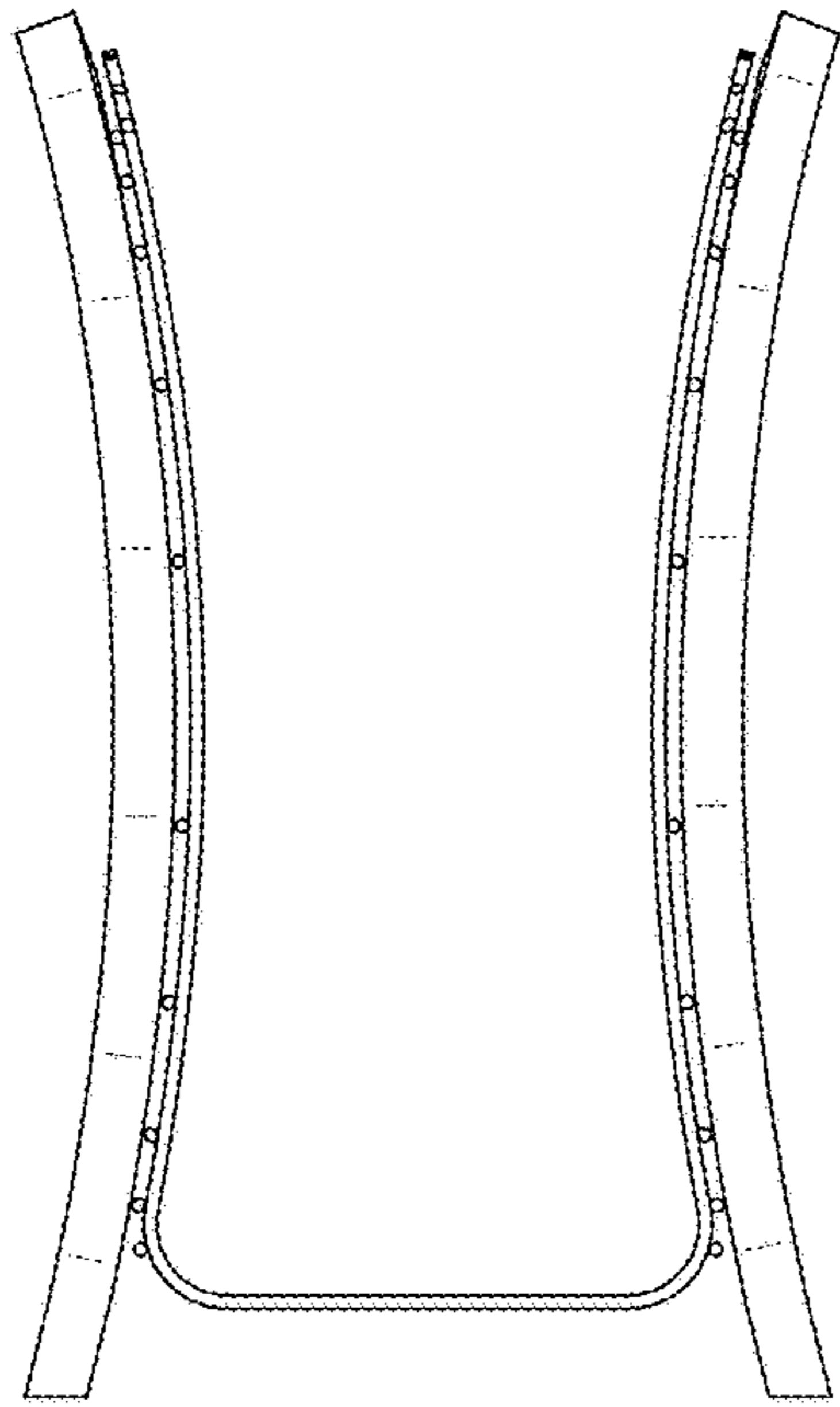


FIG. 11

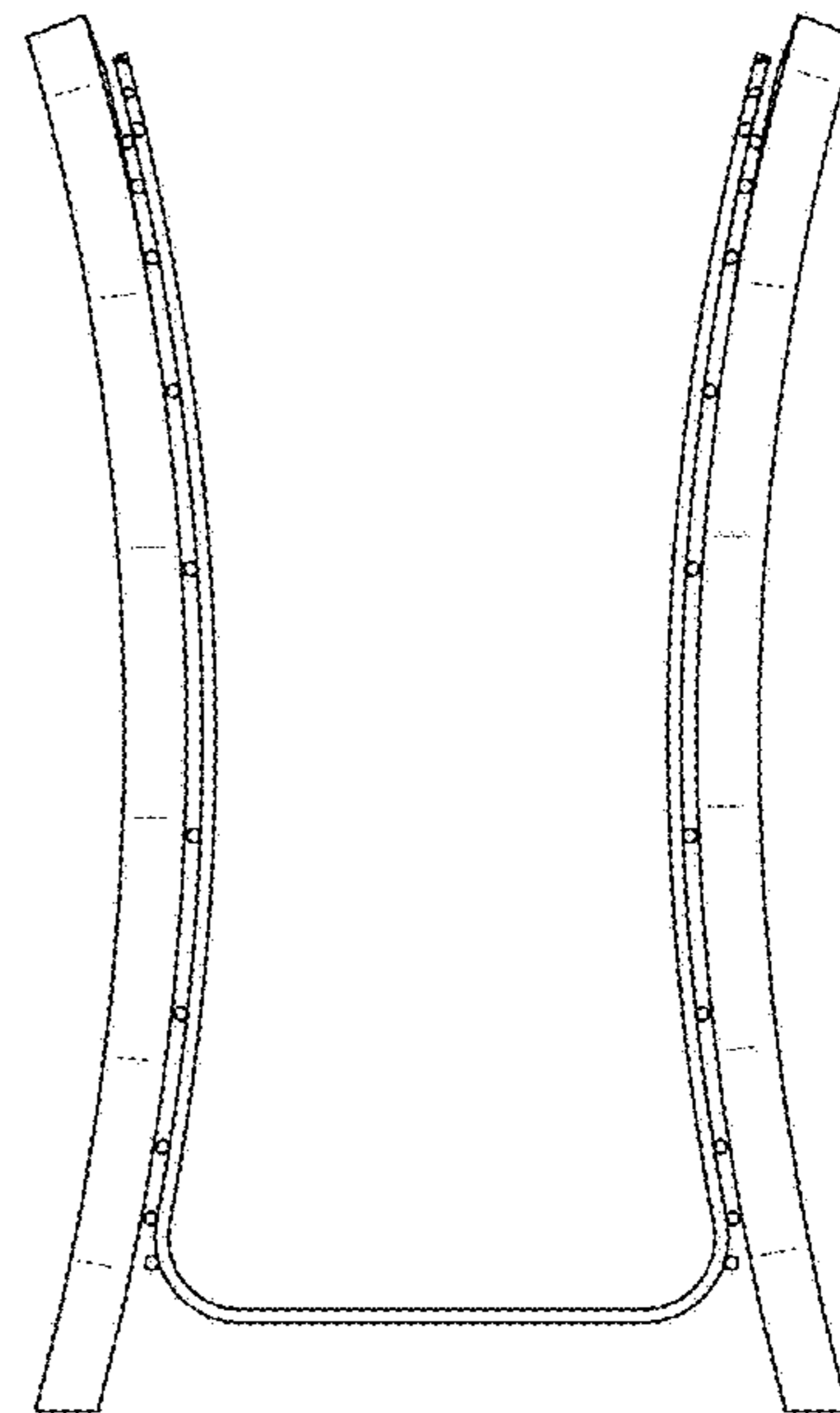


FIG. 12

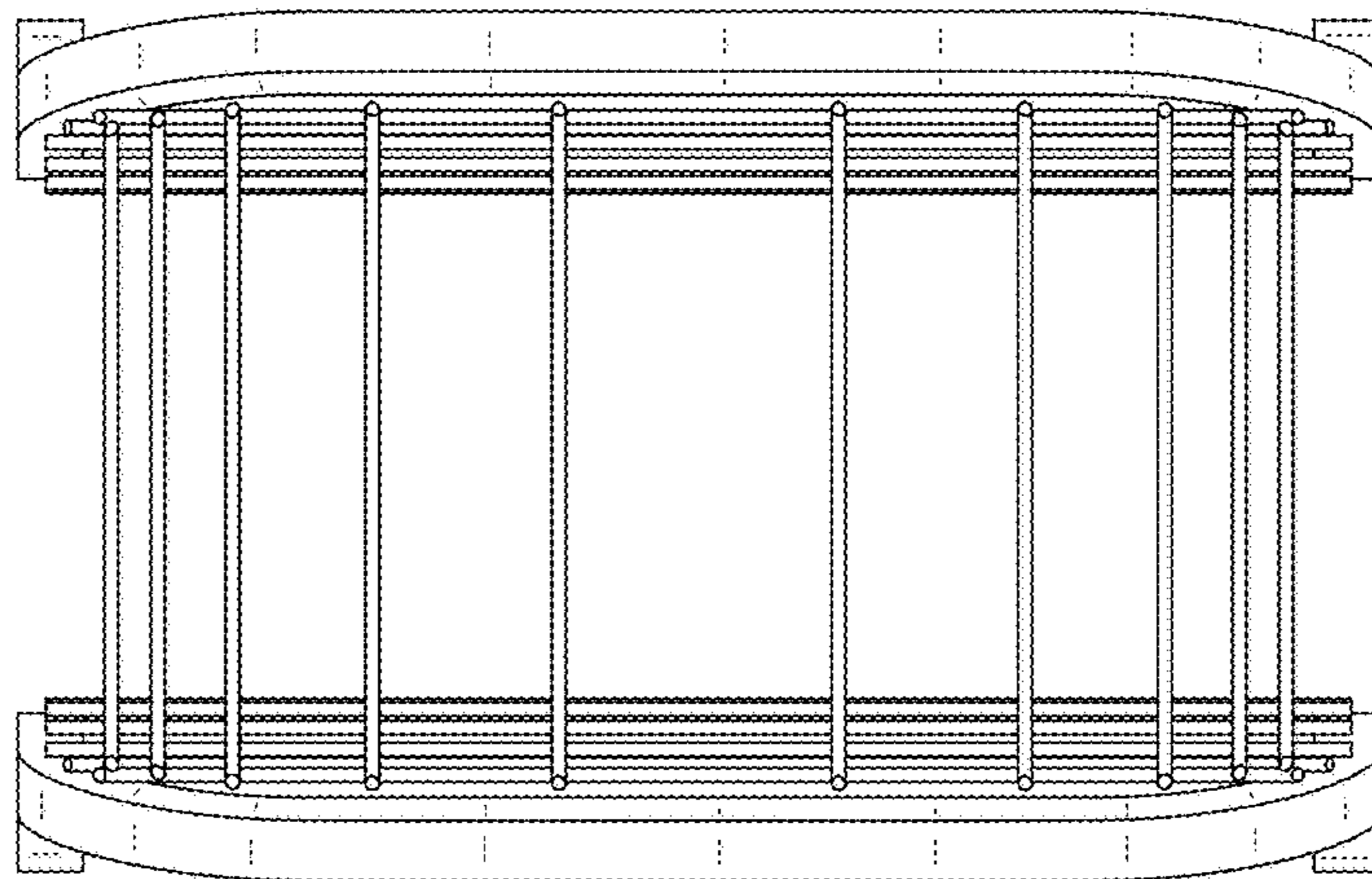


FIG. 13

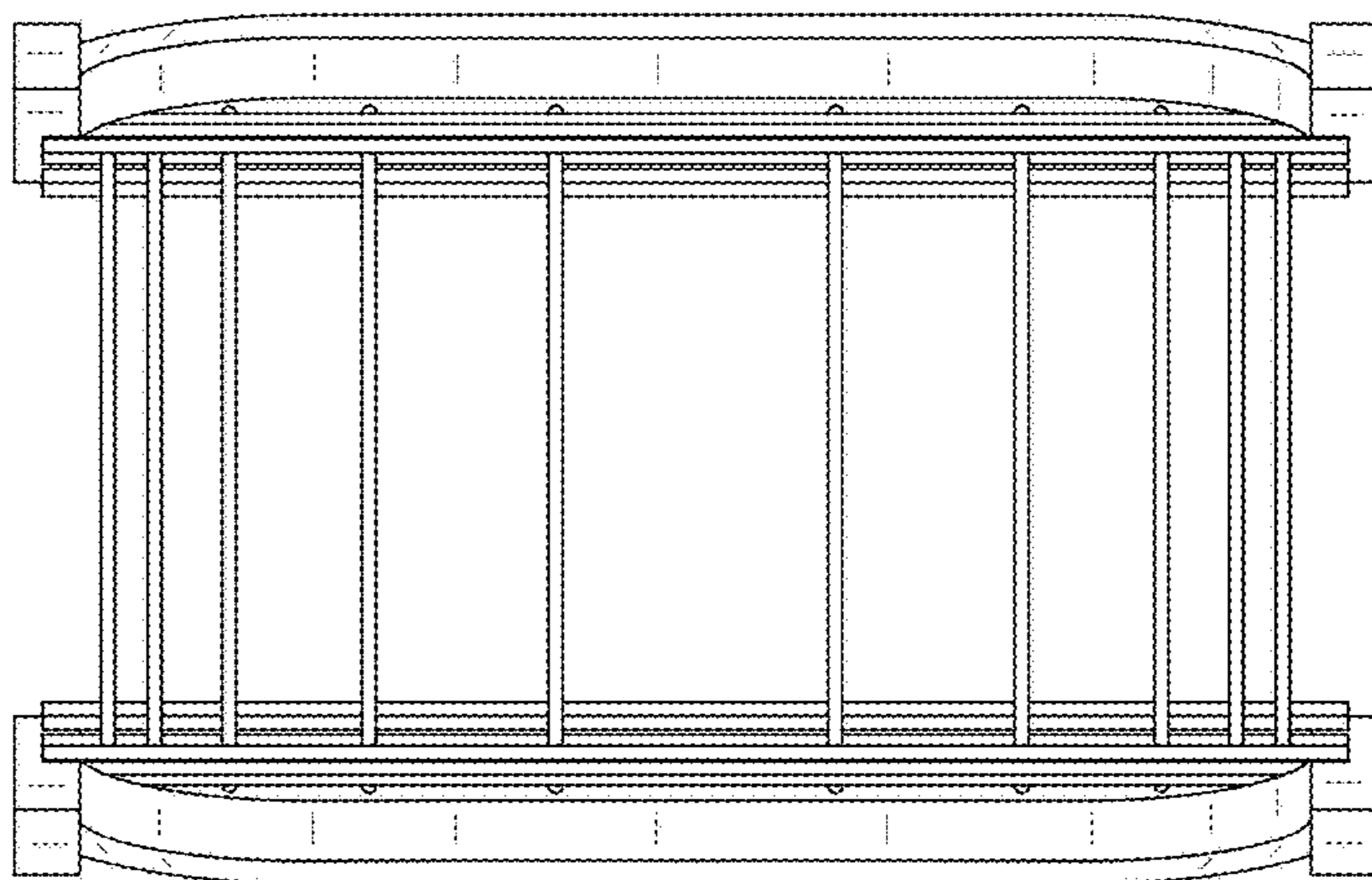


FIG. 14