



US00D840766S

(12) **United States Design Patent** (10) **Patent No.:** **US D840,766 S**
Bishop (45) **Date of Patent:** **** Feb. 19, 2019**

(54) **WINE CARRIER**

(56) **References Cited**

(71) Applicant: **Mischa Bishop**, Muscle Shoals, AL
(US)

U.S. PATENT DOCUMENTS

(72) Inventor: **Mischa Bishop**, Muscle Shoals, AL
(US)

D226,743	S	*	4/1973	Lee	D3/244
4,838,466	A	*	6/1989	Holmstrom	A45F 3/16
						220/379
D304,143	S	*	10/1989	Dennis	D3/229
D335,957	S	*	6/1993	Cantrell	224/148.5
D373,678	S	*	9/1996	Haigis	D3/229
D474,887	S	*	5/2003	Forster	D3/229
D625,513	S	*	10/2010	Carnes	D3/229
D780,442	S	*	3/2017	Tidwell	D3/202
D795,025	S	*	8/2017	Taylor	D7/624.3
2014/0021730	A1	*	1/2014	Miwa	A47G 23/0216
						294/27.1

(**) Term: **15 Years**

(21) Appl. No.: **29/618,988**

(22) Filed: **Sep. 26, 2017**

(51) **LOC (11) Cl.** **07-06**

* cited by examiner

(52) **U.S. Cl.**

USPC **D7/624.3**; D3/229

Primary Examiner — Freda S Nunn

(58) **Field of Classification Search**

(74) *Attorney, Agent, or Firm* — Dennen IP Law, LLC

USPC D7/523, 532, 601, 605–608, 615, 619.1,
D7/620, 624.2, 624.3, 625, 705, 709;
D6/531–534; D3/202, 229, 304–314;
D9/444, 501–504, 574, 575, 779;
220/592.17, 739; D22/199; 215/386;
D32/53

(57) **CLAIM**

The ornamental design for a wine carrier, as shown and described.

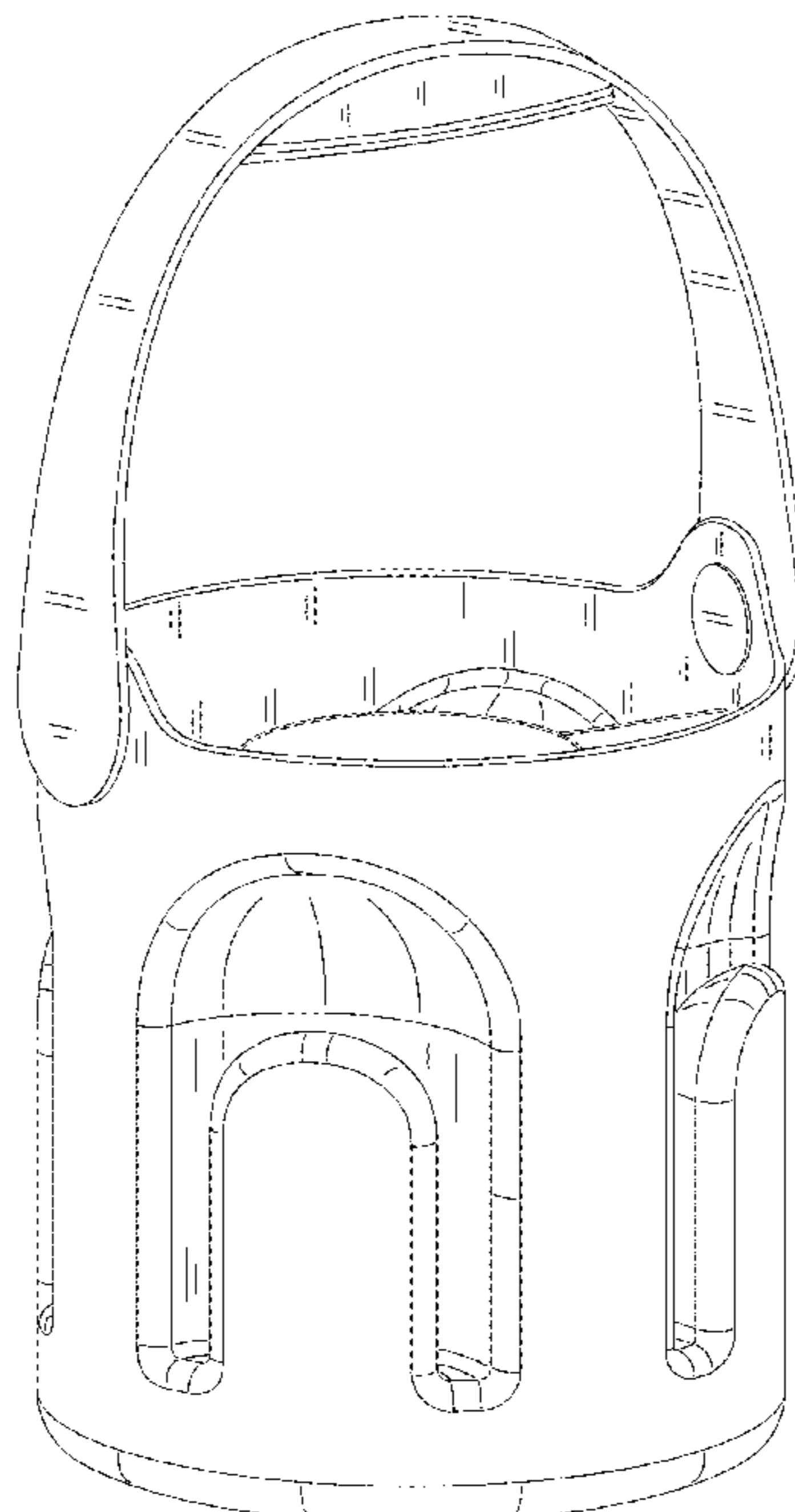
CPC F25D 3/08; B65D 25/20; B65D 25/30;
B65D 7/24; B65D 81/3876; B65D
81/3879; B65D 23/104; B65D 81/38;
B65D 81/3886; B65D 81/3883; B65D
81/3881; B65D 83/00; B65D 1/42; B65D
8/00; B65D 15/02; B65D 23/08; A45C
11/20; A47G 23/0216; A47G 23/0266;
A47G 19/2288; A47G 23/0241; A47G
2023/0291; A45F 2200/0583; A45F 3/16;
A61F 7/10; B31D 5/0086; A47J 41/02;
A47J 41/0077; A47K 1/08; A61J 9/08

DESCRIPTION

FIG. 1 is a front, perspective view of the wine carrier showing my new design;
FIG. 2 is a top view thereof;
FIG. 3 is a bottom view thereof;
FIG. 4 is a rear view thereof;
FIG. 5 is side view thereof the opposite side being a mirror image;
FIG. 6 is another perspective view thereof;
FIG. 7 is an exploded perspective view thereof the broken lines form no part of the claimed design; and,
FIG. 8 is a cross-sectional view thereof taken along line 8-8 of FIG. 2.

See application file for complete search history.

1 Claim, 7 Drawing Sheets



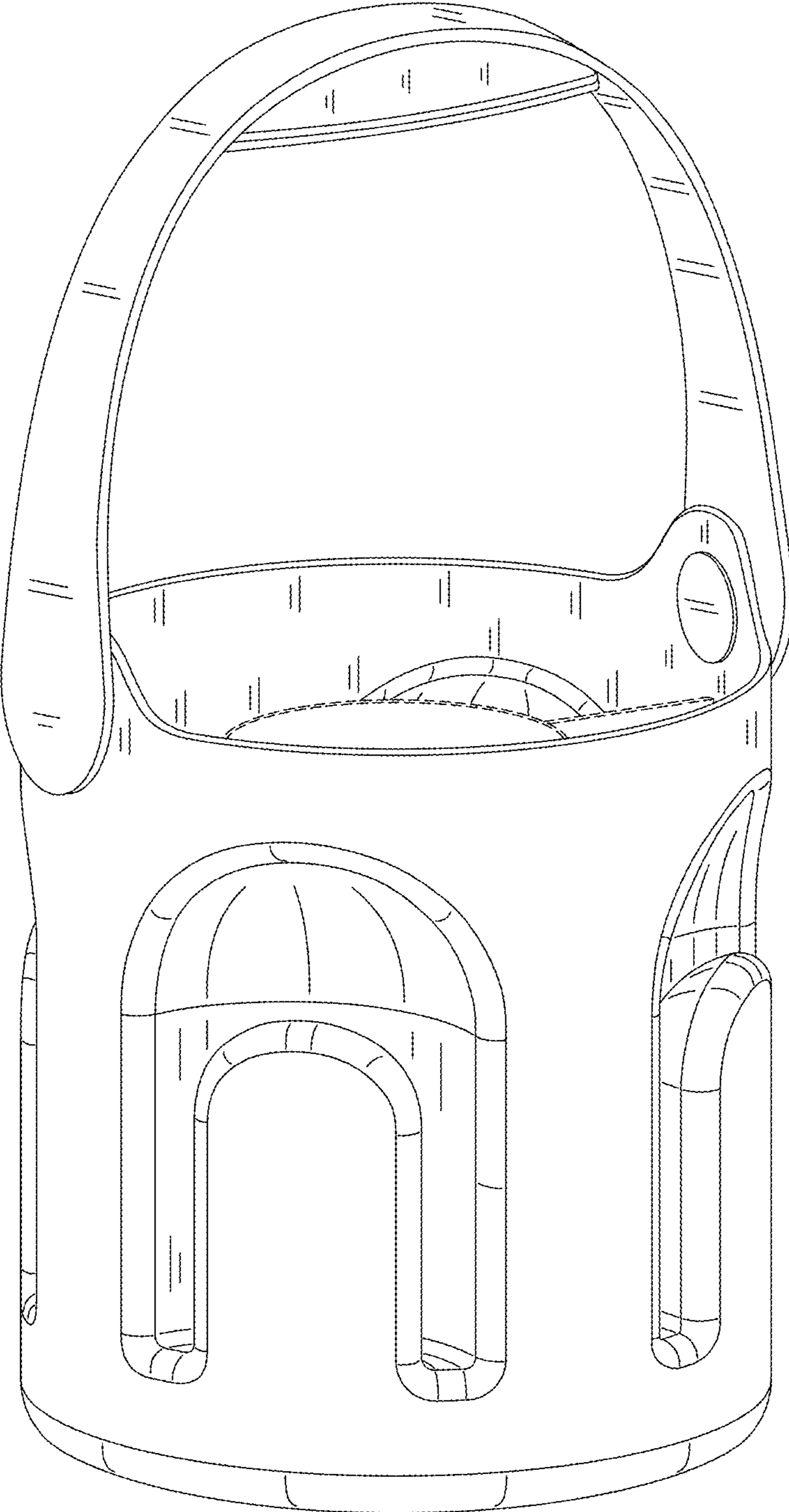


FIG. 1

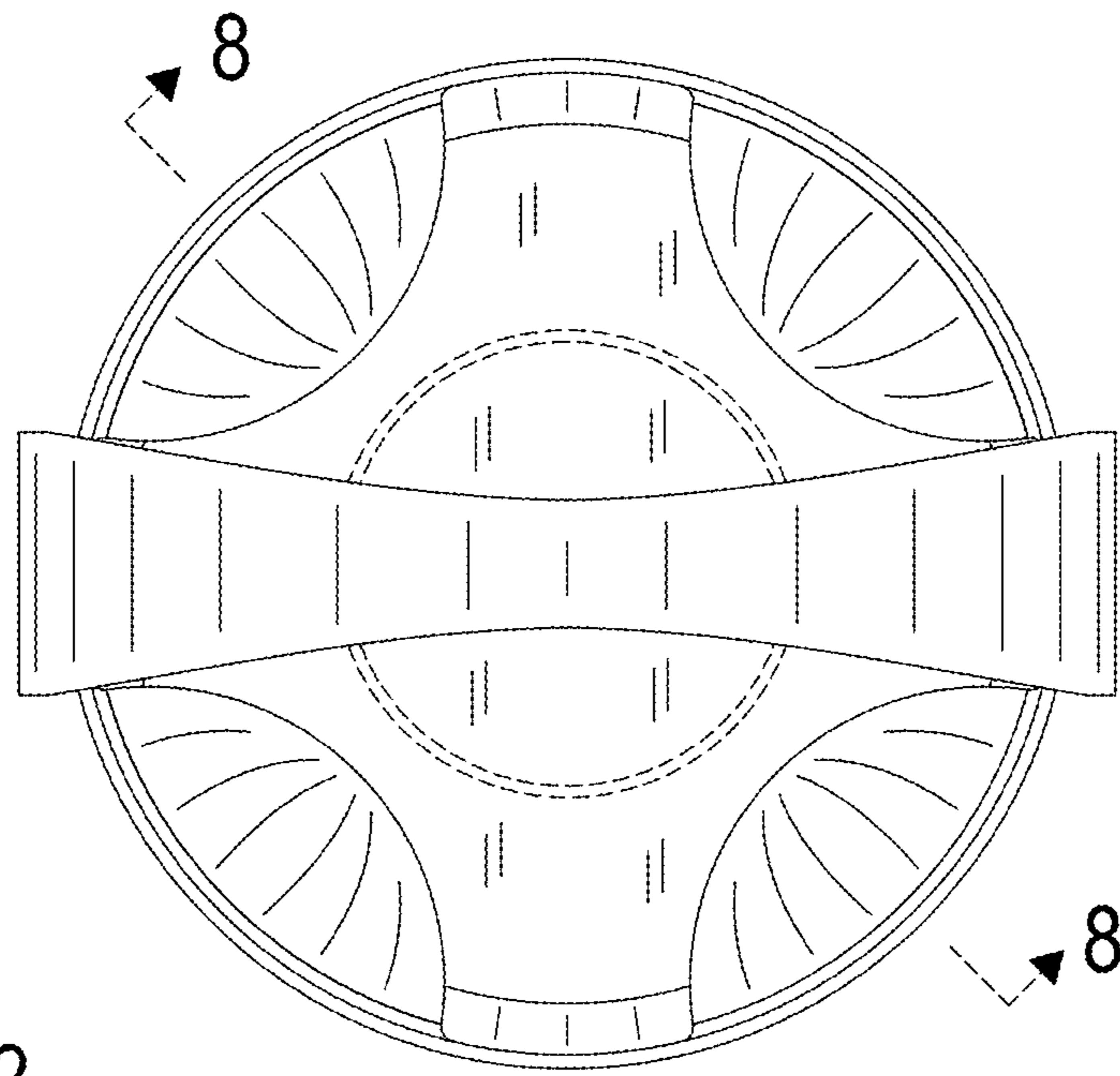


FIG. 2

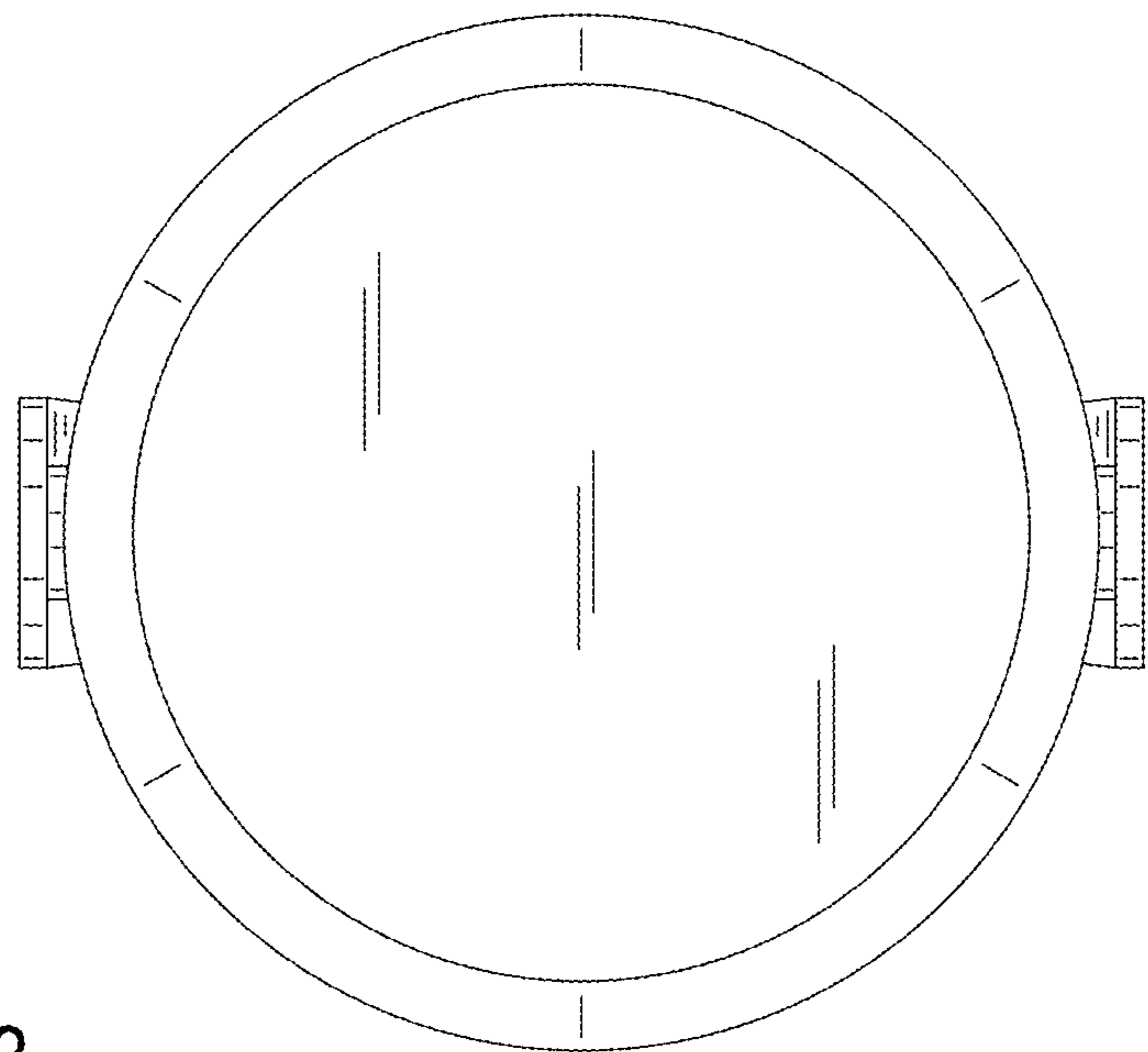


FIG. 3

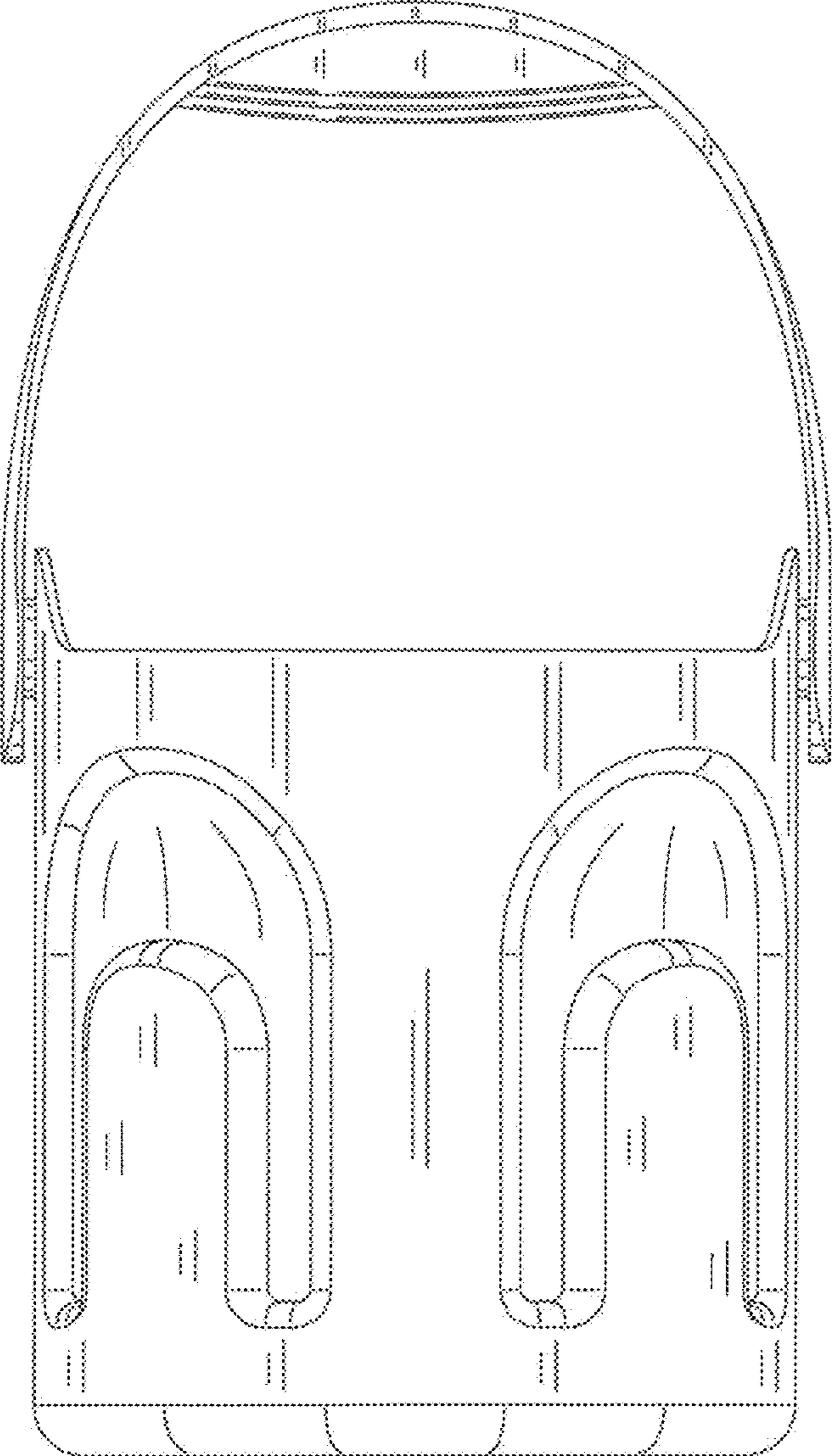


FIG. 4

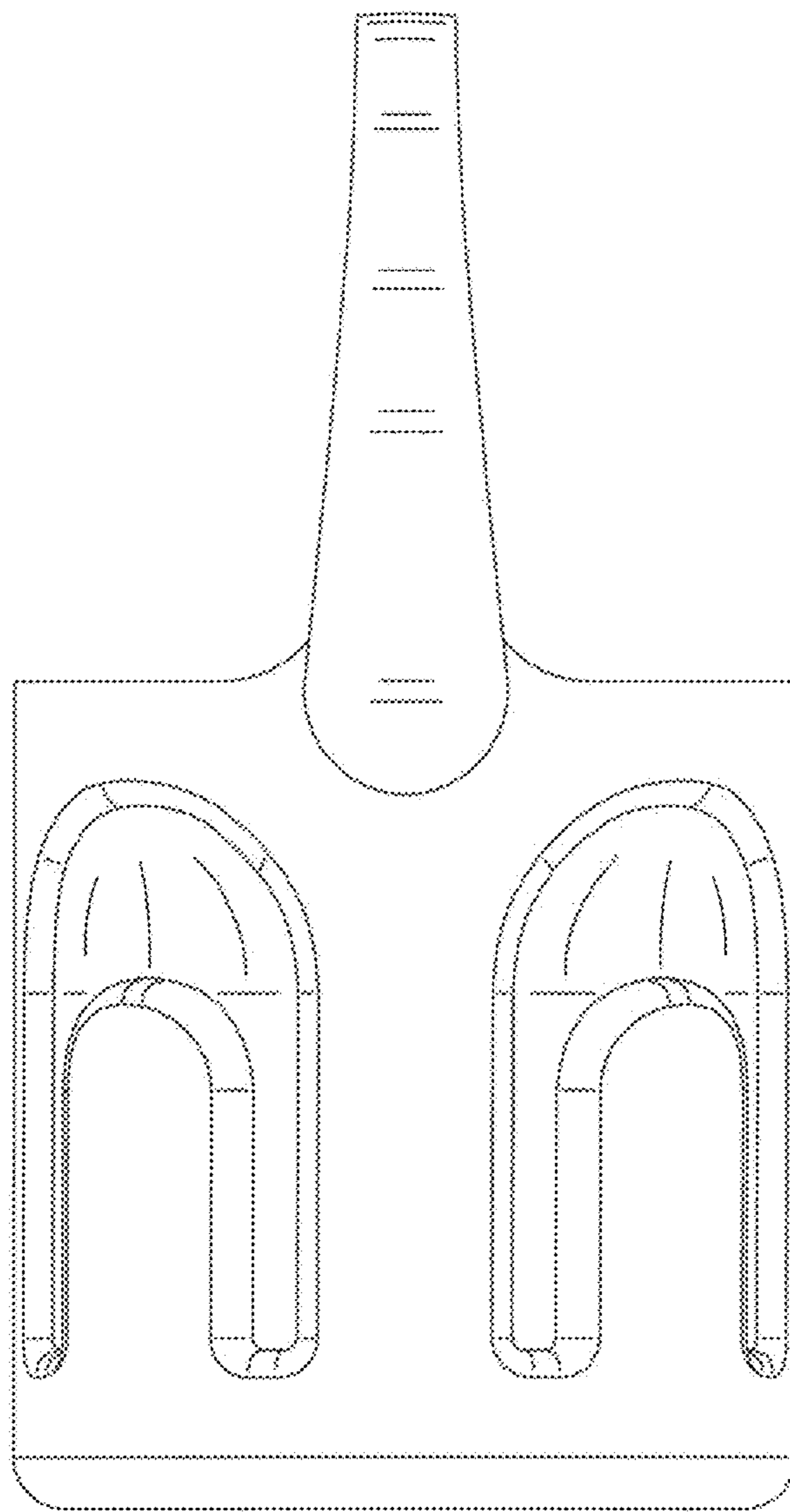


FIG. 5

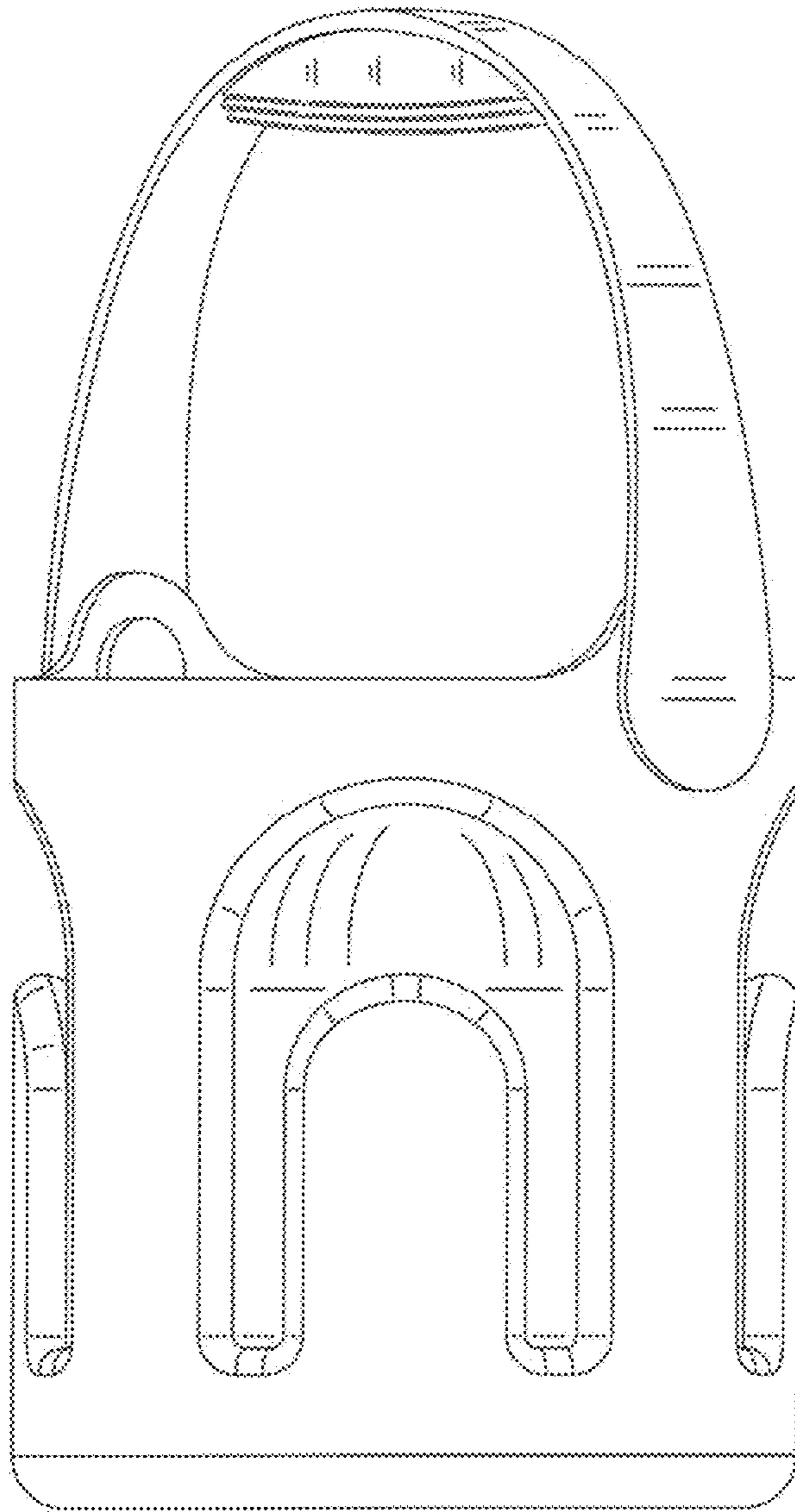
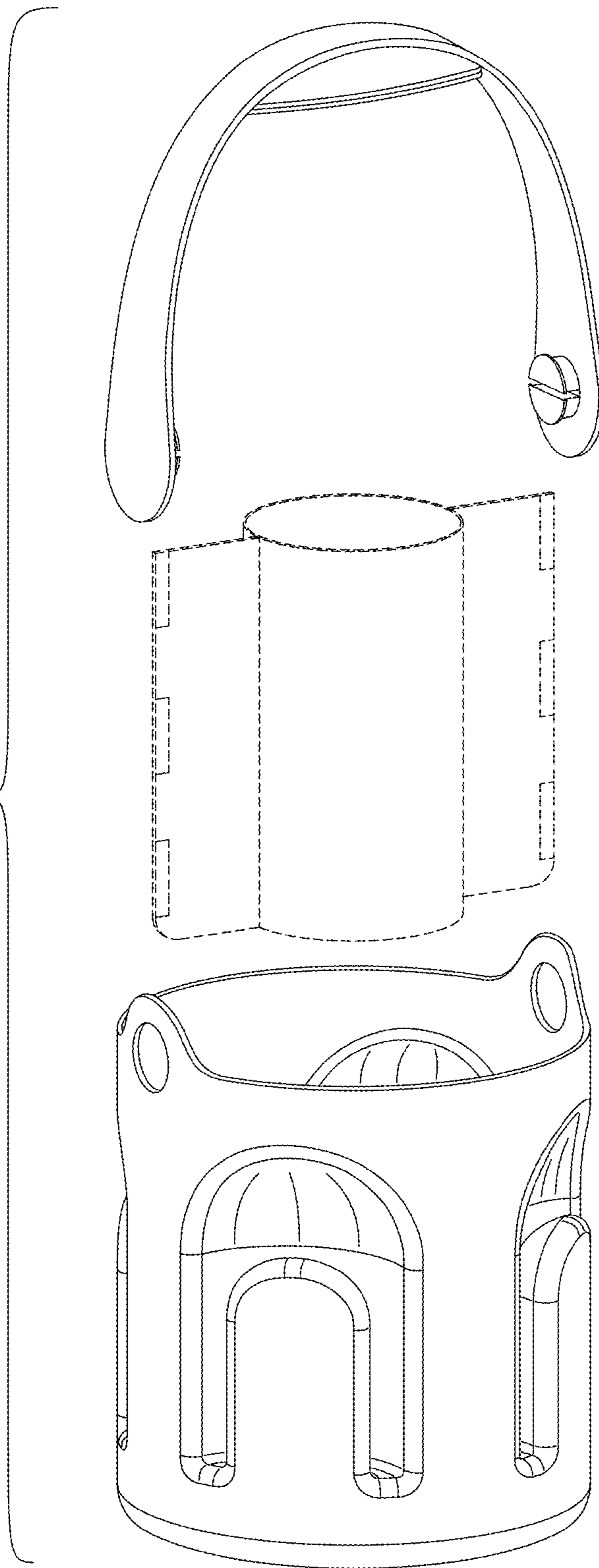


FIG. 6

FIG. 7



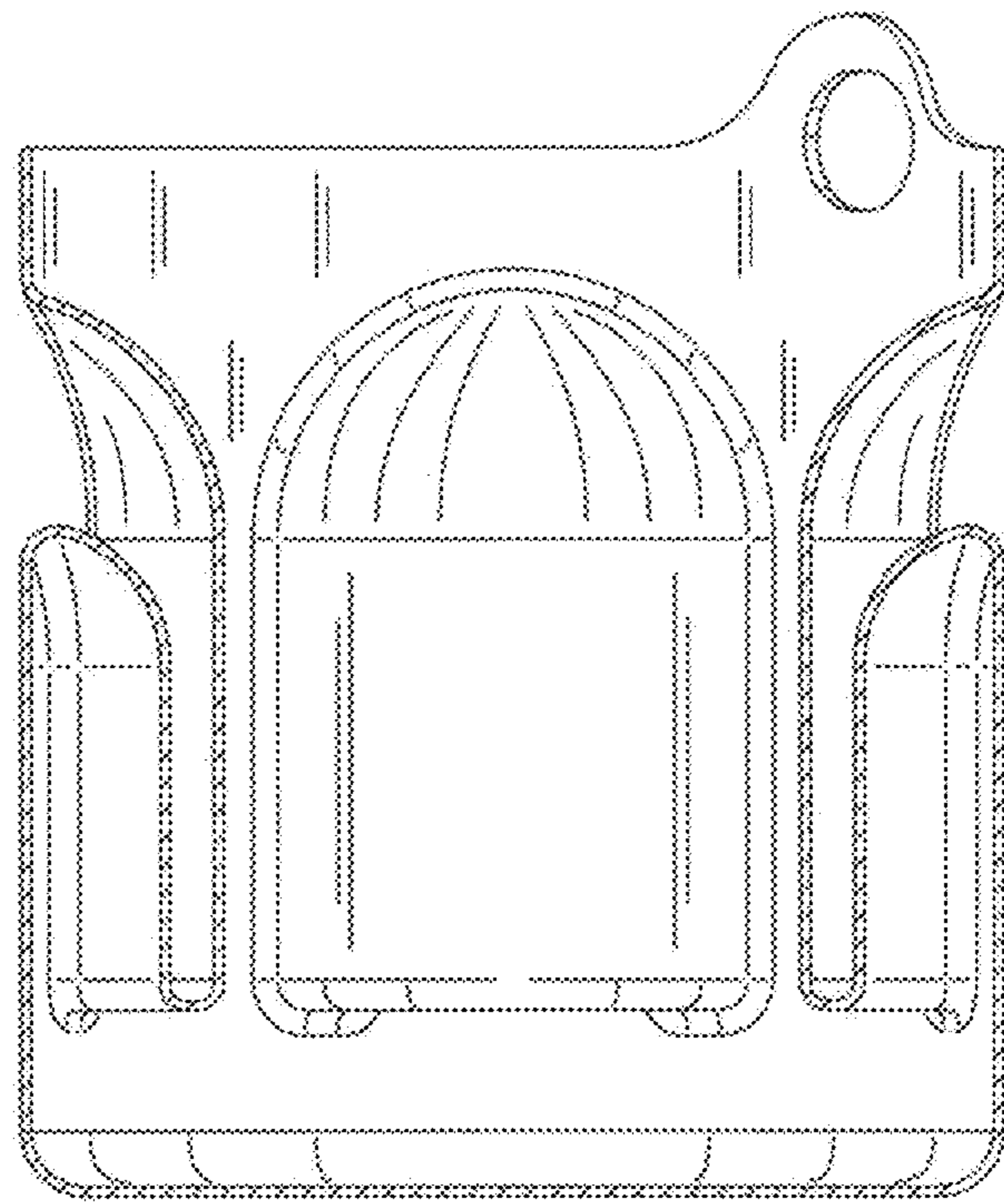


FIG. 8