



US00D840765S

(12) **United States Design Patent** (10) **Patent No.:** **US D840,765 S**
Cabay (45) **Date of Patent:** **** Feb. 19, 2019**

(54) **KOOZIE HAVING A POCKET PROP**

2016/0270575 A1* 9/2016 Panone A47G 21/145

* cited by examiner

(71) Applicant: **Dennis Cabay**, Dearborn Heights, MI (US)

Primary Examiner — Terry A Wallace

(72) Inventor: **Dennis Cabay**, Dearborn Heights, MI (US)

(74) *Attorney, Agent, or Firm* — Mitchell Law PLLC; Matthew W. Mitchell

(**) Term: **15 Years**

(57) **CLAIM**

(21) Appl. No.: **29/623,236**

The ornamental design for a koozie having a pocket prop, as shown and described.

(22) Filed: **Oct. 24, 2017**

(51) **LOC (11) Cl.** **07-06**

(52) **U.S. Cl.**

USPC **D7/624.2**; D7/607

(58) **Field of Classification Search**

USPC D7/619.1–625, 605–608

CPC A47G 23/0216; A47G 23/0266; A47G 23/0208; A47G 23/0291; A47G 23/02; B65D 81/3886; B65D 81/3876; B65D 81/3879; B65D 81/3865; B65D 81/3881; B65D 81/3883; B65D 81/3874; A45C 11/20; F25D 3/08

See application file for complete search history.

DESCRIPTION

FIG. 1 is a front perspective view showing my new invention;

FIG. 2 is a back perspective view of the invention;

FIG. 3 is a front view of the invention;

FIG. 4 is a back view of the invention;

FIG. 5 is a side view of the invention, as seen from the left side of FIG. 3;

FIG. 6 is a side view of the invention, as seen from the right side of FIG. 3;

FIG. 7 is a top plan view of the invention; and,

FIG. 8 is a bottom plan view of the invention.

The texture shown in all views of the drawing disclosure represents neoprene material, but no particular color or pattern.

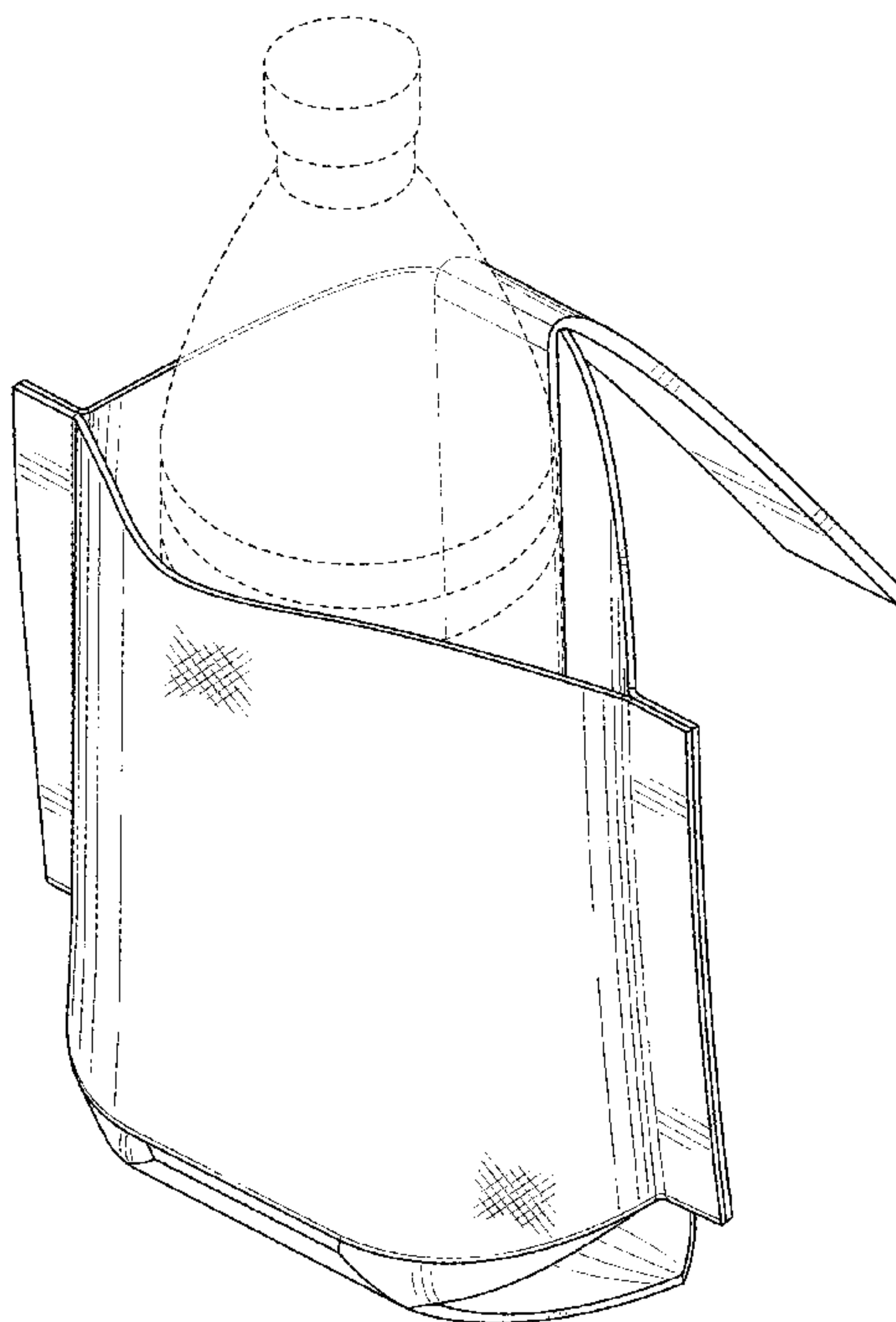
The broken line showing a bottle is included for contextual purposes forms no part of the claimed design.

(56) **References Cited**

U.S. PATENT DOCUMENTS

- D540,125 S * 4/2007 Hicks D7/607
- 2006/0231606 A1* 10/2006 Katchko B65D 81/3876
229/403
- 2008/0047967 A1* 2/2008 Brunner B65D 81/3886
220/737

1 Claim, 8 Drawing Sheets



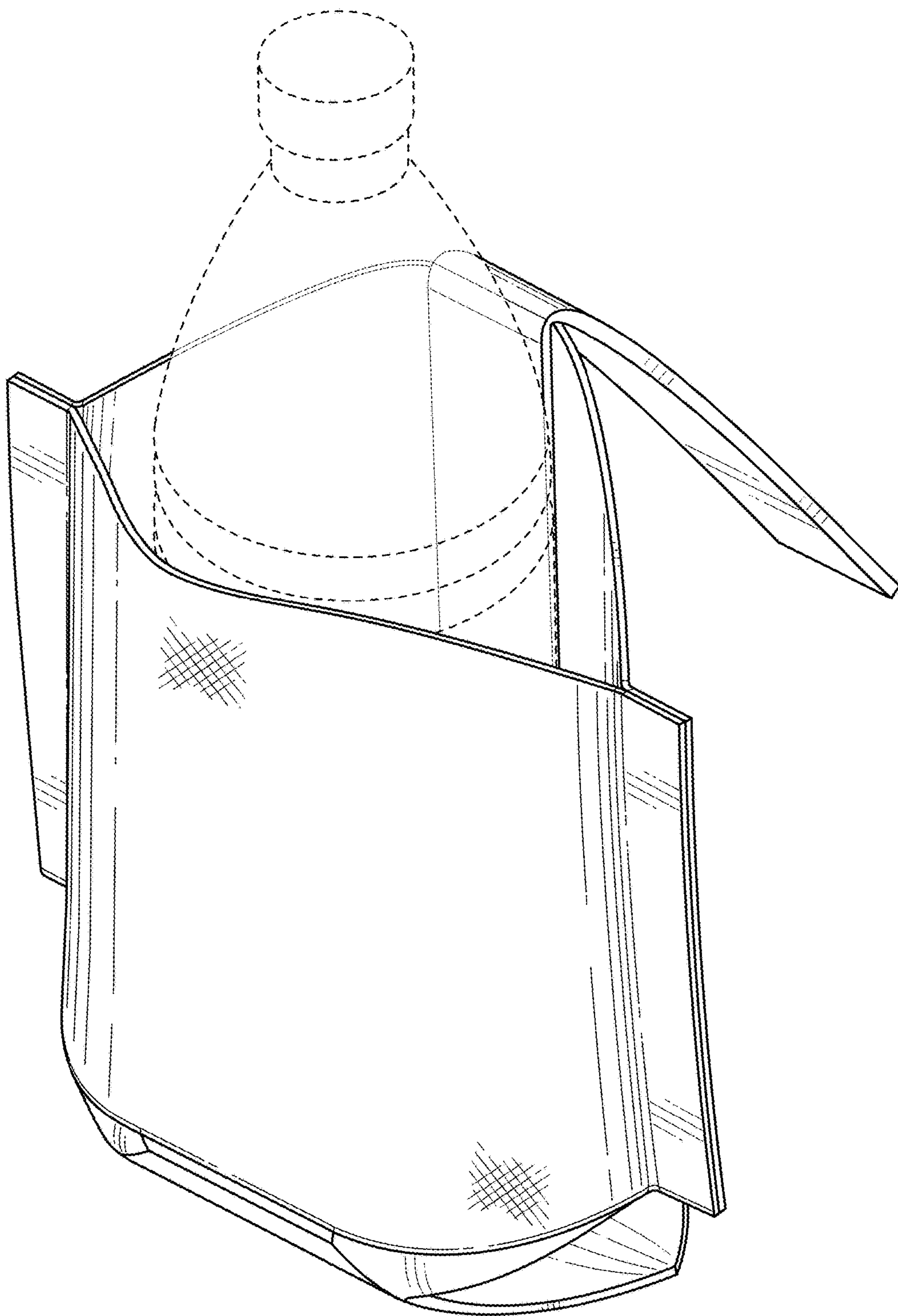


FIG. 1

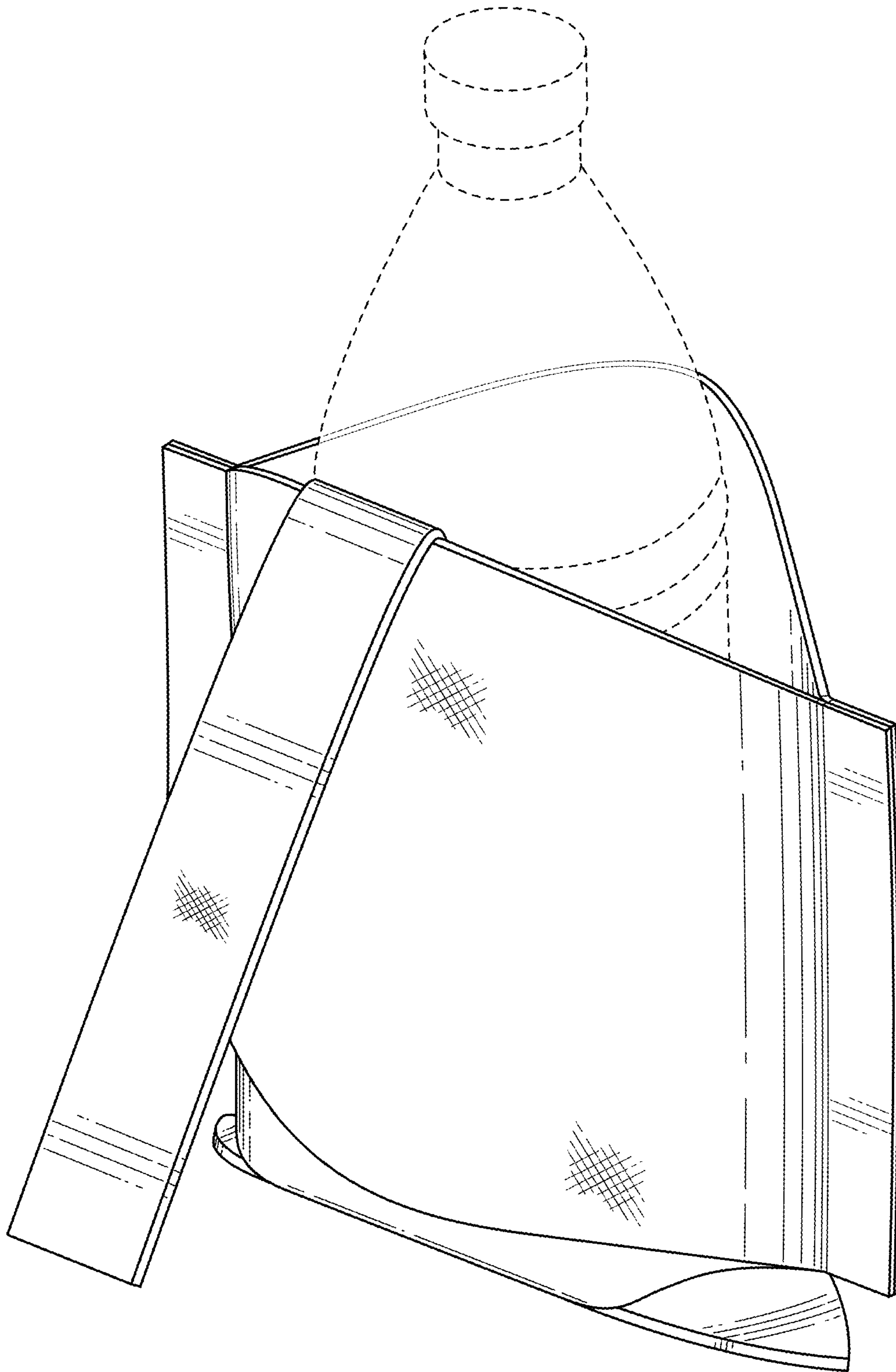


FIG. 2

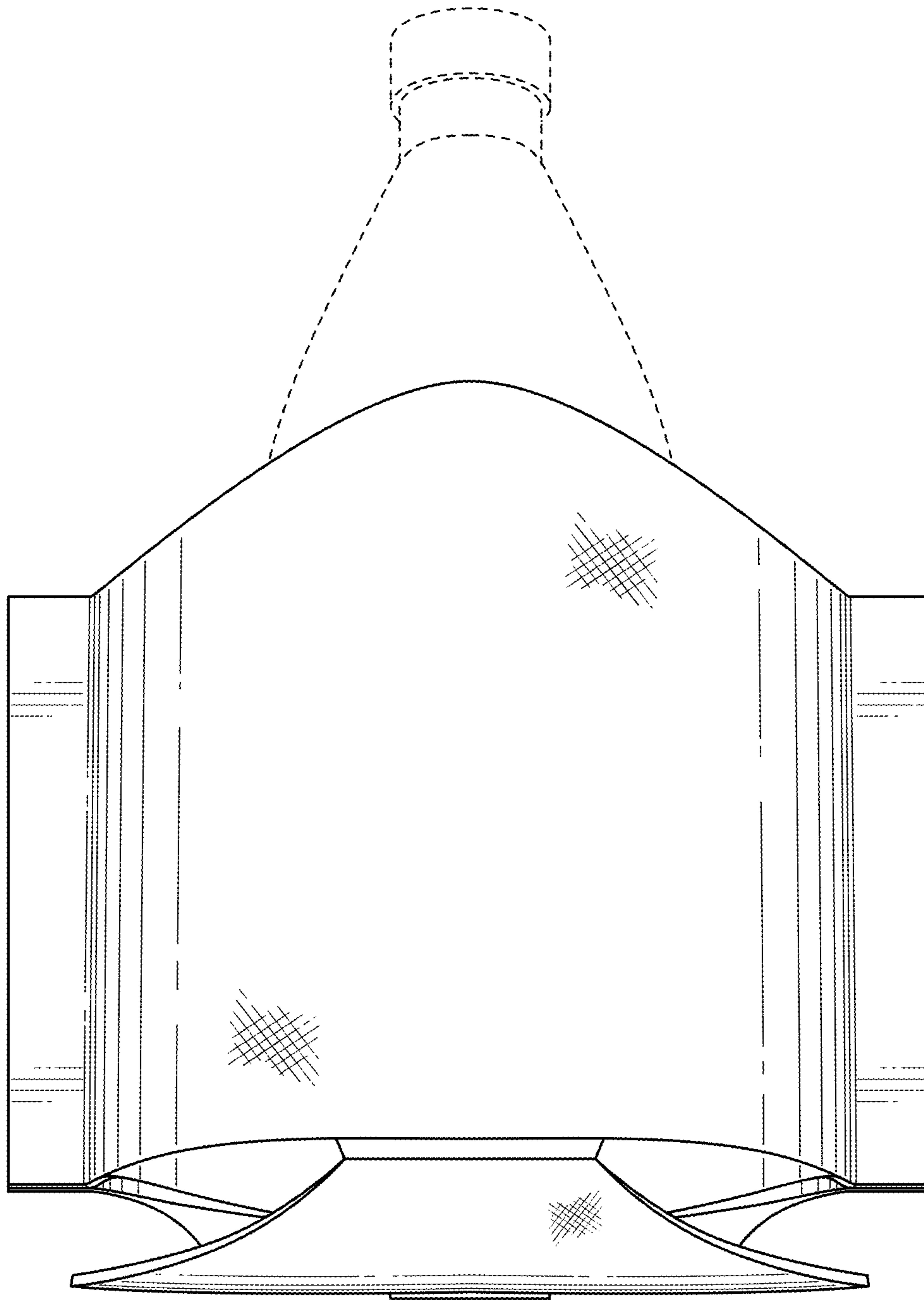


FIG. 3

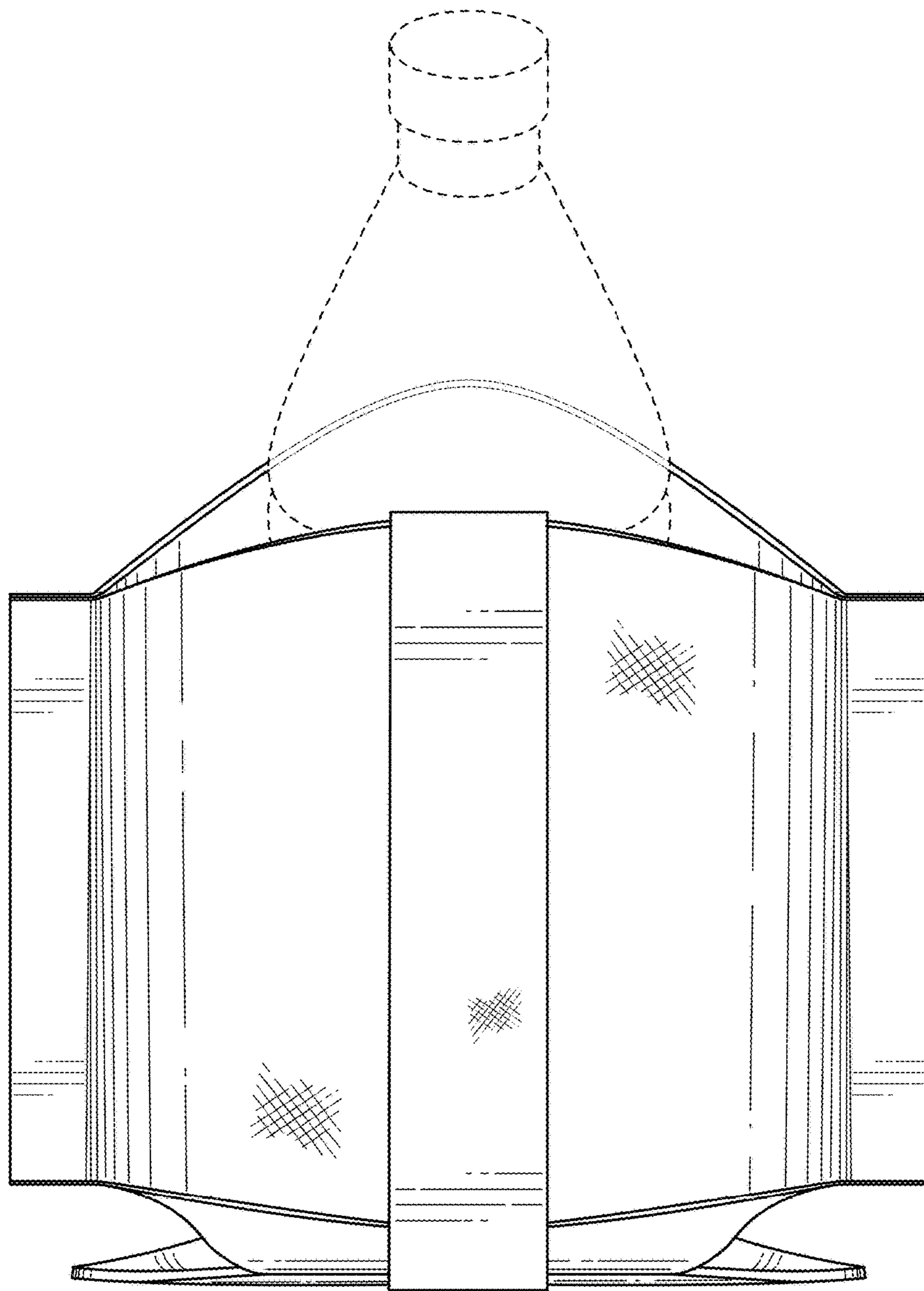


FIG. 4

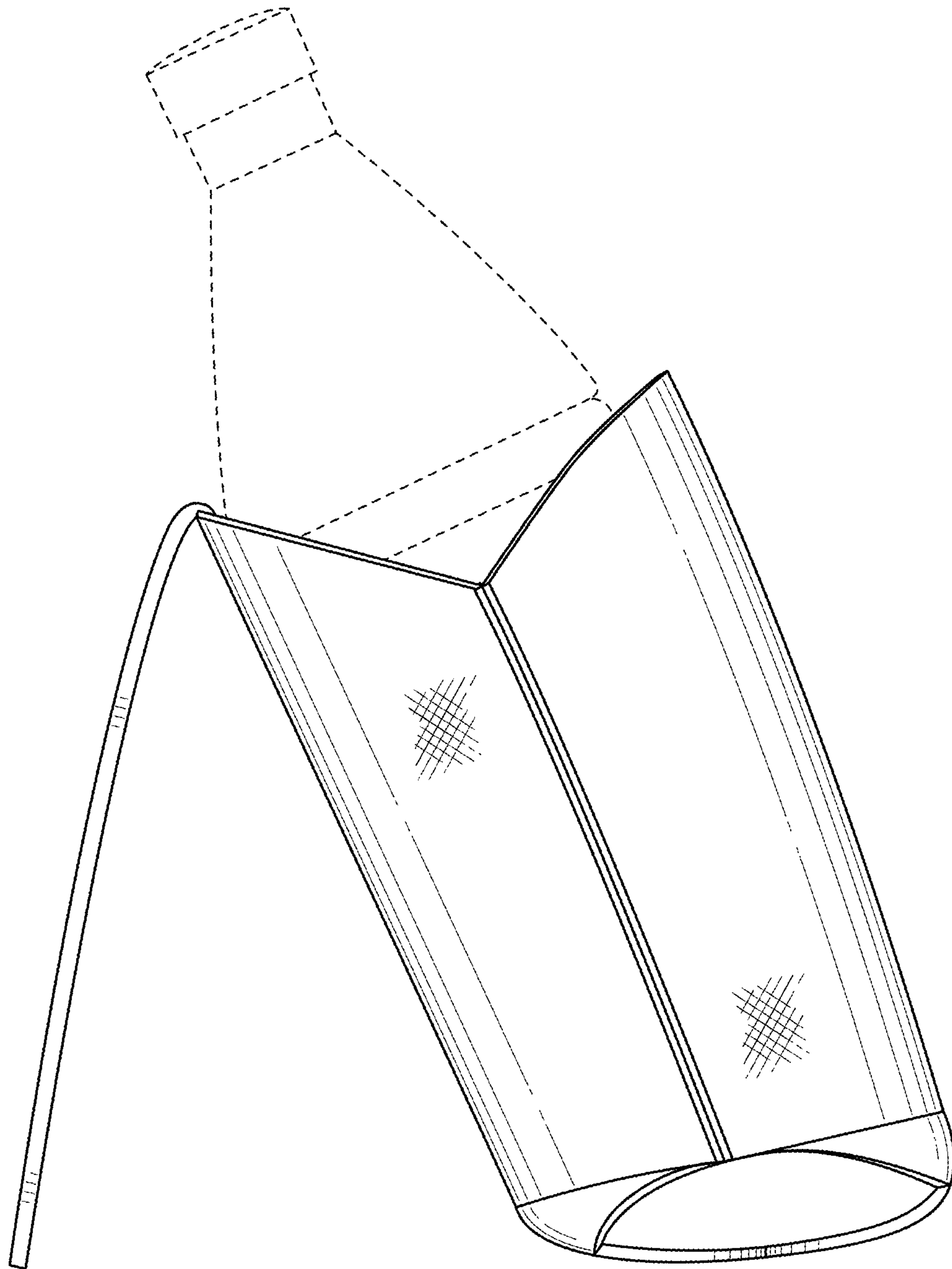


FIG. 5

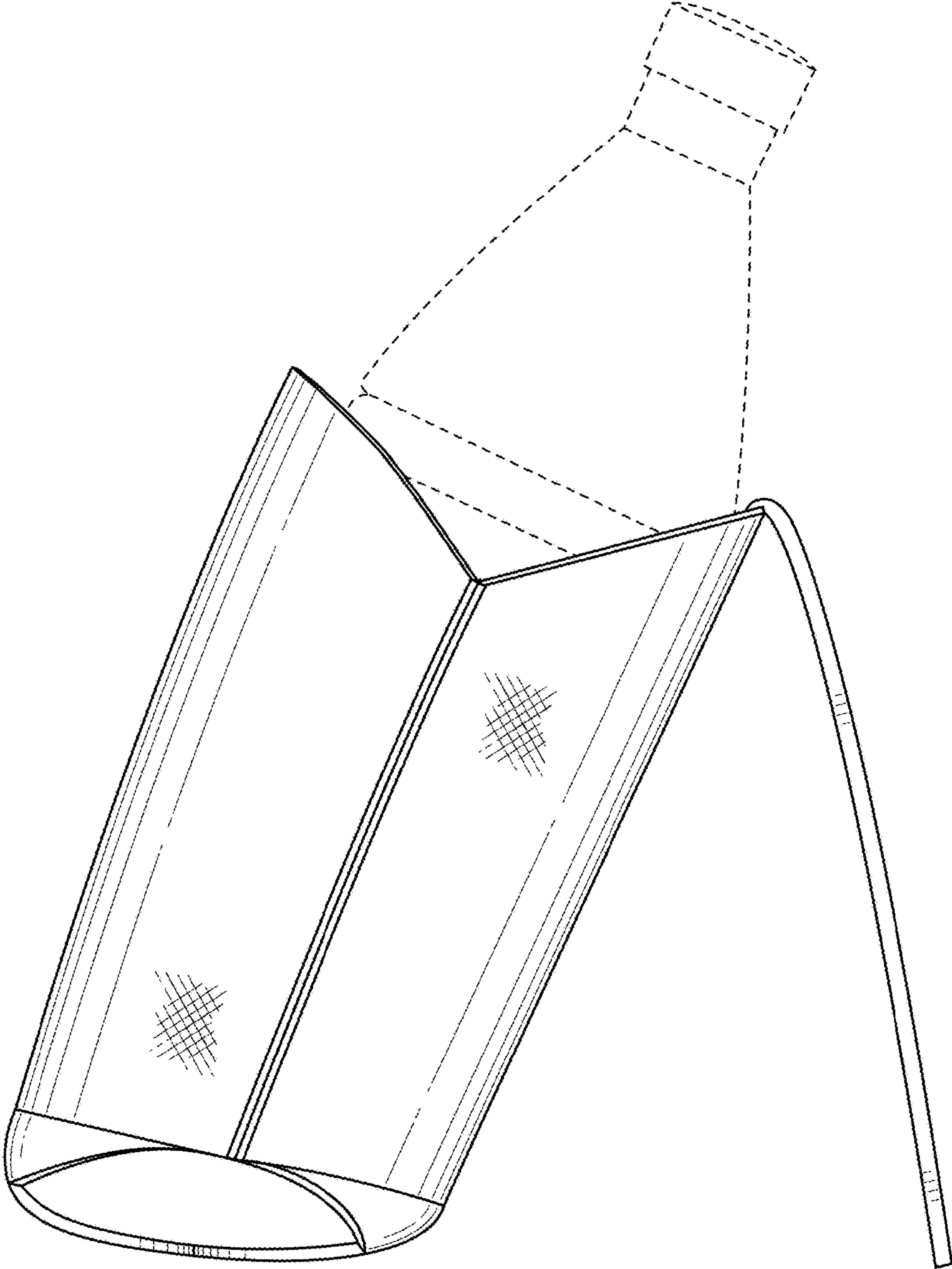


FIG. 6

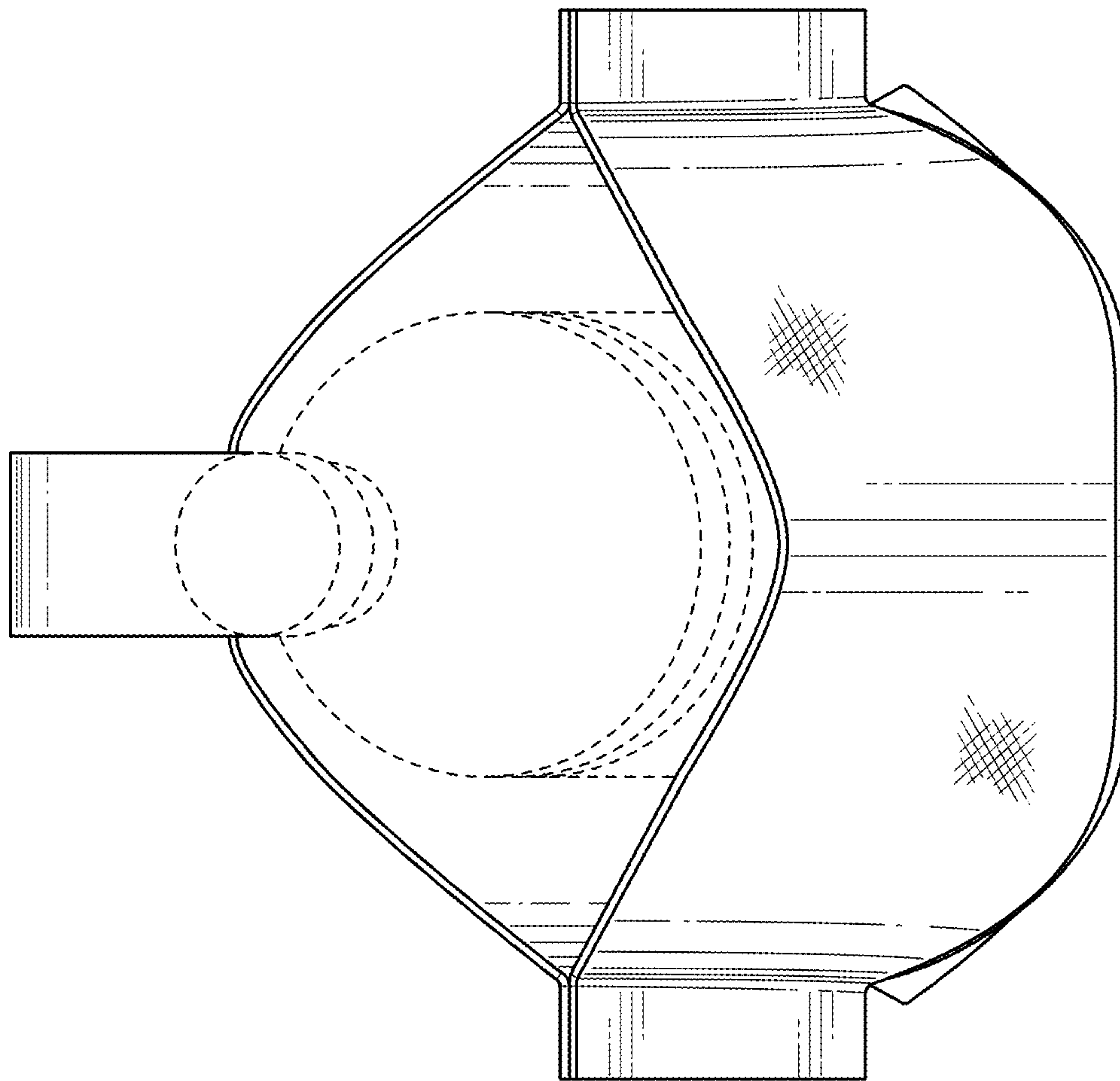


FIG. 7

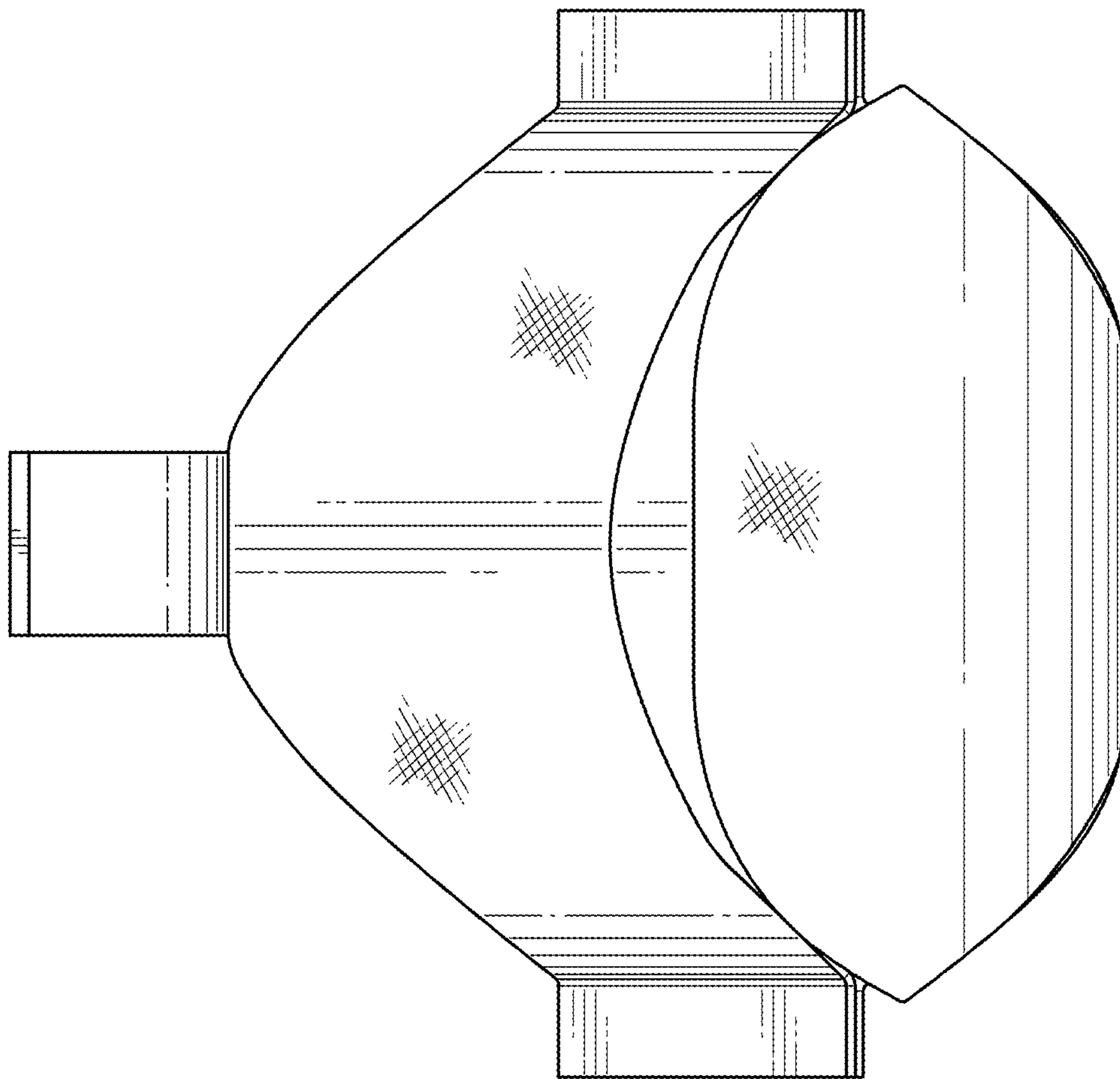


FIG. 8