



US00D840761S

(12) **United States Design Patent** (10) **Patent No.:** **US D840,761 S**  
**Seiders et al.** (45) **Date of Patent:** **\*\* Feb. 19, 2019**

(54) **INSULATING DEVICE**  
(71) Applicant: **YETI Coolers, LLC**, Austin, TX (US)  
(72) Inventors: **Roy Joseph Seiders**, Rollingwood, TX (US); **Derek Sullivan**, Austin, TX (US); **Erik Steven Larson**, Austin, TX (US); **Alex Baires**, Austin, TX (US)  
(73) Assignee: **YETI Coolers, LLC**, Austin, TX (US)

2,522,381 A 9/1950 Kramer  
2,575,191 A 11/1951 Seipp  
2,575,893 A 11/1951 Seaman  
2,633,223 A 3/1953 Zeamer

(Continued)

**FOREIGN PATENT DOCUMENTS**

BE 1015808 A6 9/2005  
CA 2243820 A1 1/2000

(Continued)

(\*\*) Term: **15 Years**  
(21) Appl. No.: **29/619,826**  
(22) Filed: **Oct. 2, 2017**

**OTHER PUBLICATIONS**

Stopper Dry Bag, <http://www.seatosummit.com/products/display/181>, published date unknown, but prior to the filing date of the present application, Sea to Summit, United States.

(Continued)

**Related U.S. Application Data**

(63) Continuation of application No. 29/553,989, filed on Feb. 5, 2016, now Pat. No. Des. 798,670.

(51) **LOC (11) Cl.** ..... **07-01**

(52) **U.S. Cl.**  
USPC ..... **D7/607**

(58) **Field of Classification Search**  
USPC ..... D7/605, 607, 709, 710, 629; D3/283, D3/289

CPC ..... F25D 2331/804; F25D 3/08; B65D 30/08; B65D 81/3858; B65D 81/3823; B65D 81/3888; B65D 81/18; B65D 3/04; A45C 11/20; A45C 13/02

See application file for complete search history.

*Primary Examiner* — Terry A Wallace

(74) *Attorney, Agent, or Firm* — Banner & Witcoff, Ltd.

(57) **CLAIM**

The ornamental design for an insulating device, as shown and described.

**DESCRIPTION**

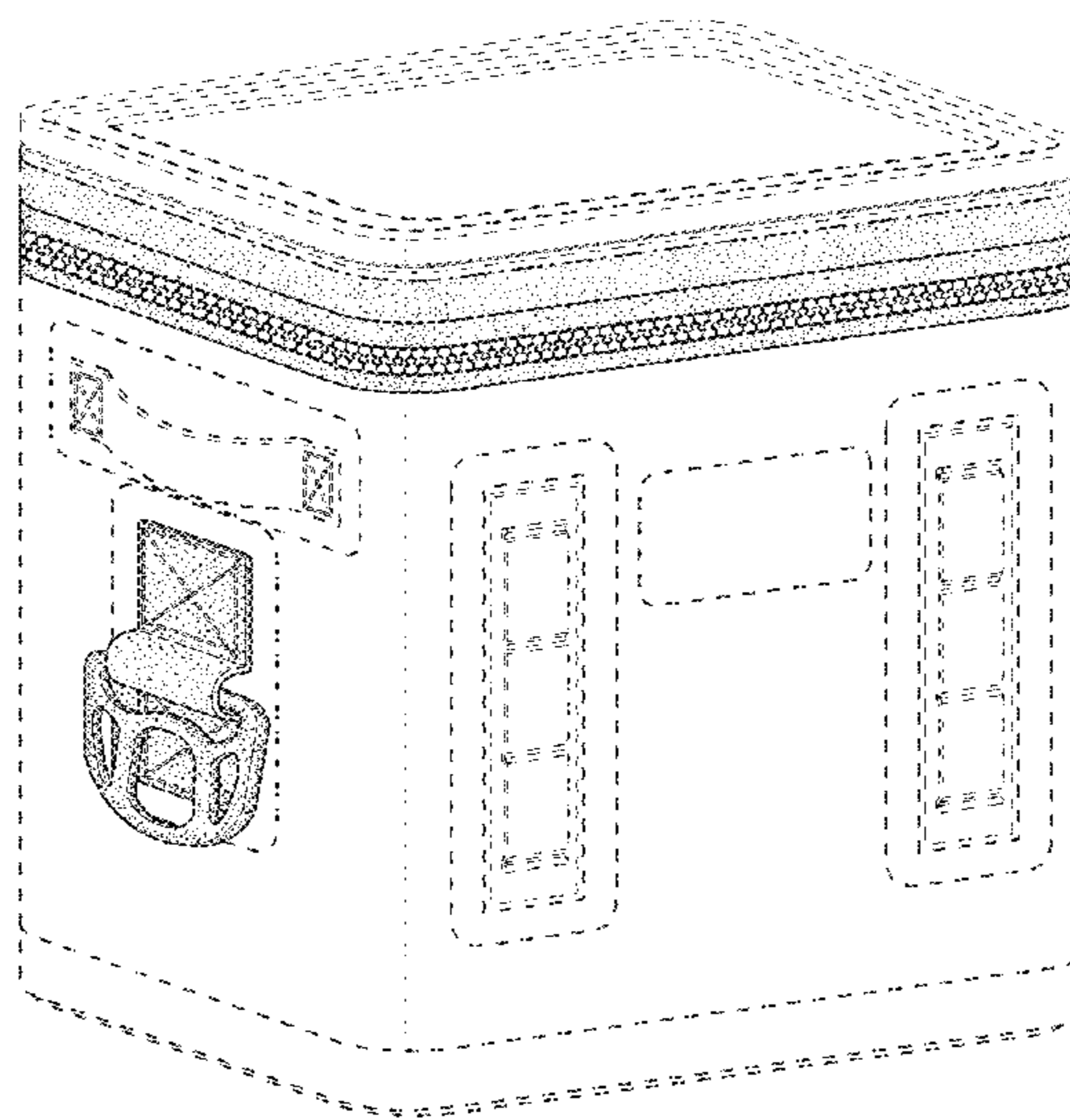
FIG. 1 is a top, front, left perspective view of an insulating device showing our new design; FIG. 2 is a front view thereof; FIG. 3 is a right side view thereof; and, FIG. 4 is a left side view thereof.

The uneven-length broken lines are imaginary lines that represent unclaimed boundaries of the claimed design. The even-length broken lines showing the remainder of the insulating device are for environmental purposes only and form no part of the claimed design. The contrast in shading represents a contrast in appearance only and does not represent any particular color, material, texture or finish.

(56) **References Cited**  
U.S. PATENT DOCUMENTS

210,994 A 12/1878 Carnagy  
1,587,655 A 6/1926 Kidwell  
1,949,677 A 3/1934 Crawford  
2,119,621 A 6/1938 Ferrone  
2,253,598 A 8/1941 Africa  
2,289,254 A 7/1942 Eagles

**1 Claim, 4 Drawing Sheets**



(56)

References Cited

U.S. PATENT DOCUMENTS

2,661,785 A	12/1953	Daust	5,490,396 A	2/1996	Morris
2,685,385 A	8/1954	Kuss	D370,599 S	6/1996	Christopher et al.
2,808,093 A	10/1957	Gilman	D371,052 S	6/1996	Melk
2,954,891 A	10/1960	Imber	5,529,217 A	6/1996	Siegel
3,066,846 A	12/1962	Domigan	D373,515 S	9/1996	Melk
3,454,197 A	7/1969	Thompson	5,562,228 A	10/1996	Ericson
3,801,425 A	4/1974	Cook	5,564,568 A	10/1996	Rankin, Sr.
3,814,288 A	6/1974	Westrich	5,569,401 A	10/1996	Gilliland et al.
3,905,511 A	9/1975	Groendal	5,595,320 A	1/1997	Aghassipour
4,125,212 A	11/1978	Courchesne	D382,771 S	8/1997	Mogil
4,127,155 A	11/1978	Hydom	D383,360 S	9/1997	Melk
4,194,627 A	3/1980	Christensen	5,680,944 A	10/1997	Rueter
4,196,817 A	4/1980	Moser	5,680,958 A	10/1997	Mann et al.
4,197,890 A	4/1980	Simko	D386,310 S	11/1997	Smith
4,211,091 A	7/1980	Campbell	5,687,874 A	11/1997	Omori et al.
4,248,366 A	2/1981	Christiansen	D387,249 S *	12/1997	Mogil ..... D7/607
4,344,303 A	8/1982	Kelly, Jr.	5,706,969 A	1/1998	Yamada et al.
4,372,453 A	2/1983	Branscum	D394,553 S	5/1998	Lin
4,375,828 A	3/1983	Biddison	D395,555 S	6/1998	Ursitti
4,399,668 A	8/1983	Williamson	5,758,513 A	6/1998	Smith
4,468,933 A	9/1984	Christopher	D397,273 S	8/1998	Collie
4,513,895 A	4/1985	Leslie	5,816,709 A	10/1998	Demus
4,537,313 A	8/1985	Workman	D401,063 S	11/1998	Yamamoto et al.
4,541,540 A	9/1985	Gretz et al.	5,842,571 A	12/1998	Rausch
D281,122 S	10/1985	Bomes et al.	5,845,514 A	12/1998	Clarke et al.
D281,546 S	12/1985	Bradshaw	5,848,734 A	12/1998	Melk
4,571,338 A	2/1986	Okonogi et al.	5,857,778 A	1/1999	Elis
4,595,101 A	6/1986	Rivera	5,909,821 A	6/1999	Guridi
4,596,370 A	6/1986	Adkins	5,913,448 A	6/1999	Mann et al.
4,598,746 A	7/1986	Rabinowitz	5,915,580 A	6/1999	Melk
4,673,117 A	6/1987	Calton	5,931,583 A	8/1999	Collie
4,679,242 A	7/1987	Brockhaus	D414,379 S	9/1999	Haberkorn
4,708,254 A	11/1987	Byrns	5,988,468 A	11/1999	Murdoch et al.
4,746,028 A	5/1988	Bagg	5,988,879 A	11/1999	Bredderman et al.
4,759,077 A	7/1988	Leslie	6,019,245 A	2/2000	Foster et al.
4,765,476 A	8/1988	Lee	6,027,249 A	2/2000	Bielinski
4,796,937 A	1/1989	Andrea	6,029,847 A	2/2000	Mahoney, Jr. et al.
4,802,344 A	2/1989	Livingston et al.	D424,417 S	5/2000	Axelsson
4,802,602 A	2/1989	Evans et al.	6,059,140 A	5/2000	Hicks
4,812,054 A	3/1989	Kirkendall	6,065,873 A	5/2000	Fowler
4,826,060 A	5/1989	Hollingsworth	6,068,402 A	5/2000	Freese et al.
4,858,444 A	8/1989	Scott	6,073,796 A	6/2000	Mogil
4,867,214 A	9/1989	Fuller	6,082,589 A	7/2000	Ash et al.
4,886,183 A	12/1989	Fleming	6,082,896 A	7/2000	Pulli
4,941,603 A	7/1990	Creamer et al.	6,089,038 A	7/2000	Tattam
4,984,906 A	1/1991	Little	6,092,266 A	7/2000	Lee
4,986,089 A	1/1991	Raab	6,092,661 A	7/2000	Mogil
4,989,418 A	2/1991	Hewlett	6,128,915 A	10/2000	Wagner
5,004,091 A	4/1991	Natho et al.	6,145,715 A	11/2000	Slonim
5,005,679 A	4/1991	Hjelle	6,149,305 A	11/2000	Fier
5,042,664 A	8/1991	Shyr et al.	6,193,034 B1	2/2001	Fournier
5,048,734 A	9/1991	Long	6,220,473 B1	4/2001	Lehman et al.
5,062,557 A	11/1991	Mahvi et al.	6,234,677 B1	5/2001	Mogil
5,190,376 A	3/1993	Book	6,237,776 B1	5/2001	Mogil
5,216,900 A	6/1993	Jones	6,247,328 B1	6/2001	Mogil
5,221,016 A	6/1993	Karpal	6,253,570 B1	7/2001	Lustig
5,237,838 A	8/1993	Merritt-Munson	6,276,579 B1	8/2001	DeLoach
5,244,136 A	9/1993	Collaso	D447,667 S	9/2001	Schneider et al.
D339,979 S	10/1993	Wehrley	6,286,709 B1	9/2001	Hudson
D340,387 S	10/1993	Melk	6,296,134 B1	10/2001	Cardinale
D340,621 S	10/1993	Melk	6,296,165 B1 *	10/2001	Mears ..... A45C 3/00 150/107
D340,840 S	11/1993	Melk	6,336,577 B1	1/2002	Harris et al.
5,269,368 A	12/1993	Schneider et al.	6,353,215 B1	3/2002	Revels et al.
D343,992 S	2/1994	Melk	D455,934 S	4/2002	Culp et al.
5,297,870 A	3/1994	Weldon	6,409,066 B1	6/2002	Schneider et al.
5,313,807 A	5/1994	Owen	6,422,032 B1	7/2002	Greene
5,325,991 A	7/1994	Williams	D464,235 S	10/2002	Jeong
5,354,131 A	10/1994	Mogil	D465,134 S *	11/2002	Joss ..... D3/287
5,355,684 A	10/1994	Guice	6,481,239 B2	11/2002	Hodosh et al.
5,398,848 A	3/1995	Padamsee	D466,291 S	12/2002	Ng
5,400,610 A	3/1995	Macedo	6,495,194 B2	12/2002	Sato et al.
5,403,095 A	4/1995	Melk	6,505,479 B2	1/2003	Defelice et al.
5,421,172 A	6/1995	Jones	6,511,695 B1	1/2003	Paquin et al.
5,447,764 A	9/1995	Langford	6,513,661 B1	2/2003	Mogil
5,472,279 A	12/1995	Lin	D472,431 S	4/2003	Spence, Jr.
			6,554,155 B1	4/2003	Beggins
			D474,649 S	5/2003	Spence, Jr.
			6,582,124 B2	6/2003	Mogil



(56)

References Cited

U.S. PATENT DOCUMENTS

D476,481 S	7/2003	Gilbert	7,900,816 B2	3/2011	Kastanek et al.
6,595,687 B2	7/2003	Godshaw et al.	D638,220 S	5/2011	Chu et al.
D478,782 S	8/2003	Li	D642,870 S	8/2011	Whitlock et al.
6,604,649 B1	8/2003	Campi	D645,662 S	9/2011	Perez
6,605,311 B2	8/2003	Villagran et al.	8,016,090 B2	9/2011	McCoy et al.
6,619,447 B1	9/2003	Garcia, III et al.	8,043,004 B2	10/2011	Mogil
6,629,430 B2	10/2003	Mills et al.	D648,532 S	11/2011	Sosnovsky
D482,241 S	11/2003	Tyler	8,061,159 B2	11/2011	Mogil et al.
6,652,933 B2	11/2003	Hall	D650,169 S	12/2011	Klifa
6,655,543 B2	12/2003	Beuke	8,096,442 B2	1/2012	Ramundi
D485,131 S	1/2004	Lanman et al.	8,191,747 B2 *	6/2012	Pruchnicki ..... A45C 11/20 224/612
D485,732 S	1/2004	Lanman et al.	D664,261 S	7/2012	Kravitz et al.
D486,038 S	2/2004	Lanman et al.	8,209,995 B2	7/2012	Kieling et al.
6,688,470 B2	2/2004	Dege et al.	D666,896 S	9/2012	Pinholster, Jr. et al.
6,729,758 B1	5/2004	Carter	D667,043 S	9/2012	Couch, III
D492,160 S	6/2004	Lanman et al.	8,281,950 B2	10/2012	Potts et al.
D497,518 S	10/2004	Bellofatto, Jr. et al.	D673,363 S	1/2013	Crandall
6,799,693 B2	10/2004	Meza	D674,664 S	1/2013	Collie
D498,924 S	11/2004	Karl	8,424,713 B2	4/2013	Bolland
D501,600 S	2/2005	Guyon	D682,635 S	5/2013	Boroski
D502,599 S	3/2005	Cabana et al.	8,453,899 B1	6/2013	Calkin
D503,279 S	3/2005	Smith	8,474,640 B2	7/2013	Armstrong
6,874,356 B2	4/2005	Kornfeldt et al.	8,516,848 B2	8/2013	White et al.
D506,645 S	6/2005	Bellofatto, Jr. et al.	8,544,678 B1	10/2013	Hughes
D512,274 S	12/2005	Cabey	8,573,002 B2	11/2013	Ledoux et al.
D515,362 S	2/2006	Chan	D695,568 S	12/2013	Hayes
D516,099 S	2/2006	Maruyama	8,622,235 B2	1/2014	Suchecki
D517,801 S	3/2006	Woo	D699,940 S	2/2014	Robert
D520,306 S	5/2006	Peterson	D699,941 S	2/2014	Robert
D523,243 S	6/2006	Nashmy	D703,946 S	5/2014	Tweedie
D527,226 S	8/2006	Maldonado	8,720,739 B2	5/2014	Bollis
D530,089 S	10/2006	Silverman	D711,096 S	8/2014	Hanna
7,153,025 B1	12/2006	Jackson et al.	D712,555 S	9/2014	Berg
D534,771 S	1/2007	Zorn	8,827,109 B1	9/2014	Sheehan
7,162,890 B2	1/2007	Mogil et al.	8,844,756 B2	9/2014	Beyburg
D539,033 S	3/2007	Cassegrain	D715,544 S	10/2014	Levine
7,201,285 B2	4/2007	Beggins	D718,931 S	12/2014	Brundl
7,207,716 B2	4/2007	Buchanan et al.	D719,303 S	12/2014	Anderson
7,219,814 B2	5/2007	Lown et al.	8,899,071 B2	12/2014	Mogil et al.
7,240,513 B1	7/2007	Conforti	D725,908 S	4/2015	Zwetzig
7,264,134 B2	9/2007	Tulp	D728,942 S	5/2015	Byham
D557,667 S	12/2007	Kawamura et al.	D732,348 S	6/2015	Seiders et al.
7,302,810 B2	12/2007	McCrary	D732,349 S	6/2015	Seiders et al.
D560,102 S	1/2008	Sumter	D732,350 S	6/2015	Seiders et al.
7,313,927 B2	1/2008	Barker	D732,899 S	6/2015	Seiders et al.
7,344,028 B2	3/2008	Hanson	D734,643 S	7/2015	Boroski
D570,603 S	6/2008	Wu et al.	D734,992 S	7/2015	Boroski
D573,422 S	7/2008	Tagliati et al.	9,084,463 B2 *	7/2015	Merrill ..... A45C 11/20
D574,667 S	8/2008	Grabijas, III et al.	D738,108 S	9/2015	Adler et al.
D578,401 S	10/2008	Perry et al.	D739,654 S	9/2015	Brouard
7,481,065 B2	1/2009	Krieger	9,139,352 B2	9/2015	Seiders et al.
D598,194 S	8/2009	Turvey et al.	9,146,051 B2	9/2015	Kamin et al.
7,597,478 B2	10/2009	Pruchnicki et al.	D747,104 S	1/2016	Ford
7,634,919 B2	12/2009	Bernhard, Jr. et al.	9,226,558 B2	1/2016	Armstrong
D607,697 S	1/2010	Whitlock et al.	D749,653 S	2/2016	Carnes
D608,096 S	1/2010	Noble	D750,140 S	2/2016	Cross
D608,159 S	1/2010	Whitlock et al.	9,254,022 B2	2/2016	Meldeau et al.
D610,795 S	3/2010	Dejadon	9,254,023 B2	2/2016	Su et al.
D611,706 S	3/2010	Angles et al.	9,265,318 B1	2/2016	Williams et al.
7,682,080 B2	3/2010	Mogil	D752,347 S	3/2016	Seiders et al.
D617,560 S	6/2010	Wu	9,271,553 B2 *	3/2016	Ponx ..... A45C 3/10
7,730,739 B2	6/2010	Fuchs	9,290,313 B2	3/2016	De Lesseux et al.
D618,966 S	7/2010	Koehler et al.	D756,109 S	5/2016	Hayashi
D619,423 S *	7/2010	Koehler ..... D7/607	9,366,467 B2	6/2016	Kiedaisch et al.
D619,854 S *	7/2010	Koehler ..... D7/607	D760,494 S	7/2016	Harvey-Pankey
D619,855 S	7/2010	Koehler et al.	D761,561 S	7/2016	Cheng
D620,707 S	8/2010	Mogil	D763,570 S	8/2016	Potts
D620,708 S	8/2010	Sanz	D764,791 S	8/2016	Patel
7,775,388 B2	8/2010	Murrer, III	D770,763 S	11/2016	Joo et al.
7,784,759 B2	8/2010	Farrell	D772,562 S	11/2016	Petre
7,791,003 B2	9/2010	Lockhart et al.	D792,486 S	7/2017	Li et al.
7,811,620 B2	10/2010	Merrill et al.	D798,670 S	10/2017	Seiders et al.
7,815,069 B1	10/2010	Bellofatto et al.	D799,276 S	10/2017	Seiders et al.
D629,612 S	12/2010	Weldon	D799,277 S	10/2017	Seiders et al.
7,874,177 B2	1/2011	Azamy	D799,905 S	10/2017	Seiders et al.
			D800,444 S	10/2017	Burton et al.
			D801,123 S	10/2017	Seiders et al.
			D802,028 S	11/2017	Li



(56)

References Cited

U.S. PATENT DOCUMENTS

D802,029 S 11/2017 Li  
 D802,373 S 11/2017 Seiders et al.  
 D802,630 S 11/2017 Li et al.  
 D809,869 S 2/2018 Seiders et al.  
 2002/0197369 A1 12/2002 Modler  
 2003/0070447 A1 4/2003 Tanaka  
 2003/0080133 A1 5/2003 Butler  
 2003/0106895 A1 6/2003 Kalal  
 2003/0136702 A1\* 7/2003 Redzisz ..... A45C 7/0077  
 206/545  
 2003/0175394 A1 9/2003 Modler  
 2004/0004111 A1 1/2004 Cardinale  
 2004/0028296 A1 2/2004 Meli  
 2004/0035143 A1 2/2004 Mogil  
 2004/0074936 A1 4/2004 McDonald  
 2004/0094589 A1 5/2004 Fricano  
 2004/0144783 A1 7/2004 Anderson et al.  
 2004/0149600 A1 8/2004 Wolter et al.  
 2004/0164084 A1 8/2004 Cooper  
 2004/0237266 A1 12/2004 Wang  
 2005/0016895 A1 1/2005 Glenn  
 2005/0045520 A1 3/2005 Johnson  
 2005/0045521 A1 3/2005 Johnson et al.  
 2005/0183446 A1 8/2005 Fuchs  
 2005/0196510 A1 9/2005 Walters  
 2005/0262871 A1 12/2005 Bailey-Weston  
 2005/0263528 A1 12/2005 Maldonado et al.  
 2005/0279124 A1 12/2005 Maldonado  
 2006/0007266 A1 1/2006 Silverbrook  
 2006/0102497 A1 5/2006 Wulf  
 2006/0151533 A1 7/2006 Simunovic et al.  
 2006/0201979 A1 9/2006 Achilles  
 2006/0240159 A1 10/2006 Cash et al.  
 2007/0012593 A1 1/2007 Kitchens et al.  
 2007/0148305 A1 6/2007 Sherwood et al.  
 2007/0148307 A1 6/2007 Sherwood et al.  
 2007/0217187 A1 9/2007 Blakely et al.  
 2007/0221693 A1 9/2007 Moore  
 2007/0237432 A1\* 10/2007 Mogil ..... A45C 7/0077  
 383/38  
 2007/0261977 A1 11/2007 Sakai  
 2007/0274613 A1 11/2007 Pruchnicki et al.  
 2007/0290816 A1 12/2007 Bedard  
 2008/0038424 A1 2/2008 Krusemann  
 2008/0073364 A1 3/2008 Simmons  
 2008/0105282 A1 5/2008 Fernholz et al.  
 2008/0128421 A1 6/2008 Ulbrand et al.  
 2008/0160149 A1 7/2008 Nasrallah et al.  
 2008/0164265 A1 7/2008 Conforti  
 2008/0178865 A1 7/2008 Retterer  
 2008/0245096 A1 10/2008 Hanson et al.  
 2008/0260303 A1 10/2008 De Lesseux et al.  
 2008/0305235 A1 12/2008 Gao et al.  
 2009/0052809 A1 2/2009 Sampson  
 2009/0095757 A1 4/2009 Ramundi  
 2009/0280229 A1 11/2009 Constantine et al.  
 2009/0311378 A1 12/2009 Wilaschin et al.  
 2009/0317514 A1 12/2009 Sizer  
 2010/0047423 A1 2/2010 Kruesemann et al.  
 2010/0059199 A1 3/2010 Court  
 2010/0075006 A1 3/2010 Semenza  
 2010/0108694 A1 5/2010 Sedlbauer et al.  
 2010/0136203 A1 6/2010 Sakata et al.  
 2010/0143567 A1 6/2010 Ye et al.  
 2010/0224660 A1 9/2010 Gleason  
 2010/0284631 A1 11/2010 Lee  
 2011/0003975 A1 1/2011 Arase et al.  
 2011/0005739 A1 1/2011 Finney et al.  
 2011/0030415 A1 2/2011 Breyburg et al.  
 2011/0097442 A1 4/2011 Harju et al.  
 2011/0108562 A1 5/2011 Lyons  
 2011/0167863 A1 7/2011 Herrbold  
 2011/0182532 A1 7/2011 Baltus  
 2011/0191933 A1 8/2011 Gregory et al.  
 2011/0284601 A1 11/2011 Pullin

2011/0311166 A1 12/2011 Pascua  
 2012/0106130 A1 5/2012 Beaudette  
 2012/0137637 A1 6/2012 Gillis  
 2012/0180184 A1 7/2012 Crye  
 2012/0181211 A1 7/2012 Charlebois  
 2012/0187138 A1 7/2012 Vasquez et al.  
 2012/0294550 A1 11/2012 Hassman et al.  
 2012/0311828 A1 12/2012 Nir  
 2013/0014355 A1 1/2013 Lee  
 2013/0043285 A1\* 2/2013 Cordray ..... A45C 11/20  
 224/148.3  
 2013/0174600 A1 7/2013 Sarcinella  
 2013/0216158 A1 8/2013 Meldeau et al.  
 2013/0264350 A1 10/2013 Handlon et al.  
 2013/0294712 A1 11/2013 Seuk  
 2013/0341338 A1 12/2013 Mitchell et al.  
 2014/0023295 A1 1/2014 Wagner  
 2014/0034543 A1 2/2014 Grubstein  
 2014/0226920 A1 8/2014 Passavia  
 2014/0248003 A1 9/2014 Mogil et al.  
 2014/0254956 A1 9/2014 Buell, III  
 2014/0366336 A1 12/2014 Chung  
 2015/0008242 A1 1/2015 Kpabar, Jr.  
 2015/0114024 A1 4/2015 Grepper  
 2015/0136796 A1 5/2015 Muehlhauser  
 2015/0175338 A1 6/2015 Culp et al.  
 2015/0225164 A1\* 8/2015 Seiders ..... B65D 81/3858  
 220/592.25  
 2015/0335202 A1 11/2015 Wisner et al.  
 2015/0353263 A1 12/2015 Seiders et al.  
 2016/0066817 A1 3/2016 Hannes  
 2016/0101924 A1 4/2016 Mitchell et al.  
 2016/0107816 A1\* 4/2016 Larpenteur ..... A47J 47/14  
 220/592.01  
 2016/0257479 A1 9/2016 Seiders et al.  
 2016/0338462 A1 11/2016 Hayashi

FOREIGN PATENT DOCUMENTS

CA 2300014 A1 8/2001  
 CA 2327764 A1 6/2002  
 CA 2433251 A1 12/2004  
 CA 2483802 A1 4/2006  
 CA 2498796 A1 9/2006  
 CA 2499291 A1 9/2006  
 CA 2503473 A1 10/2006  
 CA 2548064 A1 11/2007  
 CA 2549327 A1 11/2007  
 CA 2633223 A1 12/2009  
 CA 2782668 A1 12/2013  
 CN 2125339 U 12/1992  
 CN 2188899 Y 2/1995  
 CN 201062136 Y 5/2008  
 CN 102717977 A 10/2012  
 CN 202619972 U 12/2012  
 CN 202959175 U 6/2013  
 CN 103385657 A 11/2013  
 CN 302623771 11/2013  
 CN 302623775 11/2013  
 CN 302769710 3/2014  
 CN 302956550 10/2014  
 CN 303100086 2/2015  
 CN 303342902 8/2015  
 DE 3539626 A1 5/1987  
 DE 20002689 U1 8/2000  
 DE 202011050174 U1 7/2011  
 DE 202013101115 U1 3/2013  
 EP 0037545 A2 10/1981  
 EP 0082131 A2 6/1983  
 EP 85534 A1 8/1983  
 EP 0158634 A1 10/1985  
 EP 0174159 A2 3/1986  
 EP 0238932 A1 9/1987  
 FR 1269009 A 8/1961  
 FR 2440886 A1 6/1980  
 GB 1600133 A 10/1981  
 GB 2249717 A 5/1992  
 GB 2335972 A 10/1999  
 GB 3004135 9/2002



(56)

## References Cited

## FOREIGN PATENT DOCUMENTS

GB	3006367	10/2002
JP	11051532	2/1999
JP	3275477 B2	4/2002
JP	D1160335	12/2002
JP	2003026258 A	1/2003
JP	D1213384	8/2004
JP	D1242111	6/2005
JP	2010023926 A	2/2010
JP	D1445624	7/2012
KR	20020027739 A	4/2002
KR	20040092730 A	11/2004
KR	300778570.0000	1/2015
KR	300808669.0000	8/2015
KR	300835242.0000	1/2016
KR	300853718.0000	5/2016
WO	9524146 A2	9/1995
WO	9812954 A1	4/1998
WO	02058500 A1	8/2002
WO	2006007266 A2	1/2006
WO	2006058538 A1	6/2006
WO	2007016092 A2	2/2007
WO	2010106296 A2	9/2010
WO	2010120199 A1	10/2010
WO	2012003543 A1	1/2012
WO	2014033450 A1	3/2014
WO	2014066026 A1	5/2014
WO	2016066817 A1	5/2016

## OTHER PUBLICATIONS

Icemule Classic Cooler—Large (20L), <http://www.icemulecooler.com/icemule-classic-cooler-large-20l/>, published date unknown, but prior to the filing date of the present application, ICEMULE, United States.

The-gadgeteer.com: Tom Bihn Camera I-O Bag Review. Published by Janet Cloninger on Jul. 9, 2012. Retrieved from the Internet at <http://the-gadgeteer.com/2012/07/09/tom-bihn-camera-i-o-bag-review/>, Jan. 8, 2016. 23 pages.

Devonbuy.com: Thule Gauntlet 13' MacBook Pro Attaché. Published on Jul. 28, 2014. Retrieved from the internet at (<http://www.devonbuy.com/thule-gauntlet-13-macbook-pro-attache/>), Feb. 24, 2016. 9 pages.

United States District Court for the Western District of Texas, Austin Division, “Defendants’ Answer and Counterclaims to YETI’s Complaint,” *YETI Coolers, LLC, vs. RTIC Soft Sided Coolers, LLC, RTIC Coolers, LLC, RTIC Web Services, LLC, and Corporate Support and Fulfillment, LLC*, Case 1:16-cv-00909-RP, Document 11, Filed Aug. 18, 2016, 44 pages.

United States District Court Western District of Texas, Austin Division, “Complaint,” *YETI Coolers, LLC, v. RTIC Soft Side Coolers, RTIC Coolers, LLC, RTIC Web Services, LLC, and Corporate Support and Fulfillment, LLC*, Case 1:16-cv-00909, Document 1, Filed Jul. 27, 2016, 66 pages.

United States District Court Western District of Texas, Austin Division, “Complaint for Damages and Injunctive Relief,” *YETI Coolers, LLC v. Jennifer Leverne Bootz Evans d/b/a Bling and Burlap Buy In’s and Blanks*, Case 1:15-cv-00995, Document 1, Filed Nov. 2, 2015, 128 pages.

United States District Court Western District of Texas, Austin Division, “Order,” *YETI Coolers, LLC v. Jennifer Leverne Bootz Evans d/b/a Bling and Burlap Buy In’s and Blanks*, Case 1:15-cv-00995-RP, Document 18, Filed Apr. 18, 2016, 1 page.

United States District Court Western District of Texas, Austin Division, “Defendant’s Reply in Support of Their Rule 12 (B)(6) Motion to Dismiss for Failure to State a Claim” *YETI Coolers, LLC v. RTIC Soft Sided Coolers, LLC, RTIC Coolers, LLC, RTIC Web Services, LLC, and Corporate Support and Fulfillment, LLC*, Case 1:16-cv-00909-RP, Document 15, Filed Sep. 8, 2016, 13 pages.

United States District Court Western District of Texas, Austin Division, “YETI’s Answer to RTIC’s Counterclaims,” *YETI coolers, LLC v. RTIC Soft Sided Coolers, LLC, RTIC Coolers, LLC, RTIC Web Services, LLC, and Corporate Support and Fulfillment, LLC*, Case 1:16-cv-00909-RP, Document 14, Filed Sep. 2, 2016, 16 pages.

United States District Court Western District of Texas, Austin Division, “YETI’s Opposition to RTIC’s Motion to Dismiss,” *YETI Coolers, LLC v. RTIC Soft Sided Coolers, LLC, RTIC Coolers, LLC, RTIC Web Services, LLC, and Corporate Support and Fulfillment, LLC*, Case 1:16-cv-00909-RP, Document 13, Filed Sep. 1, 2016, 17 pages.

United States District Court for the Western District of Texas, Austin Division, “Defendants’ Rule 12(B)(6) Motion to Dismiss for Failure to State a Claim,” *YETI Coolers, LLC, vs. RTIC Soft Sided Coolers, LLC, RTIC Coolers, LLC, RTIC Web Services, LLC, and Corporate Support and Fulfillment, LLC*, Case 1:16-cv-00909-RP, Document 10, Filed Aug. 18, 2016, 12 pages.

United States District Court for the Western District of Texas, Austin Division, “Joint Rule 26(f) Report and Discovery Plan,” *YETI Coolers, LLC, vs. RTIC Soft Sided Coolers, LLC, RTIC Coolers, LLC, RTIC Web Services, LLC, and Corporate Support and Fulfillment, LLC*, Case 1:16-cv-00909-RP, Document 19, Filed Oct. 11, 2016, 9 pages.

Petition for Inter Partes Review of U.S. Pat. No. 9,139,352, filed on Dec. 13, 2016, 1616 pages.

YouTube.com: Patagonia Black Hole Duffel 60L. Published Aug. 26, 2013. Retrieved from the internet at <https://www.youtube.com/watch?v=W-PWEmZmVv8>, Dec. 19, 2016. 1 page.

TheGadgeteer.com: Tom Bihn Camera I-O Bag Review. Published Jul. 9, 2012. Retrieved from the internet at <http://the-gadgeteer.com/2012/07/09/tom-bihn-camera-i-o-bag-review/>, Jan. 11, 2016. 7 pages.

YouTube.com: Patagonia Black Hole Duffel 60L. Published Aug. 26, 2013. Retrieved from the internet at <https://www.youtube.com/watch?v=W-PWEmZmVv8>, Dec. 19, 2016. 1 page.

Youtube, “Yeti Hopper Cooler At iCast 2014”, Uploaded by user TackleDirect on Jul. 17, 2014, Accessed Jan. 31, 2017. (<https://www.youtube.com/watch?v=A2rKRdyZcZ4>).

Ebags, Picnic Pack Picnic Pack Large Insulated Cooler Tote, First reviewed on Jul. 20, 2016. Accessed Feb. 7, 2017. (<http://www.ebags.com/product/picnic-pack/picnic-pack-large-insulated-cooler-tote/313704?productid=10428840>).

United States Patent and Trademark Office Before the Patent Trial and Appeal Board, Decisions Joint Motions to Terminate Inter Partes Review, Entered Mar. 22, 2017—(4 pgs).

Jan. 31, 2017—(WO) International Search Report and Written Opinion—App. PCT/US2016/060135.

Mar. 31, 2017—(WO) International Search Report and Written Opinion—App. PCT/US2017/016552.

May 8, 2017—U.S. Non-Final Office Action—U.S. Appl. No. 15/154,626.

May 22, 2015—U.S. Non-Final Office Action—U.S. Appl. No. 14/479,607.

United States District Court Western District of Texas Austin Division, “Complaint,” *YETI Coolers, LLC v. Glacier coolers, LLC, and Tecomate Holdings, LLC*, Case 1:17-cv-00586, Document 1, filed Jun. 15, 2017, 161 pages.

May 30, 2017—(WO) ISR—App. No. PCT/US17/32351.

May 30, 2017—(WO) Written Opinion—App. No. PCT/US17/32351.

Good Housekeeping, “Lands’ End Zip Top Cooler Tote #433786”, Reviewed on Apr. 2014, Accessed Nov. 18, 2017. (<http://www.goodhousekeeping.com/travel-products/food-cooler-reviews/a33270/lands-end-zip-top-cooler-tote-4337861/>).

Home Shopping Network, “Built New York Large Welded Cooler Bag”, Accessed Nov. 18, 2017. (<https://www.hsn.com/products/built-new-york-large-welded-cooler-bag/8561-033>).

\* cited by examiner



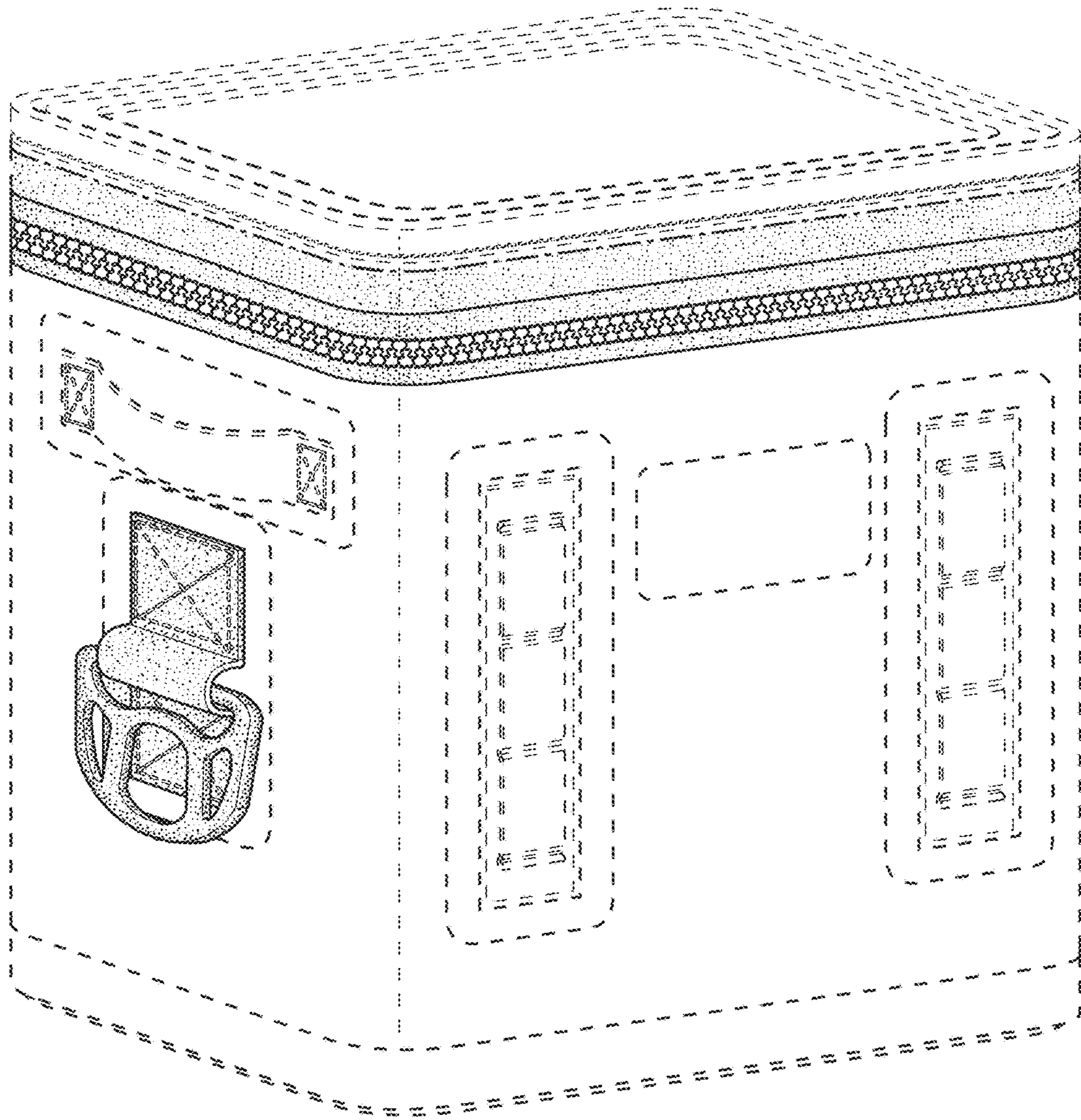


FIG. 1

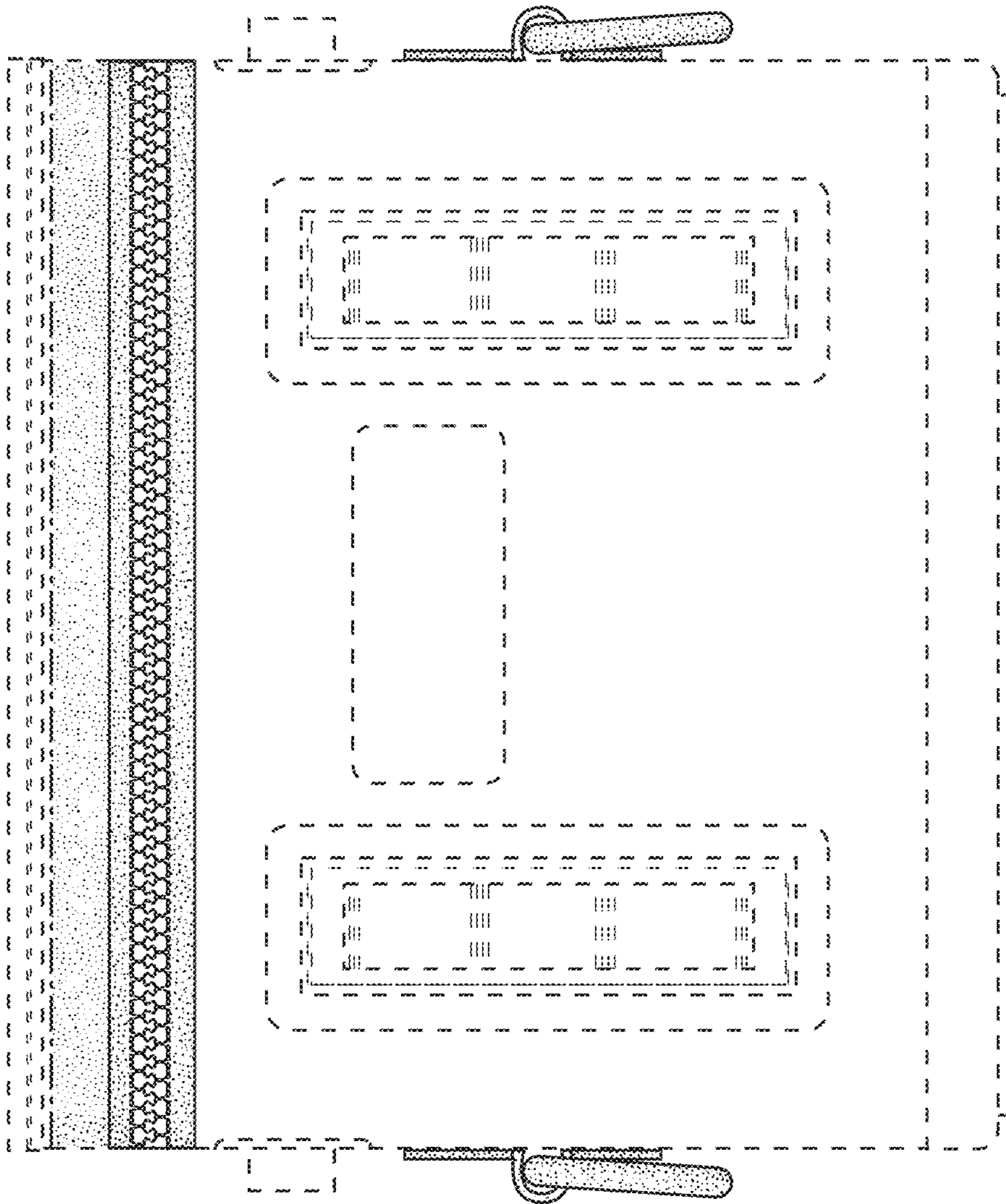


FIG. 2

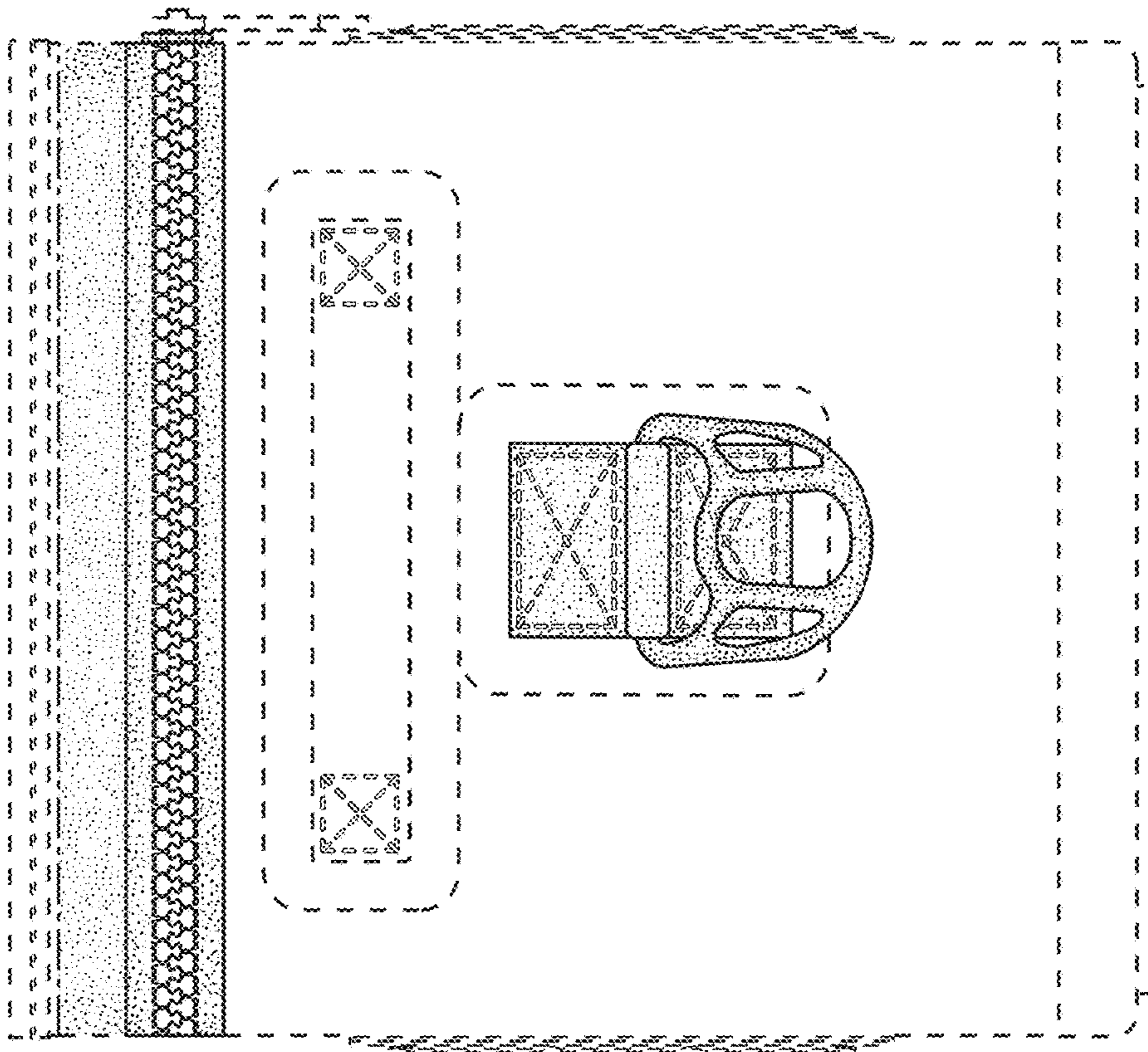


FIG. 3



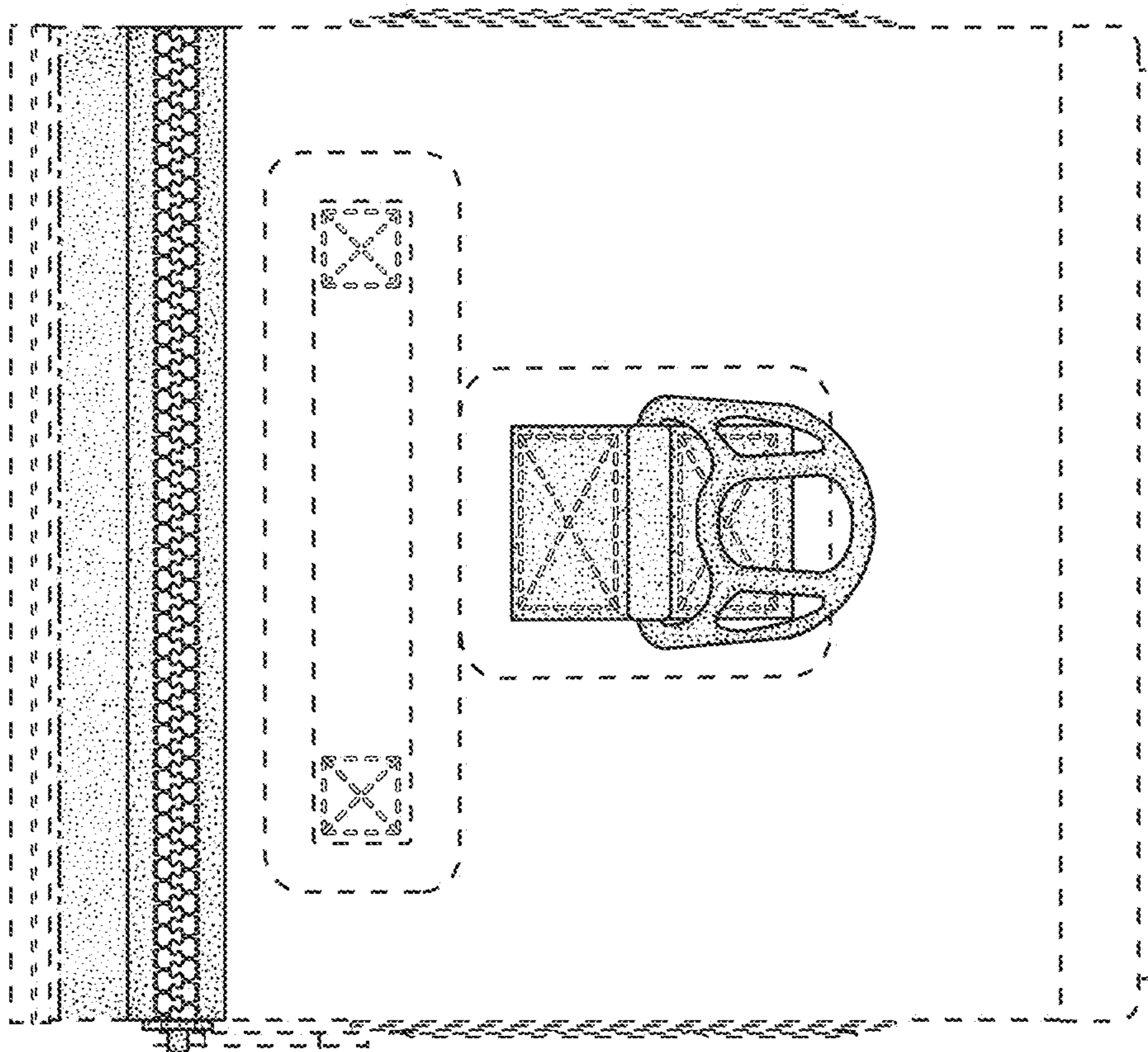


FIG. 4