



US00D840760S

(12) **United States Design Patent**
Carrette

(10) **Patent No.:** **US D840,760 S**

(45) **Date of Patent:** **** Feb. 19, 2019**

- (54) **BOWL**
- (71) Applicant: **Dart Industries Inc.**, Orlando, FL (US)
- (72) Inventor: **Johan Carrette**, Brussels (BE)
- (73) Assignee: **Dart Industries Inc.**, Orlando, FL (US)
- (**) Term: **15 Years**
- (21) Appl. No.: **29/573,409**

- 5,601,012 A * 2/1997 Ellner A21B 3/133
249/120
- 5,894,953 A * 4/1999 Ramirez B65D 21/0233
206/508
- D465,887 S * 11/2002 Begnani D32/35
- D476,861 S * 7/2003 Zettle D7/538
- D491,024 S * 6/2004 Welsh D7/629
- D500,229 S * 12/2004 Bravard D7/543
- D506,106 S * 6/2005 Ordiway D7/629
- D522,309 S * 6/2006 Pukall D7/360
- D562,148 S * 2/2008 Park D9/428

(Continued)

- (22) Filed: **Aug. 5, 2016**
- (51) **LOC (11) Cl.** **07-07**
- (52) **U.S. Cl.**
USPC **D7/602**
- (58) **Field of Classification Search**
USPC D7/354, 601-602, 610, 629-630,
D7/707-708, 357; 206/405, 557;
D9/424-426, 428, 500-503, 761, 429;
426/392; 229/903; D99/429
CPC B65D 1/36; B65D 81/3446; B65D 1/00;
A47G 23/04; A47G 23/0683; A47G 23/06
See application file for complete search history.

(56) **References Cited**

U.S. PATENT DOCUMENTS

- 2,412,325 A * 12/1946 Devine B65D 21/022
206/508
- 2,816,589 A * 12/1957 Tupper A47G 19/30
220/305
- 3,401,825 A * 9/1968 Weiss B65D 43/021
220/787
- D241,399 S * 9/1976 Christian D7/540
- 4,082,184 A * 4/1978 Hammer B65D 1/22
206/519
- D268,470 S * 4/1983 Kato D7/602
- D286,844 S * 11/1986 Daenen D7/586
- 5,065,889 A * 11/1991 Conti A47G 19/027
220/360
- D349,005 S * 7/1994 Cousins D7/543

OTHER PUBLICATIONS

600 mL Bowl, CrystalWave, imakenews.com, posted by Tupperware Trends on Sep. 15, 2011 © not listed, online, site visited Aug. 29, 2018. Available from Internet, URL: http://www.imakenews.com/eletra/mod_print_view.cfm?this_id=2208447&u=twnewsletter&show_issue_date=T&issue_id=000542759&lid=b11&uid=0 (Year: 2011).*

(Continued)

Primary Examiner — Shannon W Morgan
Assistant Examiner — Altaira J Swangin
(74) *Attorney, Agent, or Firm* — Taylor J. Ross

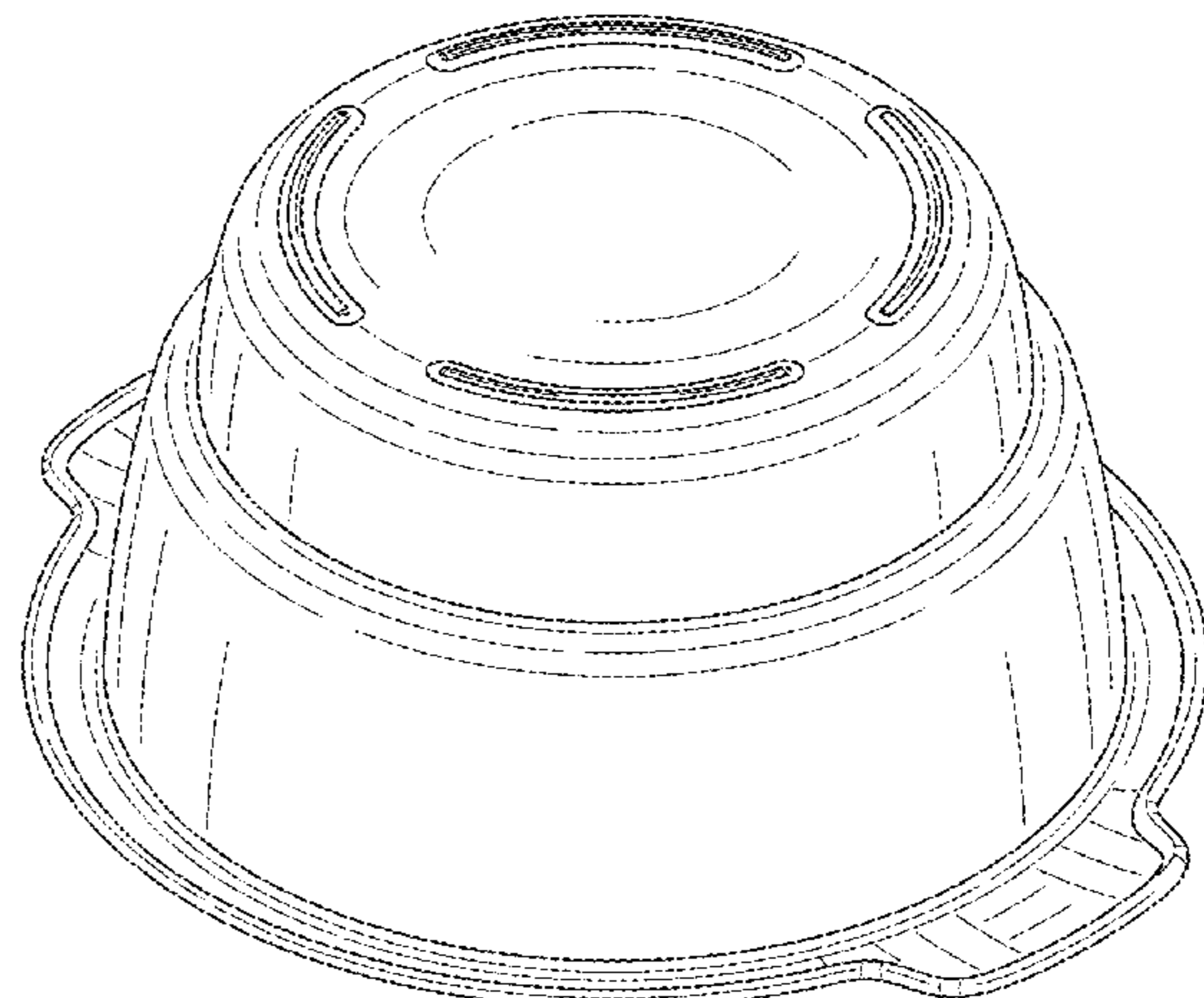
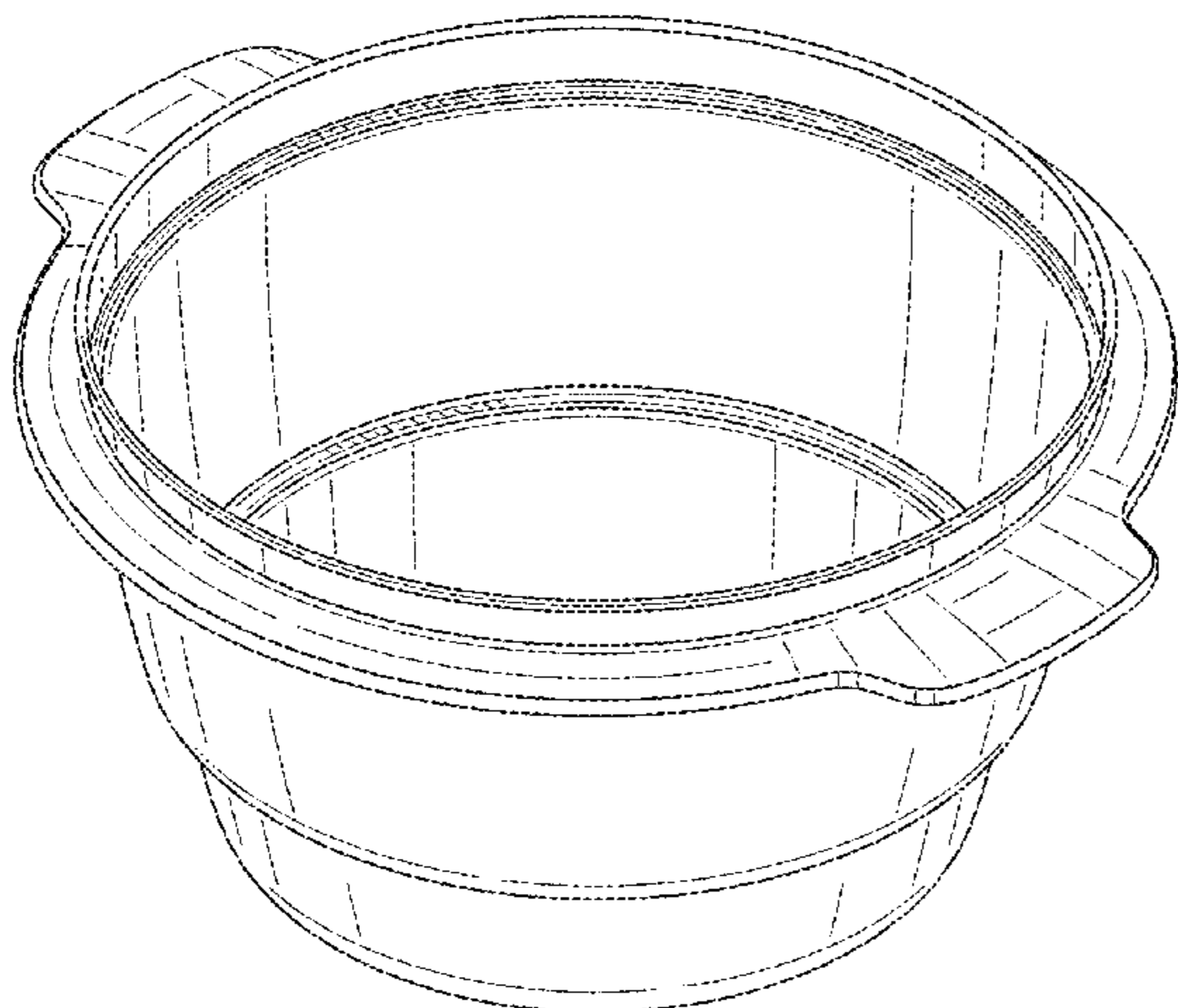
(57) **CLAIM**

The ornamental design for a bowl, as shown and described.

DESCRIPTION

FIG. 1 is a top, front and right side perspective view of a bowl showing my new design;
FIG. 2 is a bottom, rear and right side perspective view thereof;
FIG. 3 is a top plan view thereof;
FIG. 4 is a bottom plan view thereof;
FIG. 5 is a front elevation view, the rear elevation being identical thereto; and,
FIG. 6 is a right side elevation view, the left side elevation being identical thereto.

1 Claim, 3 Drawing Sheets



(56)

References Cited

U.S. PATENT DOCUMENTS

D582,218 S * 12/2008 Curtin D7/540
 D591,590 S * 5/2009 Wilson D9/428
 D594,704 S * 6/2009 Loaiza D7/538
 D604,989 S 12/2009 Chen et al.
 7,654,402 B2 * 2/2010 Kusuma B65D 21/086
 220/666
 D611,300 S 3/2010 Chen et al.
 D613,131 S 4/2010 Chen et al.
 D625,149 S * 10/2010 Stamper D7/538
 D653,910 S * 2/2012 Stamper D7/543
 D674,666 S * 1/2013 Pallotto D7/629
 D676,284 S 2/2013 Pallotto
 8,772,685 B2 7/2014 Backaert et al.
 D719,410 S * 12/2014 Lee D7/602
 D746,640 S * 1/2016 Myoung D7/527
 D752,975 S * 4/2016 Gatto D9/434
 D763,625 S * 8/2016 Wright D7/545
 D775,957 S * 1/2017 Hunt D7/629

D804,727 S * 12/2017 Zolotnik D28/61
 D815,915 S * 4/2018 Raphael D7/584
 D815,925 S * 4/2018 Rapparini D7/630
 D823,642 S * 7/2018 Ribeiro-Ramalhosa D7/543
 D823,643 S * 7/2018 Paul D7/584
 D827,382 S * 9/2018 Uzunlar D7/538
 2005/0127074 A1 * 6/2005 Kusuma B65D 21/086
 220/6
 2018/0237188 A1 * 8/2018 Aung B65D 25/04

OTHER PUBLICATIONS

Microwave-Reheatable Containers, Crystal Wave, order.tupperware.com, posted by Tupperware in mid-September catalog Oct. 14, 2011 © Tupperware, online, site visited Aug. 29, 2018. Available from URL: file:///H:/019%20FOOD%20PREP/29-573409%20Bowl%20and%20Covered%20Bowl%20-%20Dart/npl/NPL%20a.pdf (Year: 2011).*

* cited by examiner

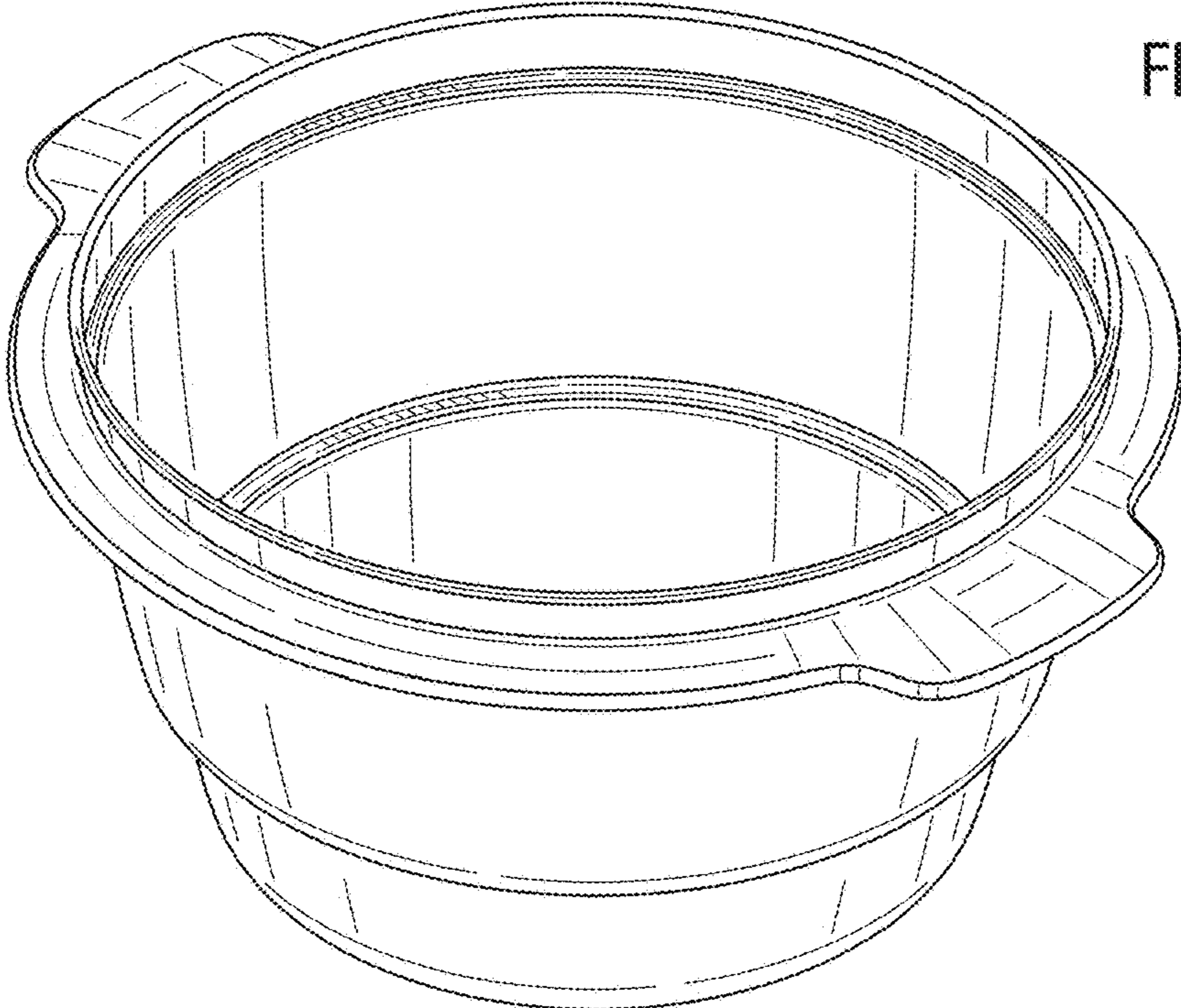


FIG. 1

FIG. 2

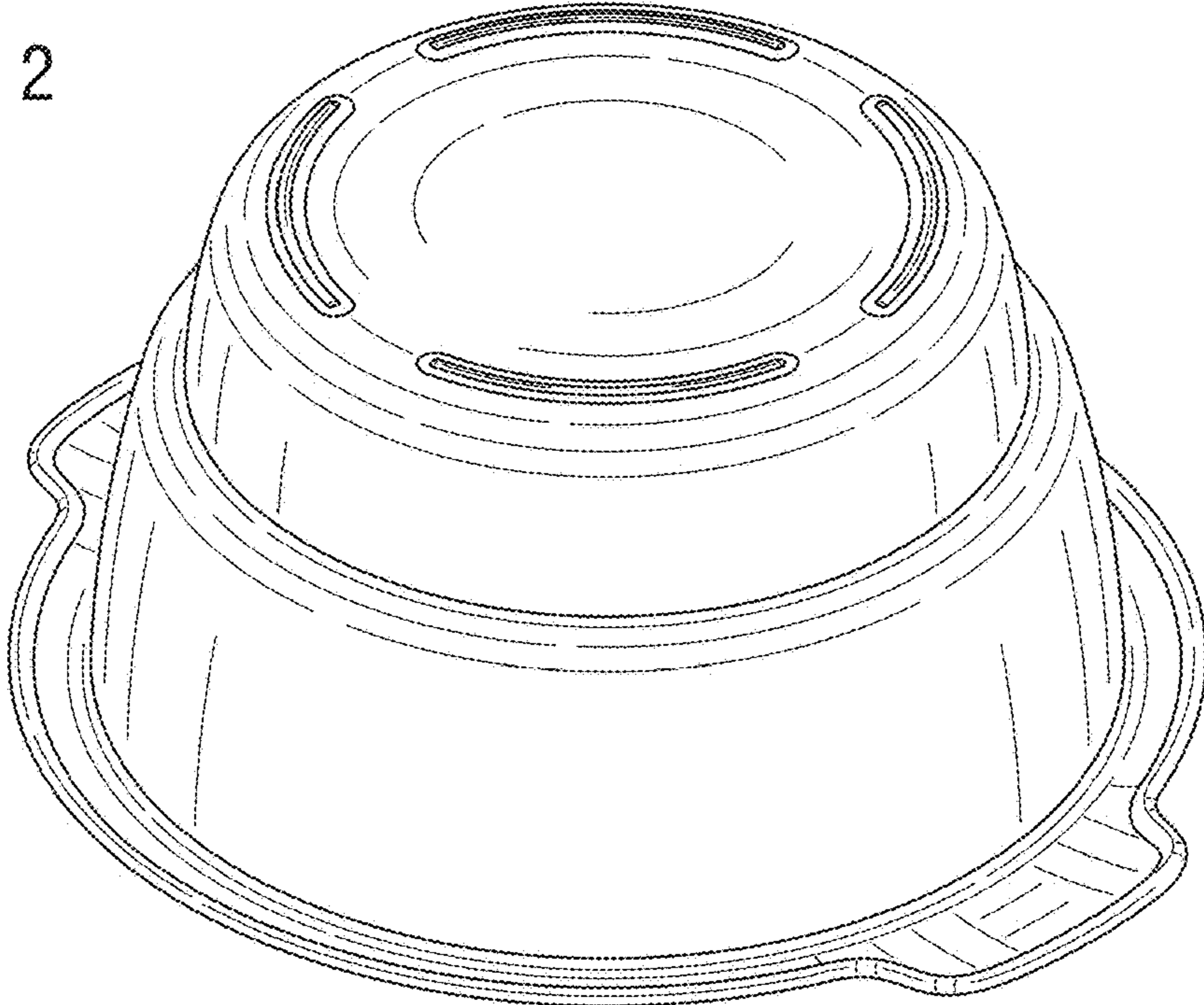


FIG. 3

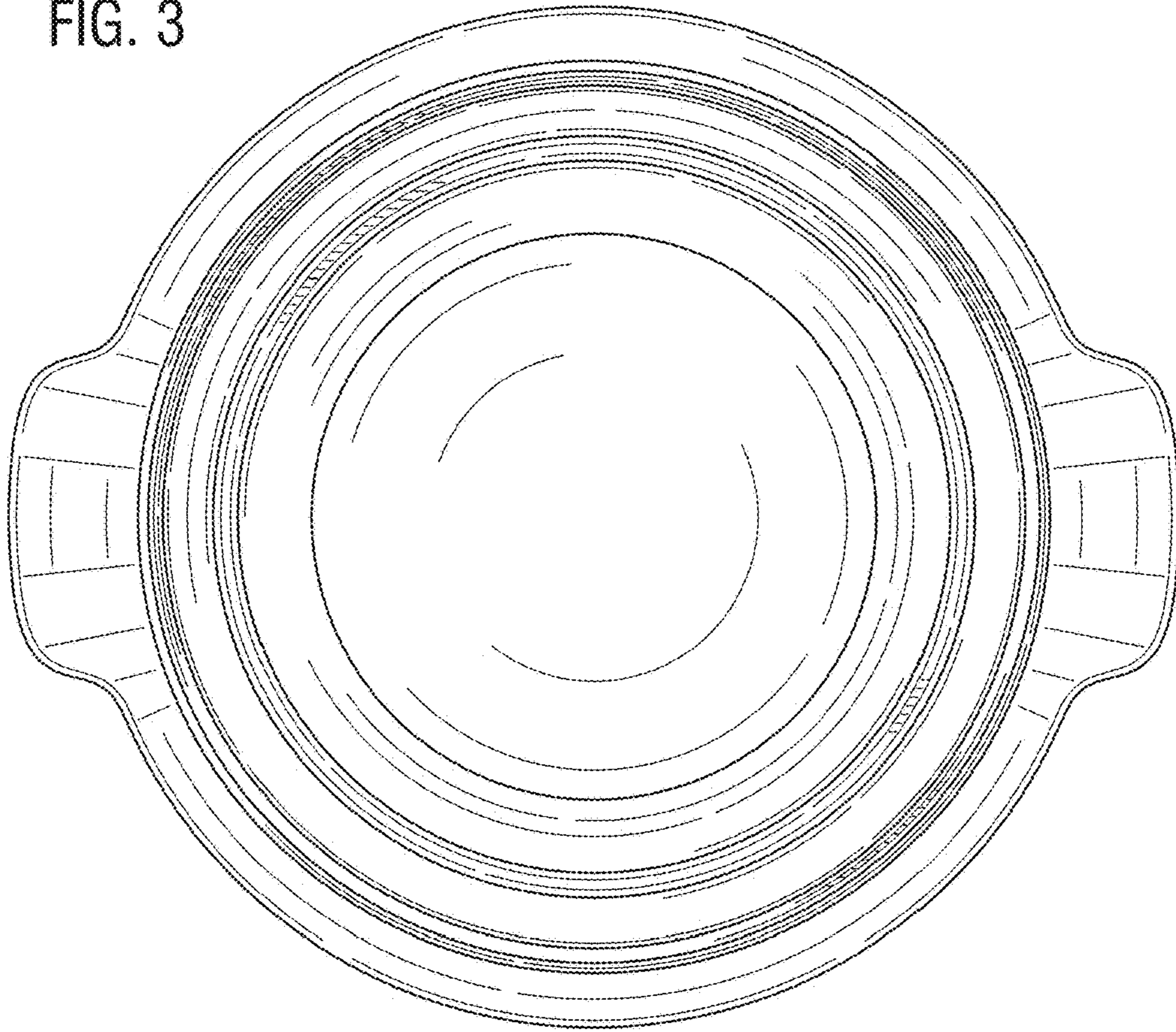


FIG. 5

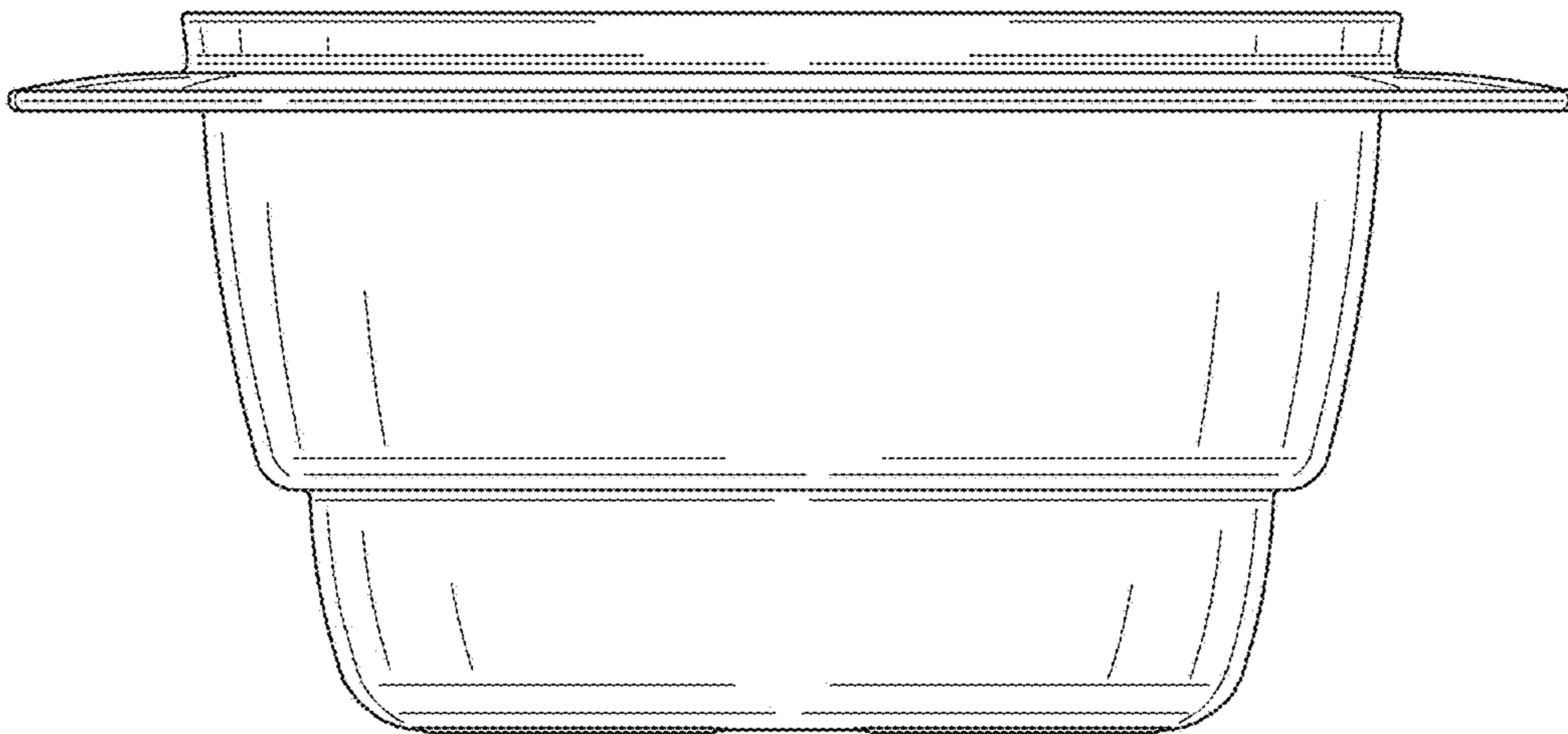


FIG. 4

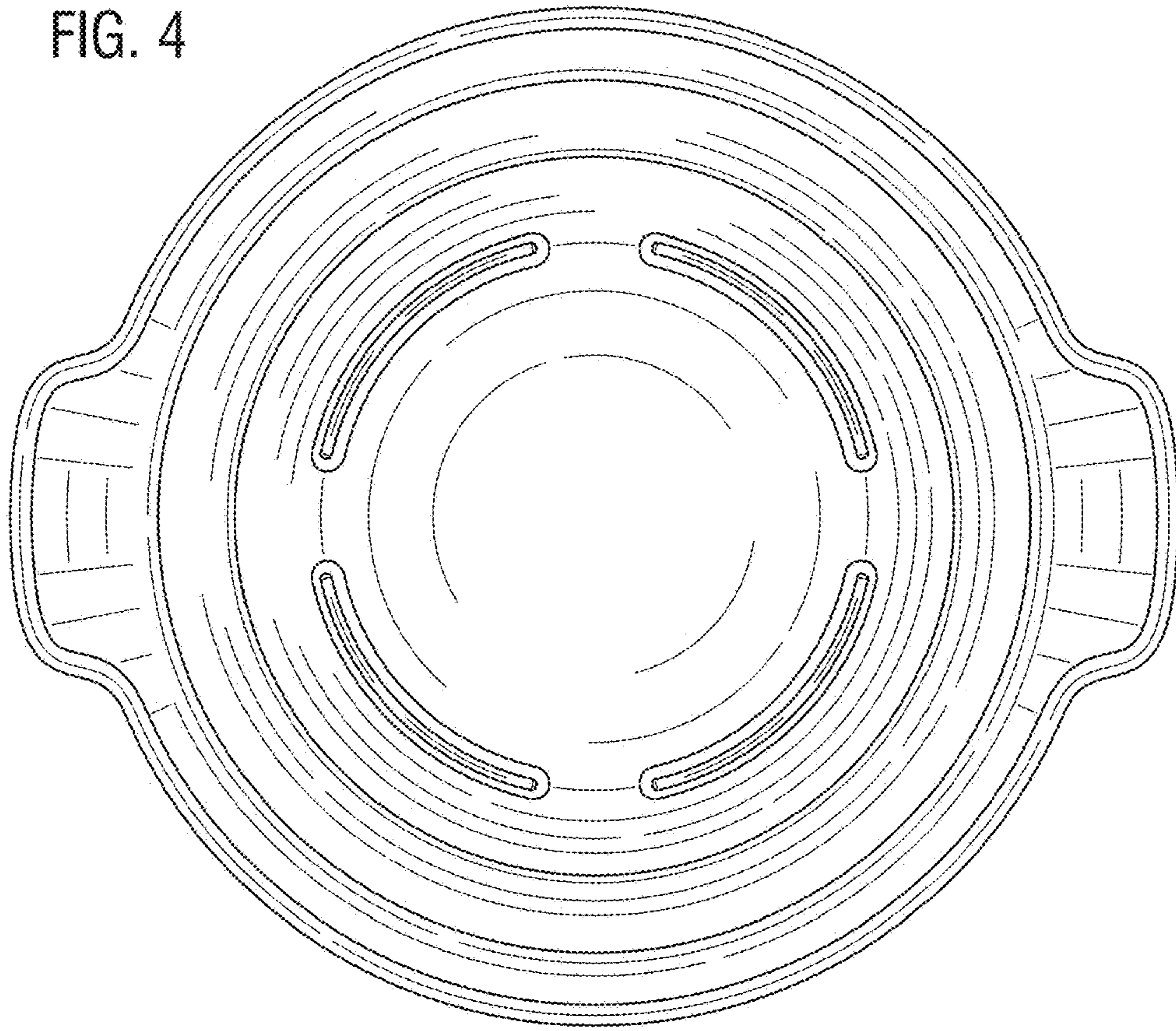


FIG. 6

