



US00D840759S

(12) **United States Design Patent** (10) **Patent No.:** **US D840,759 S**
Wrightson et al. (45) **Date of Patent:** **** Feb. 19, 2019**

(54) **SNACK BOWL**
(71) Applicant: **EVENTMAX DESIGN, LLC**,
Collinsville, IL (US)
(72) Inventors: **Richard Hastings Wrightson**, Los
Angeles, CA (US); **Dallas Aaron**
Amsden, Collinsville, IL (US)
(73) Assignee: **EVENTMAX DESIGN, LLC**,
Collinsville, IL (US)
(**) Term: **15 Years**

D282,233 S * 1/1986 Kelley D19/75
D324,546 S * 3/1992 Casolin D19/75
D363,853 S * 11/1995 Smith D7/504
D426,110 S * 6/2000 Schmidt D7/549
D604,105 S * 11/2009 Metcalfe D7/388
D605,896 S * 12/2009 Zalewski D7/553.1
D609,058 S * 2/2010 Roth D7/602
D693,646 S * 11/2013 Katterheinrich D7/555
D695,077 S * 12/2013 Chase D7/555
D707,085 S * 6/2014 Carmichael D7/554.2
D731,248 S * 6/2015 Breton D7/553.2
D734,098 S * 7/2015 Breton D7/553.6
D743,212 S * 11/2015 Habig D7/555
D745,807 S * 12/2015 Harris D7/553.2
D753,443 S * 4/2016 Mock D7/555

(21) Appl. No.: **29/622,473**
(22) Filed: **Oct. 17, 2017**

* cited by examiner

Primary Examiner — Cynthia R Underwood
(74) *Attorney, Agent, or Firm* — Kevin Schraven; Anooj
Patel; Hankin Patent Law, APC

Related U.S. Application Data

(60) Division of application No. 29/578,007, filed on Sep.
16, 2016, now Pat. No. Des. 803,627, which is a
continuation-in-part of application No. 29/543,379,
filed on Oct. 23, 2015, now Pat. No. Des. 793,814.

(57) **CLAIM**

(51) **LOC (11) Cl.** **07-01**
(52) **U.S. Cl.**
USPC **D7/555**

The ornamental design for a snack bowl, as shown and
described.

(58) **Field of Classification Search**
USPC D7/500, 555, 501, 553.6, 554.1, 590,
D7/600.2, 552.2, 553.8, 553.4, 584,
D7/553.3, 553.2, 553.1; D6/691, 349,
D6/685, 406.6; 211/74, 133.4, 144, 183;
108/141; 312/305
CPC A47G 21/001; B65D 43/162; B65D
43/0249; B65D 43/26; A47J 47/16
See application file for complete search history.

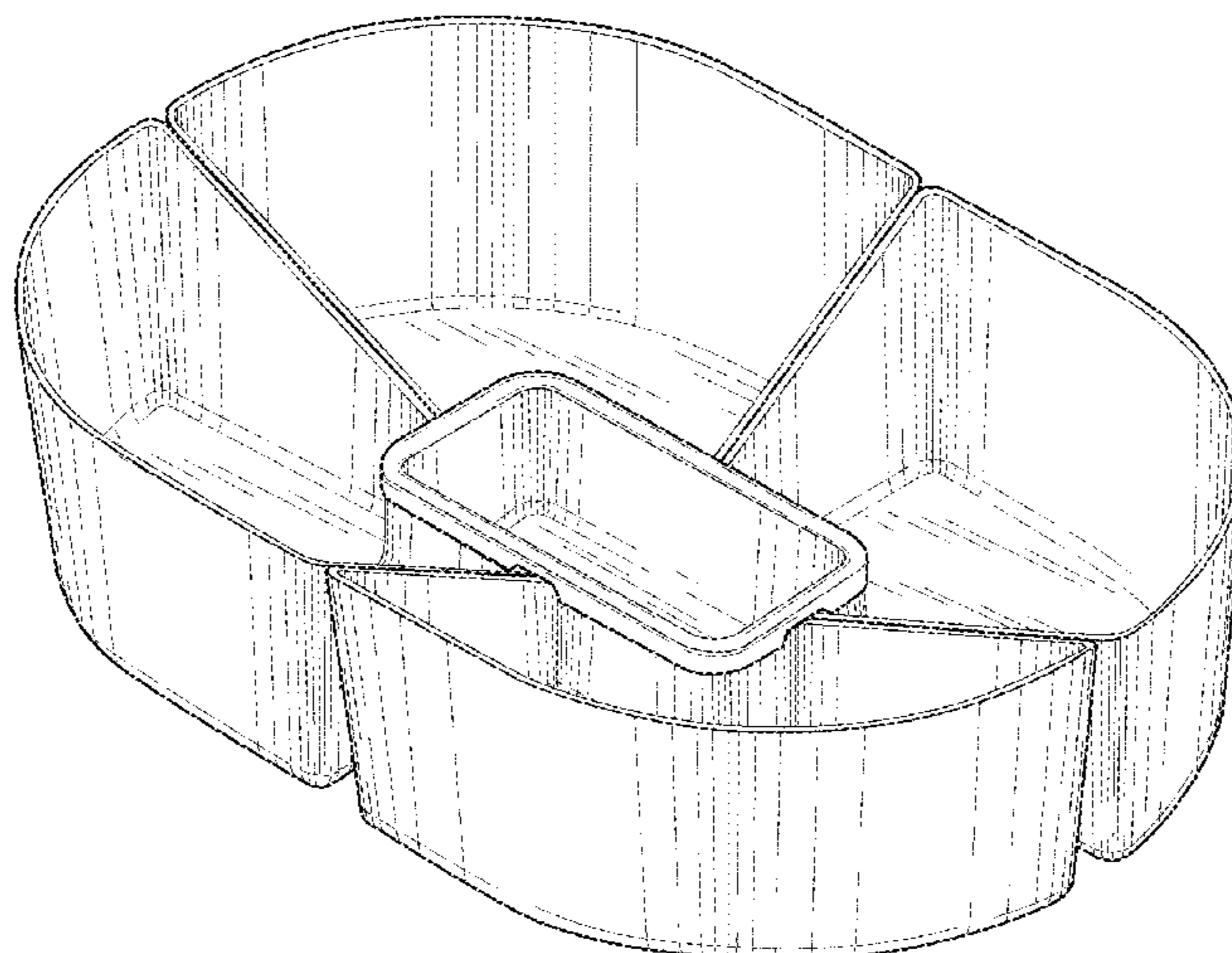
DESCRIPTION

FIG. 1 is a top perspective view of a snack bowl, showing
our new design.
FIG. 2 is a bottom perspective view thereof.
FIG. 3 is a right side elevational view thereof.
FIG. 4 is a left side elevational view thereof.
FIG. 5 is a rear elevational view thereof.
FIG. 6 is a front elevational view thereof.
FIG. 7 is a top plan view thereof.
FIG. 8 is a bottom plan view thereof; and,
FIG. 9 is a top perspective exploded view thereof.

(56) **References Cited**
U.S. PATENT DOCUMENTS

D55,218 S * 5/1920 Torgeson 220/23.8
D123,472 S * 11/1940 Caldwell D7/388

1 Claim, 9 Drawing Sheets



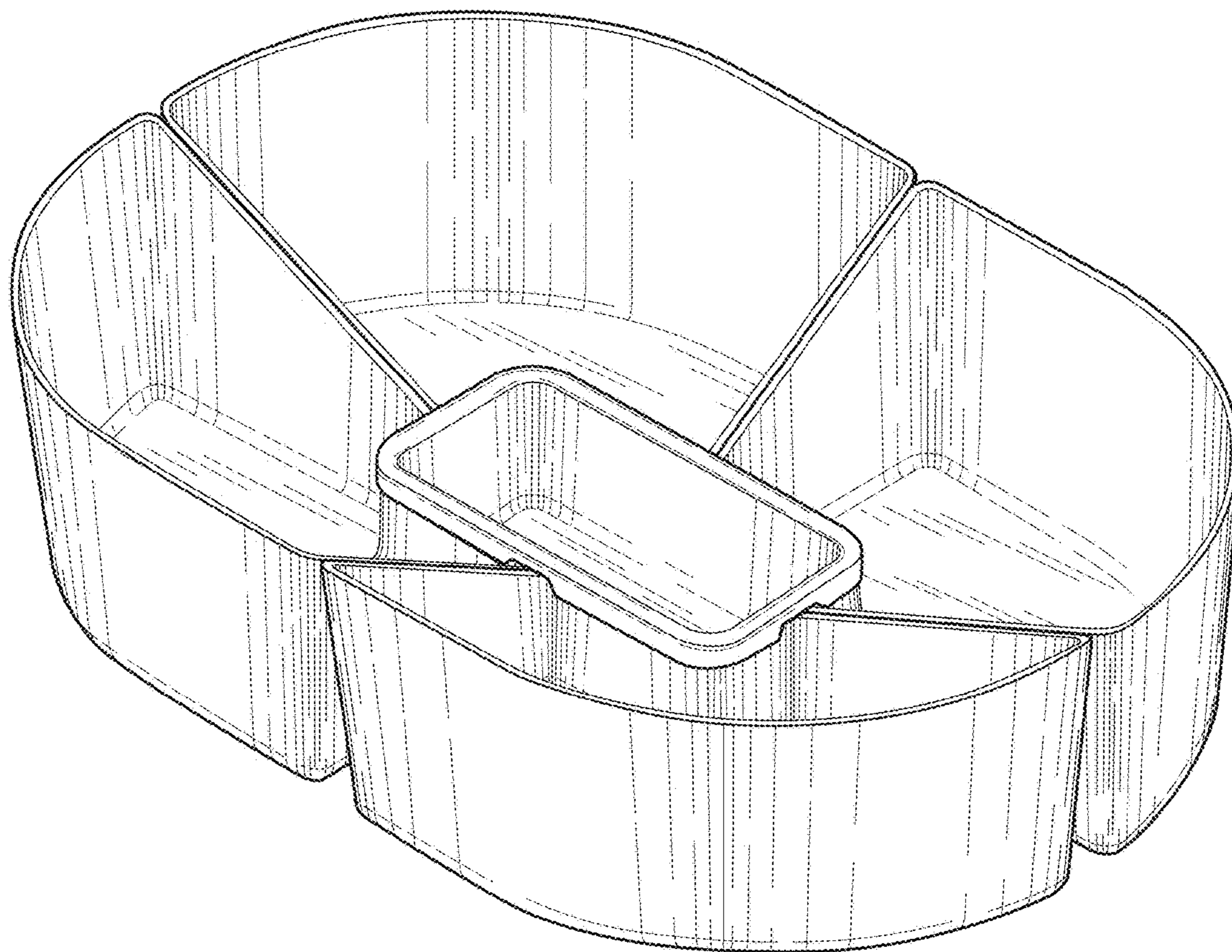


Fig. 1

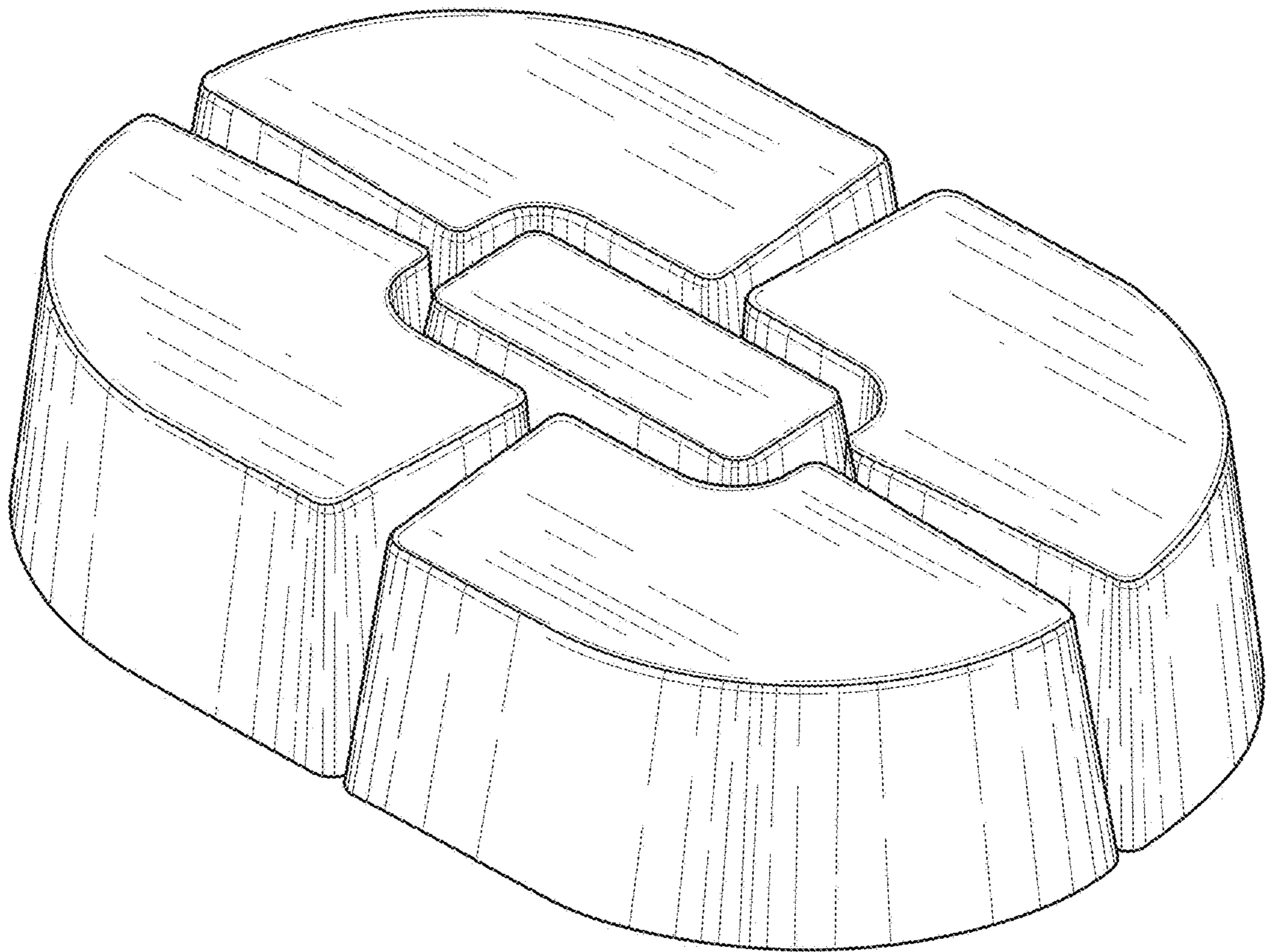


Fig.2

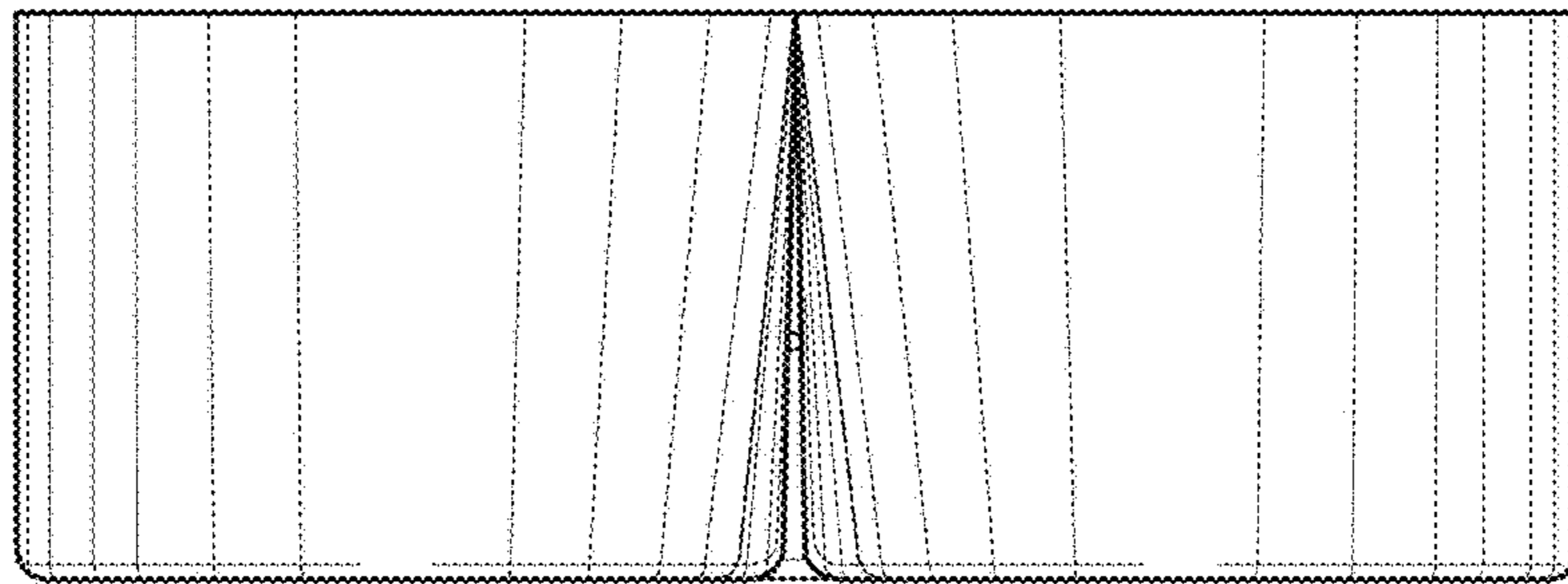


Fig.3

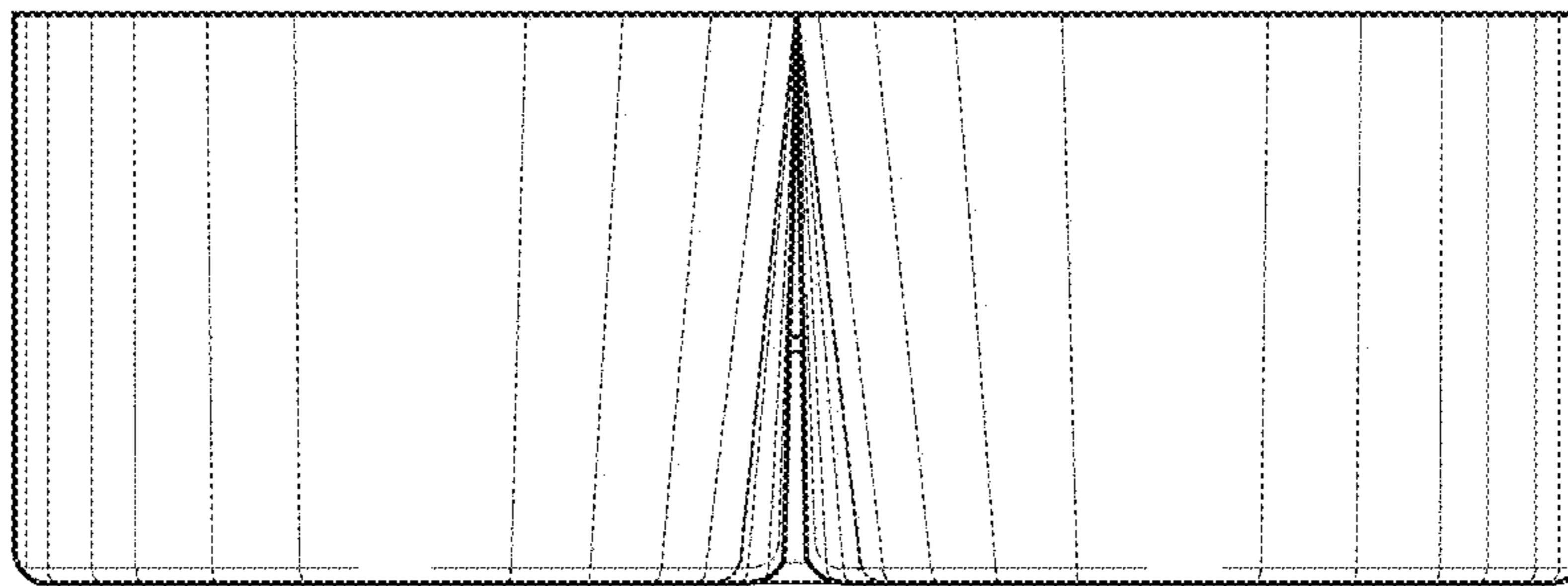


Fig.4

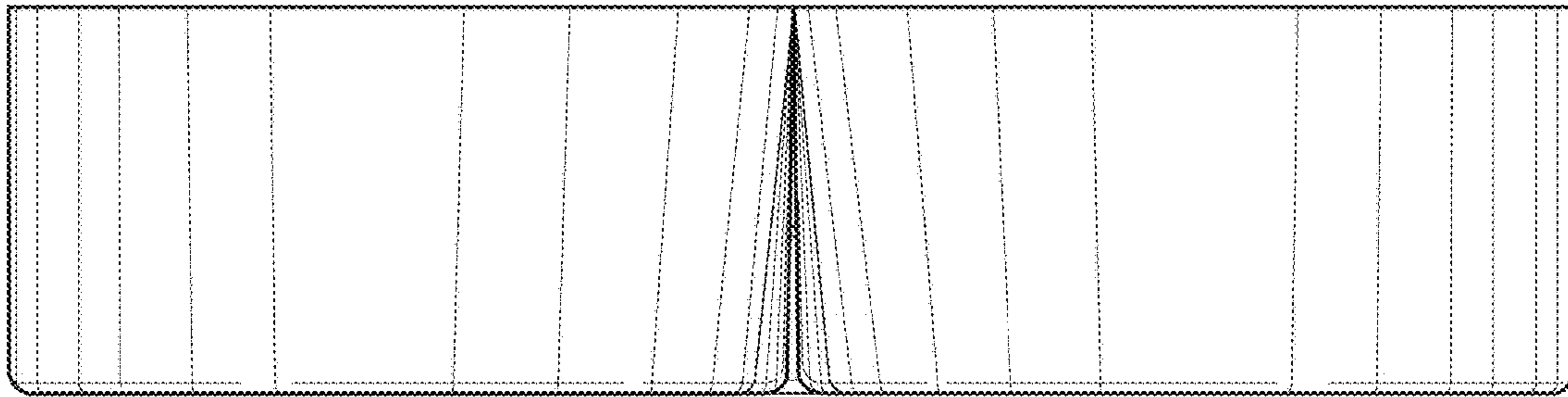


Fig.5

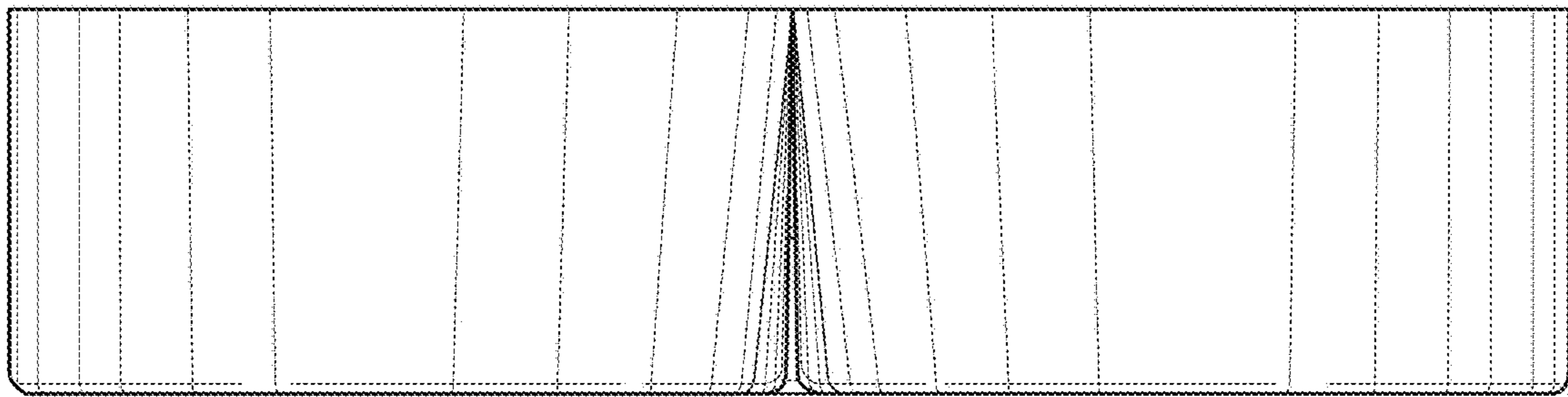


Fig.6

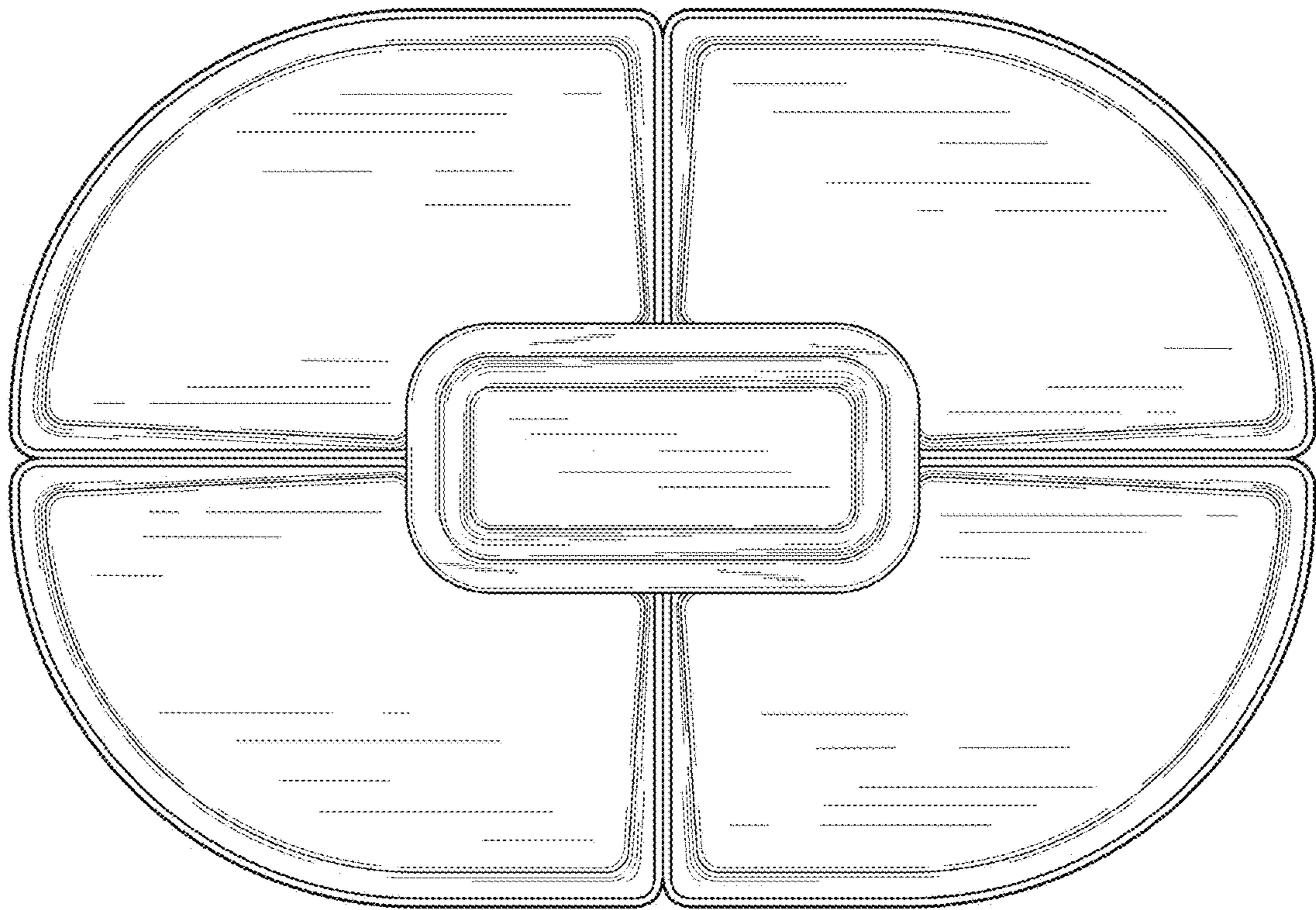


Fig. 7

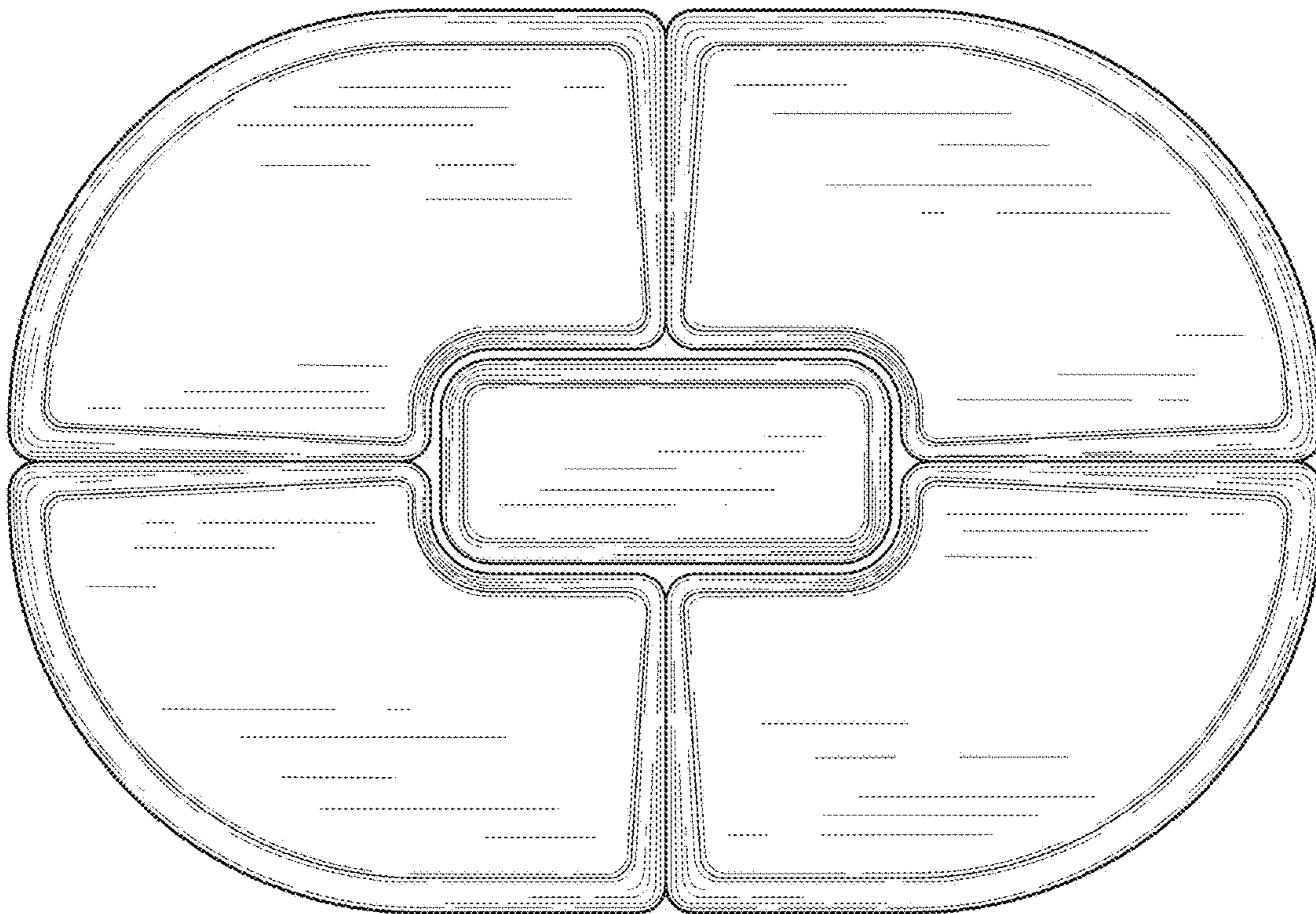


Fig. 8

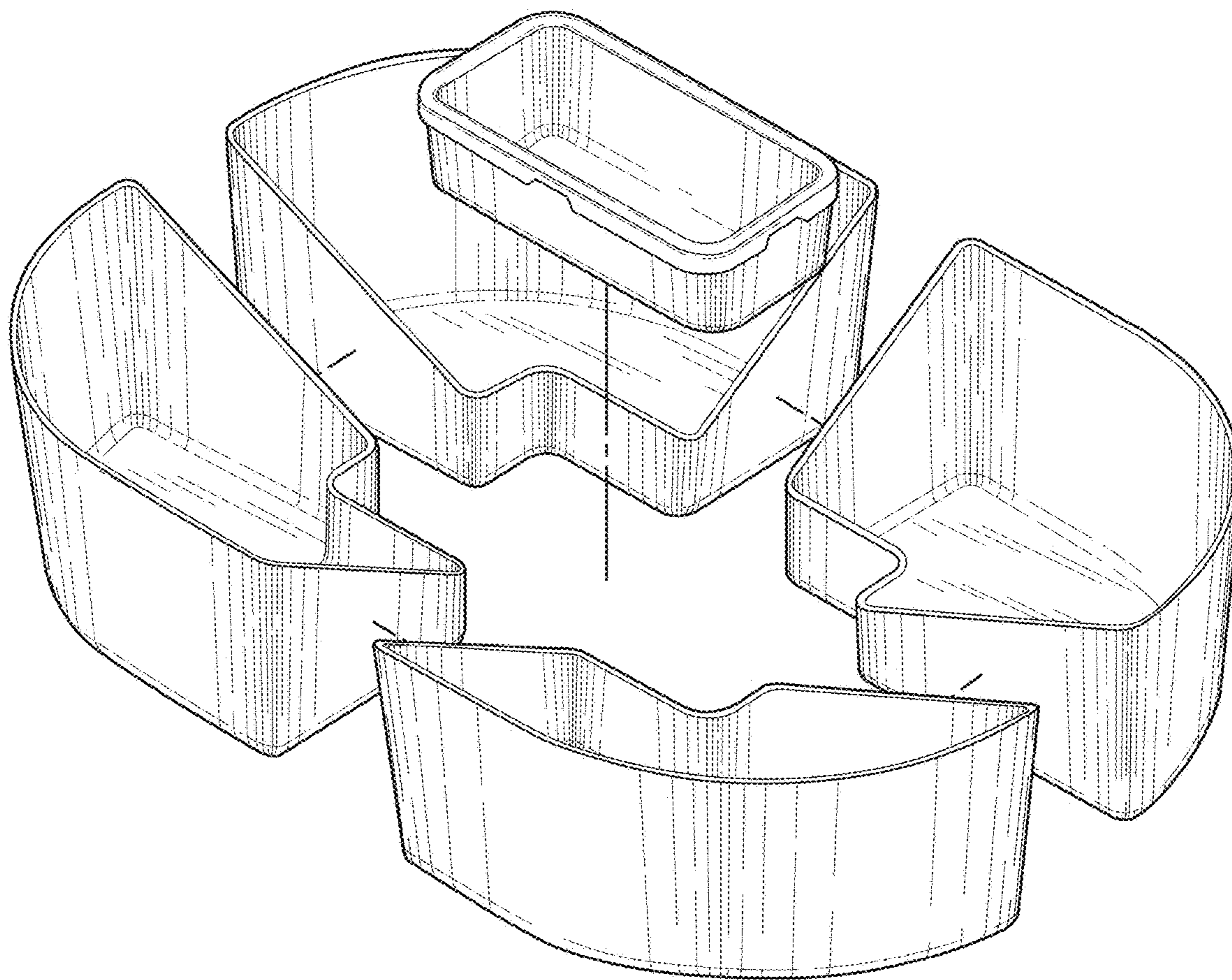


Fig.9