

US00D840757S

(12) **United States Design Patent** (10) **Patent No.:** **US D840,757 S**  
**Peterson** (45) **Date of Patent:** **\*\* Feb. 19, 2019**

(54) **TRIANGULAR BOWL**  
(71) Applicant: **Kelly Peterson**, South Pittsburg, TN (US)  
(72) Inventor: **Kelly Peterson**, South Pittsburg, TN (US)  
(73) Assignee: **Lodge Manufacturing Company**, South Pittsburg, TN (US)

D564,138 S \* 3/2008 Dunn ..... D30/129  
D613,127 S \* 4/2010 Olivari ..... D7/543  
D625,956 S \* 10/2010 Goddard-Clark ..... D7/543  
D656,792 S \* 4/2012 Sink ..... D7/318  
D680,813 S \* 4/2013 De Leo ..... D7/543  
D686,455 S \* 7/2013 Gold ..... D7/543  
D749,908 S \* 2/2016 Cai ..... D7/543  
D763,625 S \* 8/2016 Wright ..... D7/545  
D813,609 S \* 3/2018 Chauhan ..... D7/543  
D823,063 S \* 7/2018 Guo ..... D7/552.1  
2005/0127073 A1\* 6/2005 Kusuma ..... B65D 21/086  
220/6  
2017/0081078 A1\* 3/2017 Maple ..... A47G 19/02

(\*\*) Term: **15 Years**

\* cited by examiner

(21) Appl. No.: **29/638,199**

*Primary Examiner* — Cynthia R Underwood

(22) Filed: **Feb. 26, 2018**

(74) *Attorney, Agent, or Firm* — Miller & Martin PLLC; Stephen J. Stark

(51) **LOC (11) Cl.** ..... **07-01**

(52) **U.S. Cl.**  
USPC ..... **D7/543**

(57) **CLAIM**

(58) **Field of Classification Search**  
USPC ..... D7/500, 543, 360, 361, 545  
CPC ..... A47G 19/02; A47G 19/03; B65D 1/34;  
B65D 1/38

The ornamental design for triangular bowl, as shown and described.

See application file for complete search history.

**DESCRIPTION**

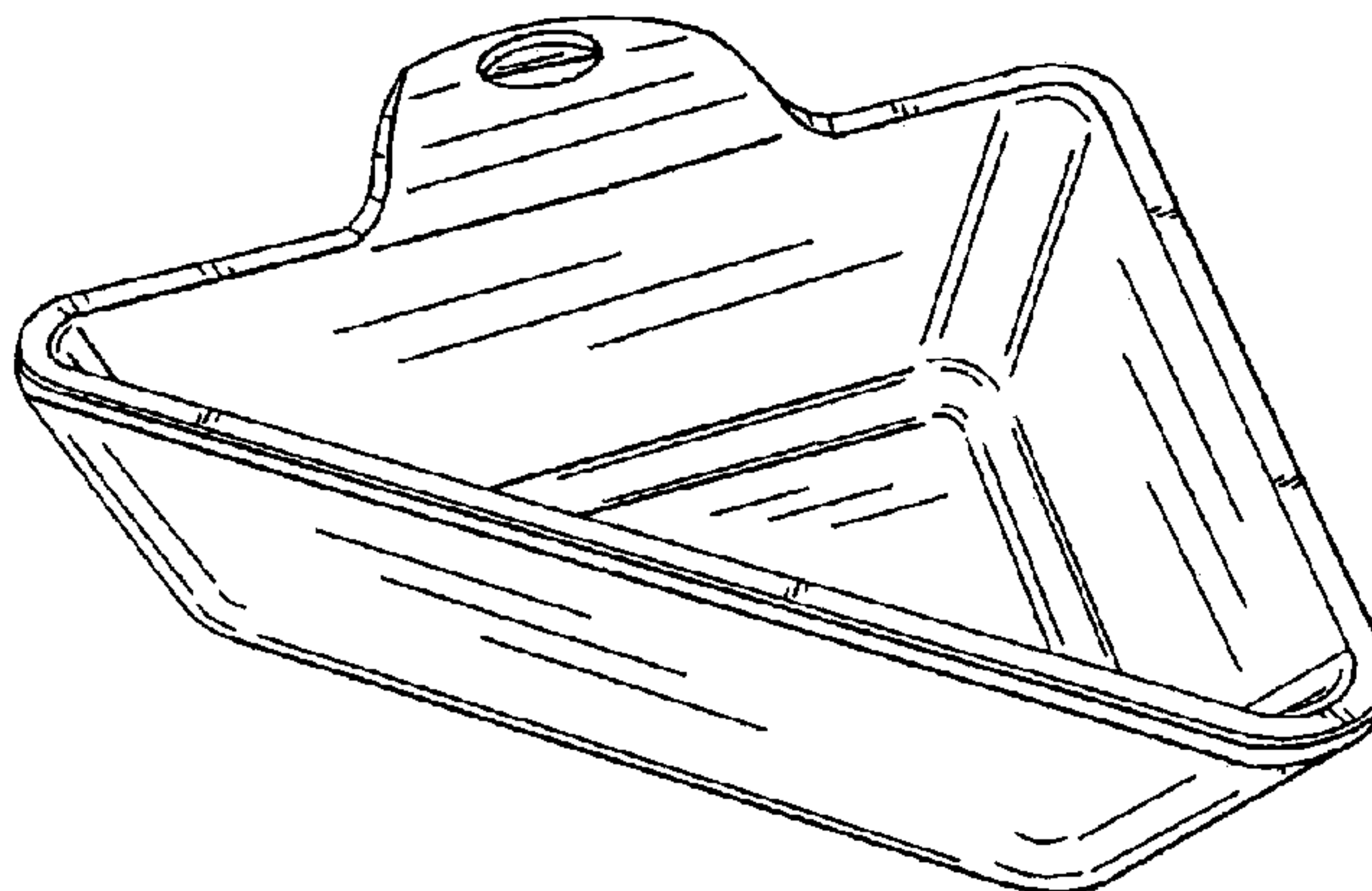
(56) **References Cited**

U.S. PATENT DOCUMENTS

D235,497 S \* 6/1975 Cyren ..... D7/360  
D250,565 S \* 12/1978 Stowell ..... D7/543  
D314,119 S \* 1/1991 Kauffman ..... D7/505  
D385,462 S \* 10/1997 Ferris ..... D7/543  
D452,417 S \* 12/2001 Whitmore ..... D7/543

FIG. 1 is a perspective view of a triangular bowl;  
FIG. 2 is a front elevational view thereof;  
FIG. 3 is a rear elevational view thereof;  
FIG. 4 is a right side elevational view thereof; the left side elevational view thereof being a mirror image thereof;  
FIG. 5 is a top elevational view thereof; and,  
FIG. 6 is a bottom elevational view thereof.

**1 Claim, 3 Drawing Sheets**



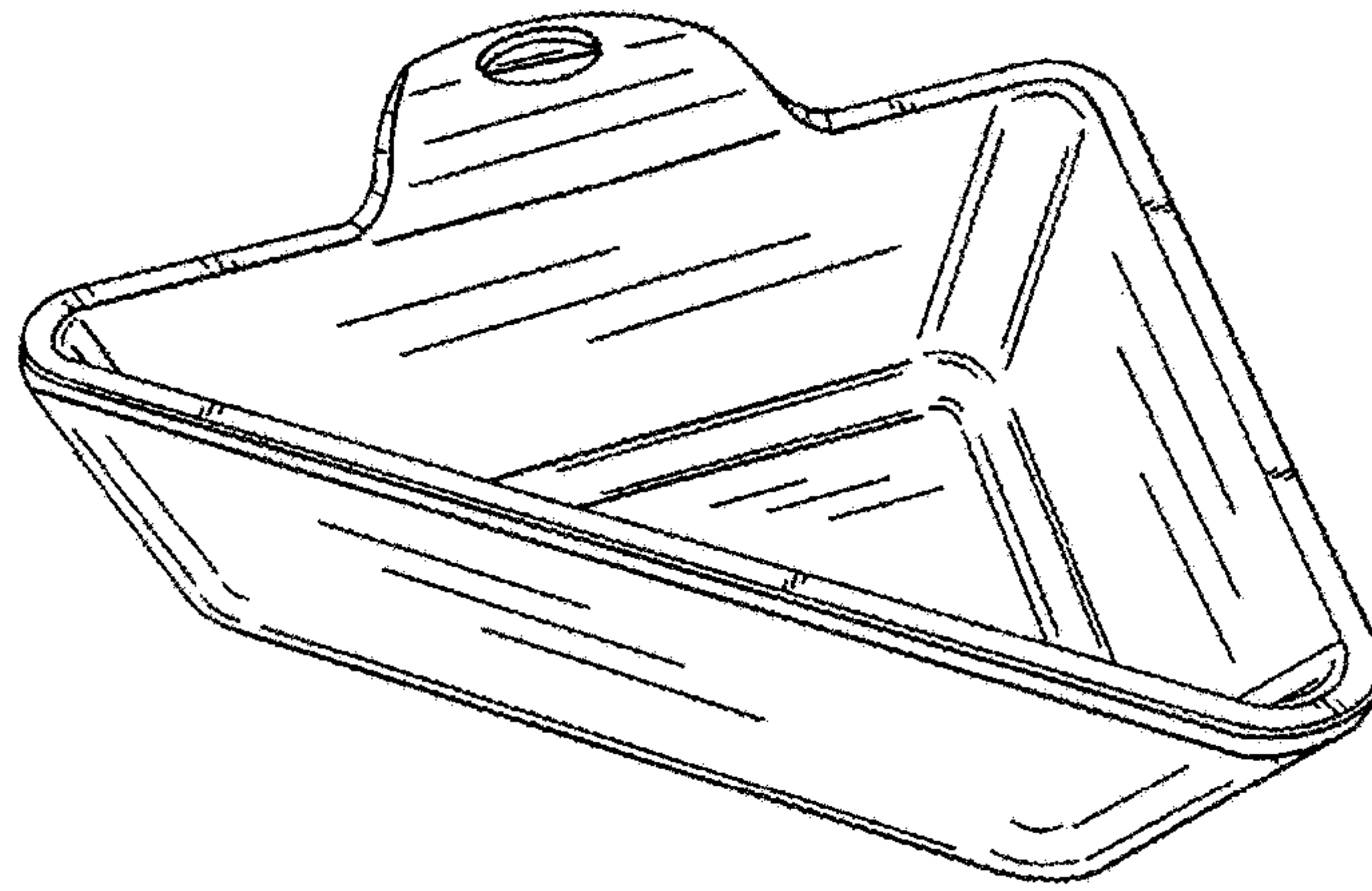


FIG.1

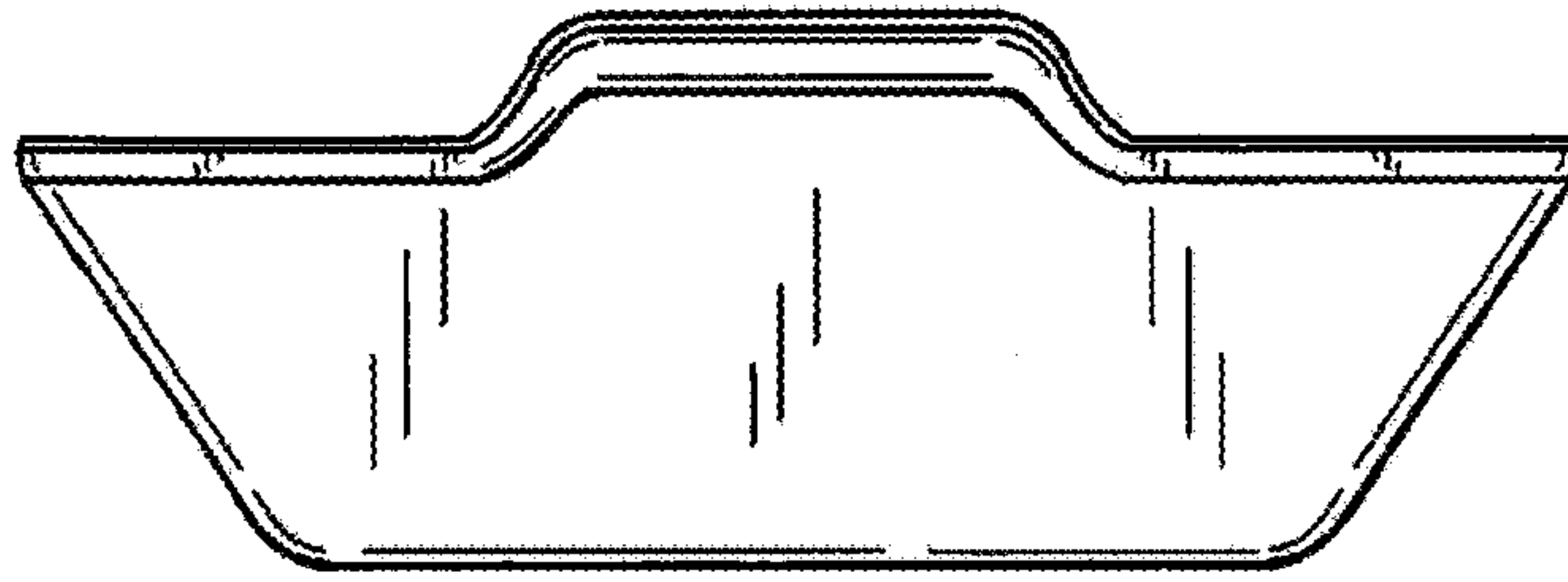


FIG. 2

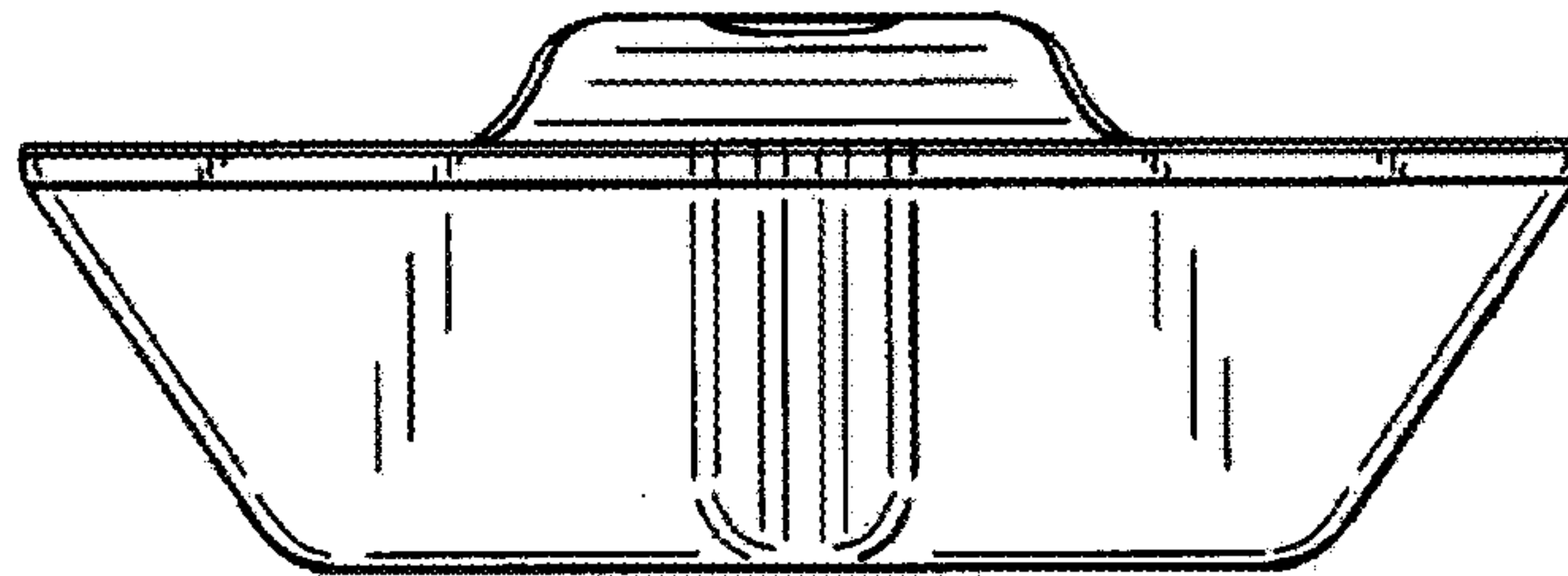


FIG. 3

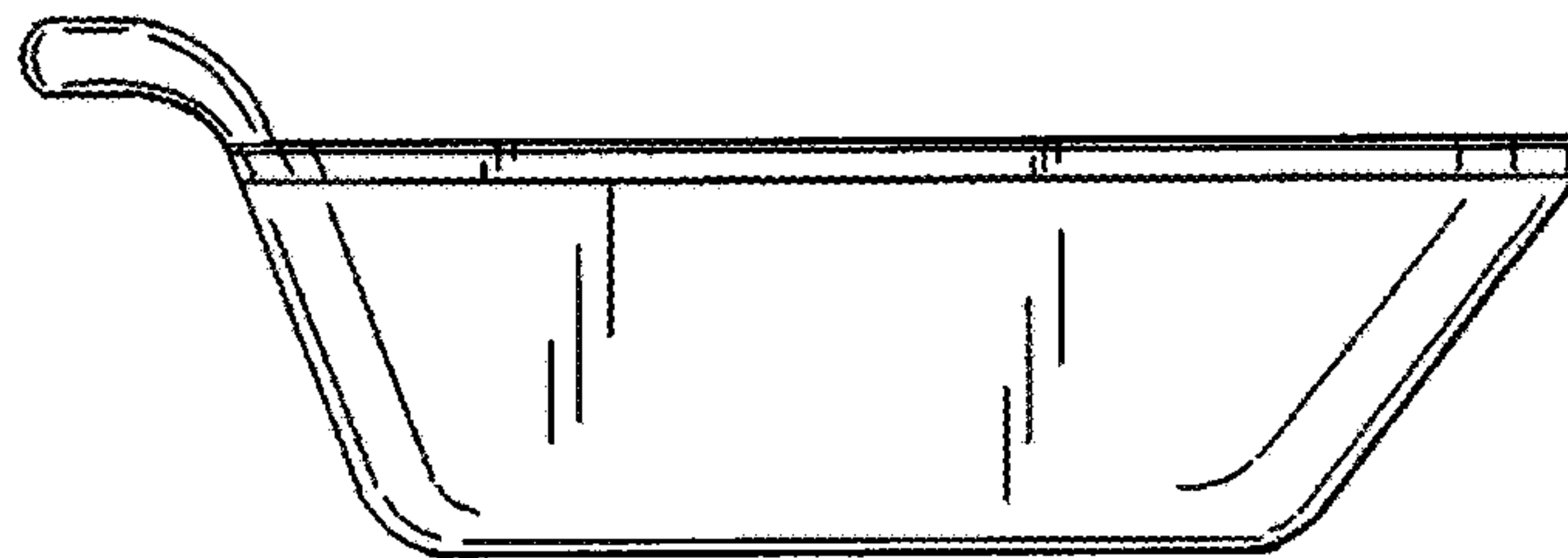


FIG. 4

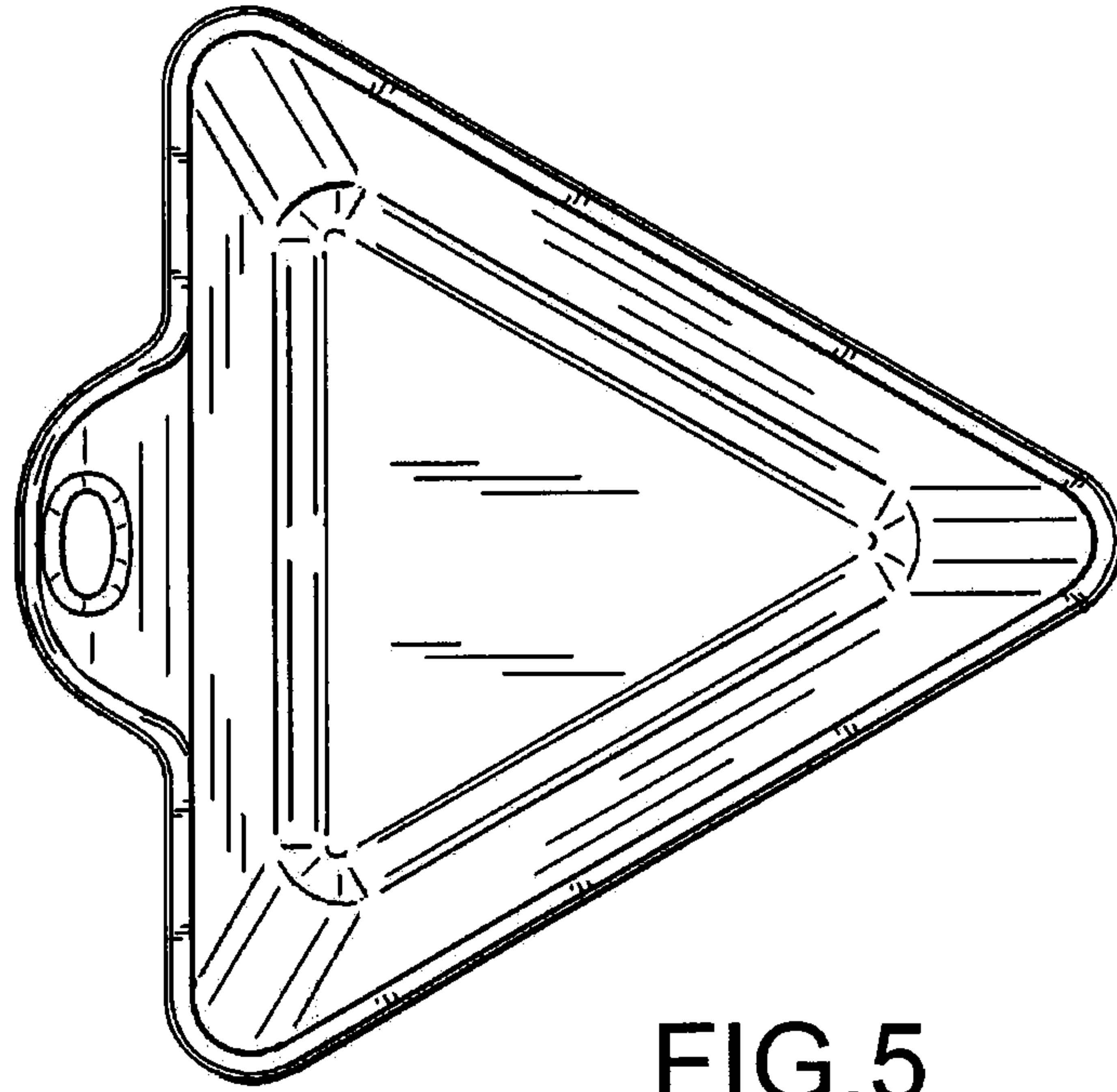


FIG. 5

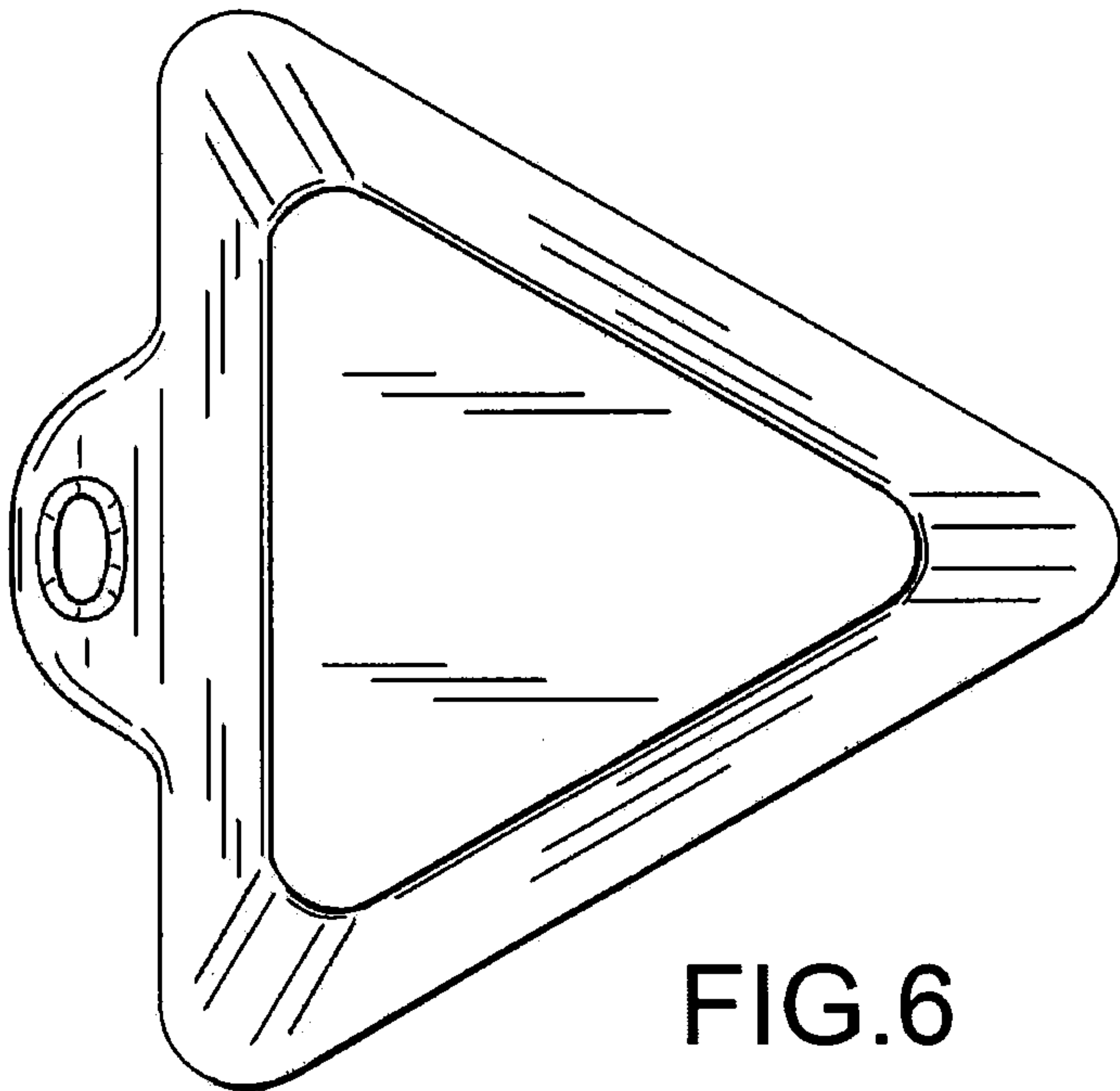


FIG. 6