



US00D840755S

(12) **United States Design Patent**  
**Kehoe**

(10) **Patent No.:** **US D840,755 S**

(45) **Date of Patent:** **\*\* Feb. 19, 2019**

(54) **GLASS**

(71) Applicant: **PRODUCT SPECIALTIES INC.,**  
Whitby (CA)

(72) Inventor: **Paul Martin Kehoe,** Whitby (CA)

(73) Assignee: **PRODUCT SPECIALTIES INC.,**  
Whitby (CA)

(\*\*) Term: **15 Years**

(21) Appl. No.: **29/615,423**

(22) Filed: **Aug. 29, 2017**

(51) **LOC (11) Cl.** ..... **07-01**

(52) **U.S. Cl.**

USPC ..... **D7/523; D7/532; D7/598; D11/146**

(58) **Field of Classification Search**

USPC ..... D7/507, 509, 510, 511, 523, 570, 529,  
D7/524, 537, 526, 528, 532, 393, 213,  
D7/514, 515, 513, 530, 396.6, 503, 325,  
D7/601, 700, 584, 543, 300.2, 598, 316,  
D7/310, 318; 220/592.16, 592.17;  
D10/118; D8/40; D9/501; D11/143,  
D11/144, 153, 146, 154

CPC ..... A47G 19/2205; A47G 19/2227; A47G  
19/22; A45F 3/20; A45F 3/16; B65D  
47/066

See application file for complete search history.

(56) **References Cited**

**U.S. PATENT DOCUMENTS**

- 2,414,901 A \* 1/1947 Schlumbohm ..... A47J 45/08  
215/396
- D167,667 S \* 9/1952 Babany ..... 220/504
- 3,028,035 A \* 4/1962 Leong ..... A47G 19/2227  
215/377
- D199,994 S \* 1/1965 Knodt ..... 222/196.1

- D224,034 S \* 6/1972 Douglas ..... D7/318
- D236,408 S \* 8/1975 Achenbach ..... D7/300
- 4,029,109 A \* 6/1977 Kahler ..... A24F 1/30  
131/173
- 4,103,457 A \* 8/1978 Carlisle ..... A01G 5/06  
47/40.5
- D314,308 S \* 2/1991 Cogswell ..... D10/2
- 5,090,213 A \* 2/1992 Glassman ..... A47G 19/2288  
62/457.2
- D358,115 S \* 5/1995 Rahr ..... D11/143
- D405,316 S \* 2/1999 Spike ..... D7/507
- D448,619 S \* 10/2001 Pau ..... D7/503
- D482,571 S \* 11/2003 Leinenweber ..... D7/509
- 6,732,635 B2 \* 5/2004 Jensen ..... A47J 31/14  
210/469
- D519,322 S \* 4/2006 Hutton ..... D11/143
- D536,205 S \* 2/2007 Jensen ..... D7/300
- D560,436 S \* 1/2008 Mangano ..... D7/500
- D597,791 S \* 8/2009 Lion ..... D7/509
- D612,659 S \* 3/2010 Kehoe ..... D7/316
- D614,917 S \* 5/2010 Calco ..... D7/509
- D615,363 S \* 5/2010 Lion ..... D7/503
- D637,445 S \* 5/2011 Chung ..... D7/312

(Continued)

*Primary Examiner* — Marianne N Pandozzi

*Assistant Examiner* — Jae Liang

(57) **CLAIM**

The ornamental design for a glass, as shown and described.

**DESCRIPTION**

FIG. 1 is a front top perspective view of a glass showing my new design;

FIG. 2 is a front bottom perspective view thereof;

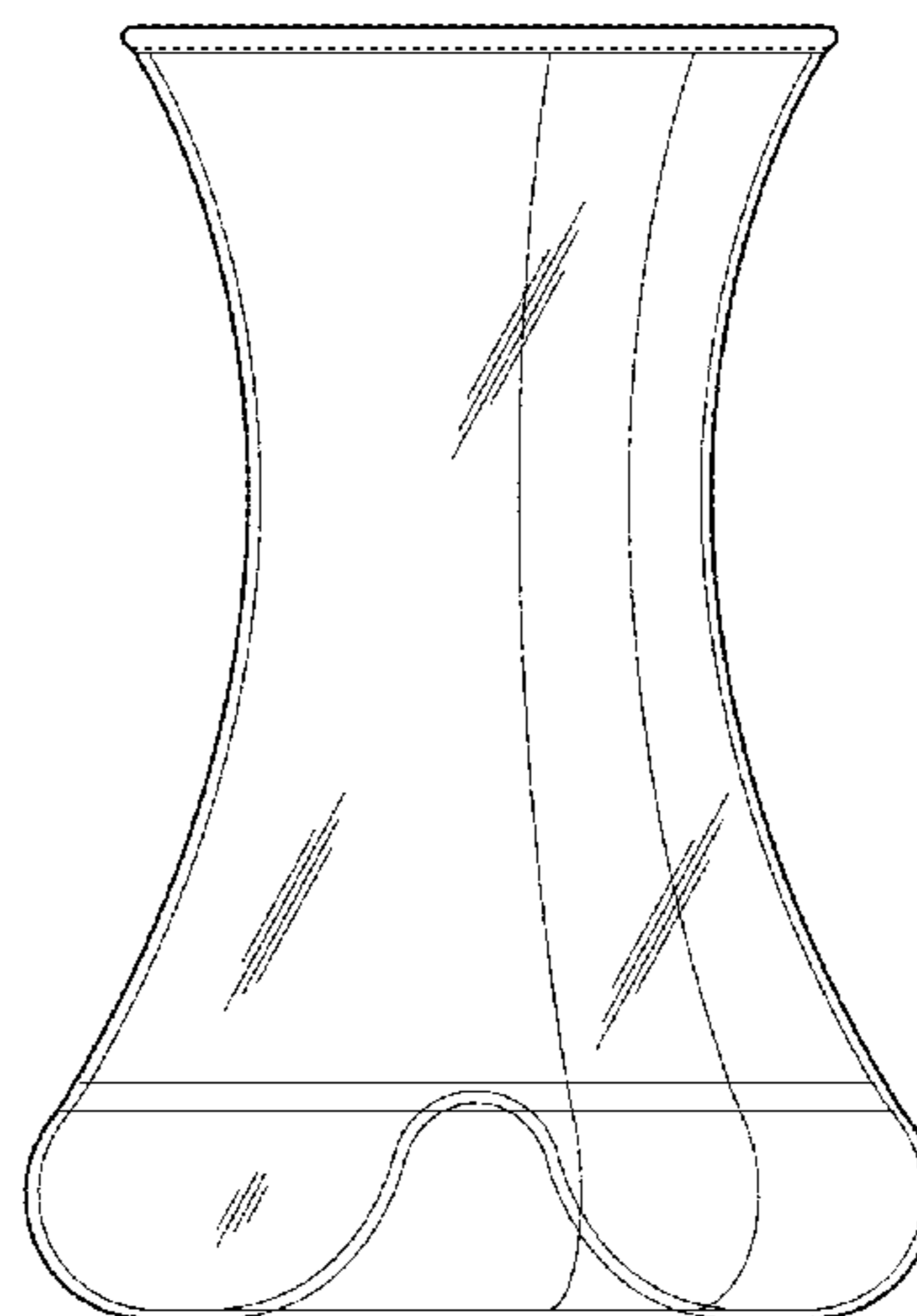
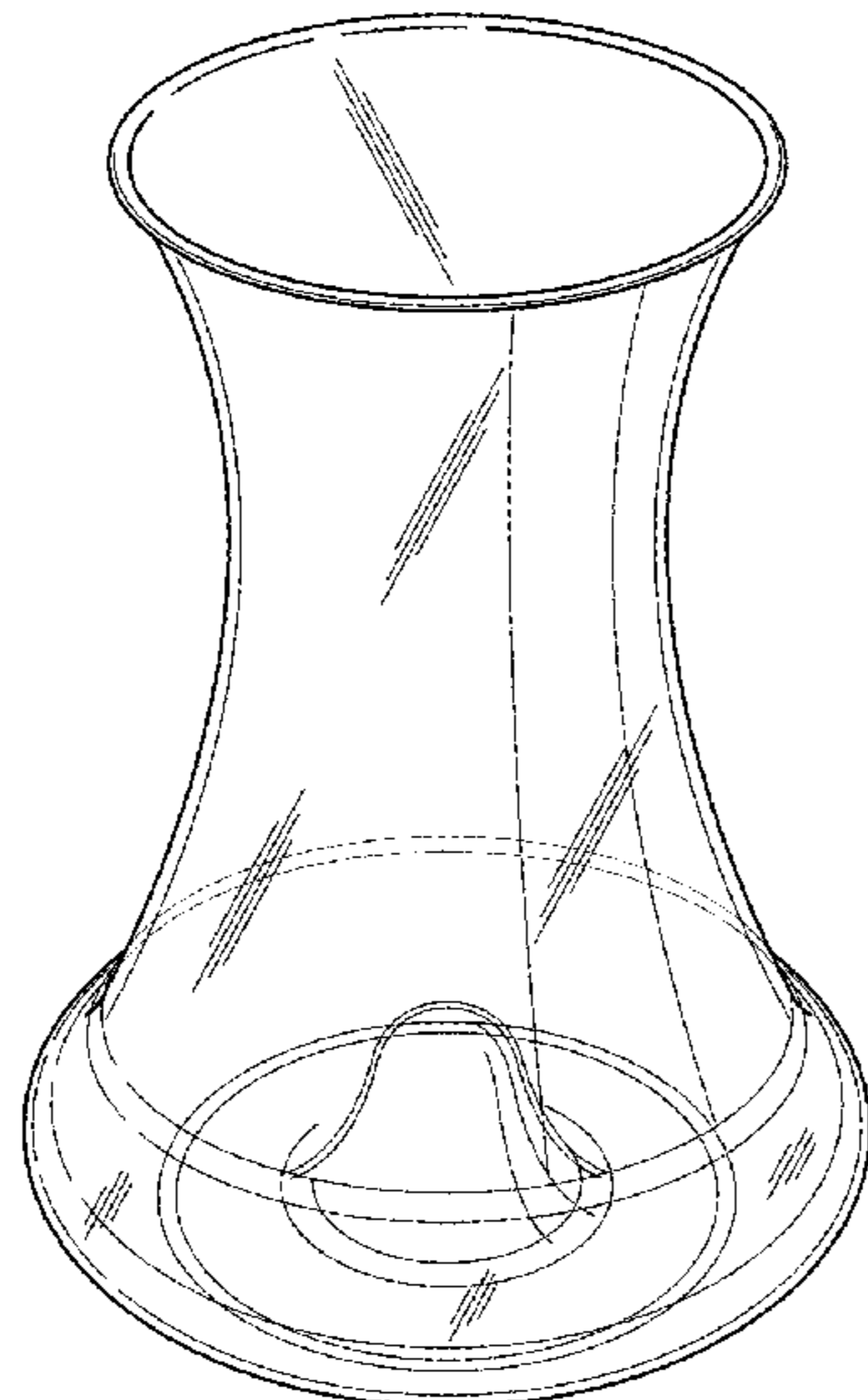
FIG. 3 is a side elevational view of the design with the other side view being the same;

FIG. 4 is a top elevational view of our design; and,

FIG. 5 is a bottom plan view thereof.

The broken line portions in the drawings are for illustrative purposes and do not form part of the claimed design.

**1 Claim, 2 Drawing Sheets**



(56)

**References Cited**

U.S. PATENT DOCUMENTS

D643,317 S *	8/2011	Clear	.....	D10/46.3
D672,084 S *	12/2012	Ducey	.....	D27/137
D673,723 S *	1/2013	Cartwright	.....	D26/142
D673,725 S *	1/2013	Cartwright	.....	D26/142
D673,726 S *	1/2013	Cartwright	.....	D26/142
D686,454 S *	7/2013	Roth	.....	D7/509
D701,729 S *	4/2014	Kehoe	.....	D7/509
D717,116 S *	11/2014	Aslan	.....	D24/197
D745,739 S *	12/2015	Abadi	.....	D27/162
D766,655 S *	9/2016	Neace, Jr.	.....	D7/397
D786,605 S *	5/2017	Bodum	.....	D7/316
D787,253 S *	5/2017	Bodum	.....	D7/310
D793,147 S *	8/2017	Bodum	.....	D7/316

\* cited by examiner

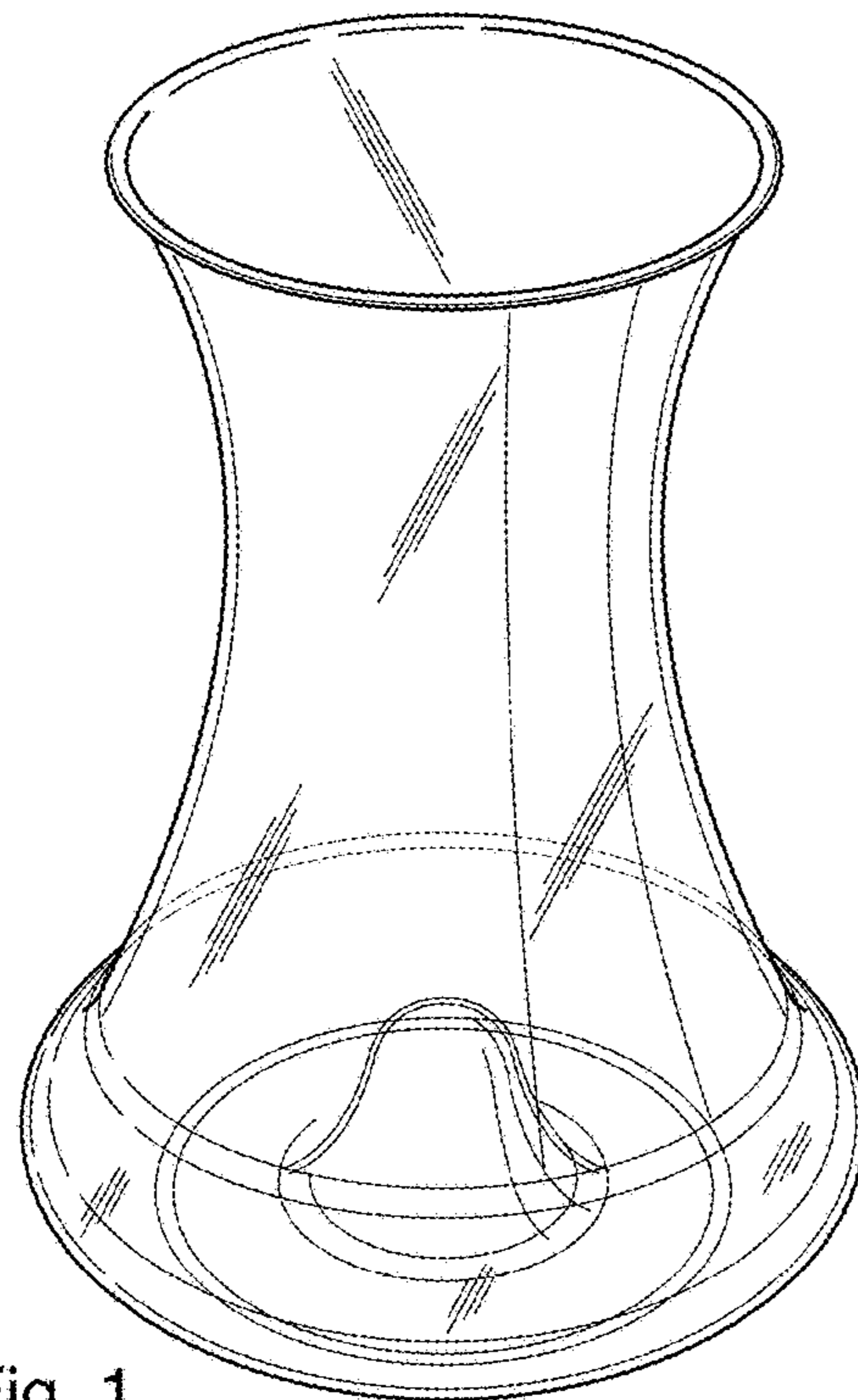


Fig. 1

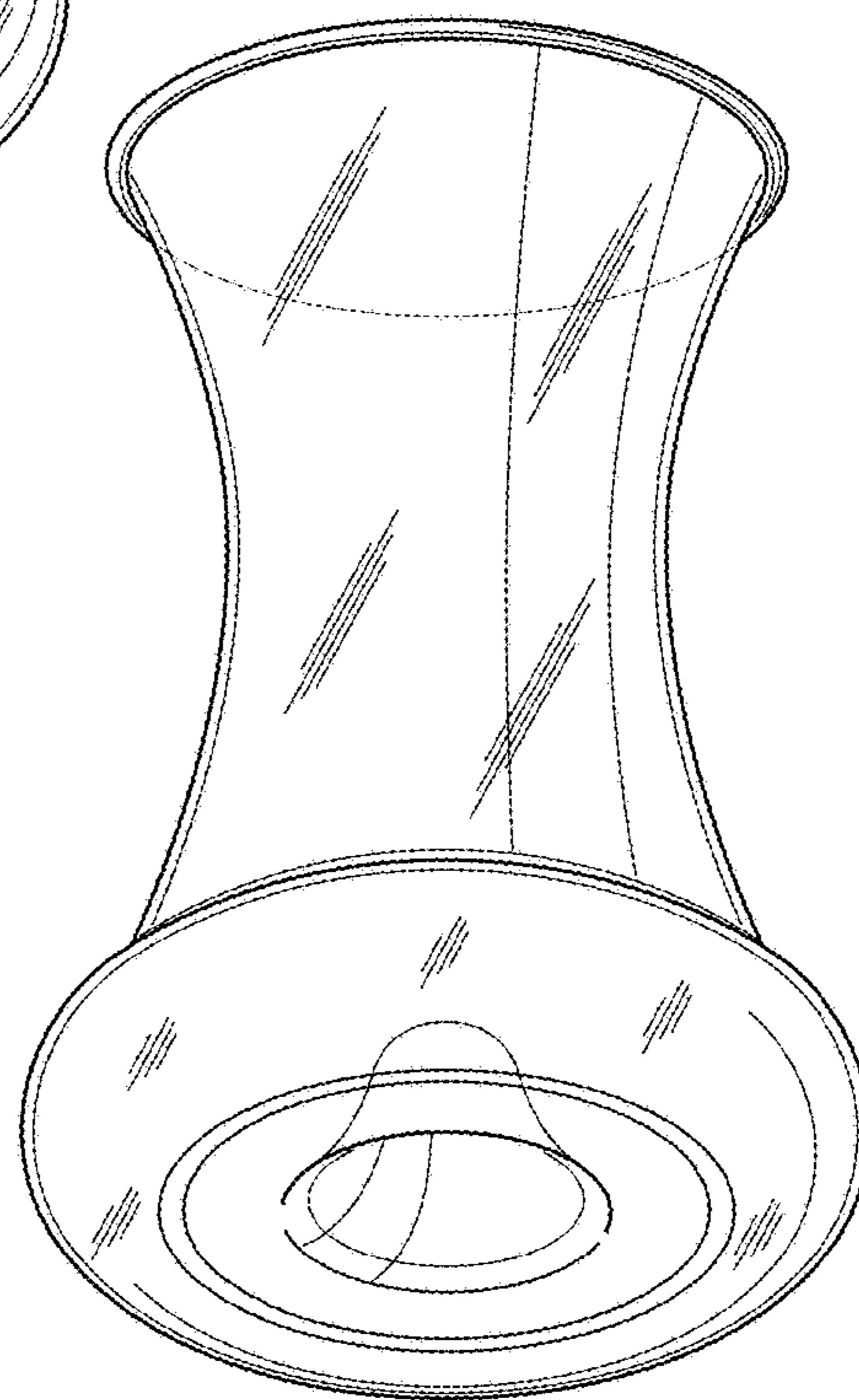


Fig. 2

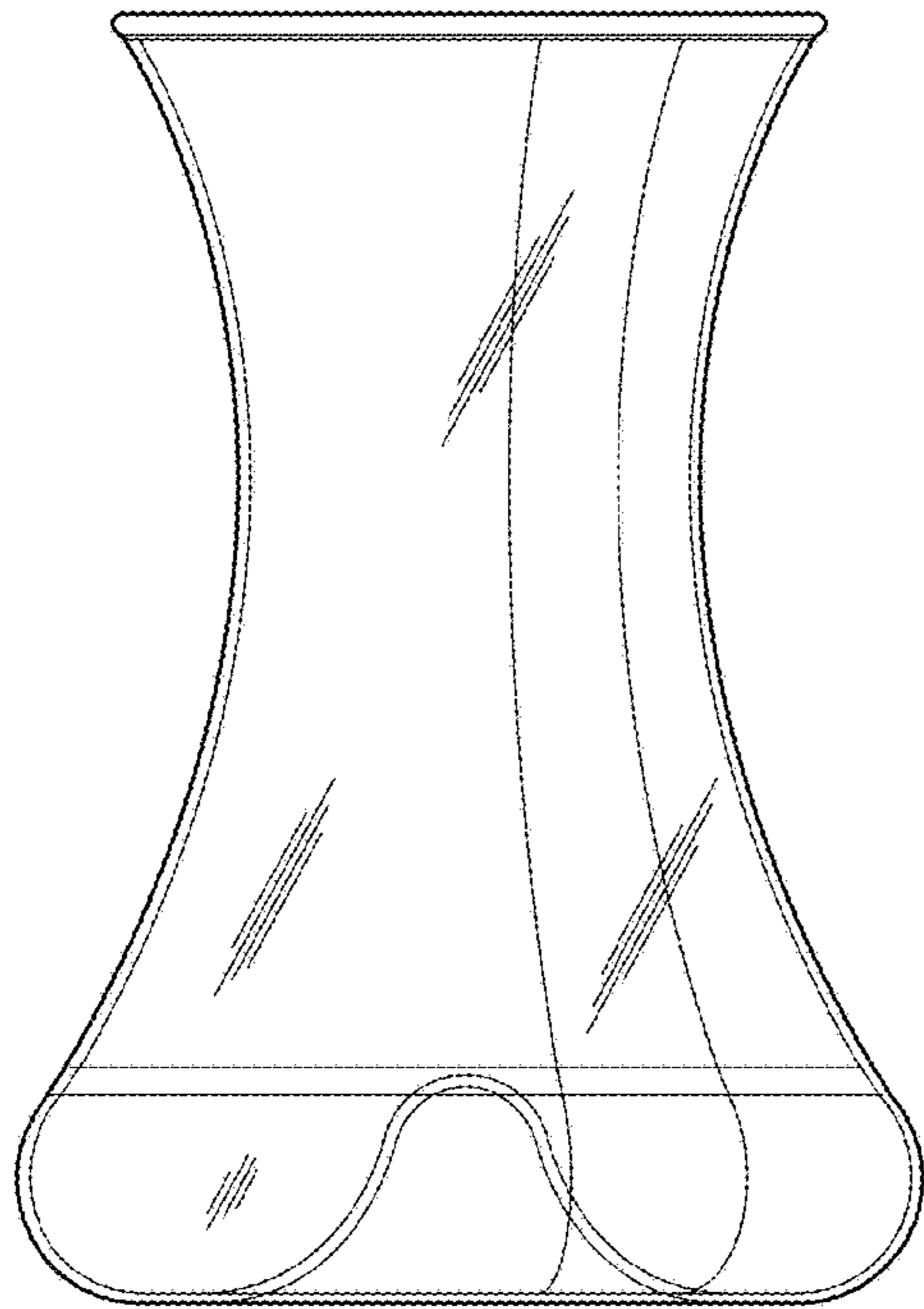


Fig. 3

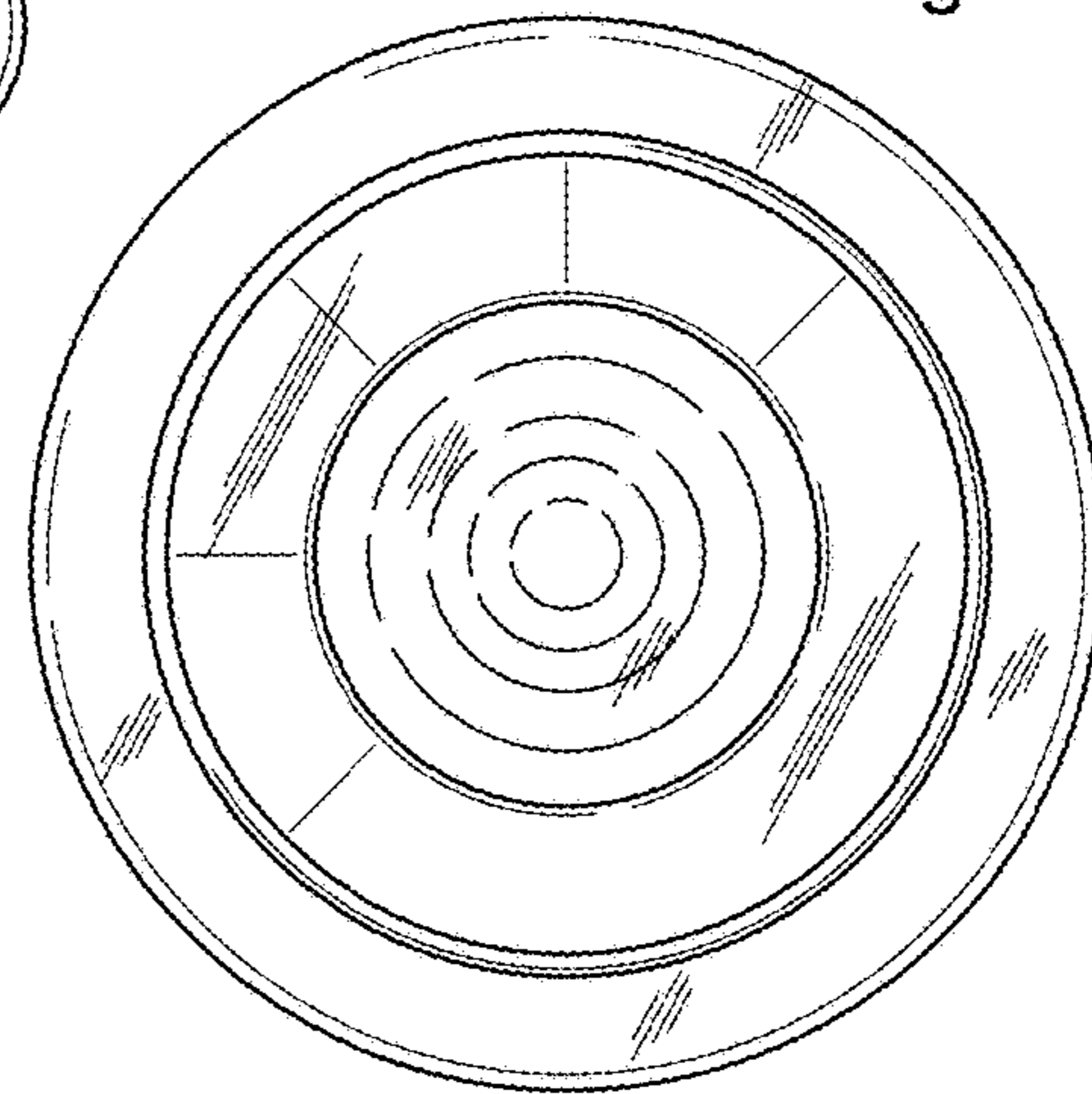


Fig. 4

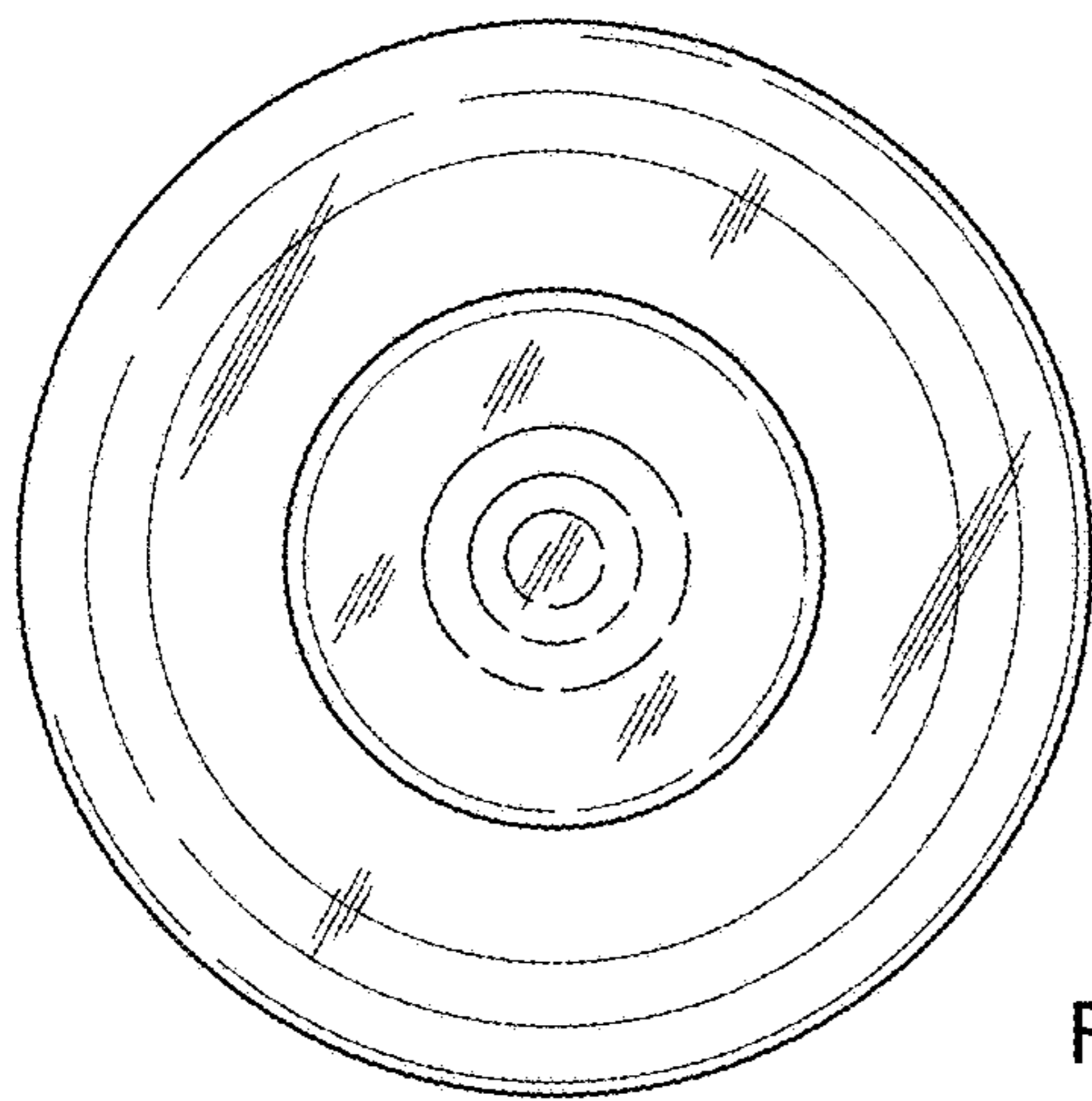


Fig. 5