



US00D840754S

(12) **United States Design Patent** (10) **Patent No.:** **US D840,754 S**
Lv (45) **Date of Patent:** **** Feb. 19, 2019**

(54) **TABLEWARE SET**

(71) Applicant: **Shaoxing Morocomo Baby Products Co., Ltd**, Shengzhou (CN)

(72) Inventor: **Wenda Lv**, Shengzhou (CN)

(73) Assignee: **Shaoxing Morocomo Baby Products Co., Ltd**, Shengzhou (CN)

(**) Term: **15 Years**

(21) Appl. No.: **29/629,356**

(22) Filed: **Dec. 13, 2017**

(51) **LOC (11) Cl.** **07-01**

(52) **U.S. Cl.**

USPC **D7/505**; D7/515; D7/656

(58) **Field of Classification Search**

USPC D7/505, 507, 509, 510, 511, 514, 515,
D7/523, 533, 534, 535, 536, 392.1, 396.3,

(Continued)

(56) **References Cited**

U.S. PATENT DOCUMENTS

D131,404 S * 2/1942 Dreitzer D7/556
D227,230 S * 6/1973 Stamper 30/314

(Continued)

Primary Examiner — Marianne N Pandozzi

Assistant Examiner — Jae Liang

(74) *Attorney, Agent, or Firm* — Gokalp Bayramoglu

(57) **CLAIM**

The ornamental design for a tableware set, as shown and described.

DESCRIPTION

FIG. 1 is a perspective view of a tableware set showing my new design;

FIG. 2 is a front view of the training cup portion of the tableware set;

FIG. 3 is a rear view thereof;

FIG. 4 is a left side view thereof;

FIG. 5 is a right side view thereof;

FIG. 6 is a top view thereof;

FIG. 7 is a bottom view thereof;

FIG. 8 is a side perspective view thereof;

FIG. 9 is a top perspective view thereof;

FIG. 10 is a bottom perspective view thereof;

FIG. 11 is a front view of the plate portion of the tableware set;

FIG. 12 is a rear view thereof;

FIG. 13 is a right side view thereof;

FIG. 14 is a left side view thereof;

FIG. 15 is a bottom view thereof;

FIG. 16 is a top view thereof;

FIG. 17 is a top perspective view thereof;

FIG. 18 is a side perspective view thereof;

FIG. 19 is another side perspective view thereof;

FIG. 20 is a front view of the bowl portion of the tableware set;

FIG. 21 is a rear view thereof;

FIG. 22 is a right side view thereof;

FIG. 23 is a left side thereof;

FIG. 24 is a top view thereof;

FIG. 25 is a bottom view thereof;

FIG. 26 is a side perspective view thereof;

FIG. 27 is a top perspective view thereof;

FIG. 28 is a bottom perspective view thereof;

FIG. 29 is a front view of the spoon portion of the tableware set;

FIG. 30 is a rear view thereof;

FIG. 31 is a right side view thereof;

FIG. 32 is a left side view thereof;

FIG. 33 is a bottom view thereof;

FIG. 34 is a top view thereof;

FIG. 35 is a perspective view thereof;

FIG. 36 is a bottom perspective view thereof;

FIG. 37 is a top perspective view thereof;

FIG. 38 is a front view of the fork portion of the tableware set of FIG. 1;

FIG. 39 is a rear view thereof;

FIG. 40 is a right side view thereof;

FIG. 41 is a left side view thereof;

FIG. 42 is a bottom view thereof;

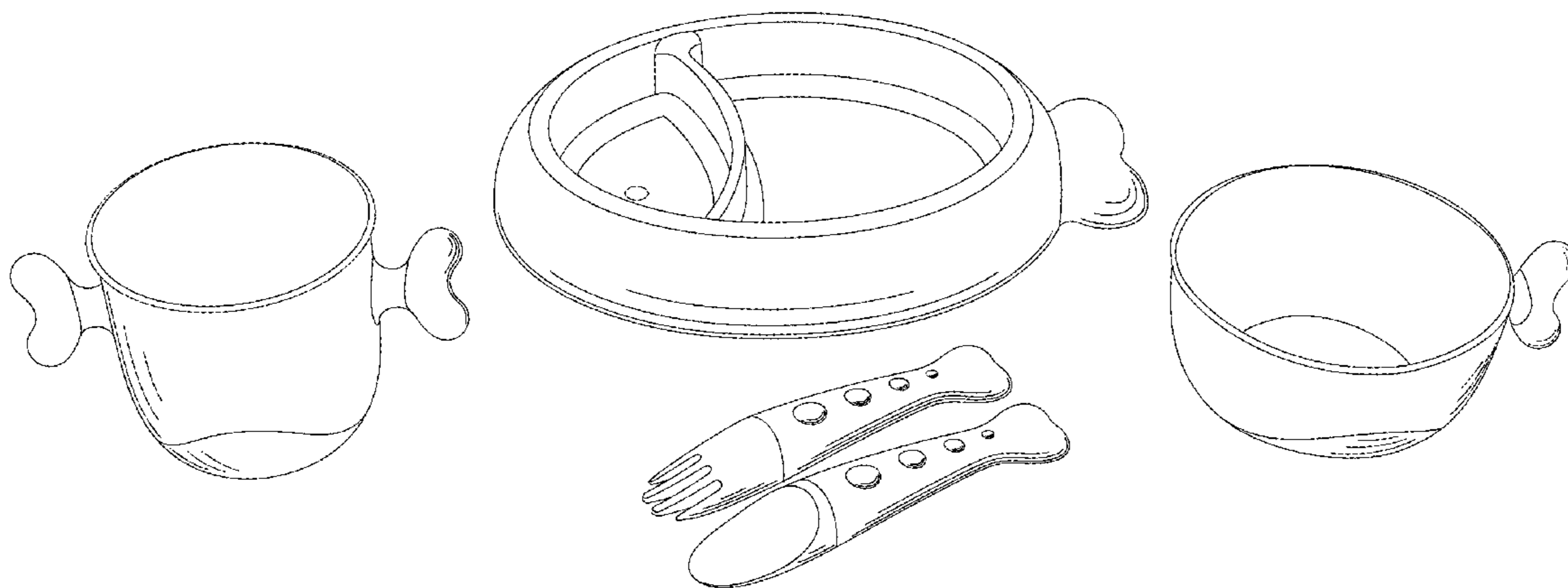
FIG. 43 is a top view thereof;

FIG. 44 is a perspective view thereof;

FIG. 45 is a bottom perspective view thereof; and,

FIG. 46 is a top perspective view thereof.

1 Claim, 46 Drawing Sheets



(58) **Field of Classification Search**

USPC D7/400, 564, 577, 571, 569, 556, 656,
 D7/654, 642, 607, 603, 602, 624.1, 624.2,
 D7/680, 397, 398, 213, 403, 396.6, 633,
 D7/631, 632; 220/200, 592.16, 592.17,
 220/495.03; D9/434, 435; D24/197;
 D19/194; D28/4, 39, 10, 38, 76, 82, 85,
 D28/88; D11/143, 144, 391
 CPC A47G 19/2205; A47G 19/22; A47G
 19/2211; A47G 19/2216; B65D 1/265;
 B65D 3/06; A45F 3/20
 See application file for complete search history.

(56) **References Cited**

U.S. PATENT DOCUMENTS

D329,961 S * 10/1992 Sarnoff D21/599
 D338,993 S * 9/1993 Lilly D1/106
 D361,875 S * 8/1995 Keller D30/130
 D383,806 S * 9/1997 Yang 446/475
 D474,657 S * 5/2003 Guodace D7/656
 D474,945 S * 5/2003 Guodace D7/656
 D508,381 S * 8/2005 Tranfaglia D7/656
 D510,502 S * 10/2005 Tollman D7/505

D510,503 S * 10/2005 Tollman D7/505
 D547,595 S * 7/2007 Bowen D7/354
 D557,078 S * 12/2007 Morrison D7/642
 D573,843 S * 7/2008 Manzano D7/566
 D601,381 S * 10/2009 Stamper D7/505
 D614,922 S * 5/2010 Sierra D7/653
 D615,367 S * 5/2010 Sierra D7/653
 D623,361 S * 9/2010 Man D30/129
 D660,916 S * 5/2012 Chiu D21/340
 D671,278 S * 11/2012 Man D30/129
 D705,019 S * 5/2014 Hardy D7/401.2
 D717,504 S * 11/2014 Gailen D30/121
 D721,927 S * 2/2015 Wilson D7/401.2
 D745,327 S * 12/2015 Laurain D6/614
 D749,274 S * 2/2016 Gailen D30/121
 D755,565 S * 5/2016 Callahan D7/412
 D774,365 S * 12/2016 Shamoon D7/642
 D804,190 S * 12/2017 Kuhne D4/124
 D815,900 S * 4/2018 Guan D7/505
 D820,107 S * 6/2018 Krupa D9/606
 2003/0118858 A1 * 6/2003 Kushida A47G 21/00
 428/627
 2014/0123502 A1 * 5/2014 Benardeau A47G 21/02
 30/342
 2015/0305533 A1 * 10/2015 Yao A47G 21/04
 220/574.1

* cited by examiner

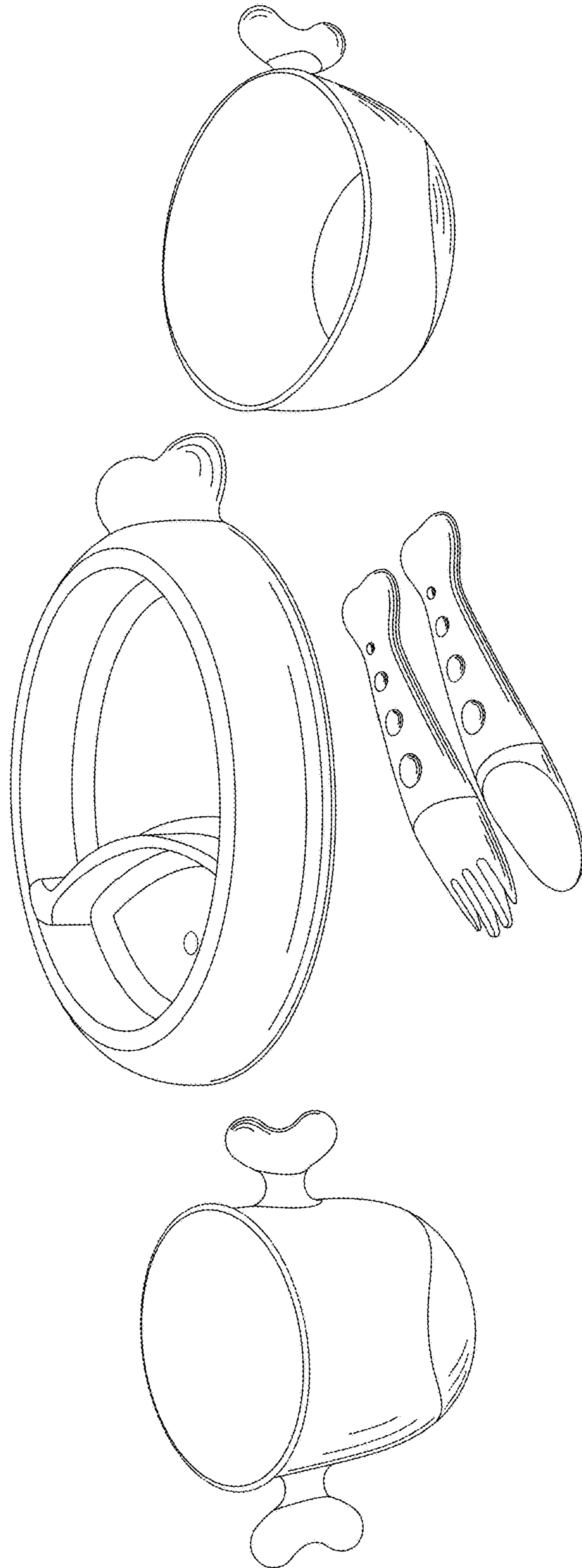


FIG.1

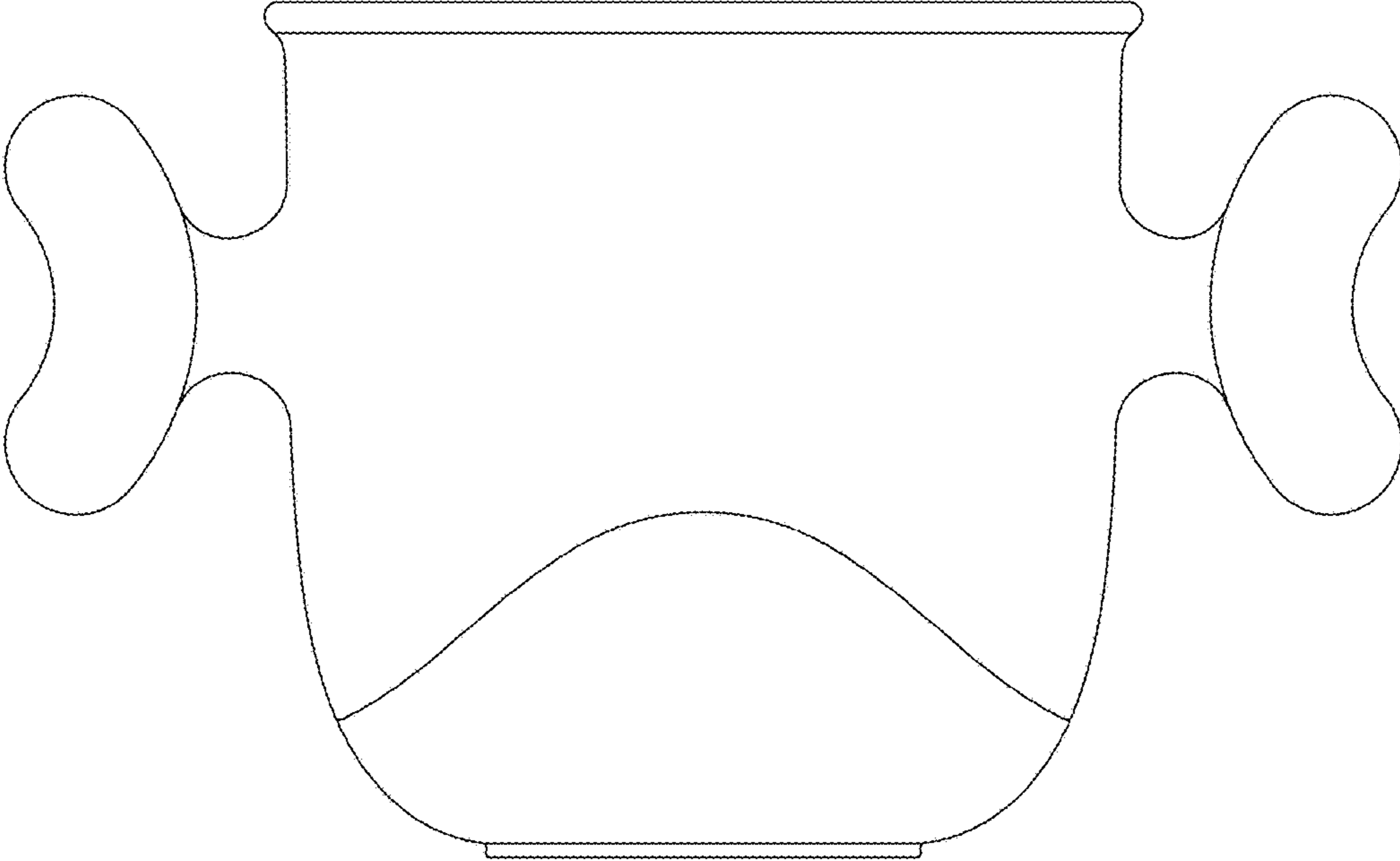


FIG.2

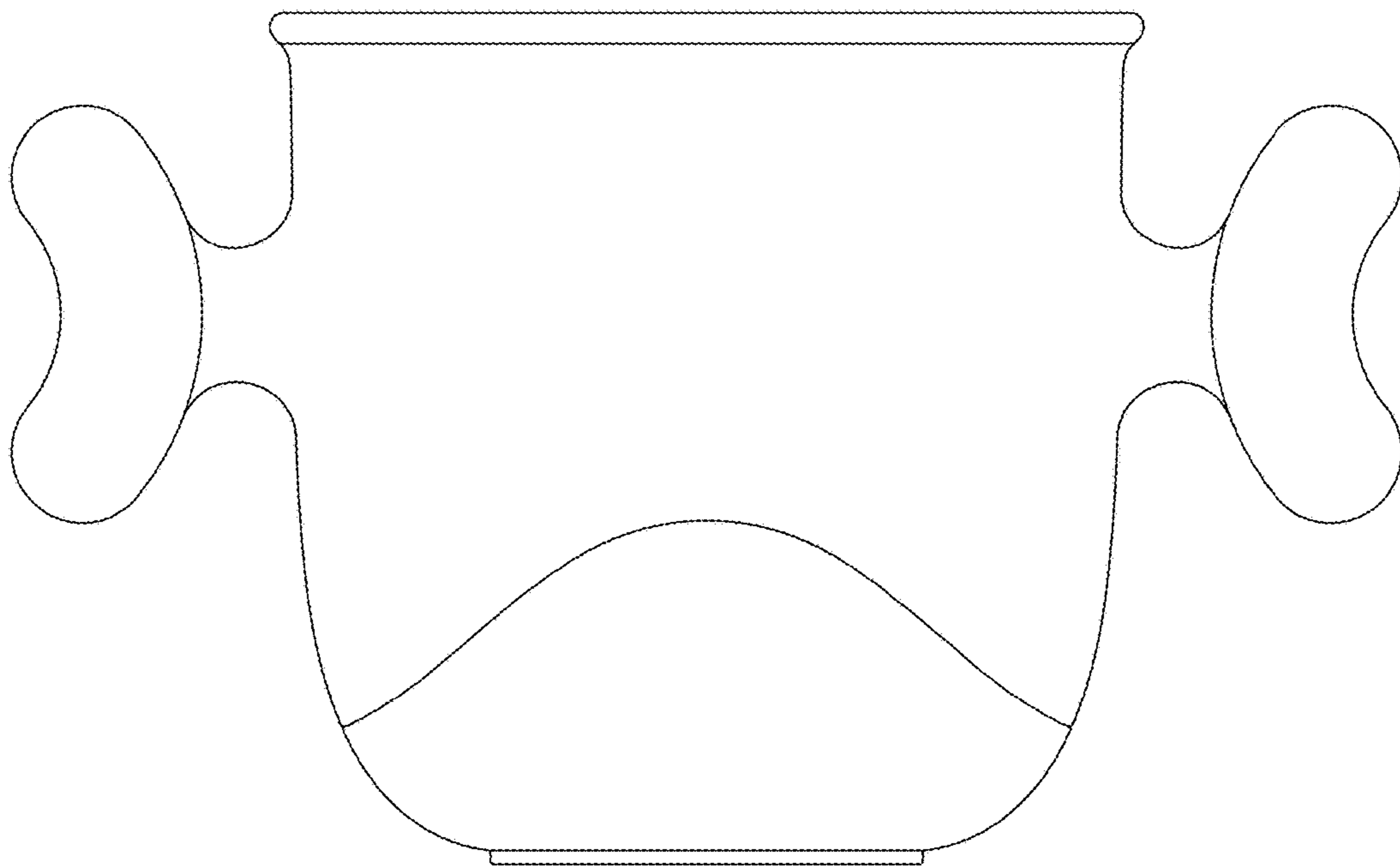


FIG.3

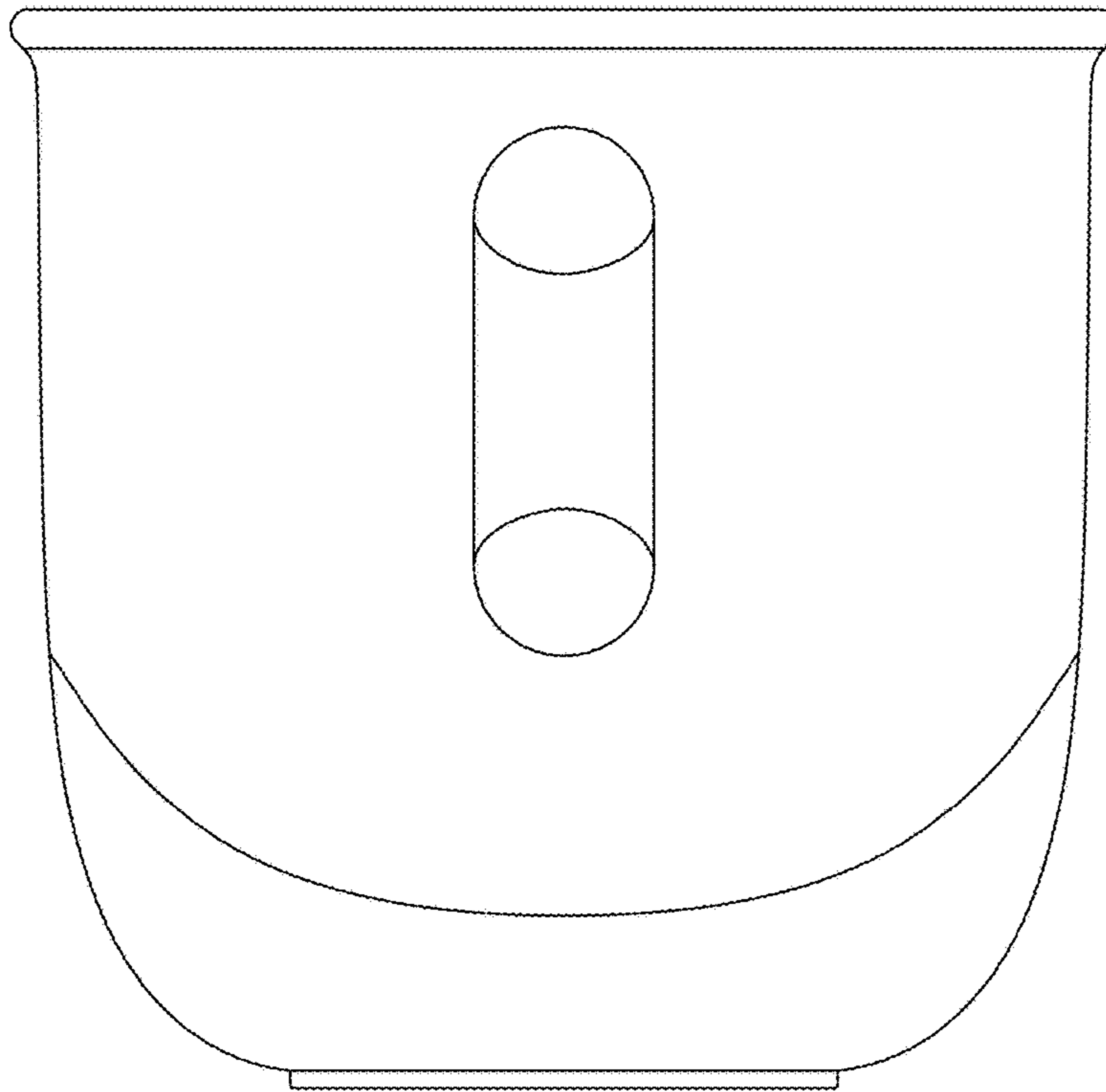


FIG.4

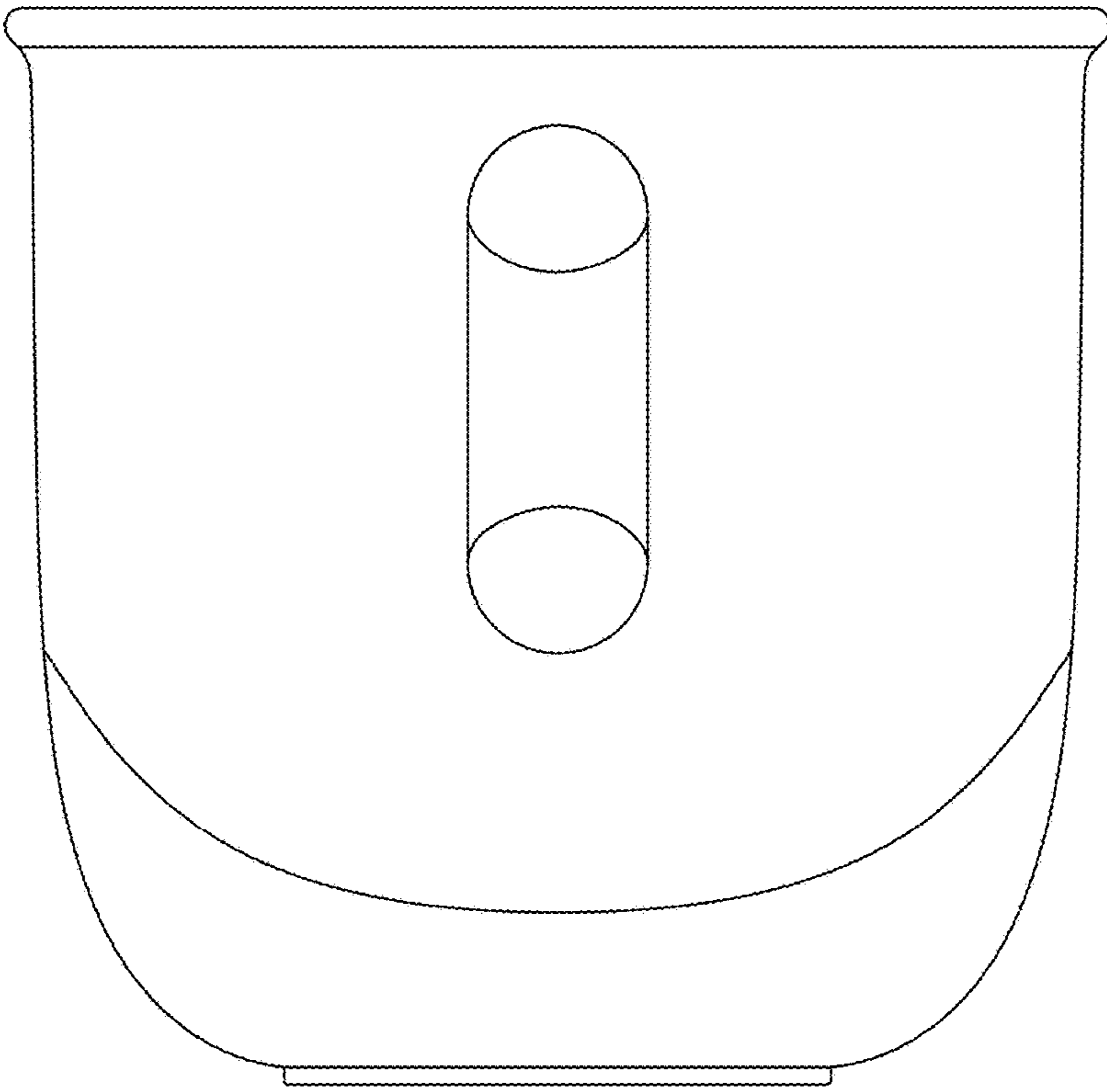


FIG.5

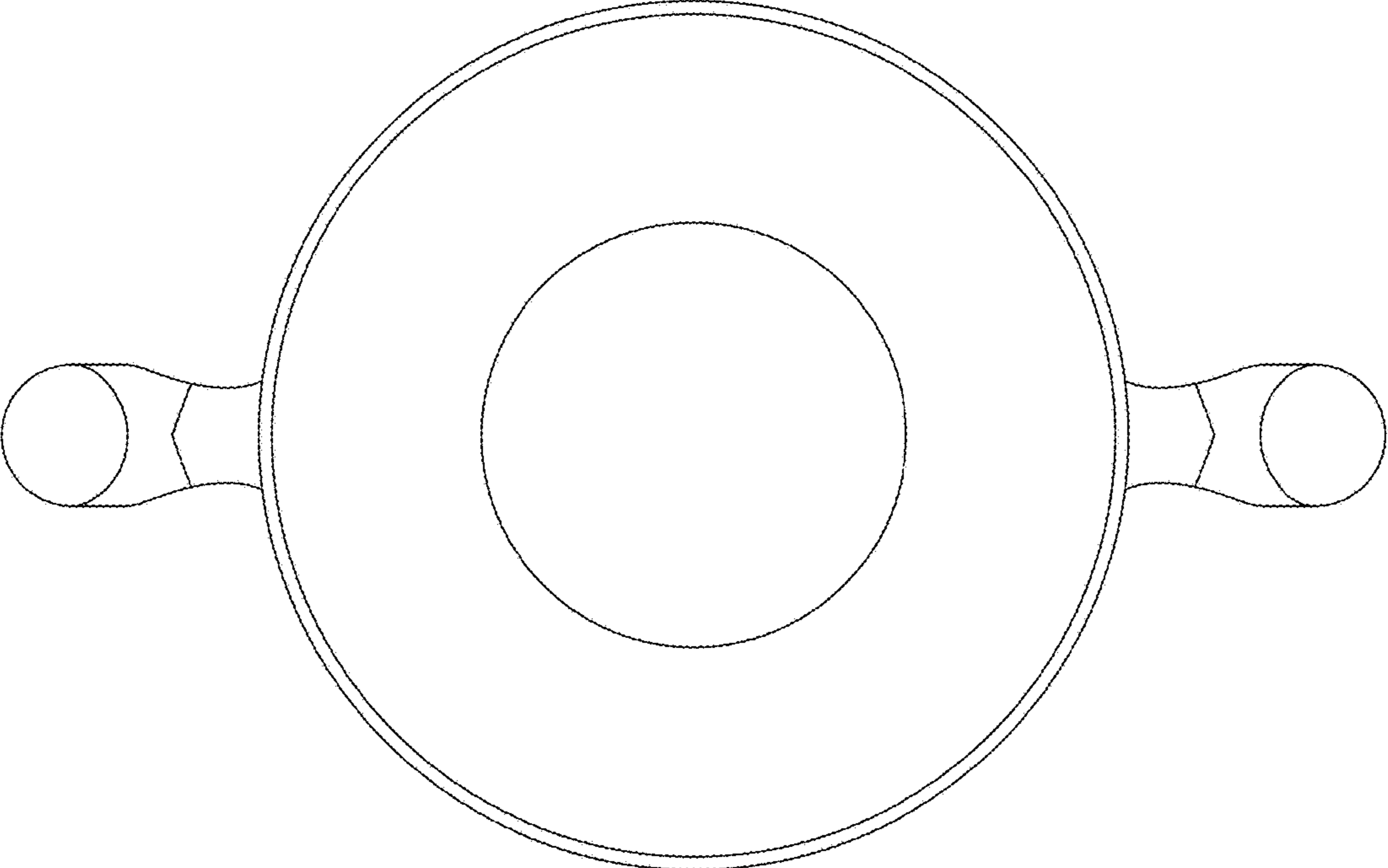


FIG. 6

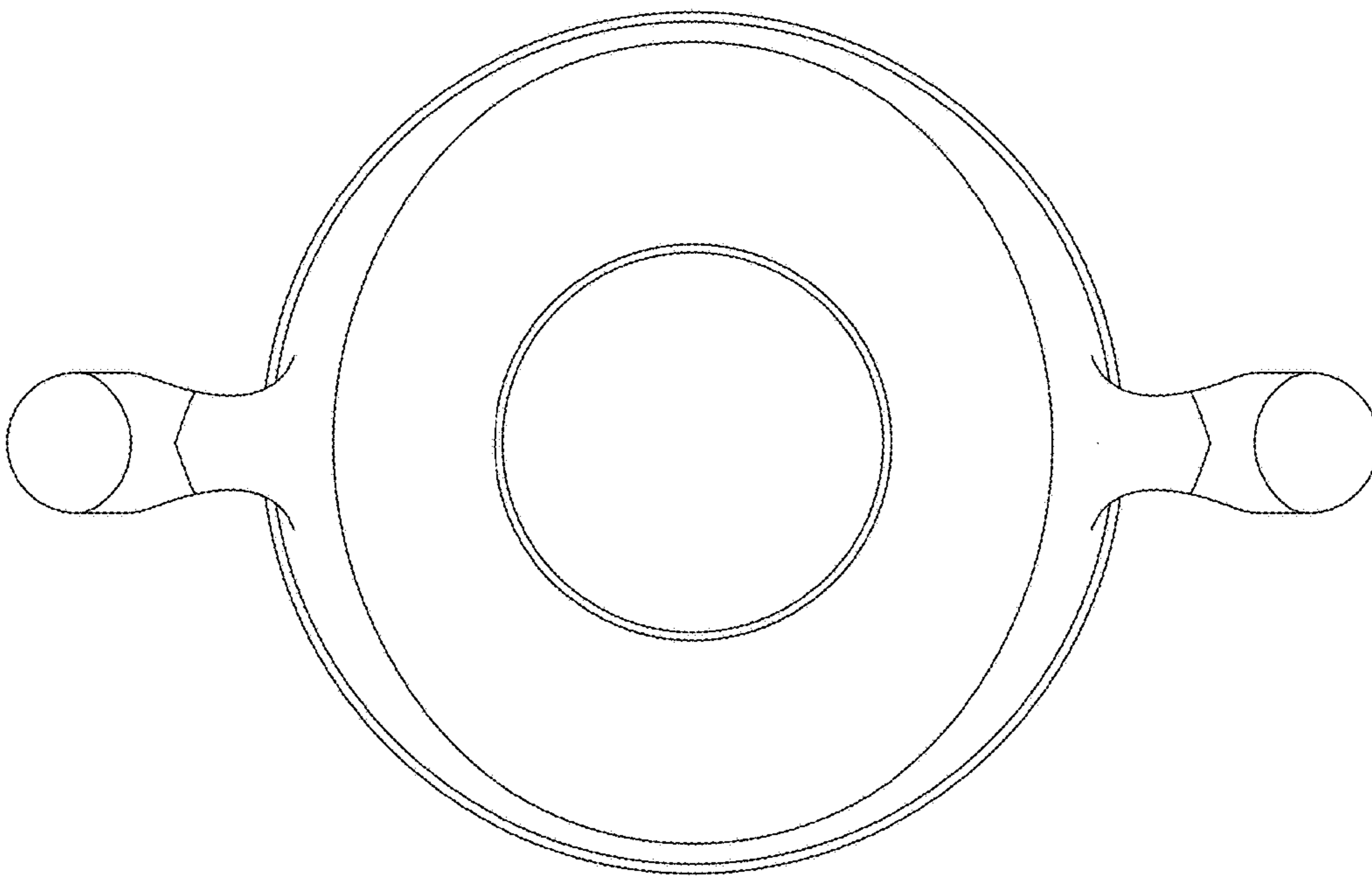


FIG. 7

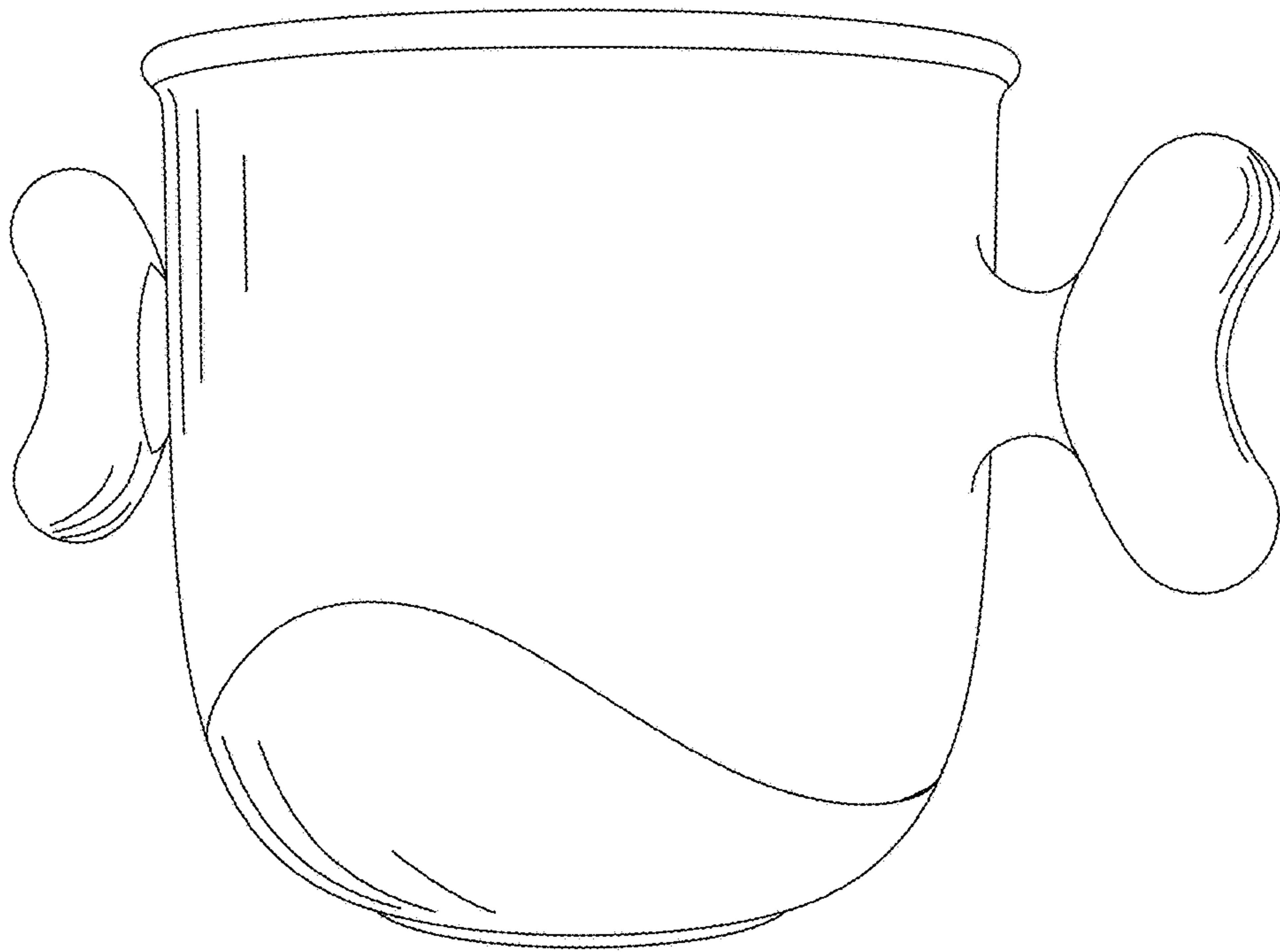


FIG.8

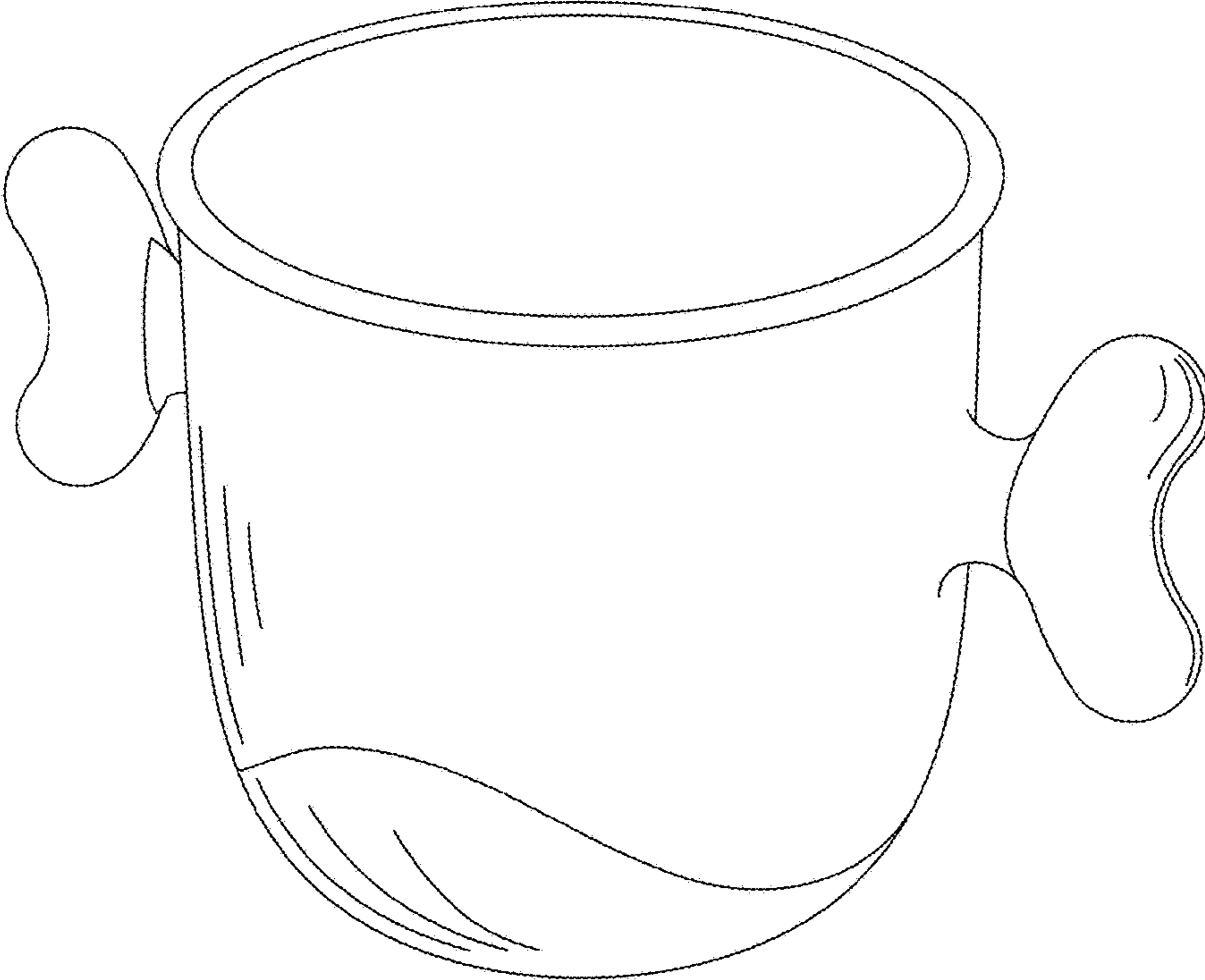


FIG.9

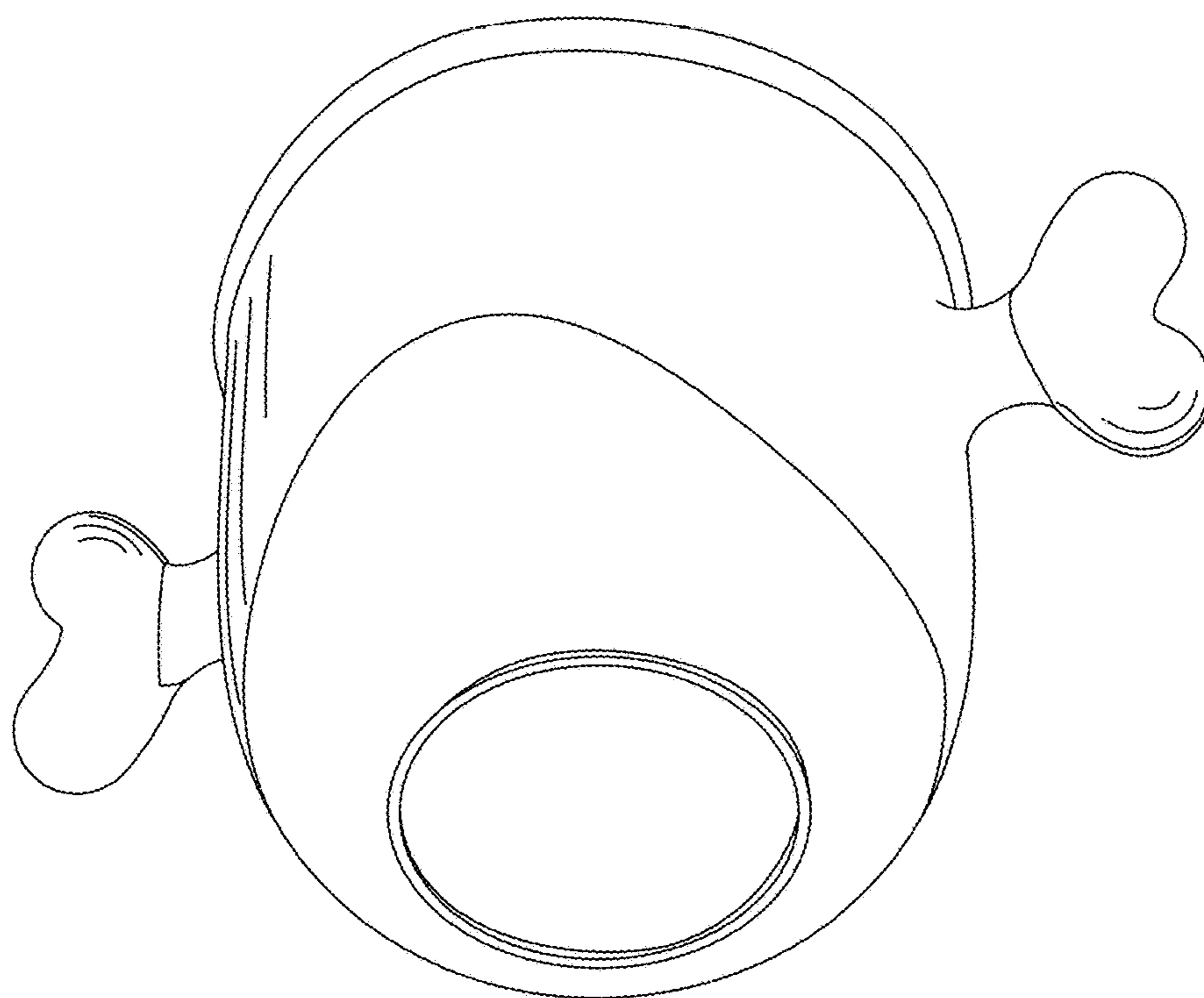


FIG.10

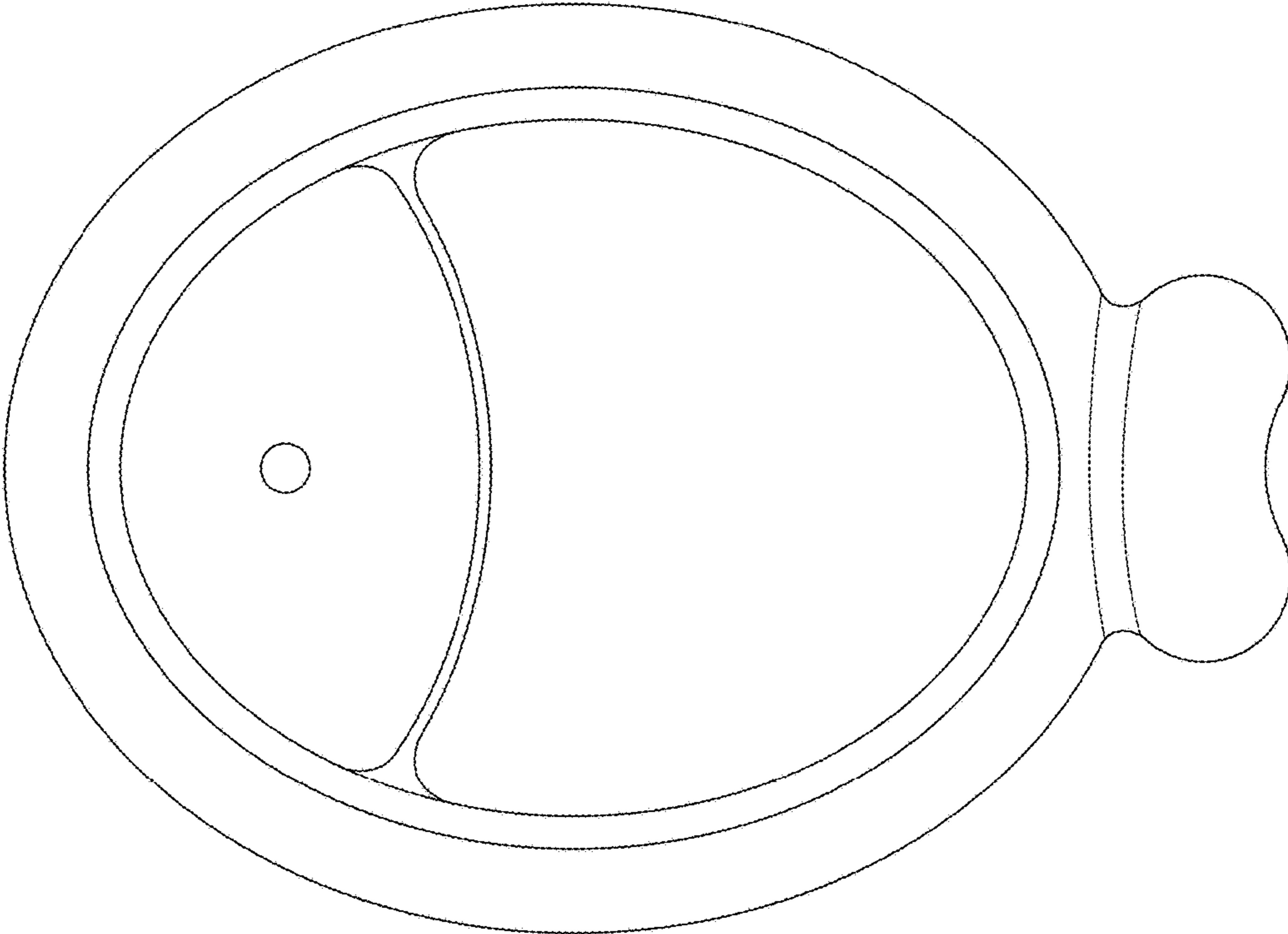


FIG.11

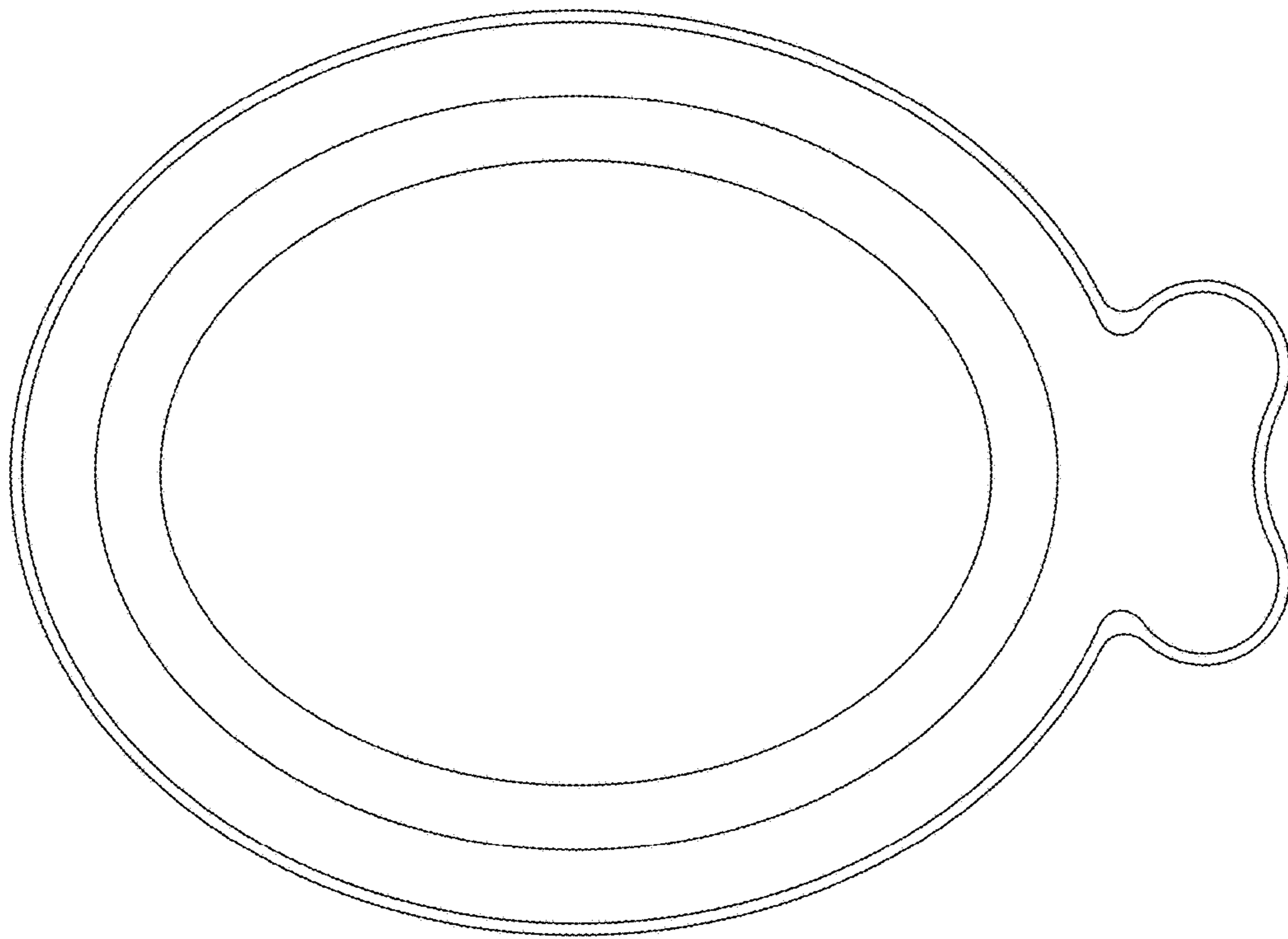


FIG.12

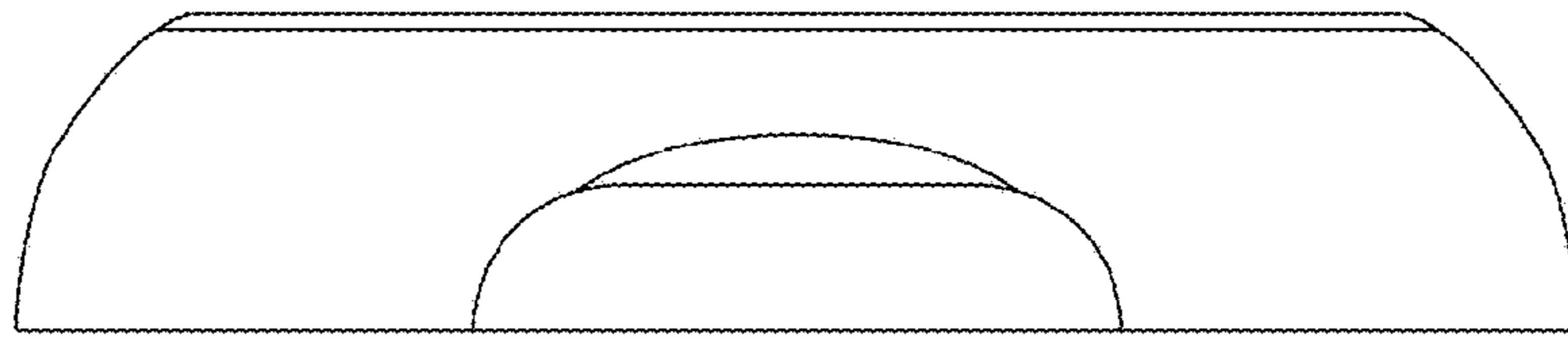


FIG.13

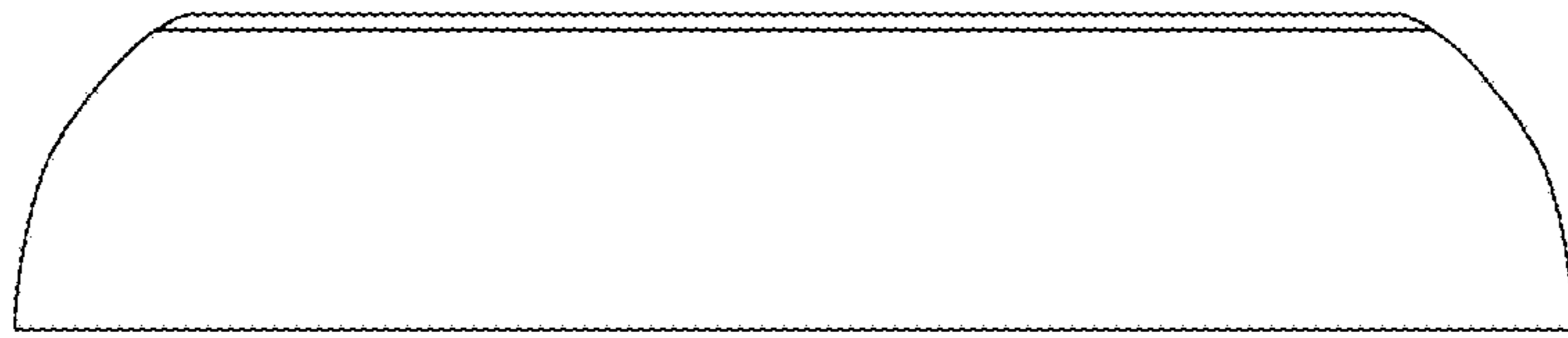


FIG.14

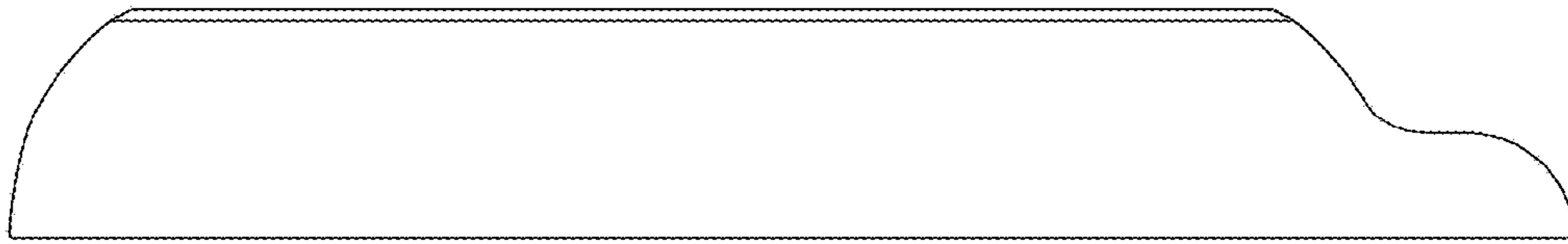


FIG.15

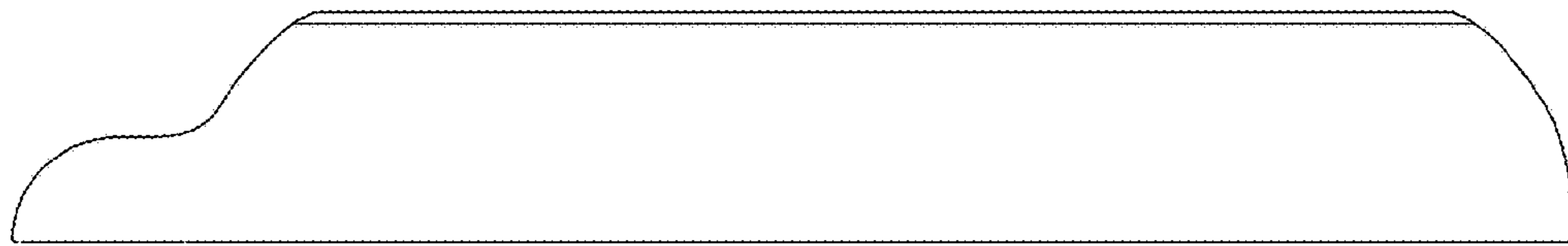


FIG.16

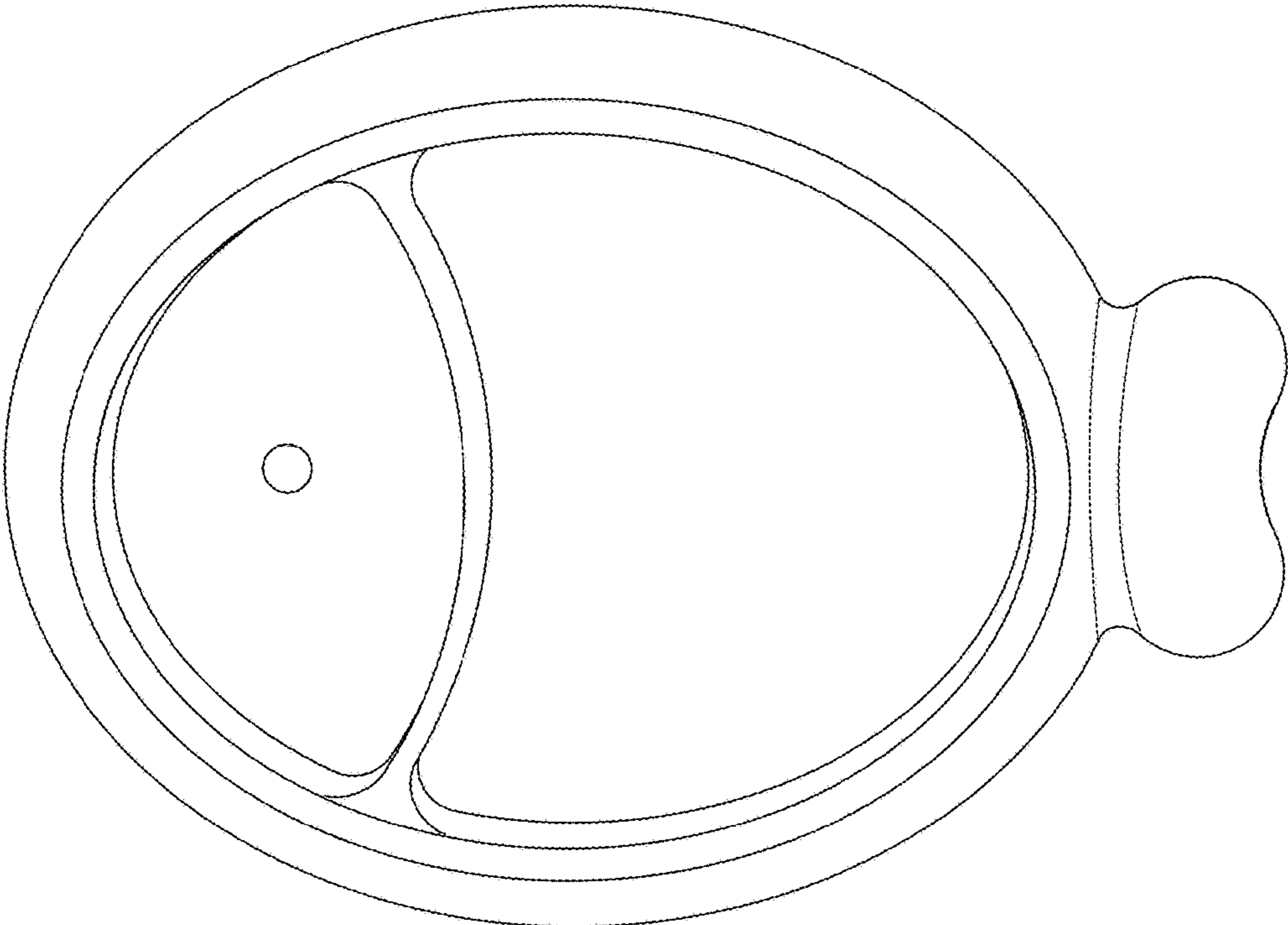


FIG.17

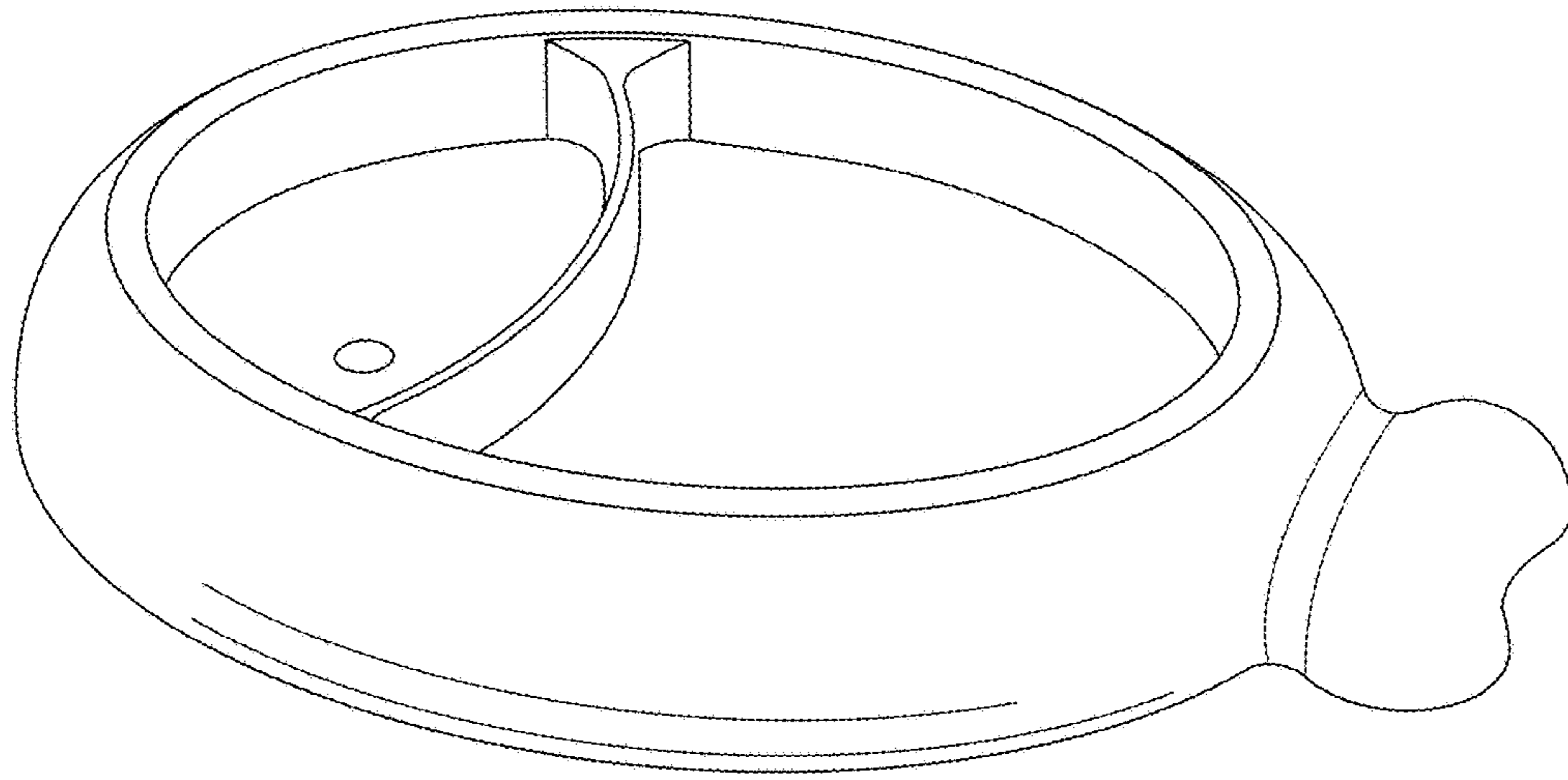


FIG.18

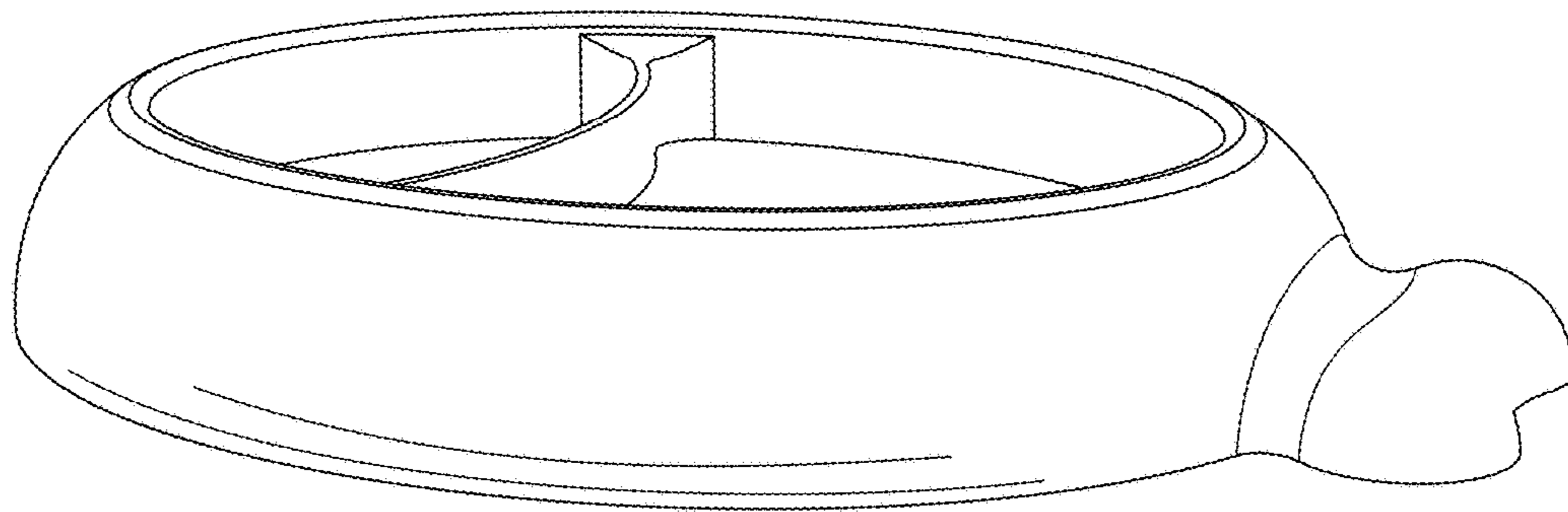


FIG.19

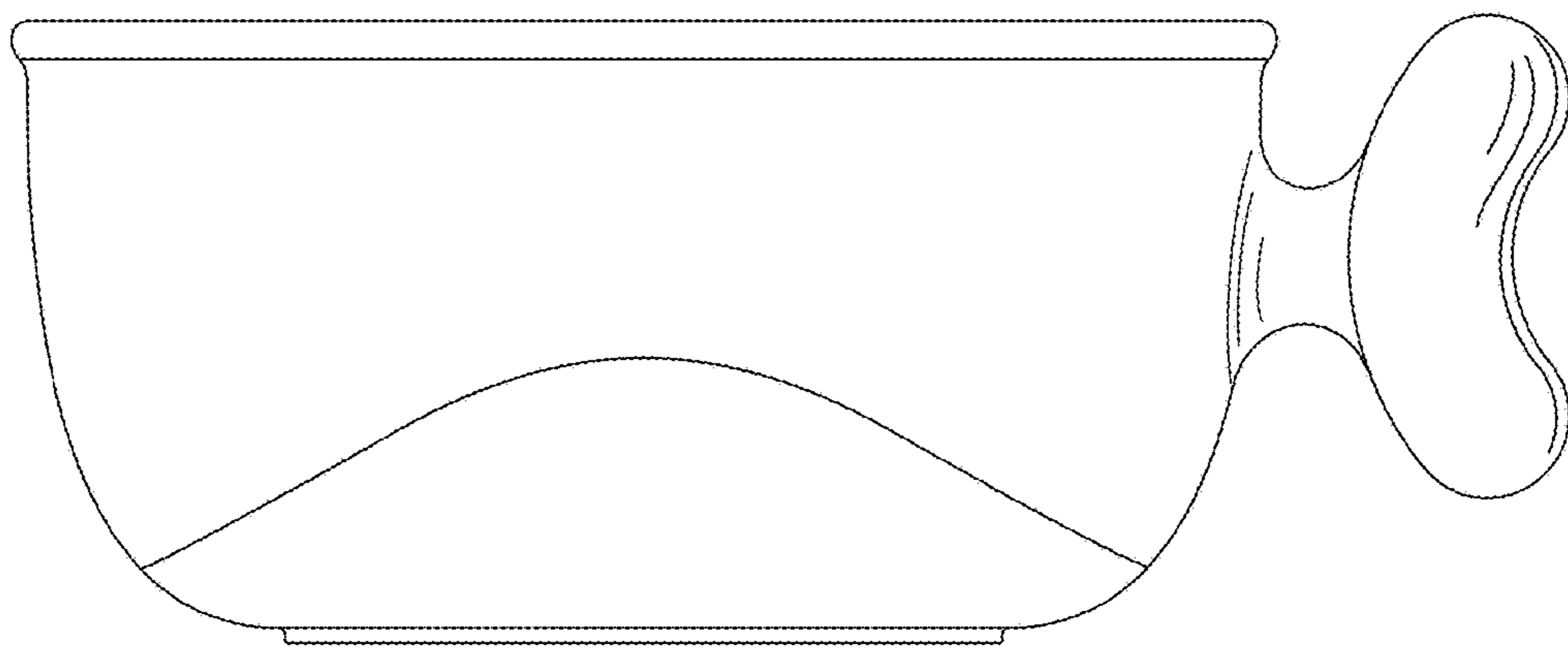


FIG.20

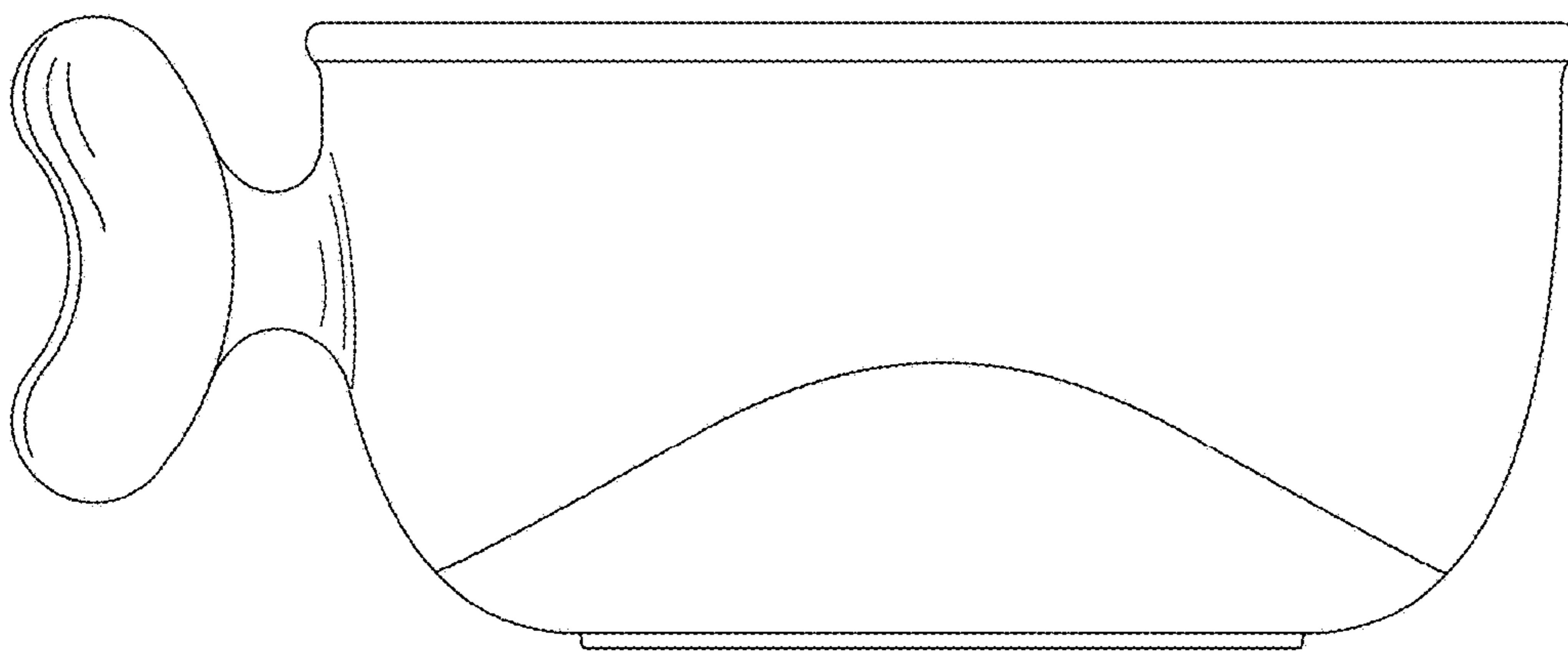


FIG.21

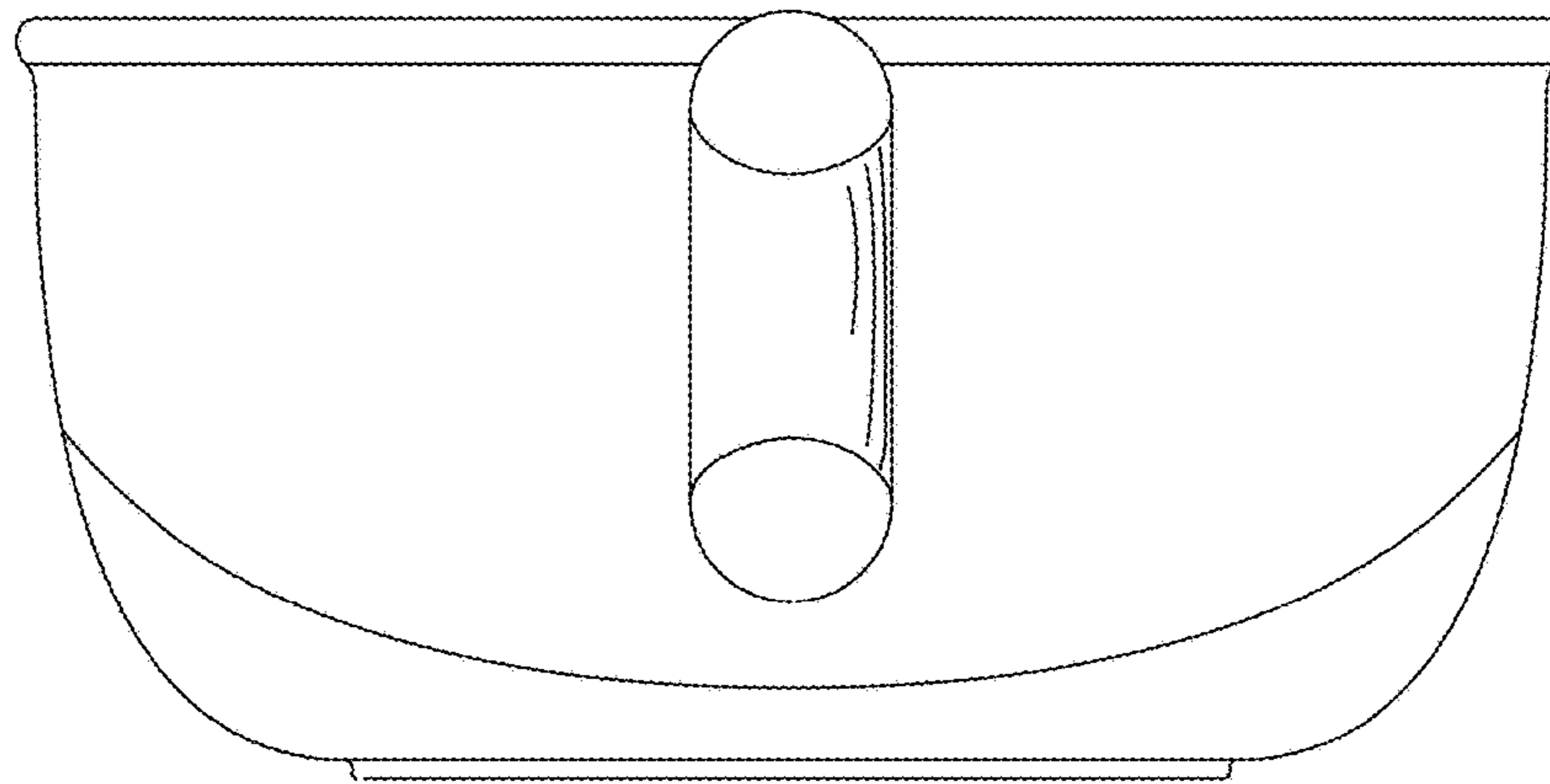


FIG.22

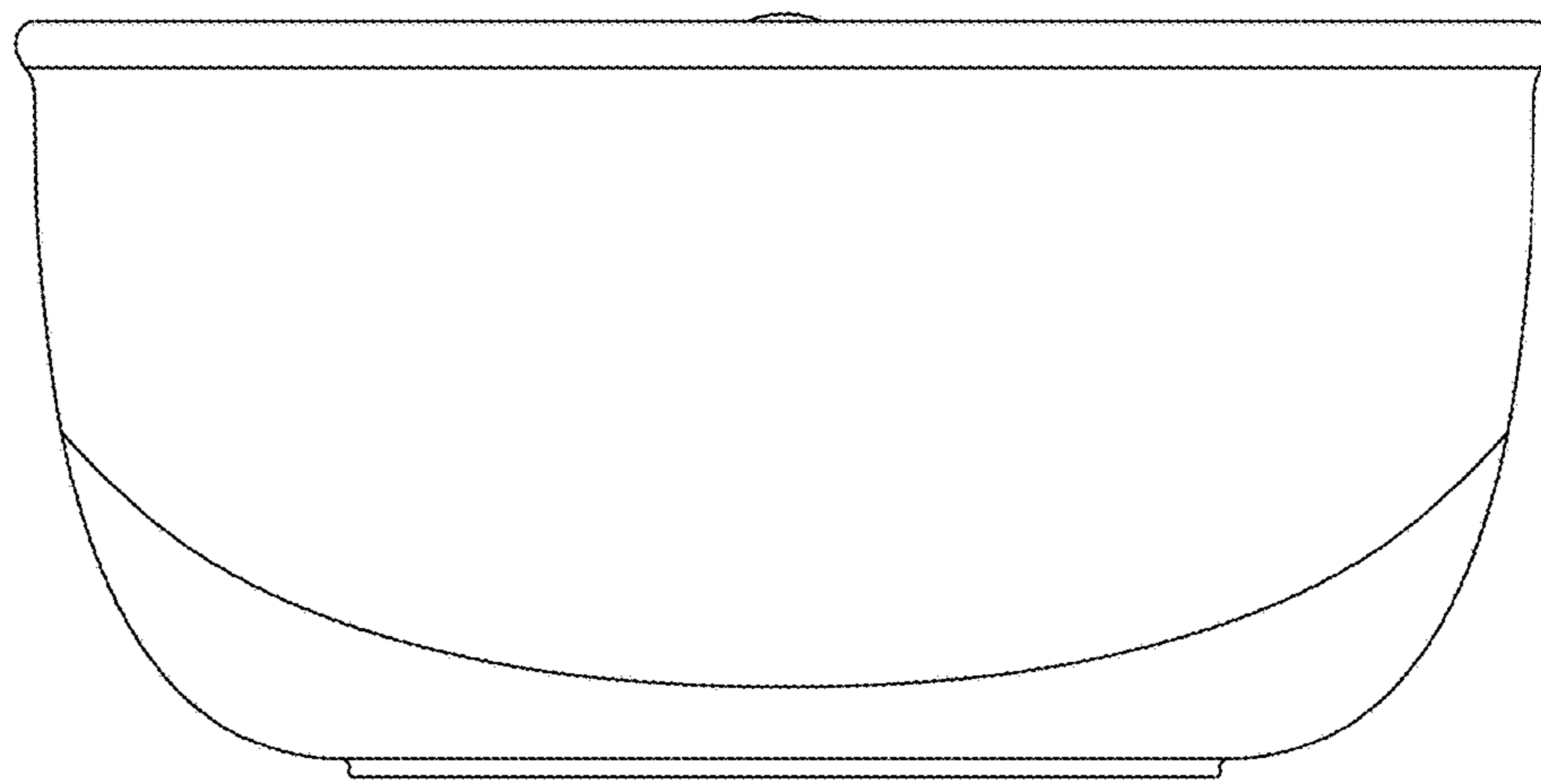


FIG.23

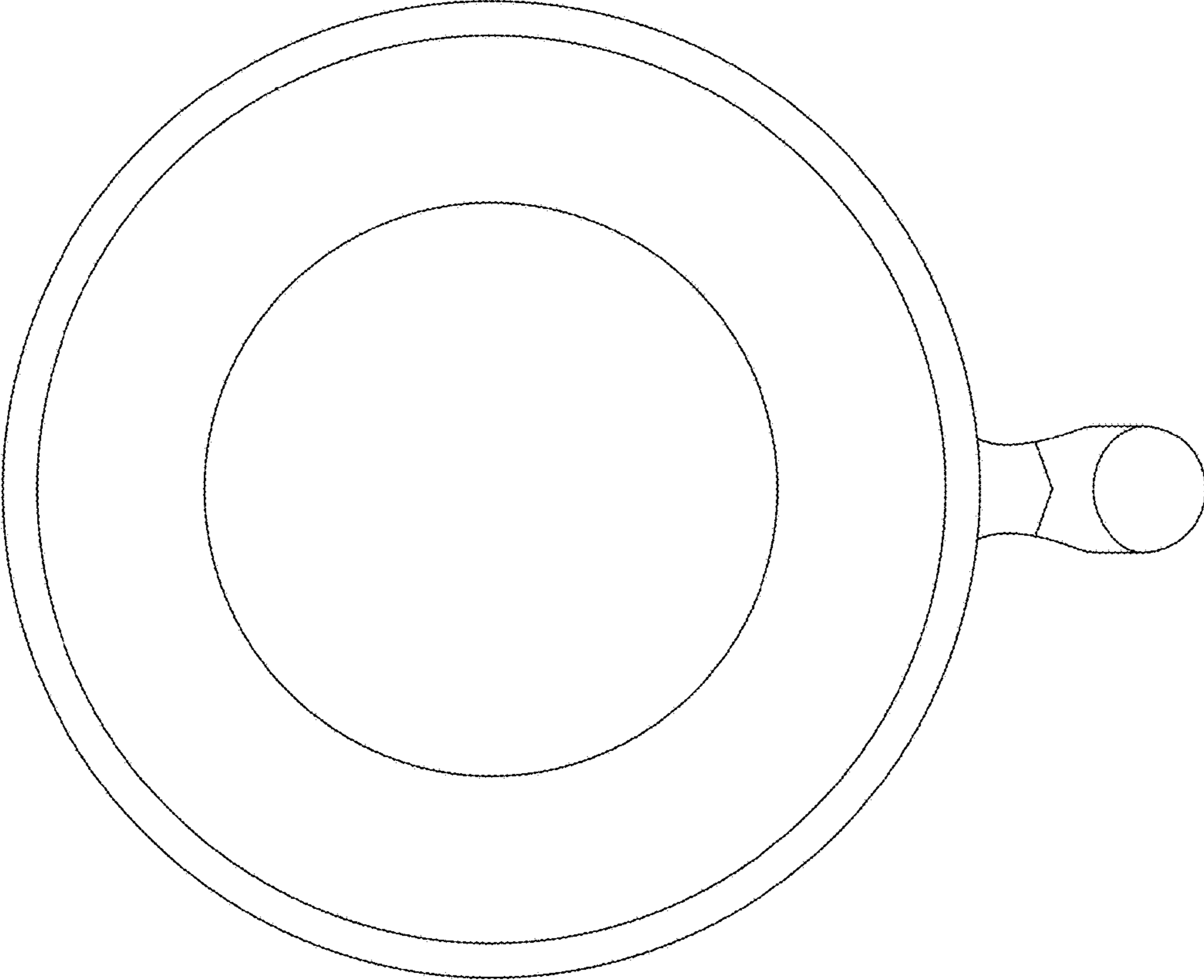


FIG.24

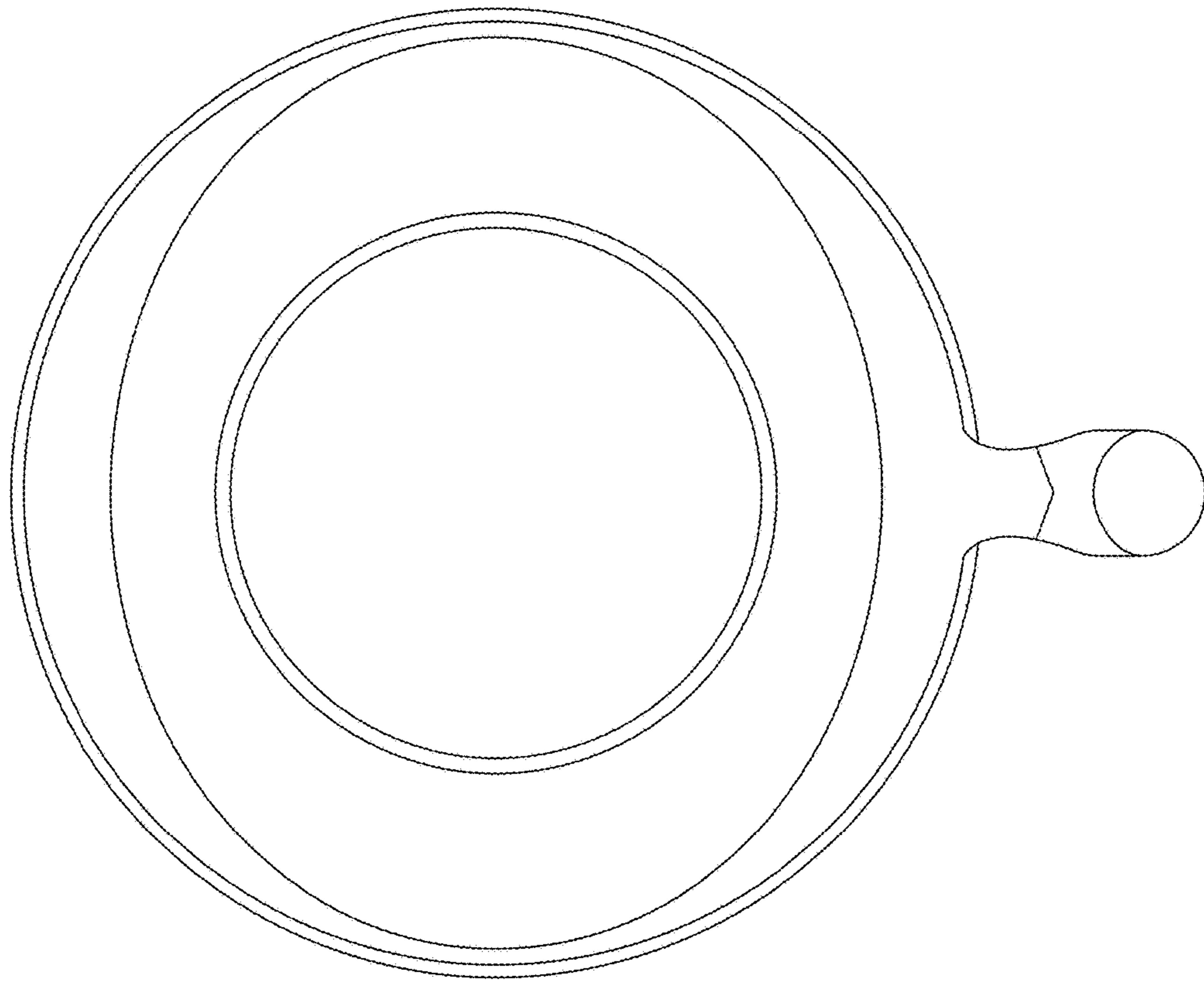


FIG.25

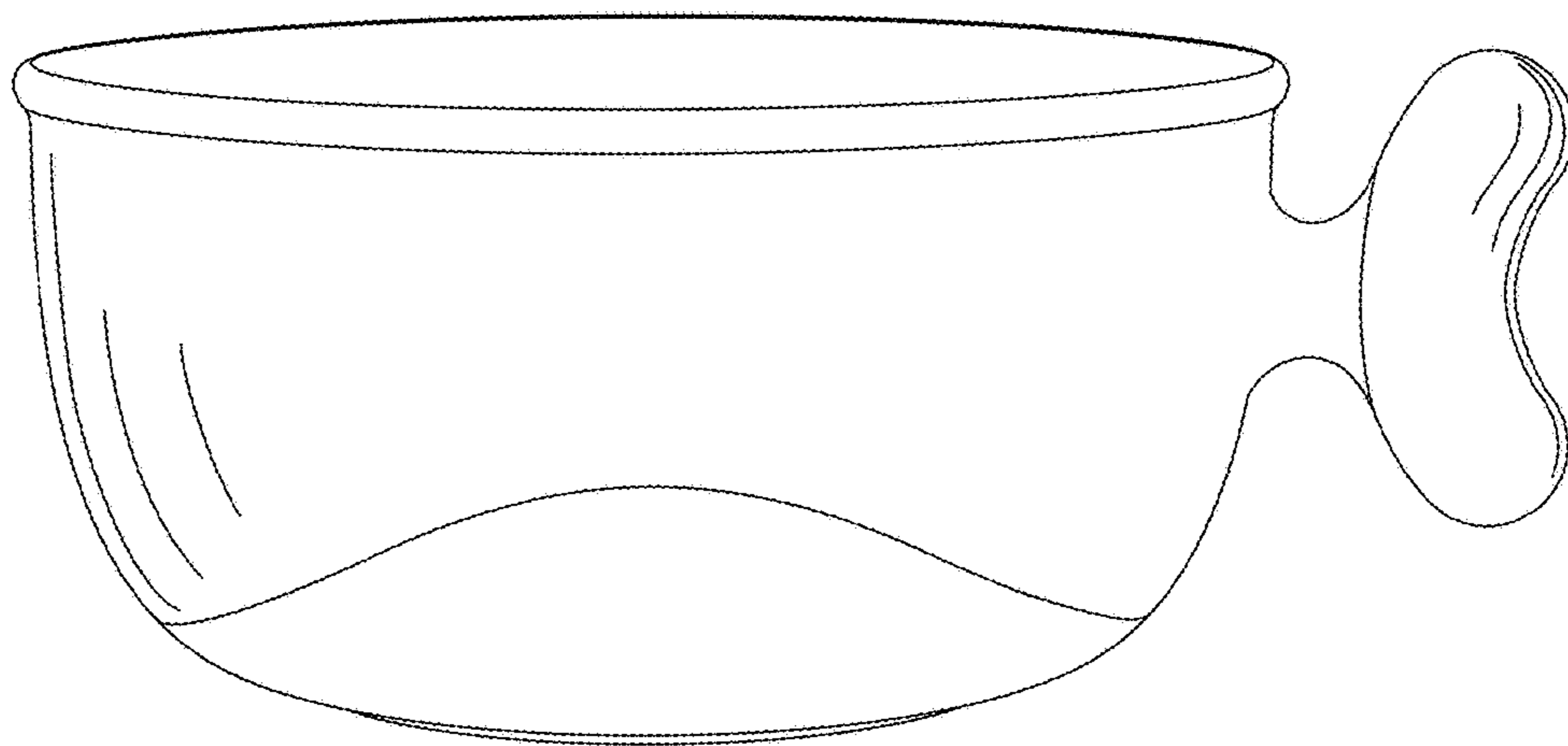


FIG.26

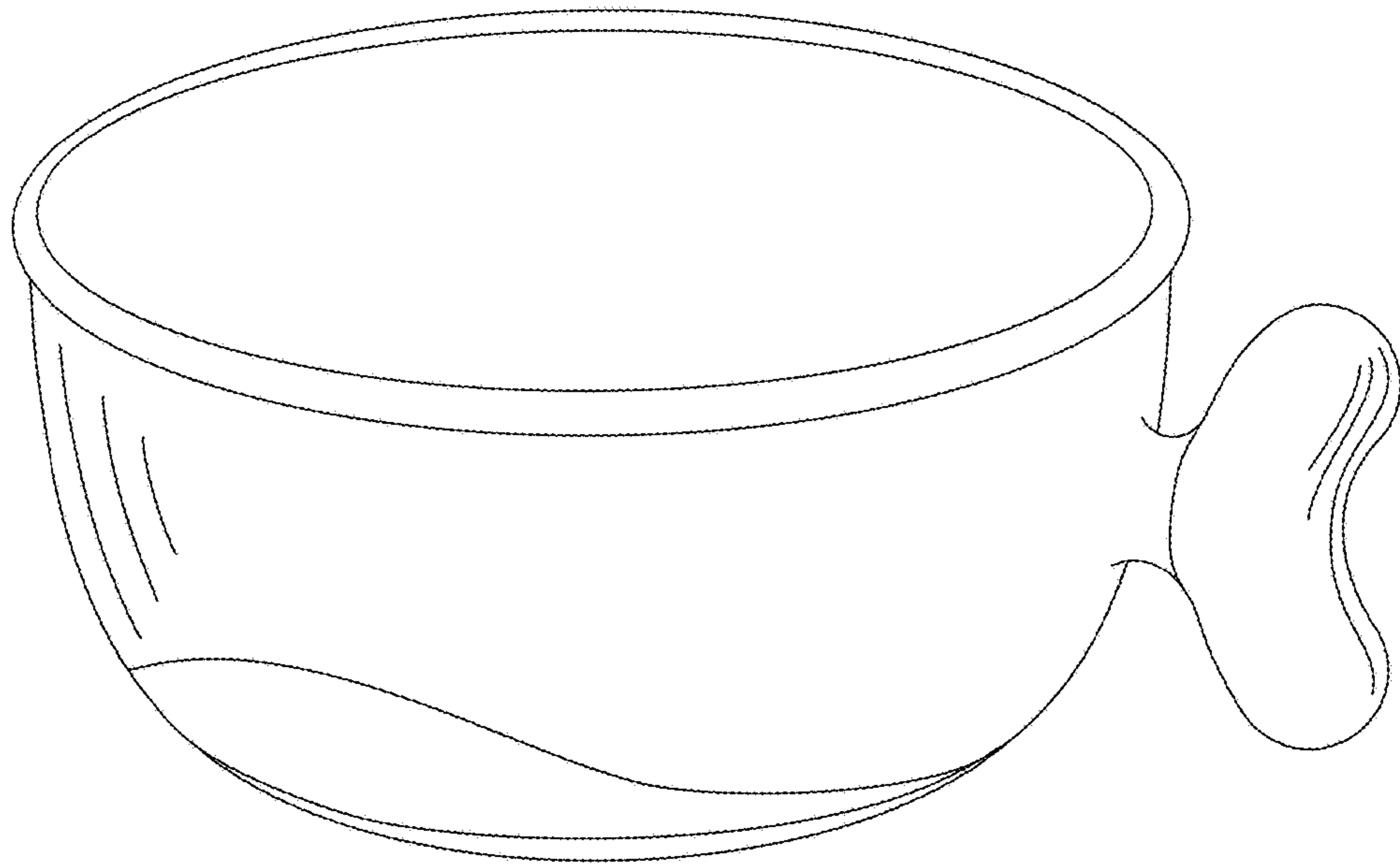


FIG.27

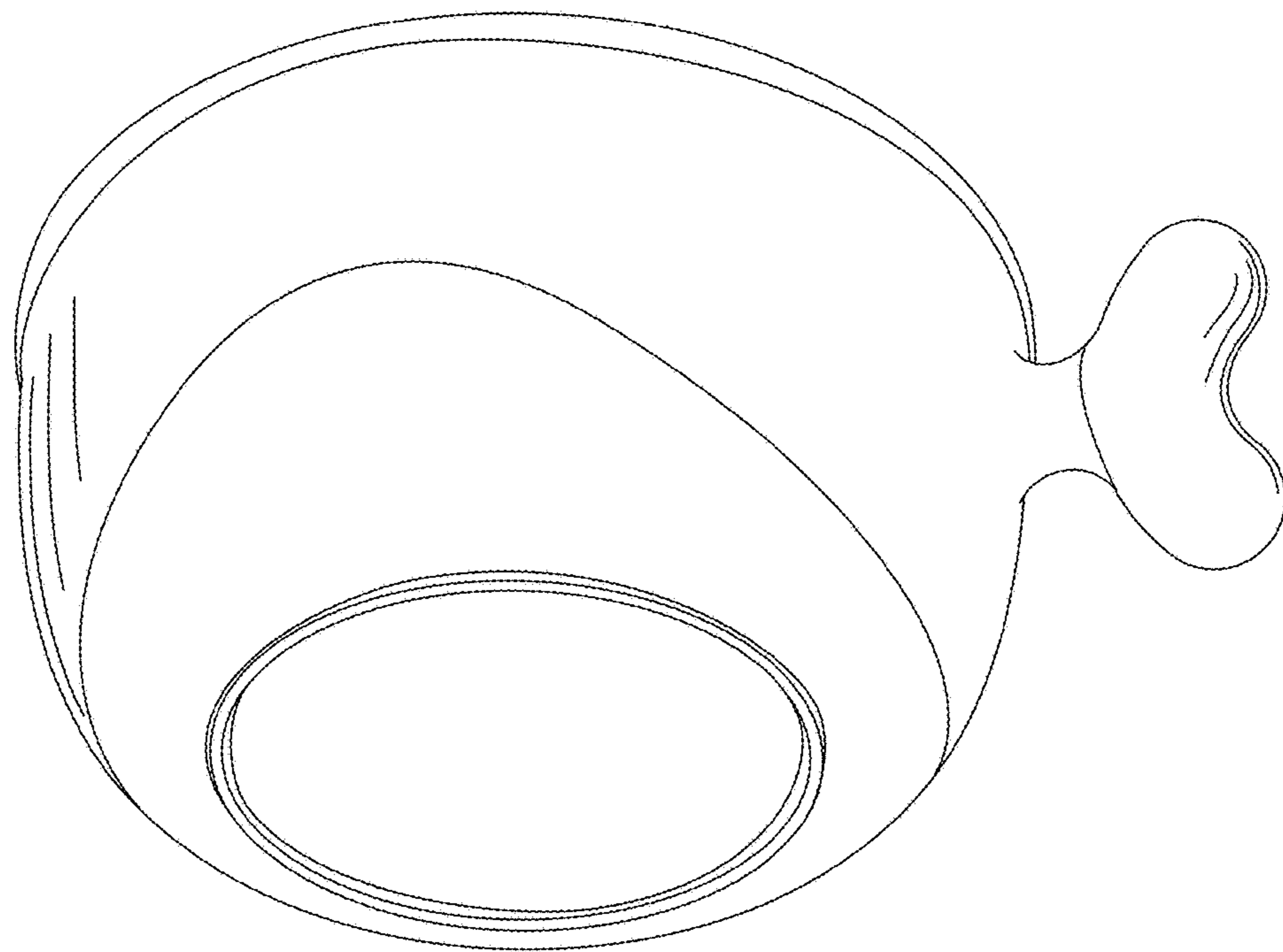


FIG.28

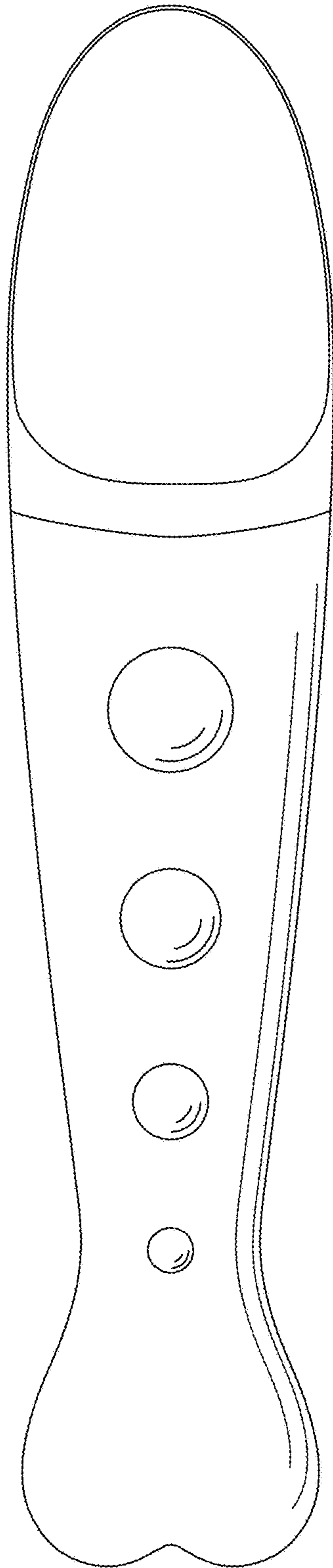


FIG.29

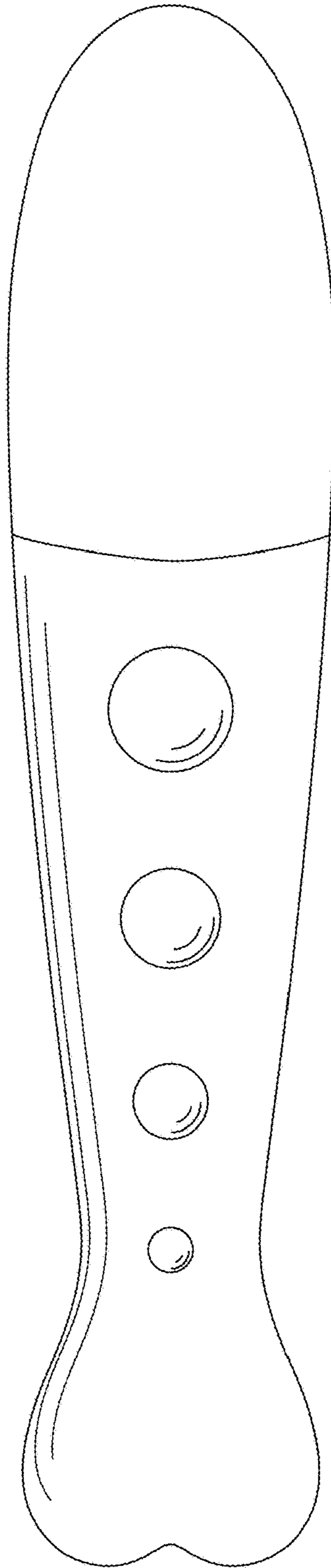


FIG.30

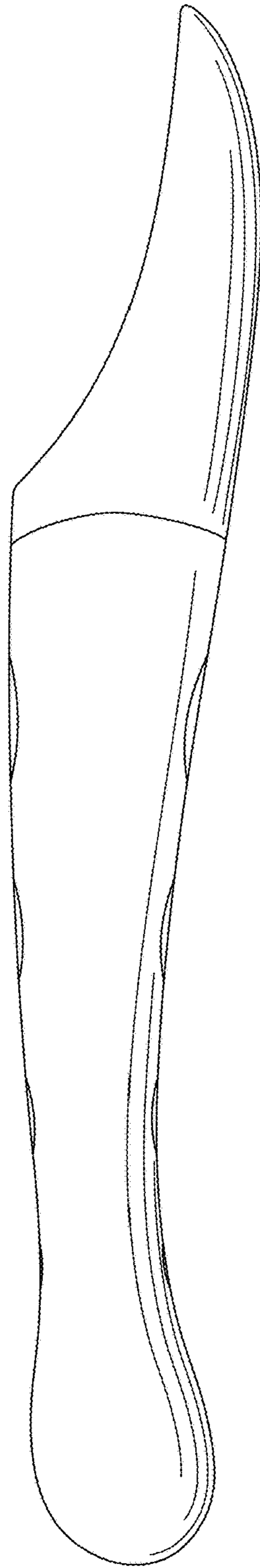


FIG.31

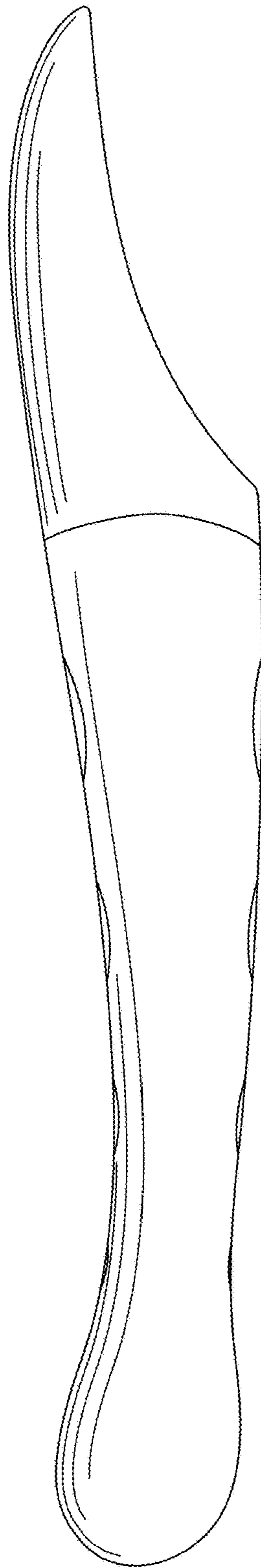


FIG.32

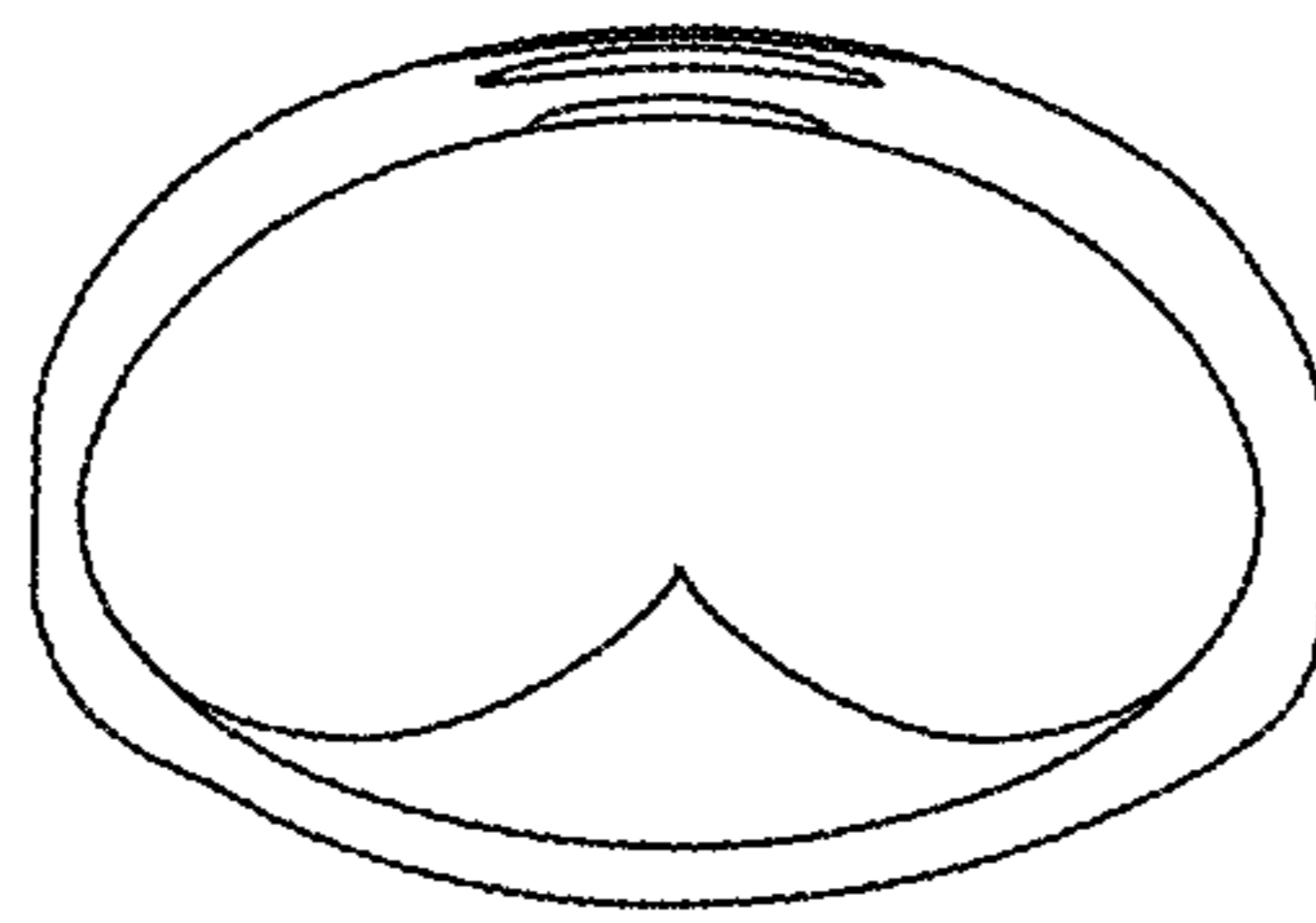


FIG.33

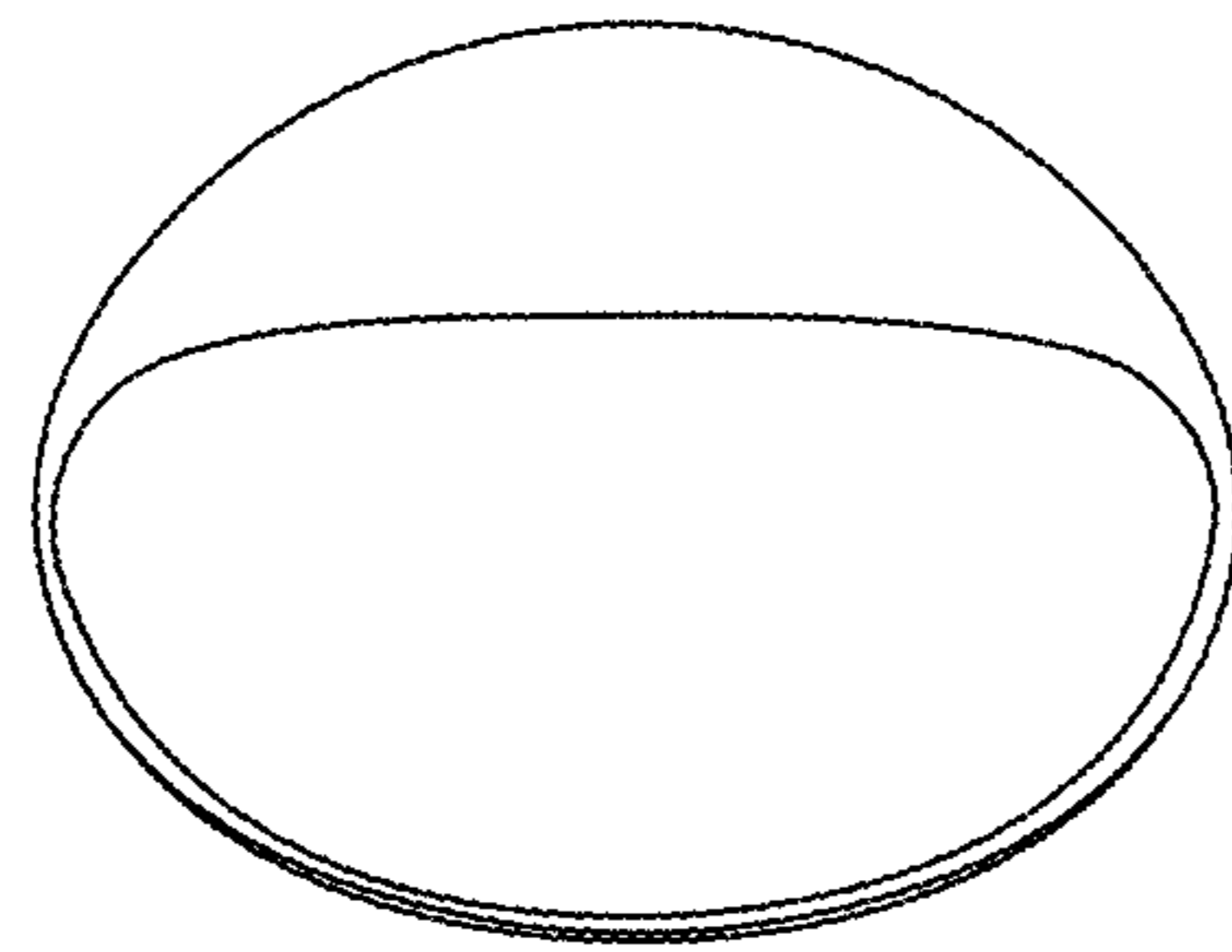


FIG.34

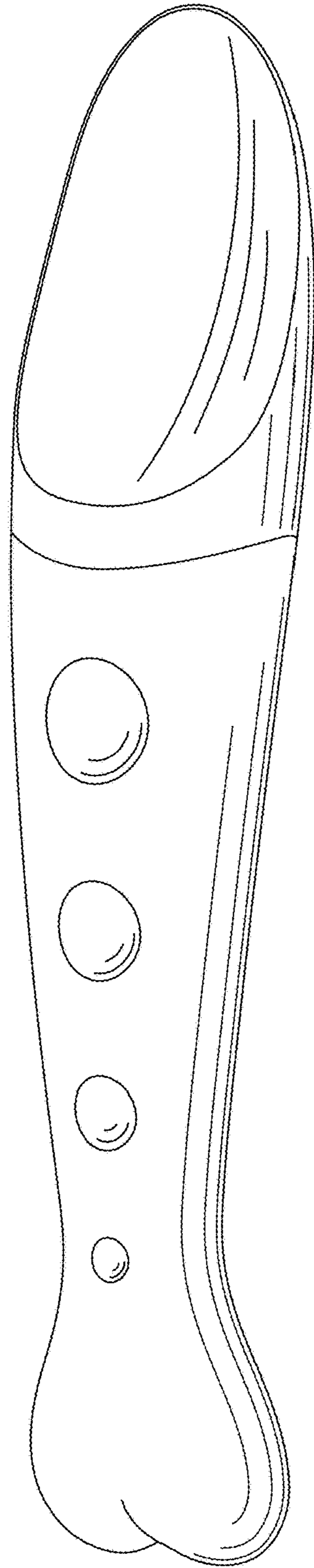


FIG.35

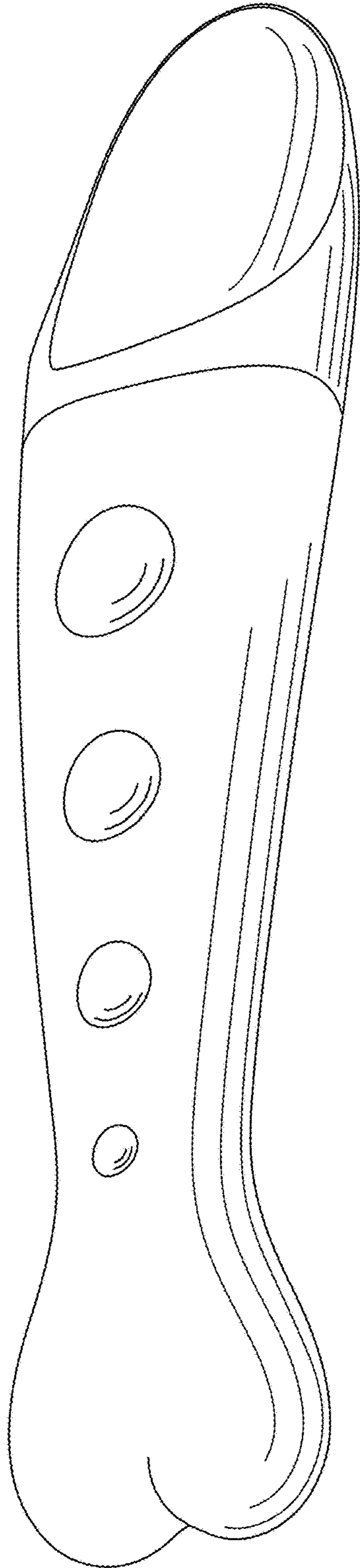


FIG.36

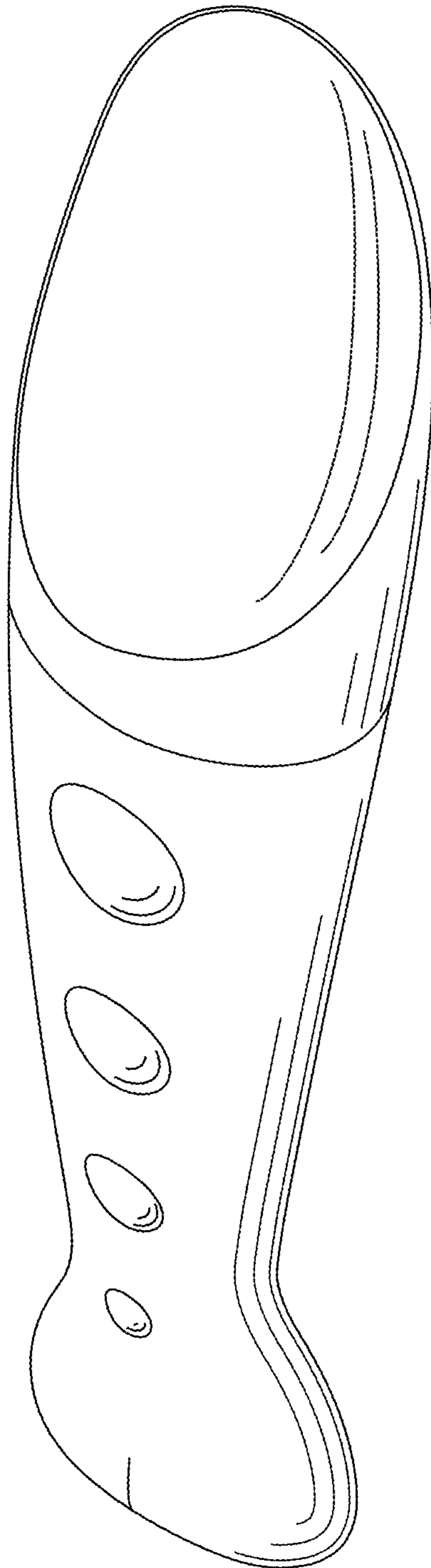


FIG.37

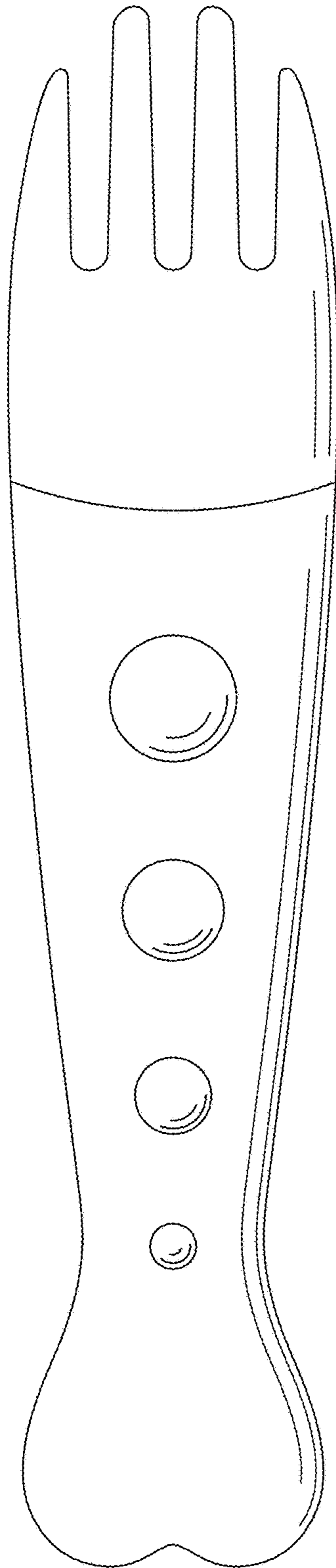


FIG.38

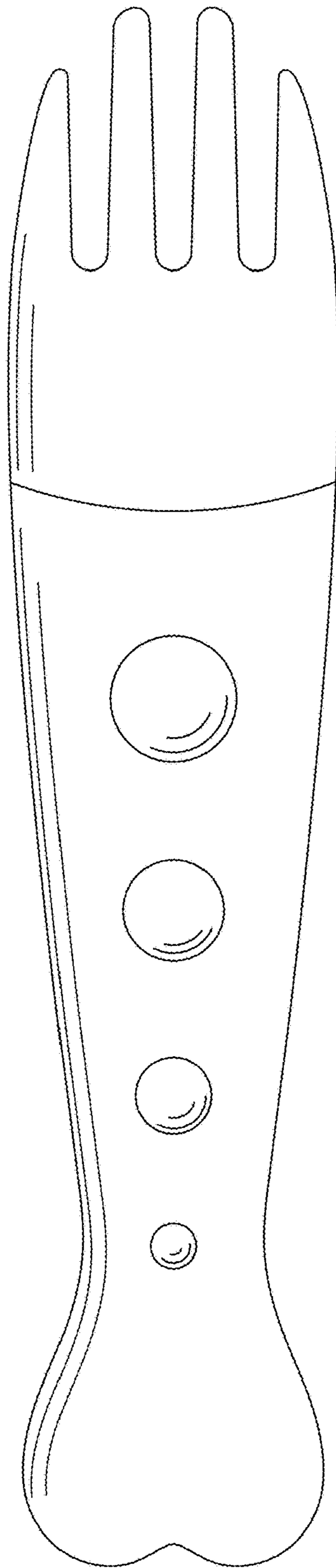


FIG.39

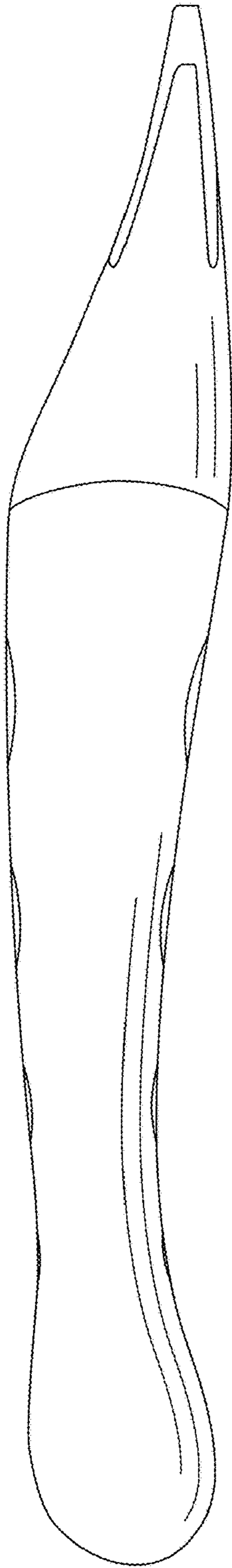


FIG. 40

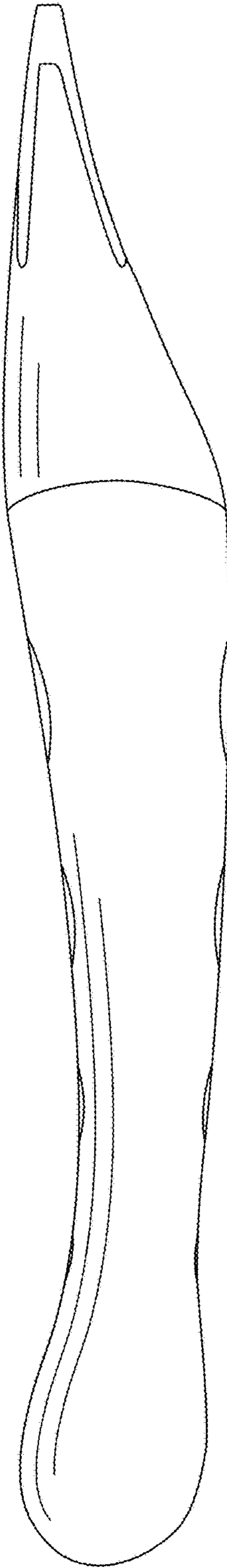


FIG. 41

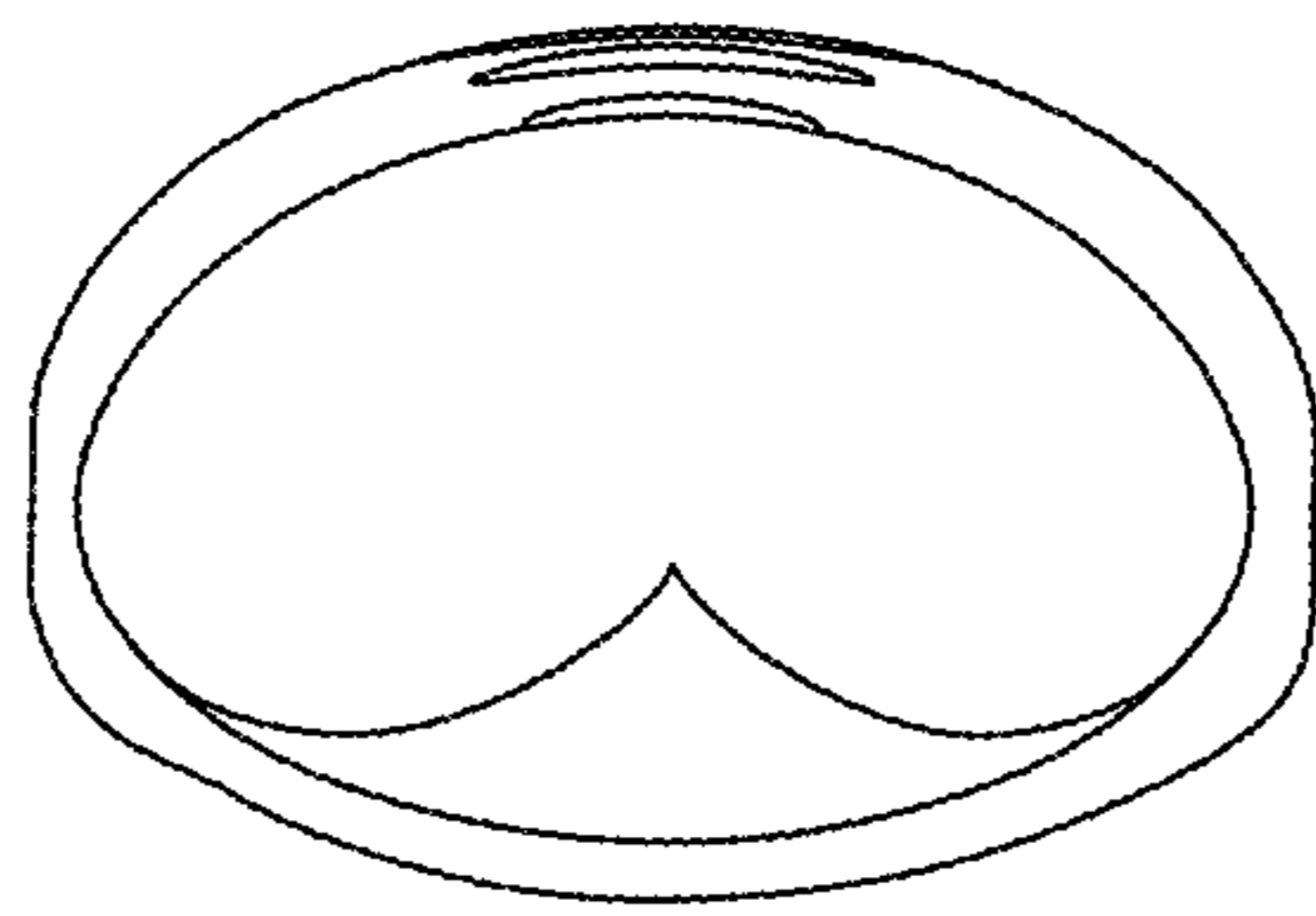


FIG.42

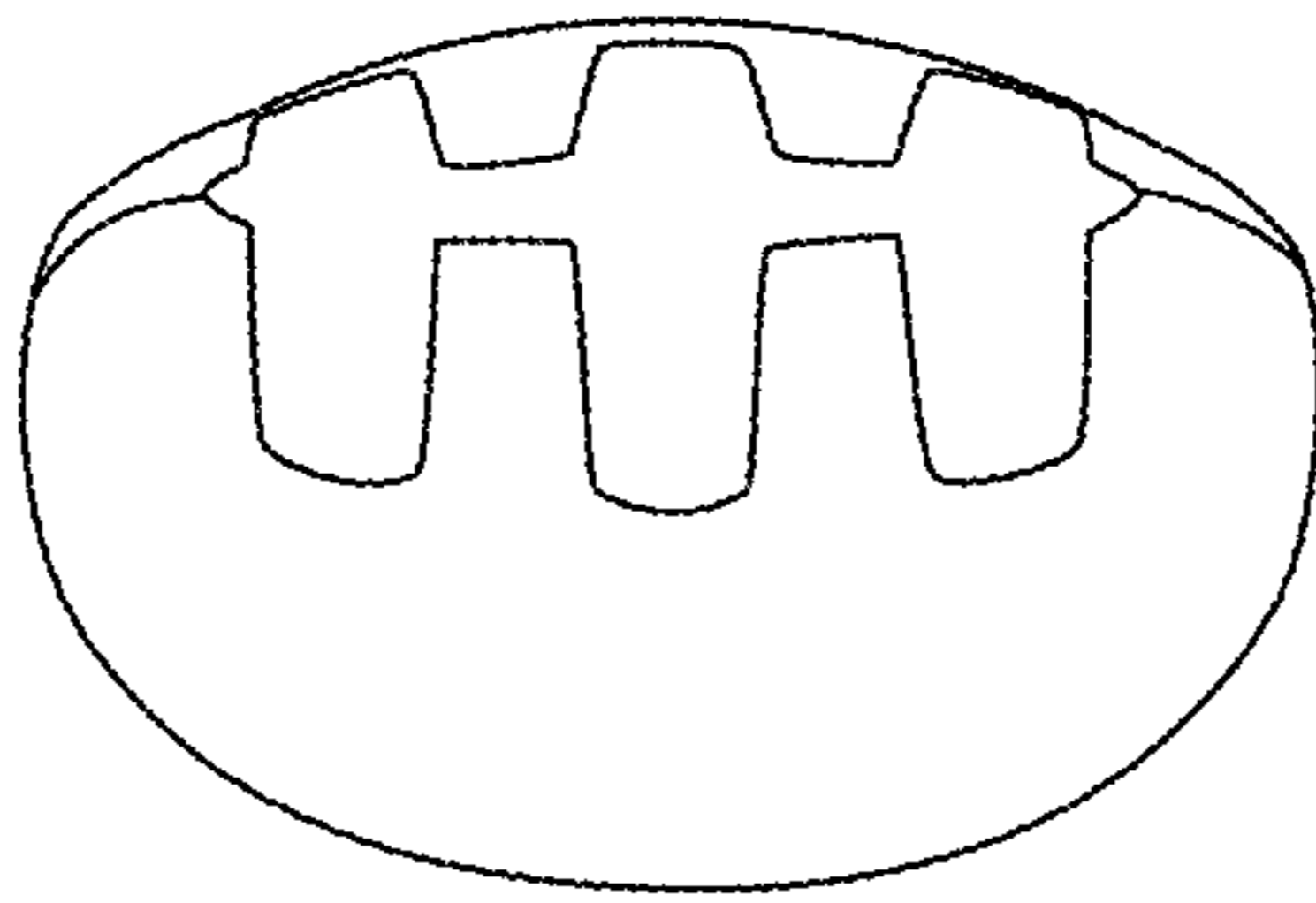


FIG.43

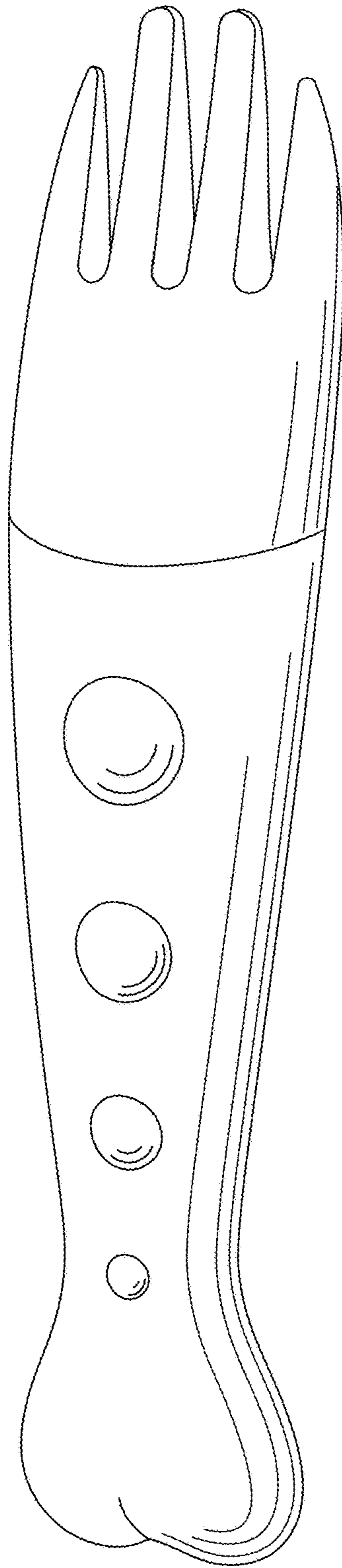


FIG.44

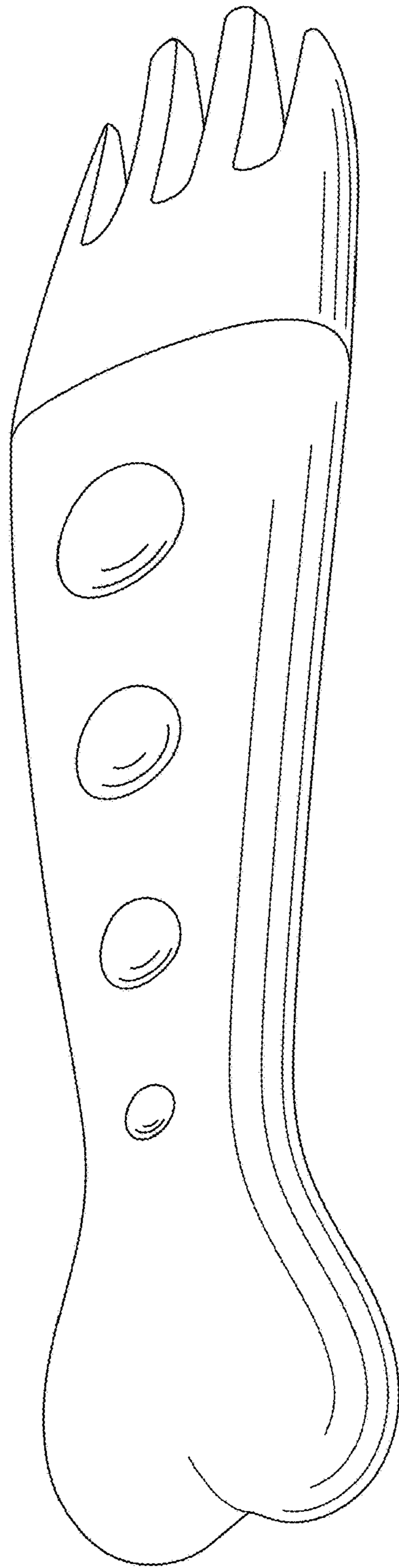


FIG.45

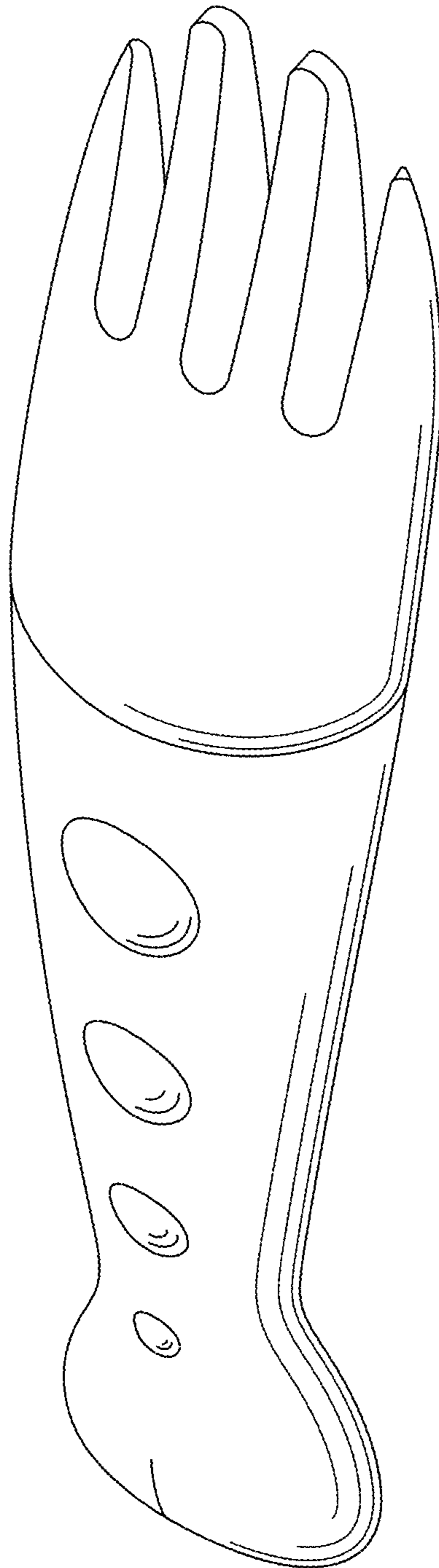


FIG.46