



US00D840752S

(12) **United States Design Patent**
Kamper et al.

(10) **Patent No.:** **US D840,752 S**

(45) **Date of Patent:** **** Feb. 19, 2019**

(54) **GAS COOK TOP COMPONENT**

(71) Applicants: **BSH Home Appliances Corporation**,
Irvine, CA (US); **BSH Hausgeräte**
GmbH, Munich (DE)

(72) Inventors: **Heather Kamper**, Newport Beach, CA
(US); **Andy Mok**, Stanton, CA (US)

(73) Assignees: **BSH Home Appliances Corporation**,
Irvine, CA (US); **BSH Hausgeräte**
GmbH, Munich (DE)

(**) Term: **15 Years**

(21) Appl. No.: **29/629,396**

(22) Filed: **Dec. 13, 2017**

Related U.S. Application Data

(62) Division of application No. 29/529,267, filed on Jun.
5, 2015, now Pat. No. Des. 811,164.

(51) **LOC (11) Cl.** **07-02**

(52) **U.S. Cl.**
USPC **D7/408**

(58) **Field of Classification Search**
USPC D7/407-409, 402, 339-341, 346-347,
D7/362; D23/397, 402
CPC F24C 15/107; F24C 15/36; F24C 3/08;
F24C 3/082; F24C 7/067; F24C 7/062;
A47J 37/0709
See application file for complete search history.

(56) **References Cited**

U.S. PATENT DOCUMENTS

D378,885 S * 4/1997 Sparks D7/408
D577,255 S * 9/2008 Baldwin D7/408
D653,900 S * 2/2012 Kim D7/340
D702,497 S * 4/2014 Funnell, II D7/408

D704,509 S * 5/2014 Funnell, II D7/408
D721,538 S * 1/2015 Kim D7/408
D736,553 S * 8/2015 Funnell, II D7/339

(Continued)

Primary Examiner — Sheryl Lane

Assistant Examiner — Nicole C Shiflet

(74) *Attorney, Agent, or Firm* — Michael E. Tschupp;
Andre Pallapies; Brandon G. Braun

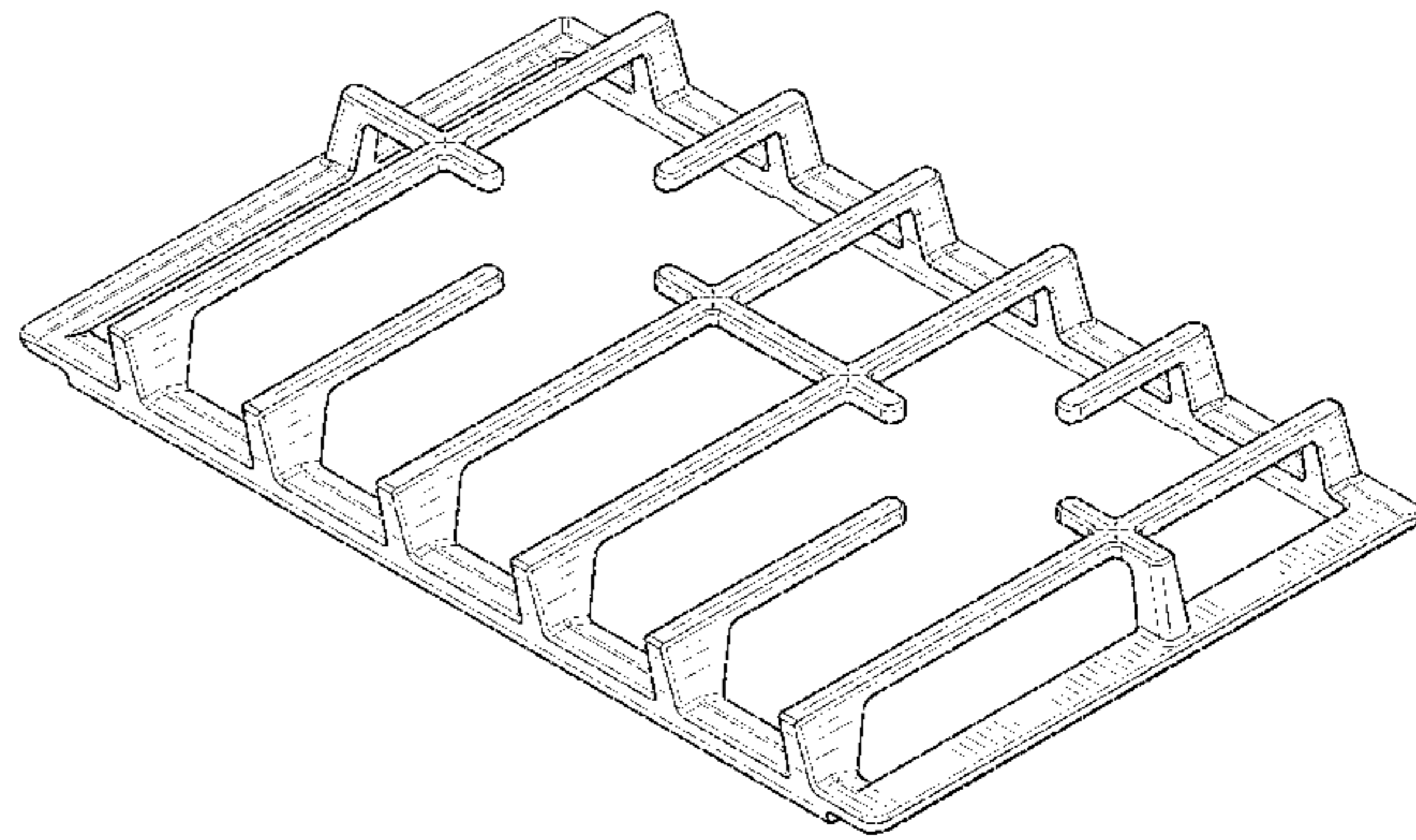
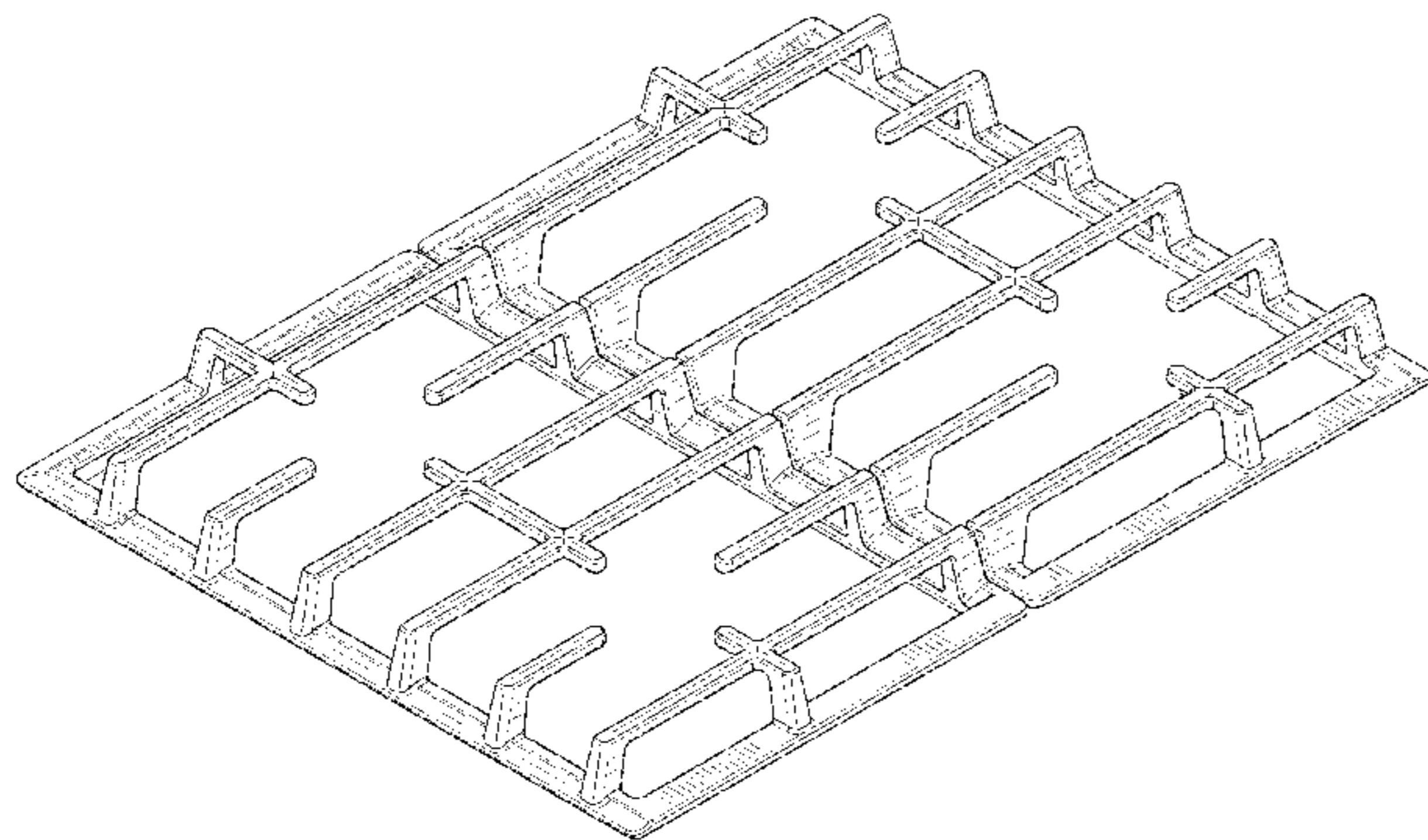
(57) **CLAIM**

The ornamental design for a gas cook top component, as
shown and described.

DESCRIPTION

FIG. 1 is a perspective view of a gas cook top grate
according to an embodiment of our new ornamental design;
FIG. 2 is a top view thereof;
FIG. 3 is a bottom view thereof;
FIG. 4 is a left side view thereof;
FIG. 5 is a right side view thereof;
FIG. 6 is a front view thereof;
FIG. 7 is a rear view thereof;
FIG. 8 is a perspective view of a gas cook top grate
according to an embodiment of our new ornamental design;
FIG. 9 is a top view thereof;
FIG. 10 is a bottom view thereof;
FIG. 11 is a left side view thereof;
FIG. 12 is a right side view thereof;
FIG. 13 is a front view thereof;
FIG. 14 is a rear view thereof;
FIG. 15 is a perspective view of a gas cook top grate
according to an embodiment of our new ornamental design;
FIG. 16 is a top view thereof;
FIG. 17 is a bottom view thereof;
FIG. 18 is a left side view thereof;
FIG. 19 is a right side view thereof;
FIG. 20 is a front view thereof; and,
FIG. 21 is a rear view thereof.

1 Claim, 12 Drawing Sheets



(56)

References Cited

U.S. PATENT DOCUMENTS

D789,729 S * 6/2017 Lee D7/340
D811,164 S * 2/2018 Kamper D7/408
D817,691 S * 5/2018 Kim D7/346
2009/0260614 A1* 10/2009 Scott F24C 15/006
126/1 R
2014/0345597 A1* 11/2014 Lim F24C 3/08
126/39 E
2017/0023254 A1* 1/2017 Cadima F24C 1/06

* cited by examiner

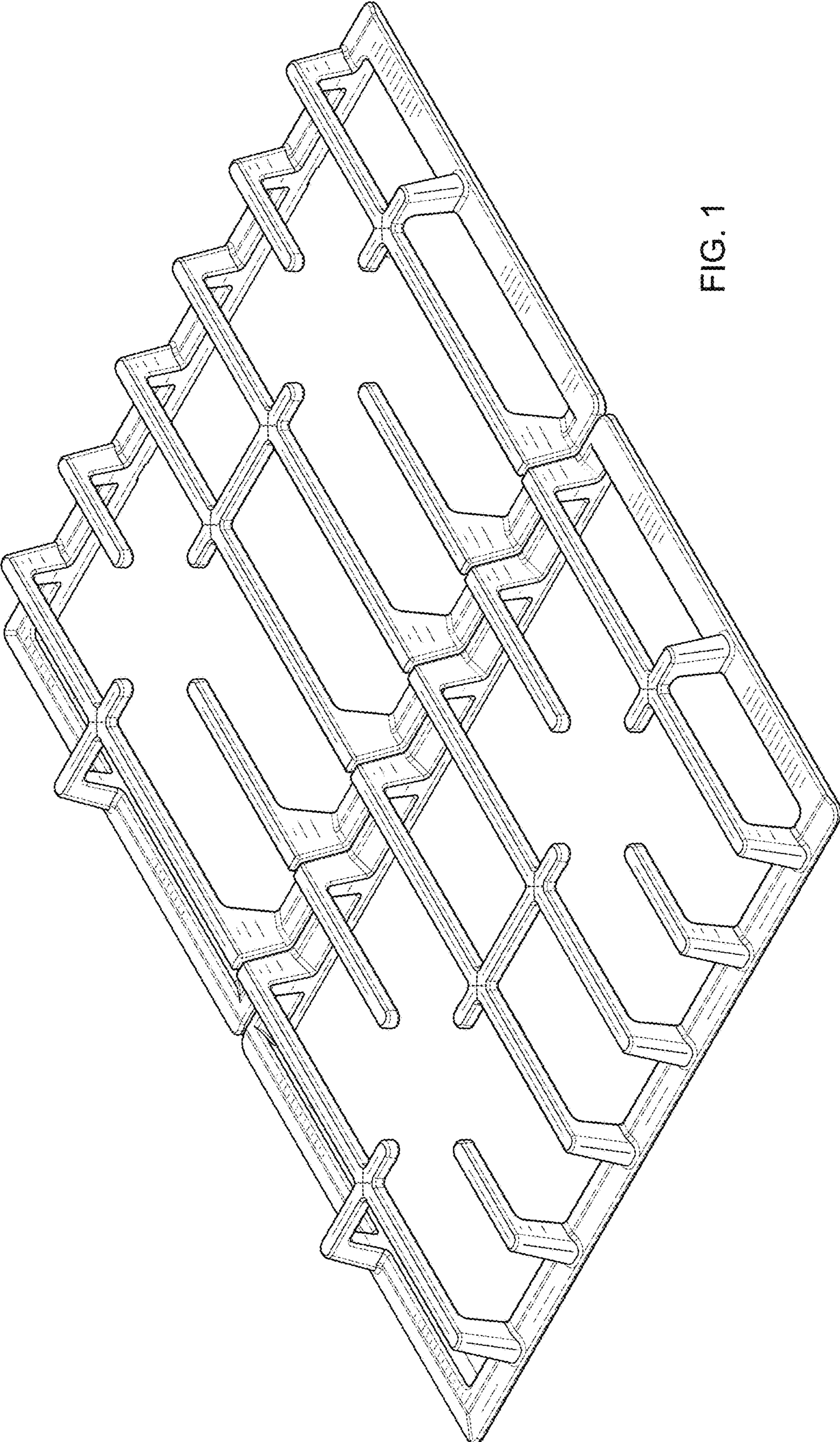


FIG. 1

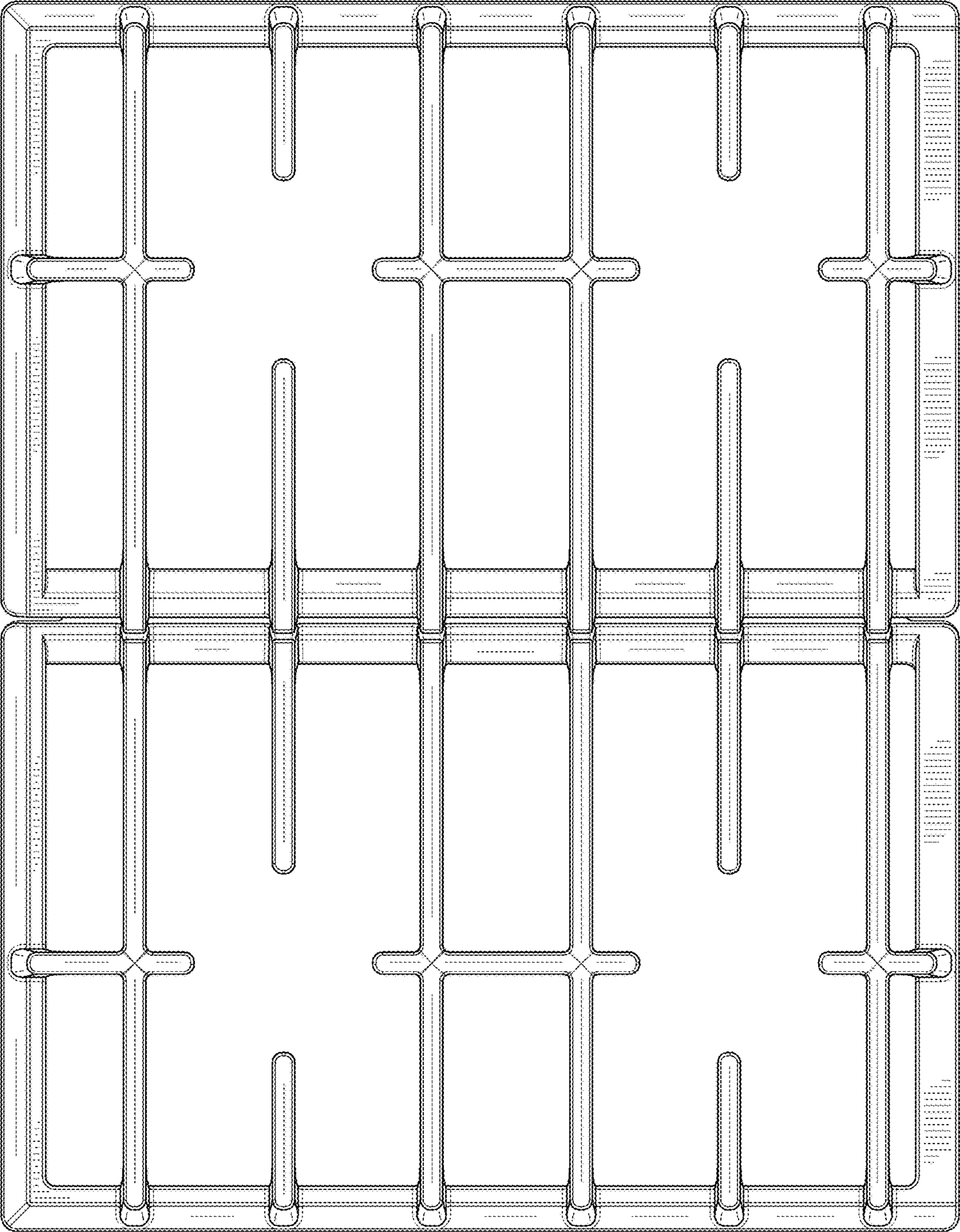
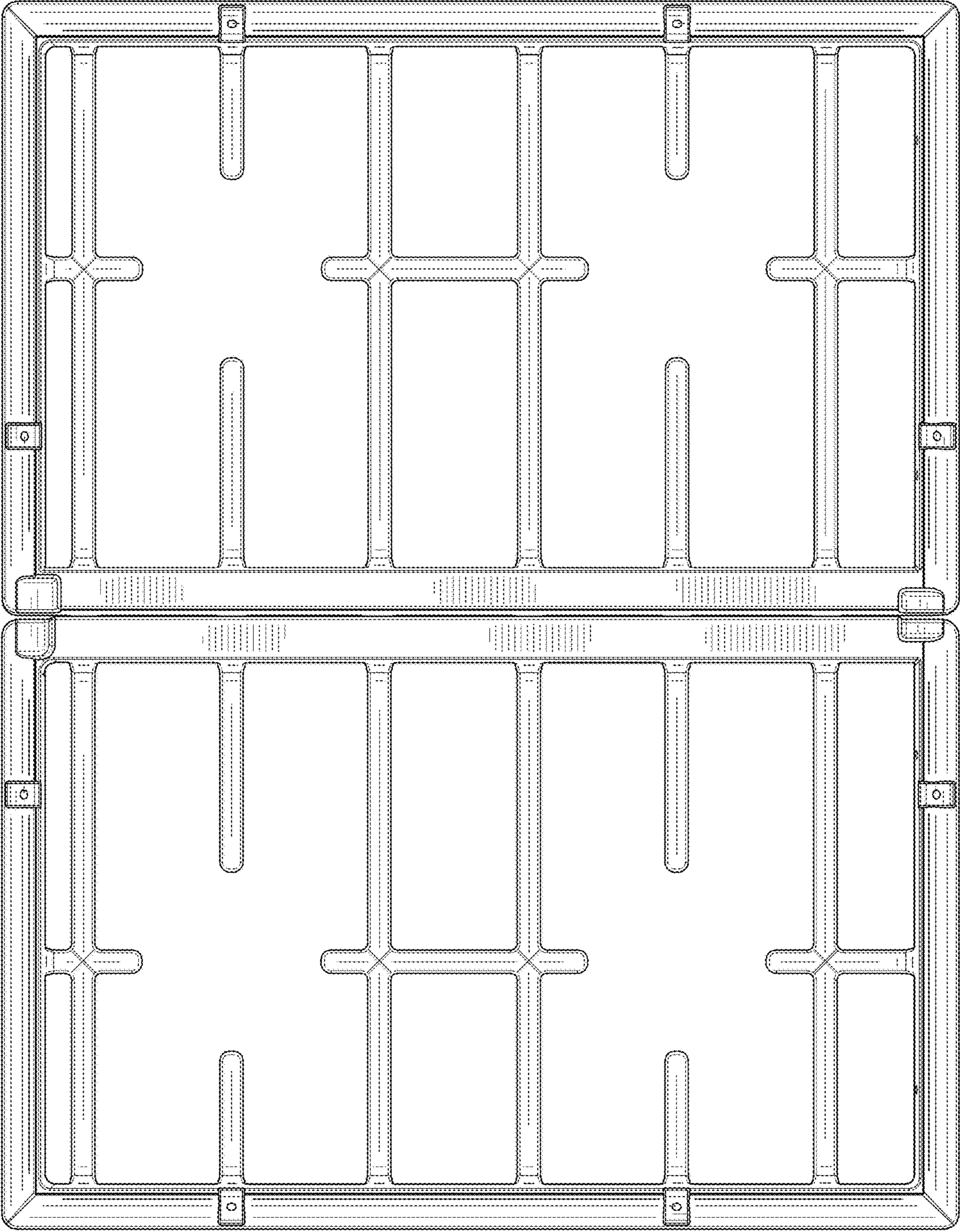
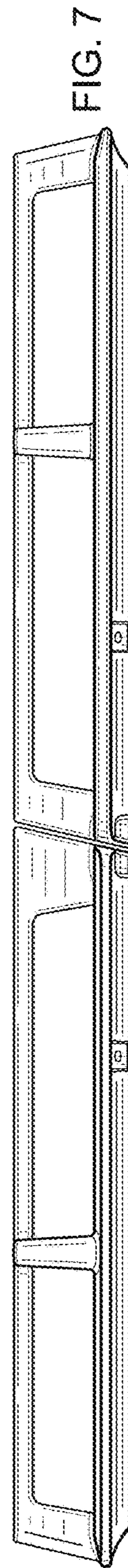
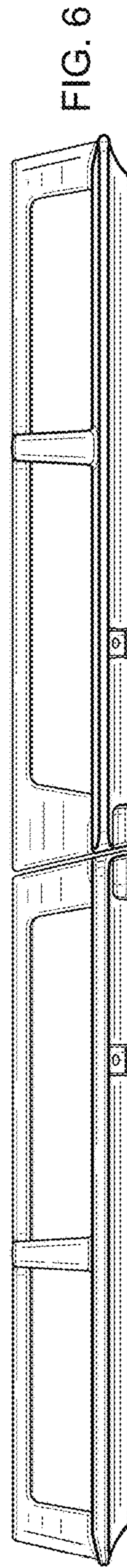
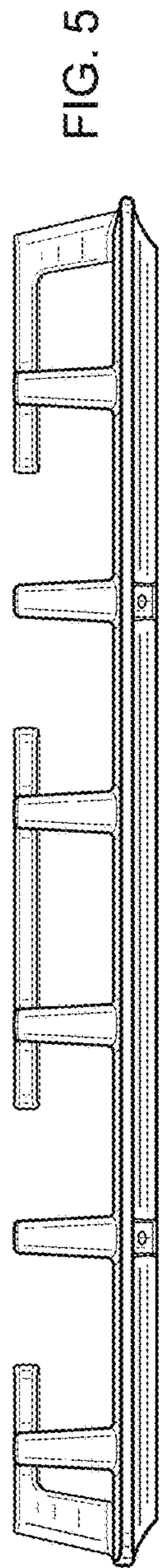
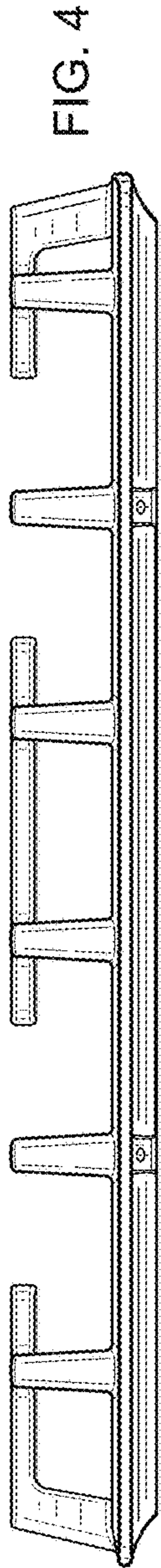


FIG. 2

FIG. 3





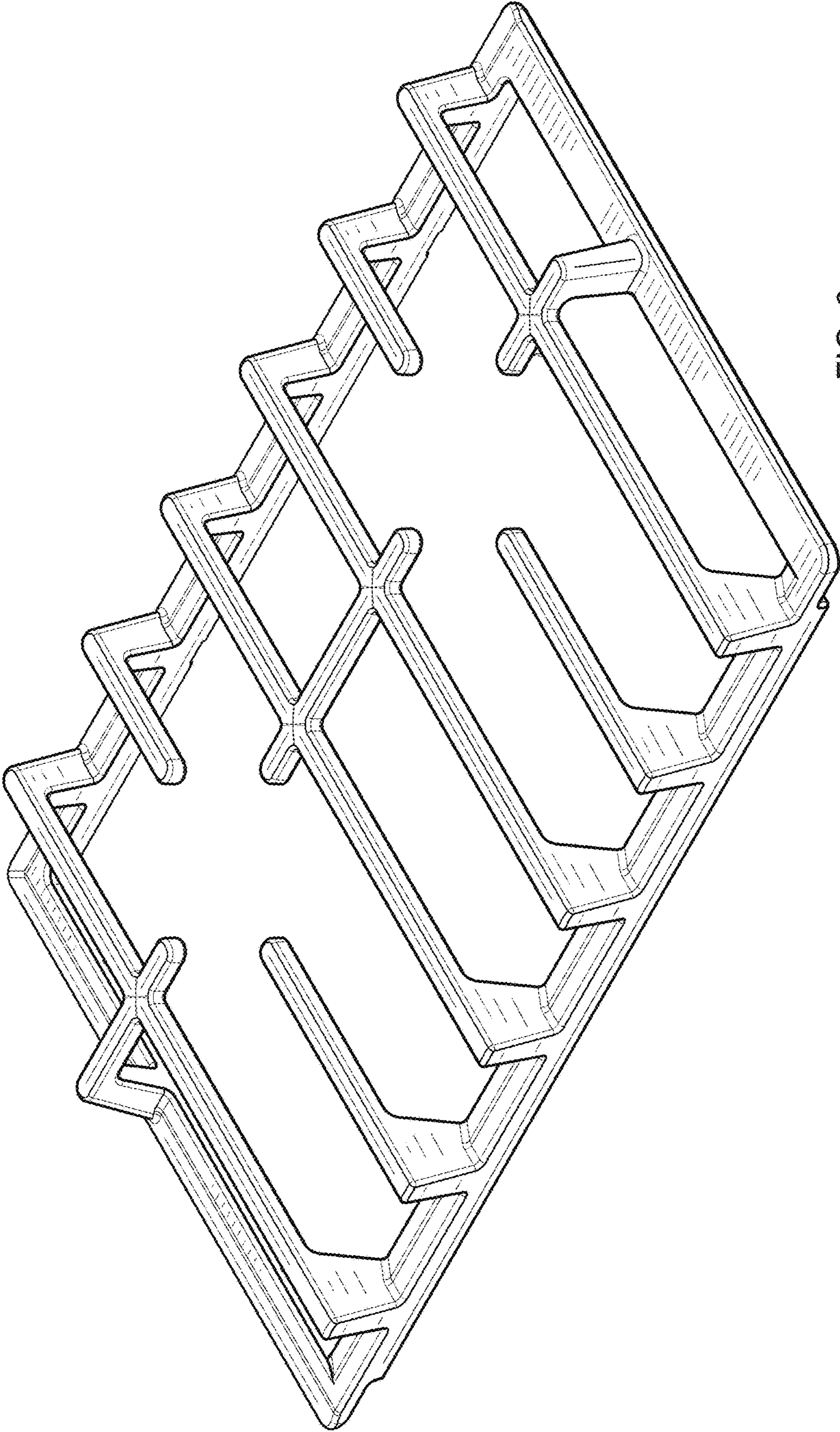


FIG. 8

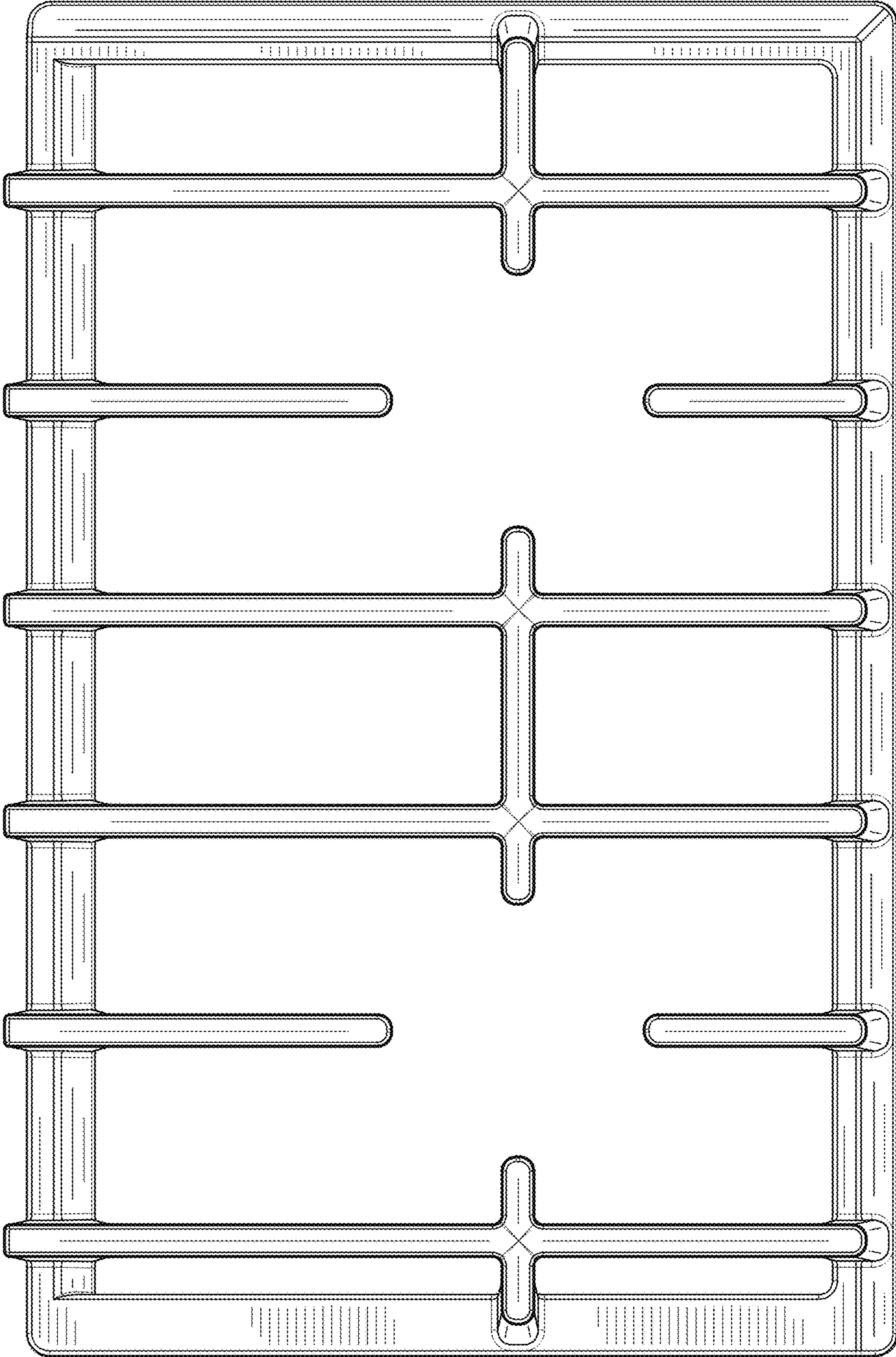


FIG. 9

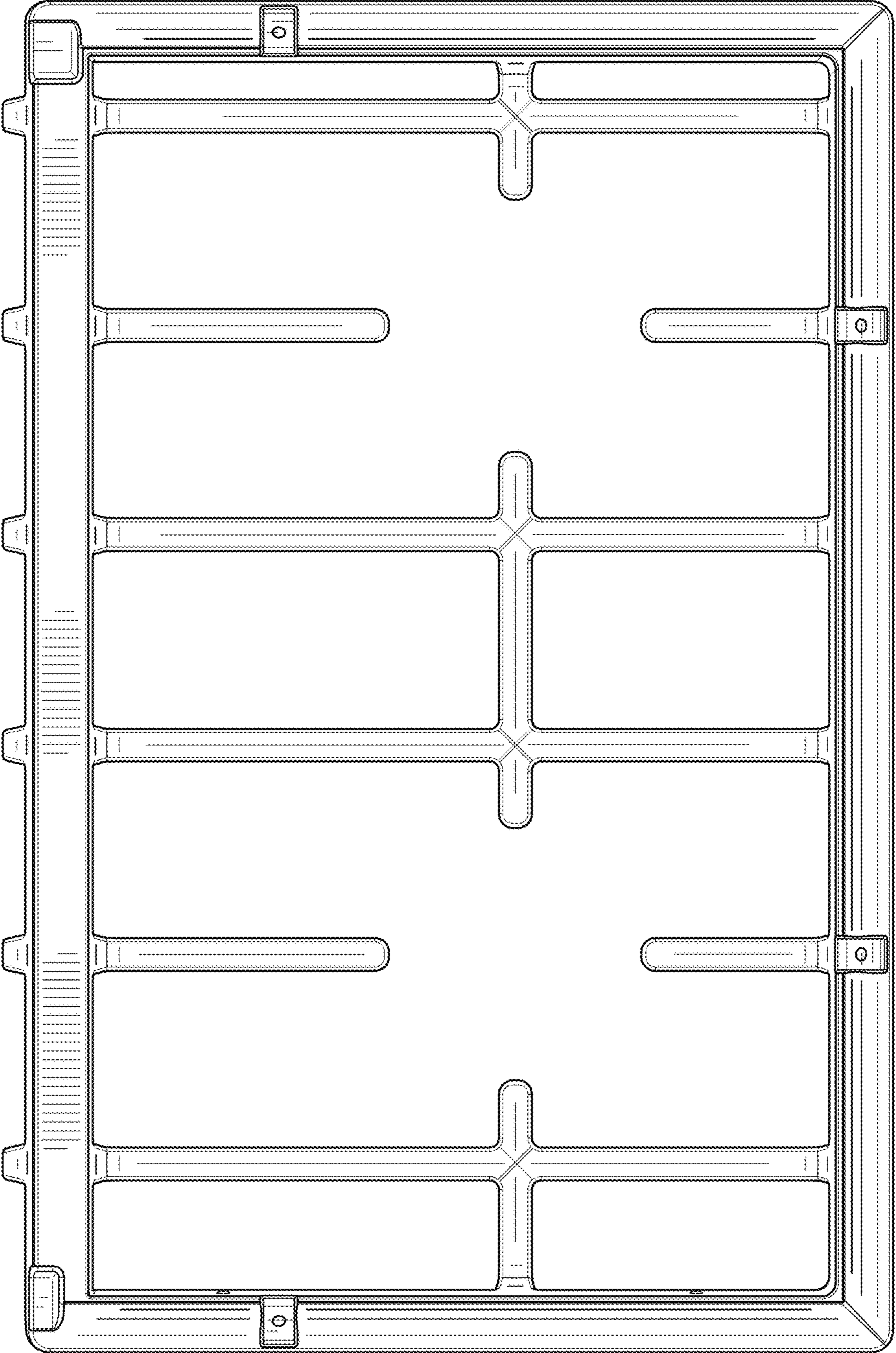


FIG. 10

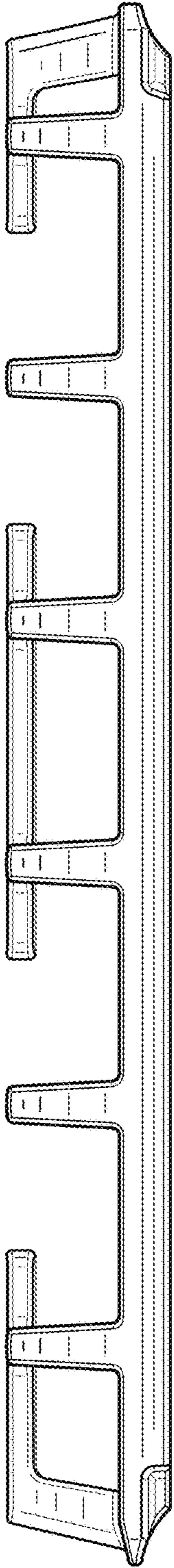


FIG. 11

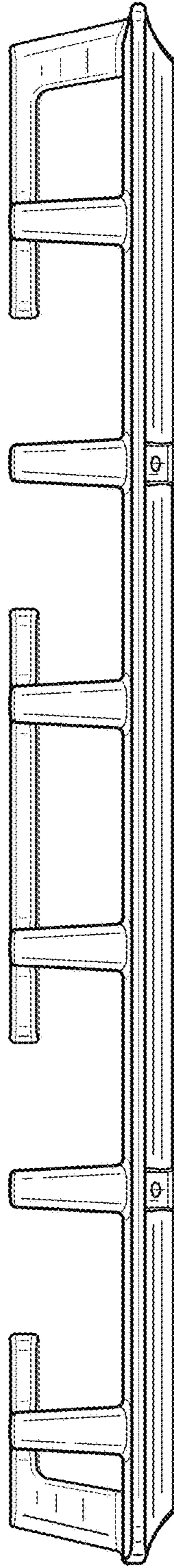


FIG. 12

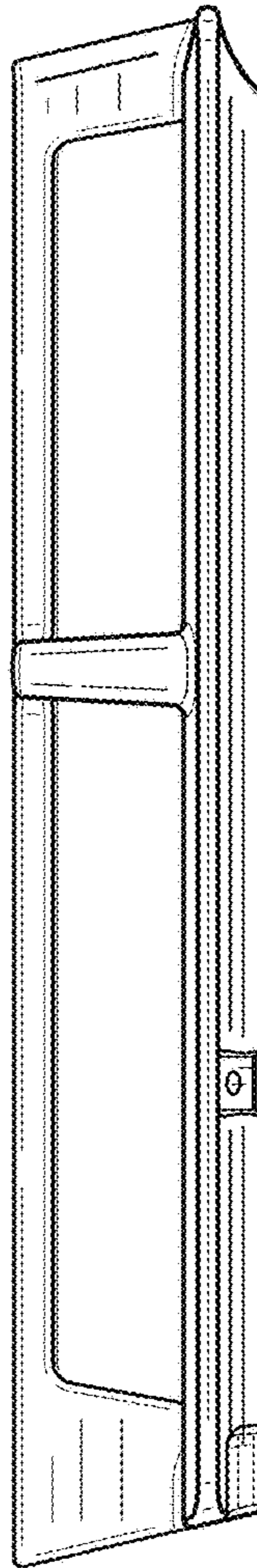


FIG. 13

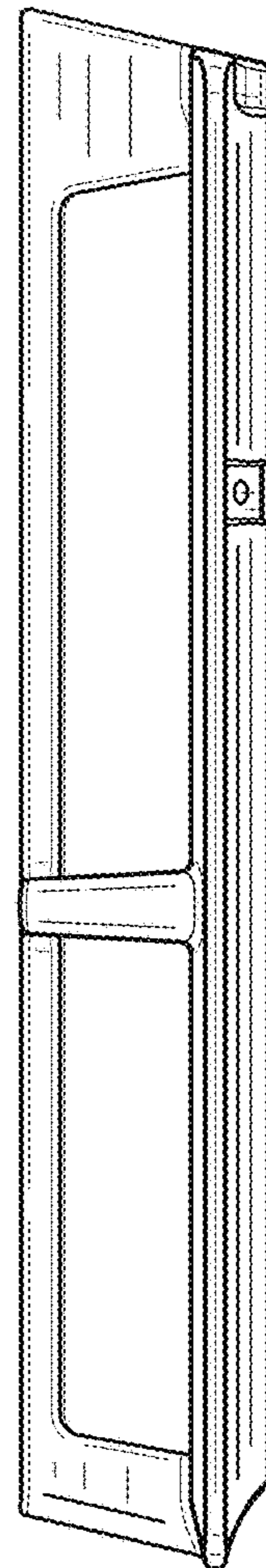


FIG. 14

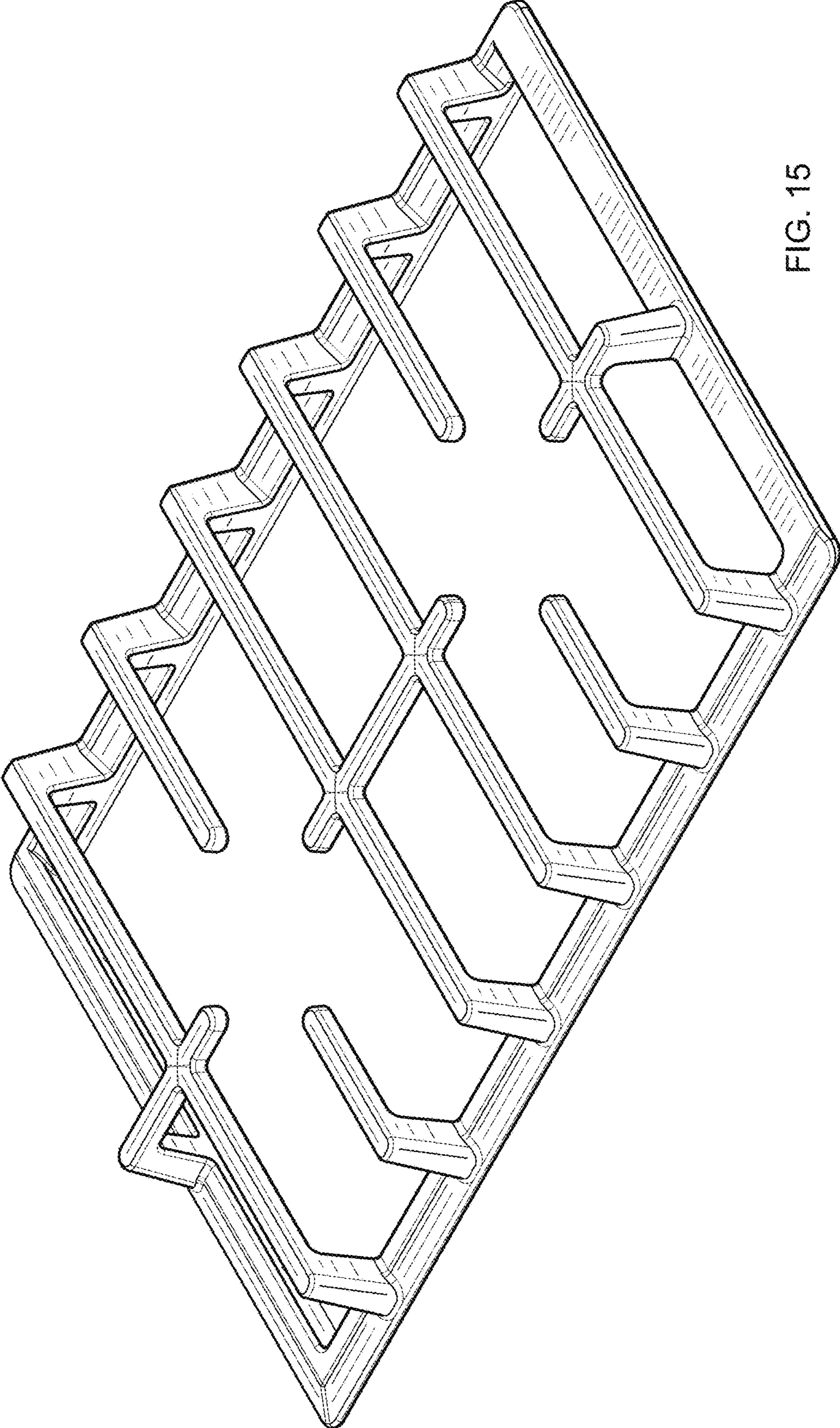


FIG. 15

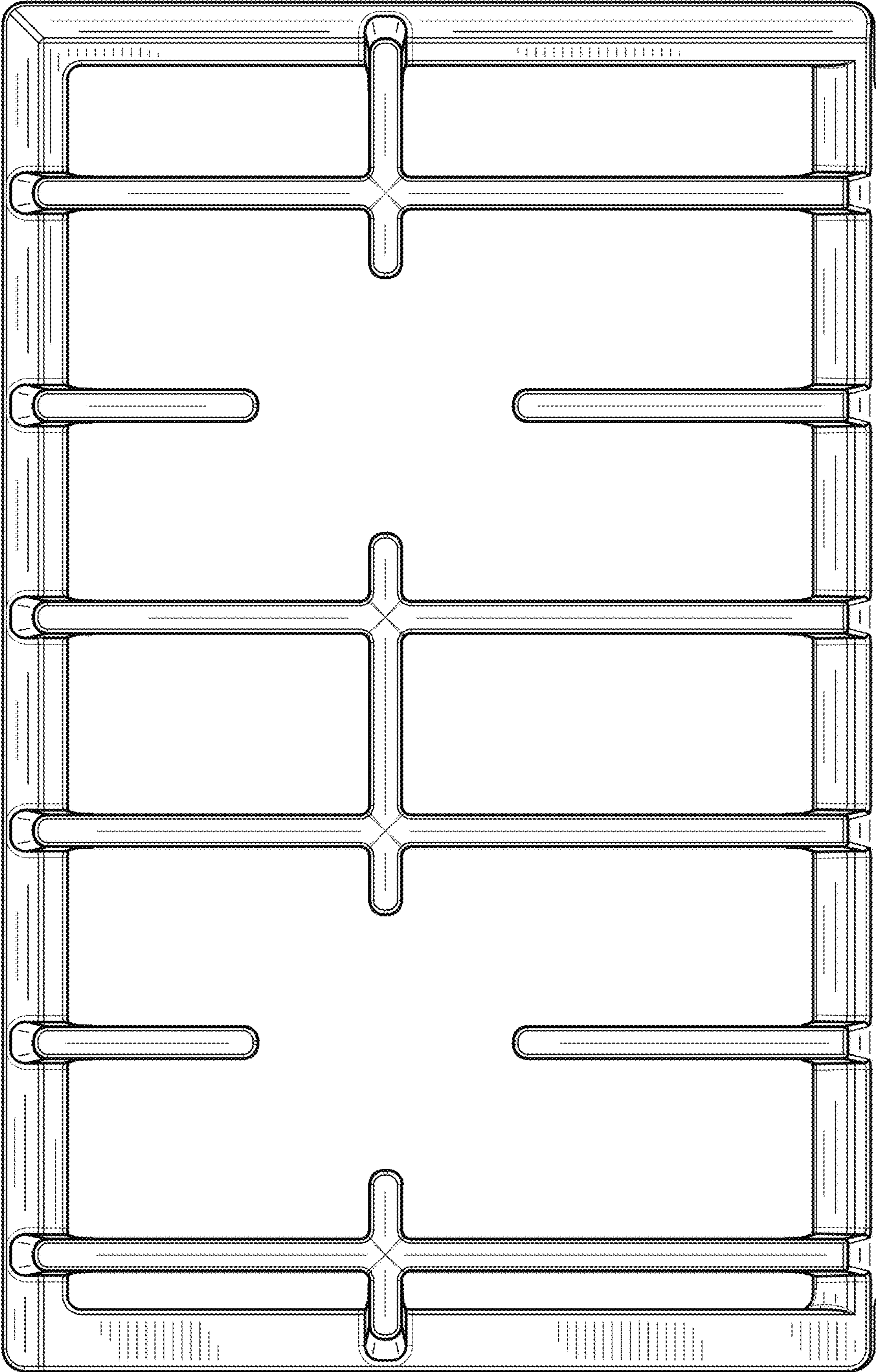


FIG. 16

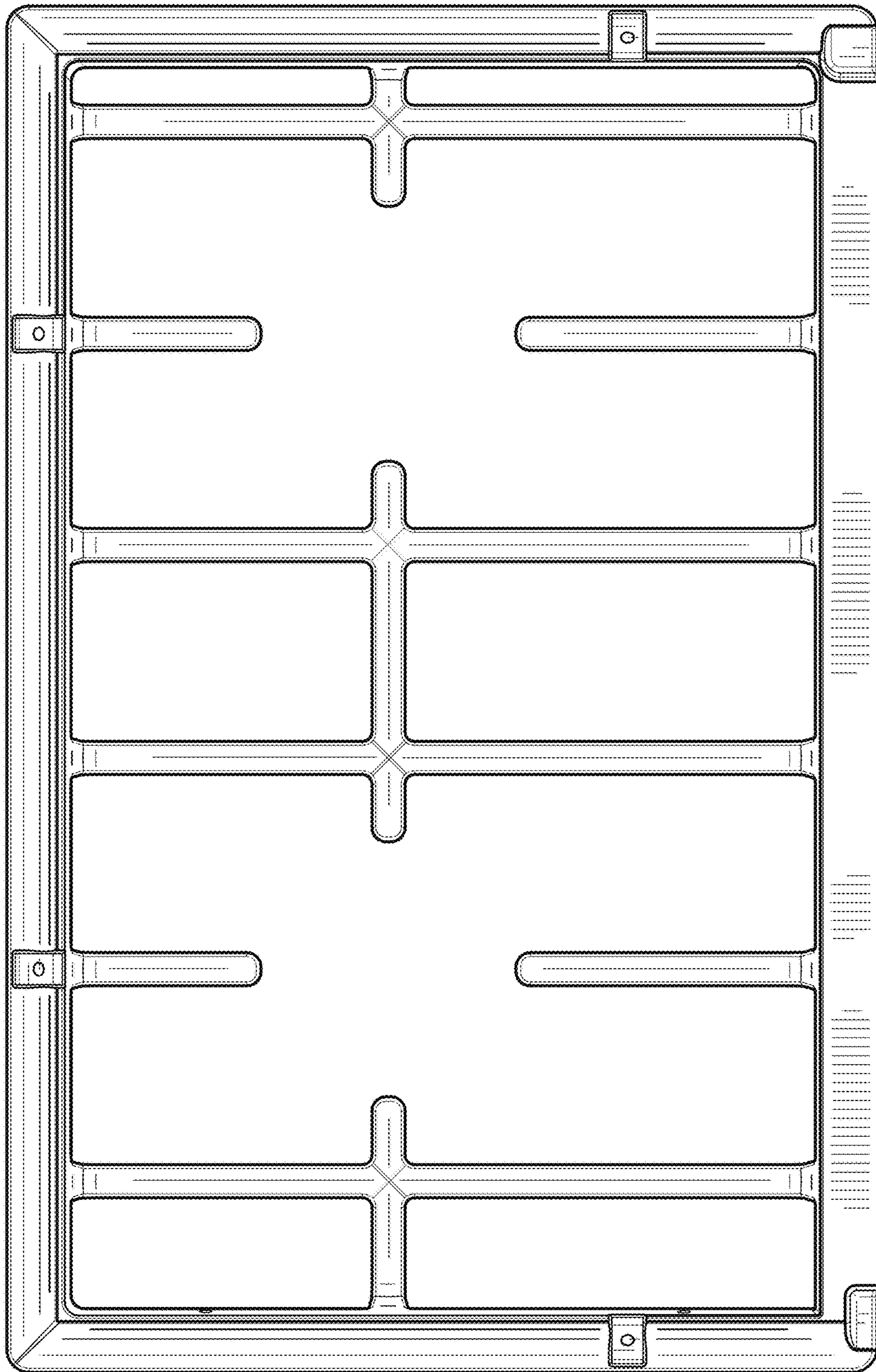


FIG. 17

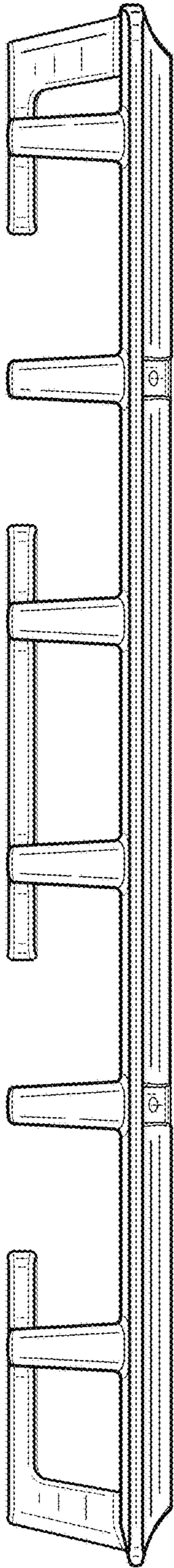


FIG. 18

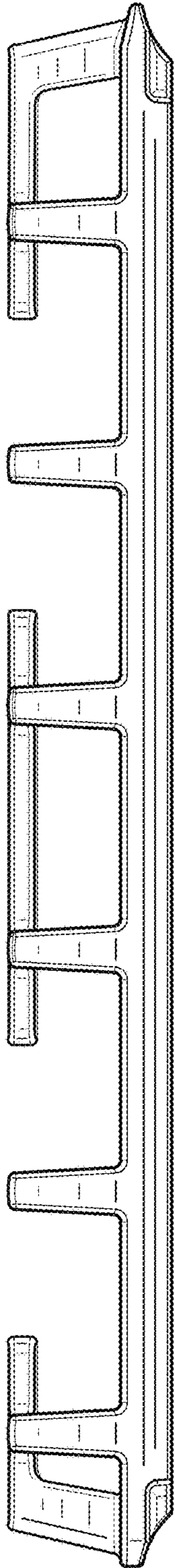


FIG. 19

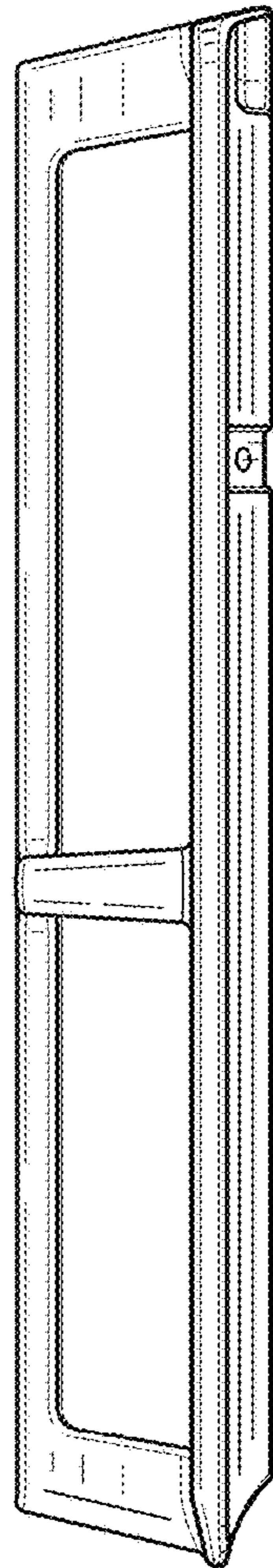


FIG. 20

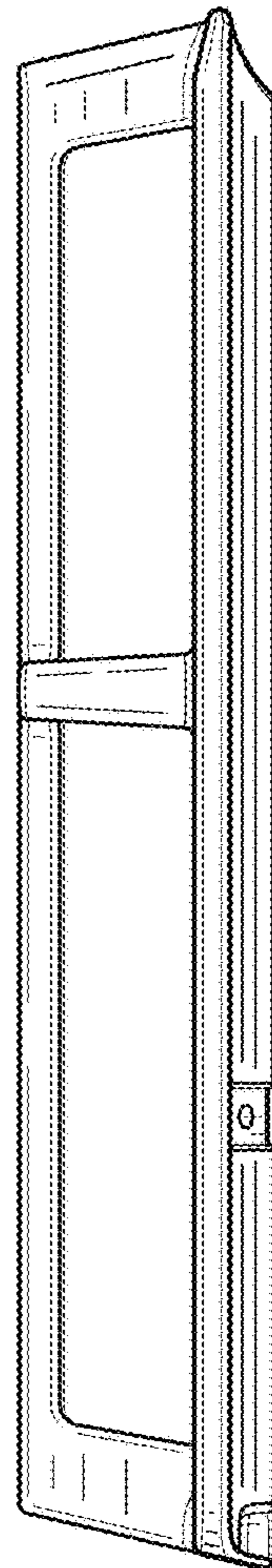


FIG. 21