



US00D840749S

(12) **United States Design Patent**  
**Zemel**

(10) **Patent No.:** **US D840,749 S**

(45) **Date of Patent:** **\*\* Feb. 19, 2019**

(54) **POT WITH A STAND**

(71) Applicant: **Mr. Bar-B-Q Products LLC**, Melville,  
NY (US)

(72) Inventor: **Marc Zemel**, Melville, NY (US)

(73) Assignee: **MR. BAR-B-Q PRODUCTS LLC**,  
Melville, NY (US)

(\*\*) Term: **15 Years**

(21) Appl. No.: **29/635,776**

(22) Filed: **Feb. 2, 2018**

(51) **LOC (11) Cl.** ..... **07-02**

(52) **U.S. Cl.**  
USPC ..... **D7/395**

(58) **Field of Classification Search**  
USPC ..... D7/354-361, 393-395, 401.2, 664;  
D8/107, 300, 303, 307, 313, 321;  
D4/138, 129  
CPC ..... A47J 45/00; A47J 45/06; A47J 45/061;  
A47J 45/62; A47J 45/071; A47J 45/072;  
A47J 45/08; A47J 45/085  
See application file for complete search history.

(56) **References Cited**

**U.S. PATENT DOCUMENTS**

- 1,943,585 A \* 1/1934 Cummins ..... A47J 45/071  
126/9 B
- 3,297,349 A \* 1/1967 Pryce ..... A47J 45/071  
220/759
- D308,457 S \* 6/1990 Bleiler ..... D7/394
- D338,804 S \* 8/1993 Crawford ..... D7/393
- D344,433 S \* 2/1994 Philippe ..... D7/393

- D394,186 S \* 5/1998 Dodane ..... D7/395
- D510,232 S \* 10/2005 Varcelli ..... D7/393
- 8,627,550 B1 \* 1/2014 Chung ..... A47J 45/00  
16/422
- D704,996 S \* 5/2014 Wright ..... D7/395
- D828,715 S \* 9/2018 Mishan ..... D7/361
- D829,038 S \* 9/2018 Mishan ..... D7/361
- D831,408 S \* 10/2018 Tsai ..... D7/361
- D831,418 S \* 10/2018 Kastner ..... D7/395

\* cited by examiner

*Primary Examiner* — Cynthia M. Chin

(74) *Attorney, Agent, or Firm* — Carter, Deluca, Farrell &  
Schmidt, LLP

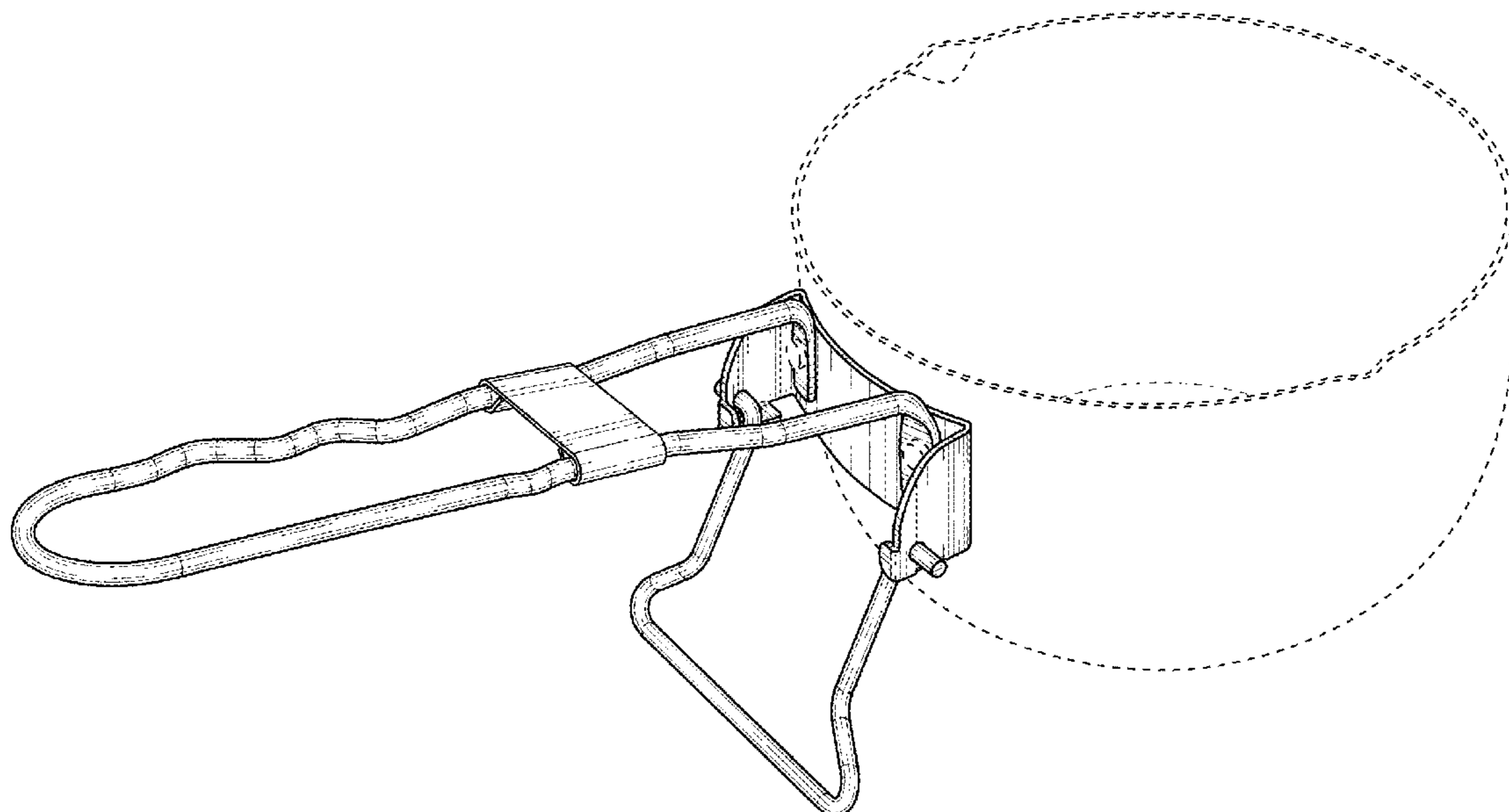
(57) **CLAIM**

The ornamental design for a pot with a stand, as shown and described.

**DESCRIPTION**

FIG. 1 is a perspective view of a pot with a stand in an open configuration in accordance with the present design; FIG. 2 is a right side elevational view thereof; FIG. 3 is a left side elevational view thereof; FIG. 4 is a front elevational view thereof; FIG. 5 is a rear elevational view thereof; FIG. 6 is a top plan view thereof; FIG. 7 is a bottom plan view thereof; FIG. 8 is a rear perspective view thereof; and, FIG. 9 is a rear perspective view of the pot with a stand in a closed configuration in accordance with the present design. The broken lines shown in the drawings illustrate portions of the pot with a stand that form no part of the claimed design.

**1 Claim, 8 Drawing Sheets**



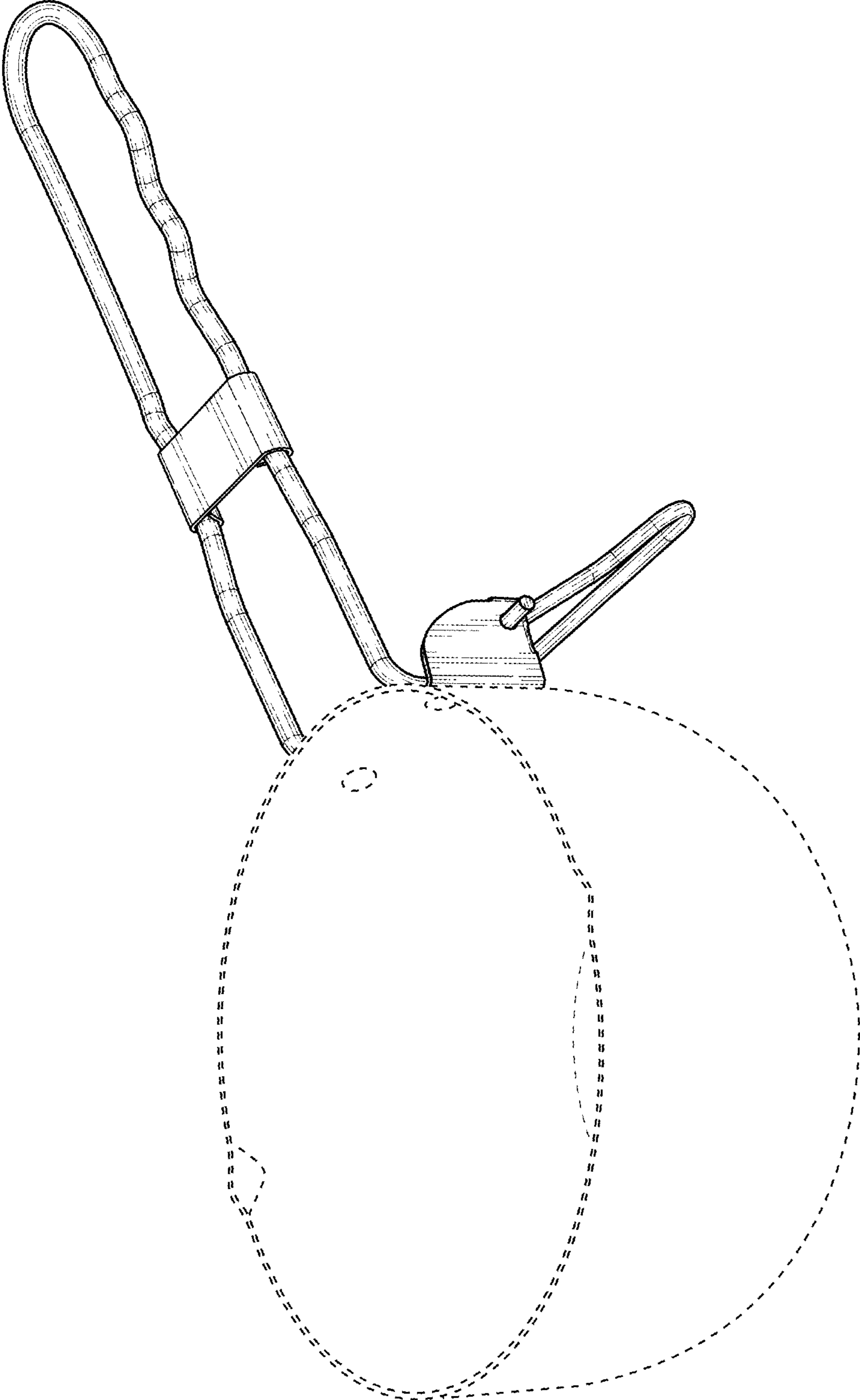


FIG. 1

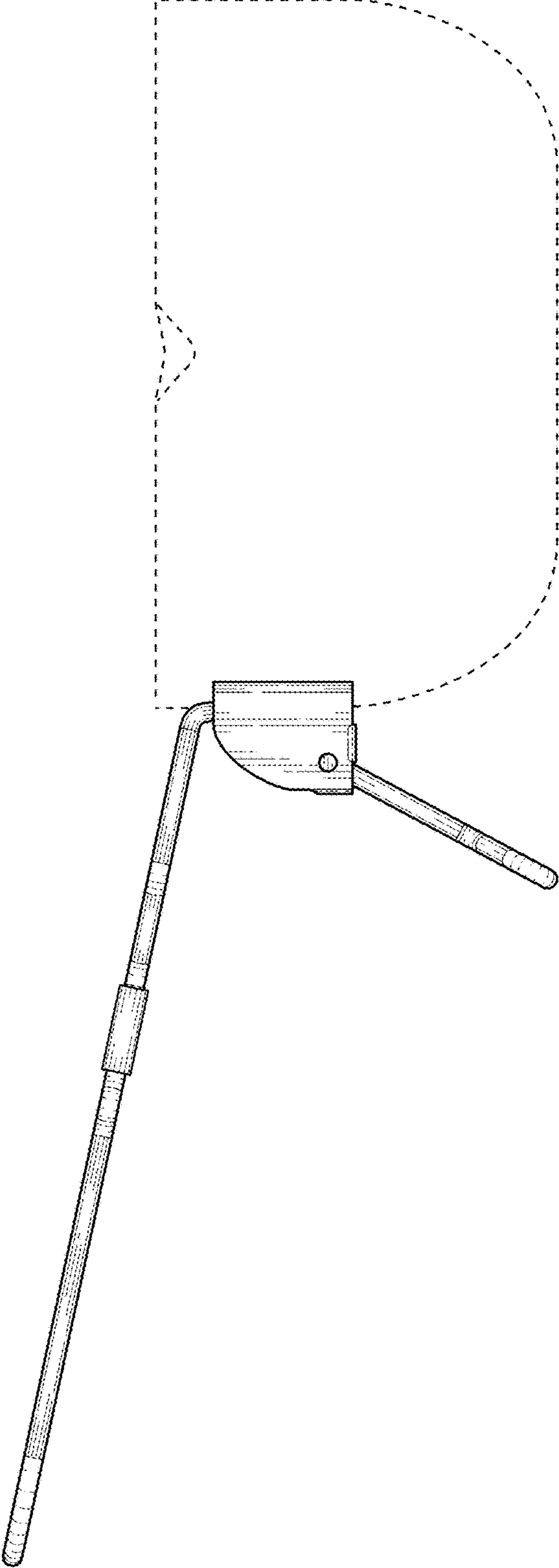


FIG. 2

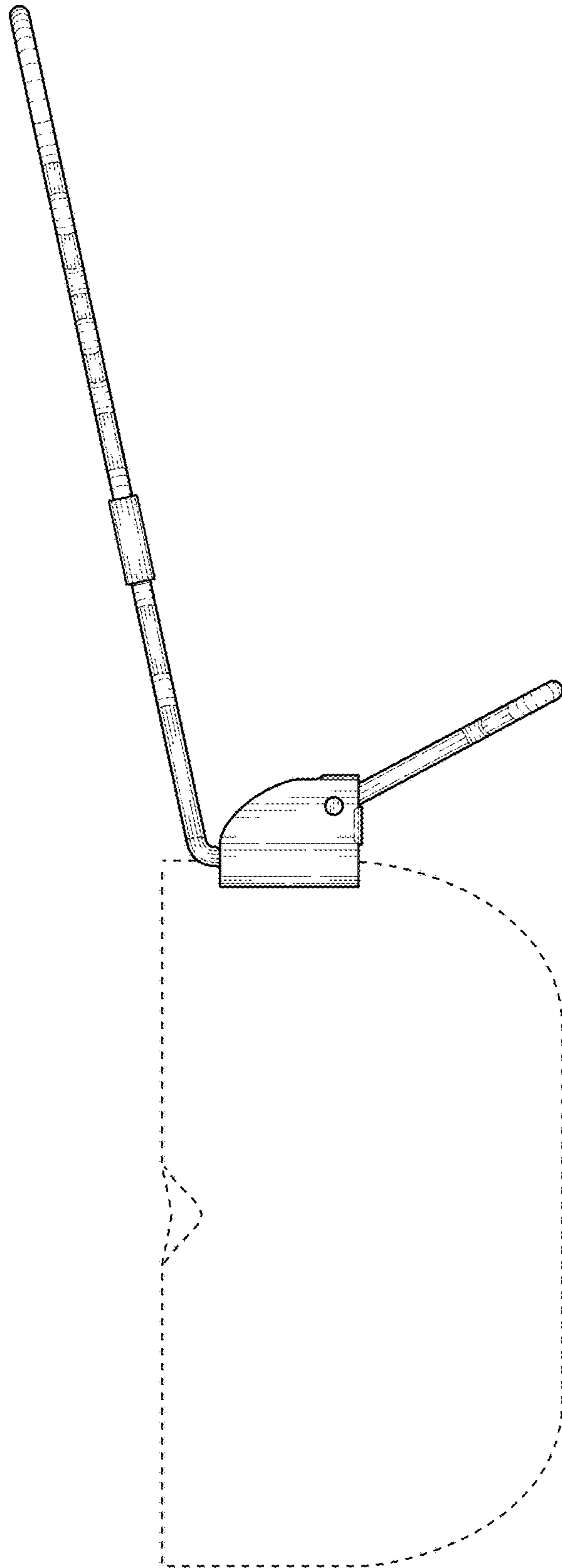


FIG. 3

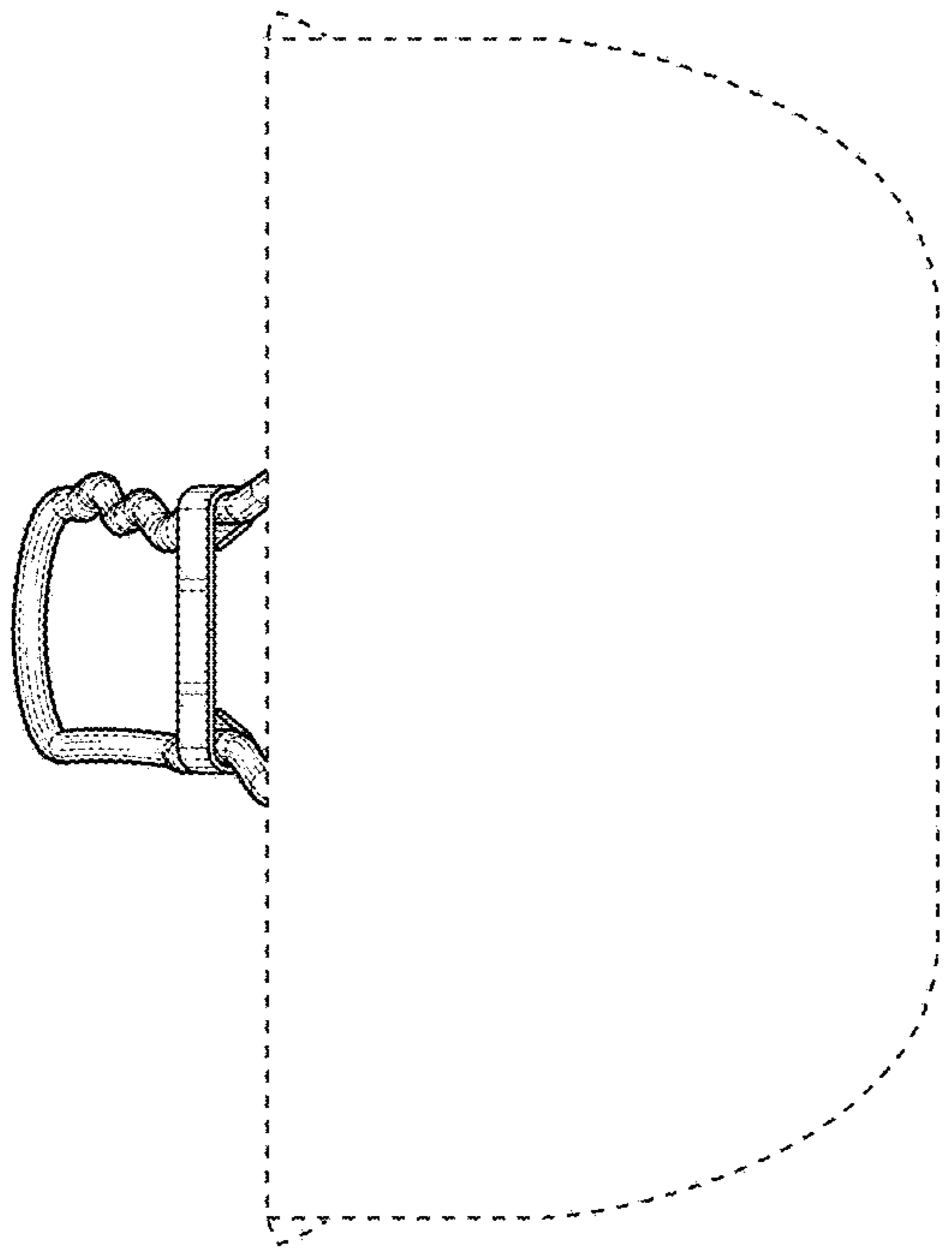


FIG. 4

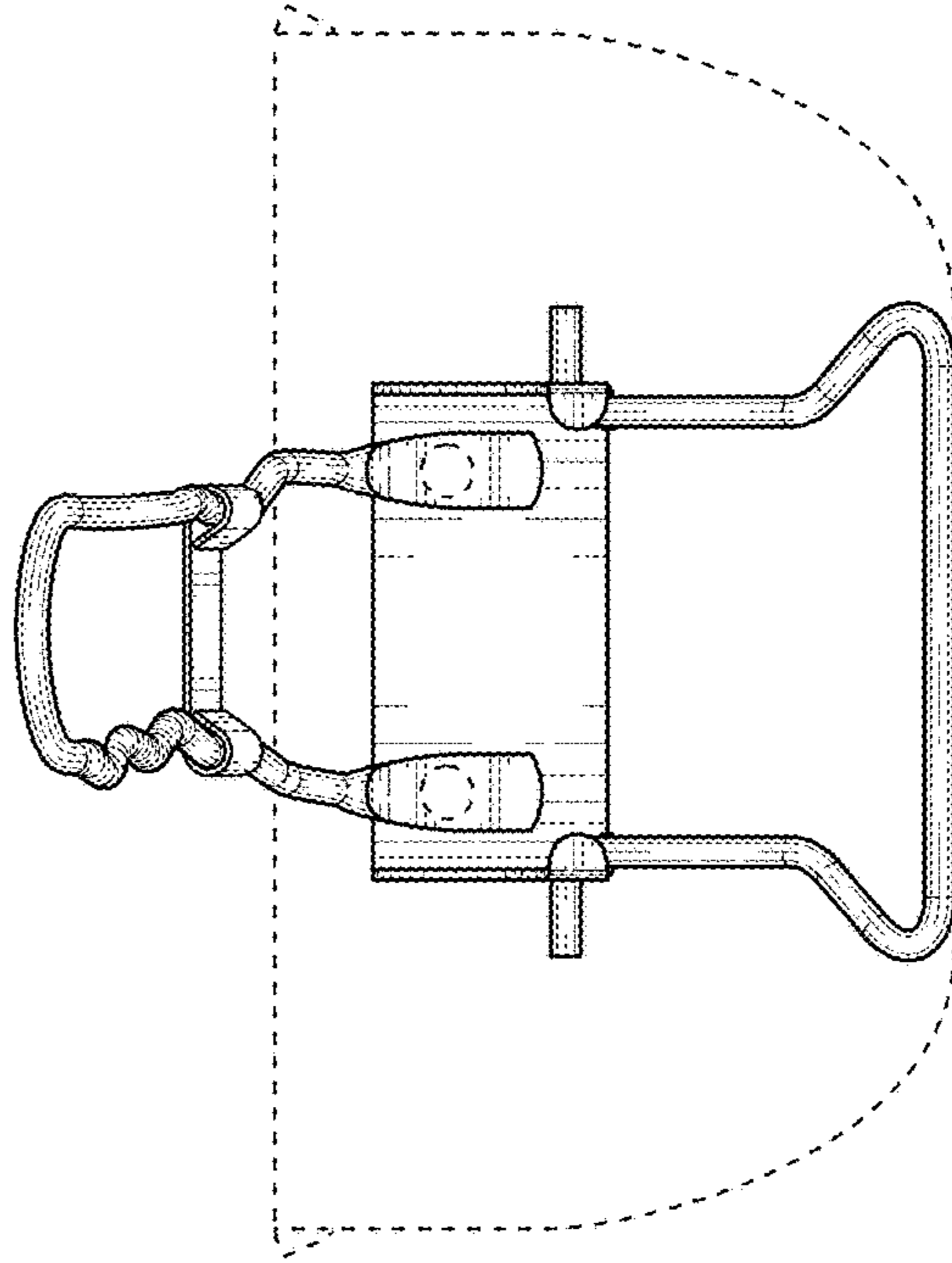


FIG. 5

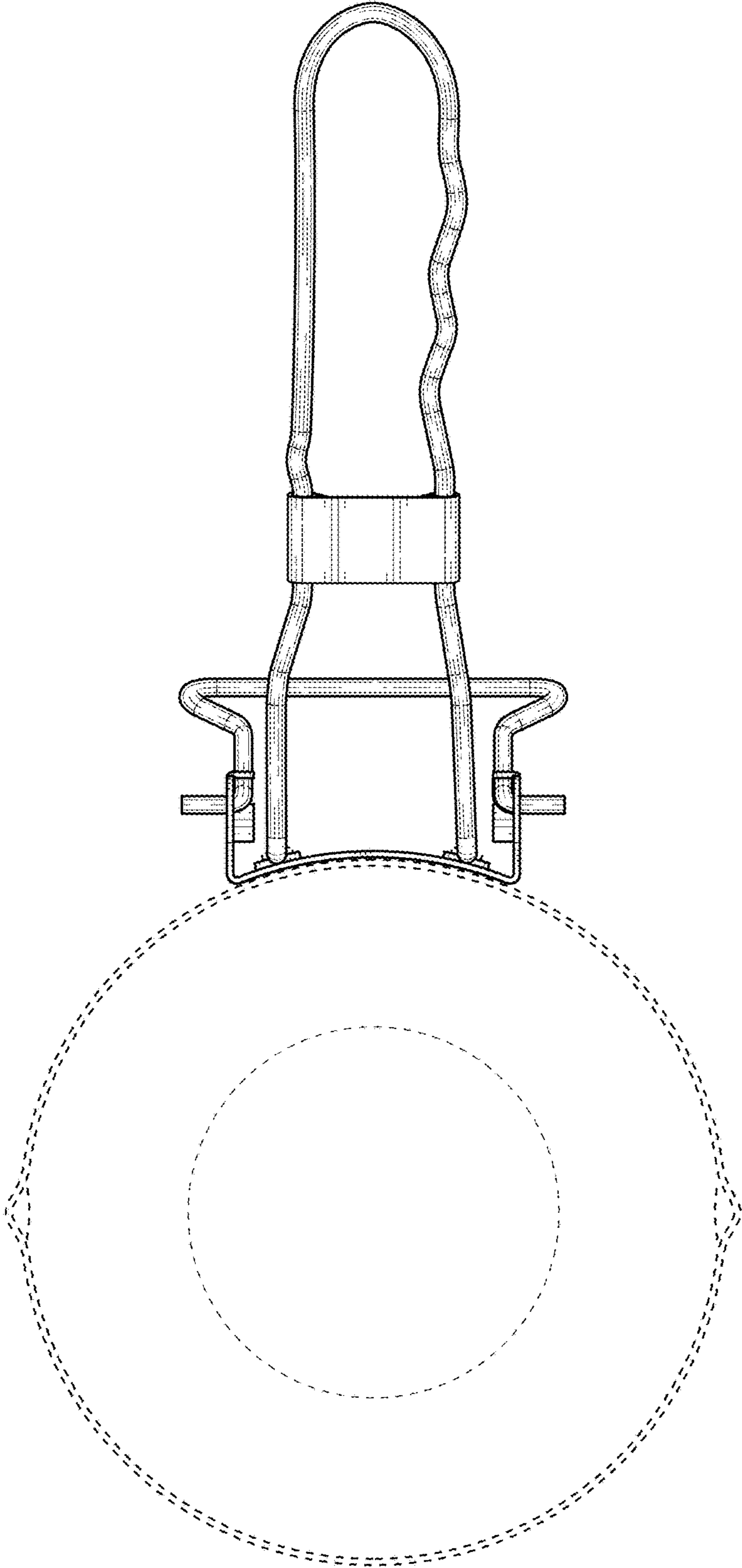


FIG. 6

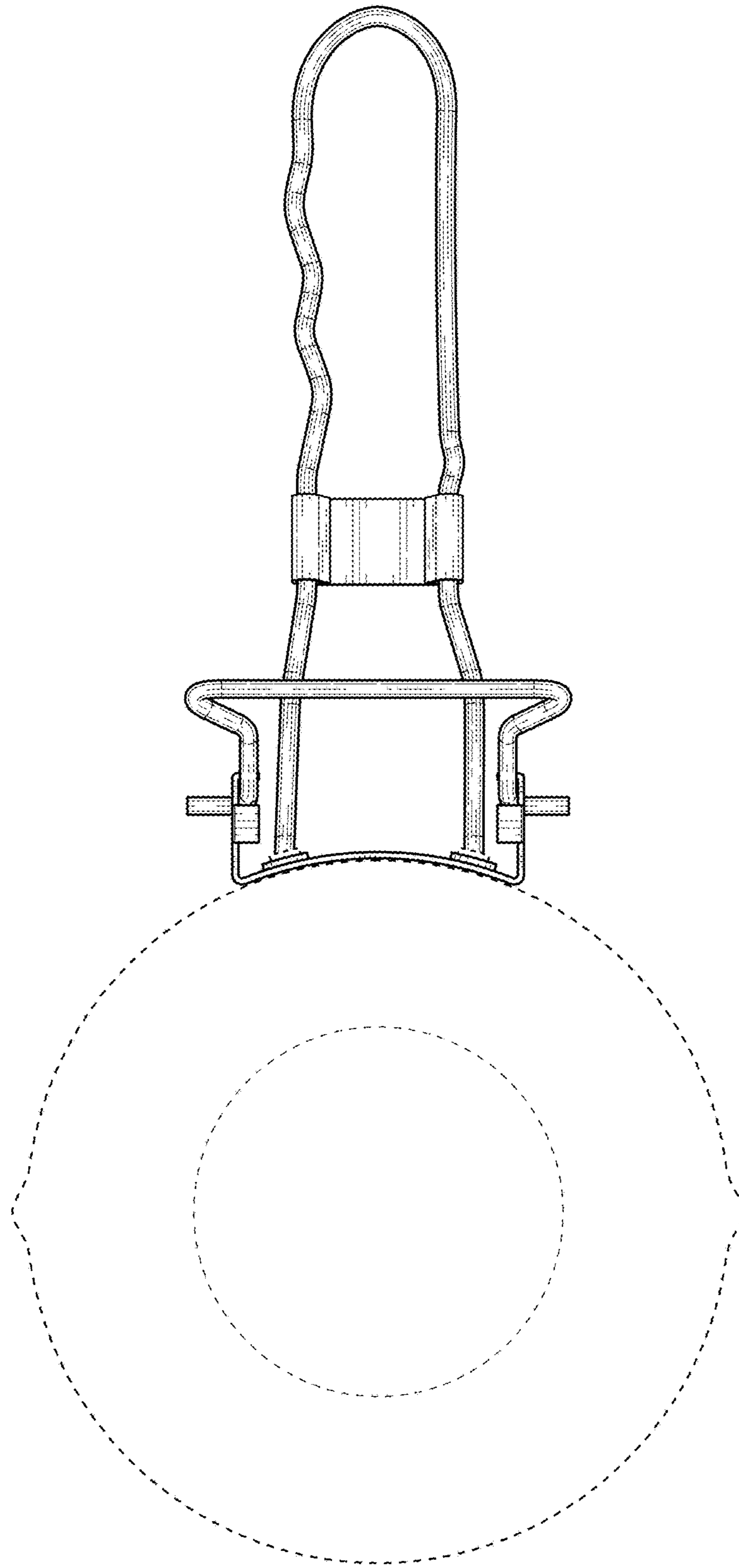


FIG. 7

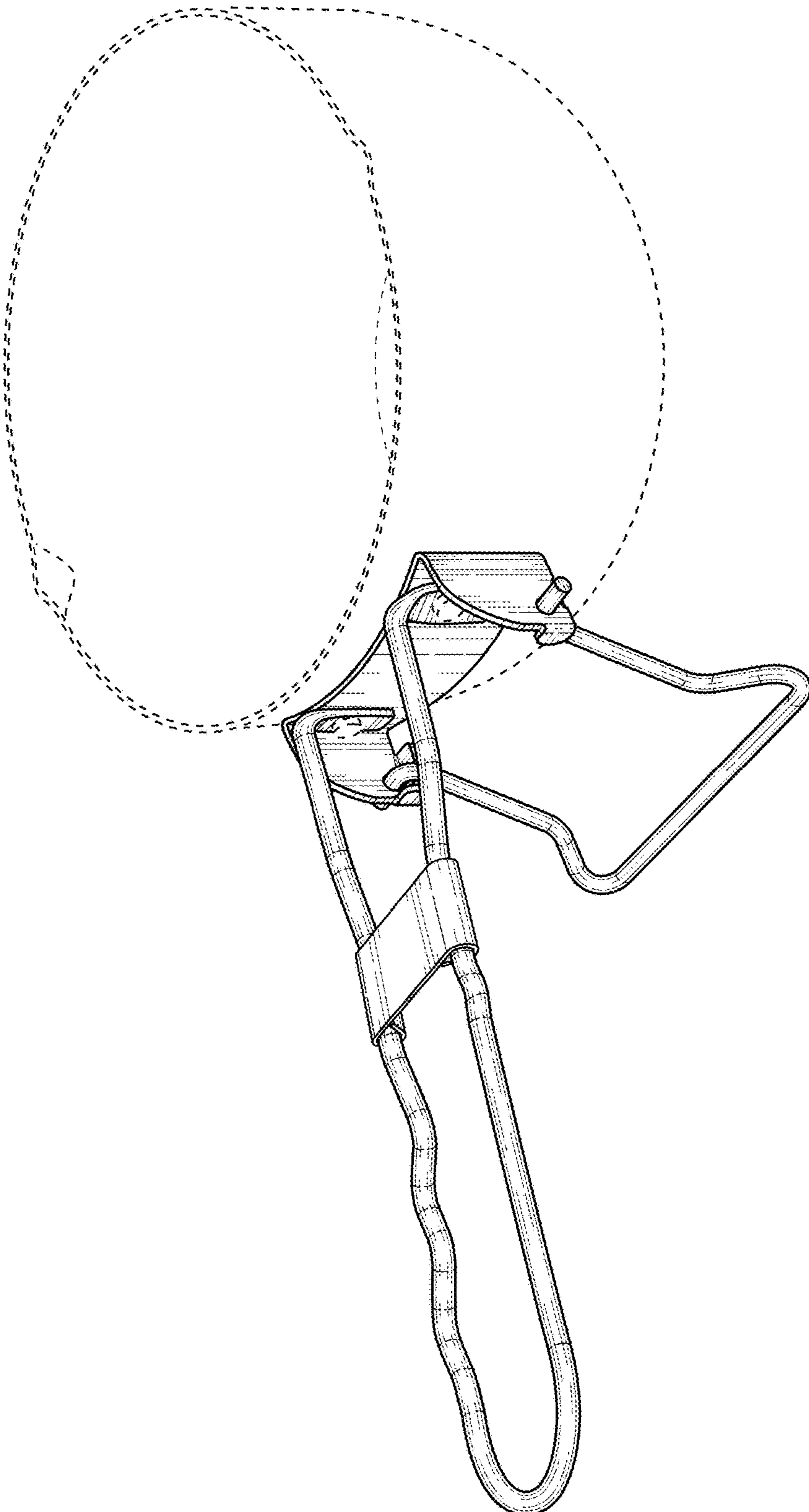


FIG. 8



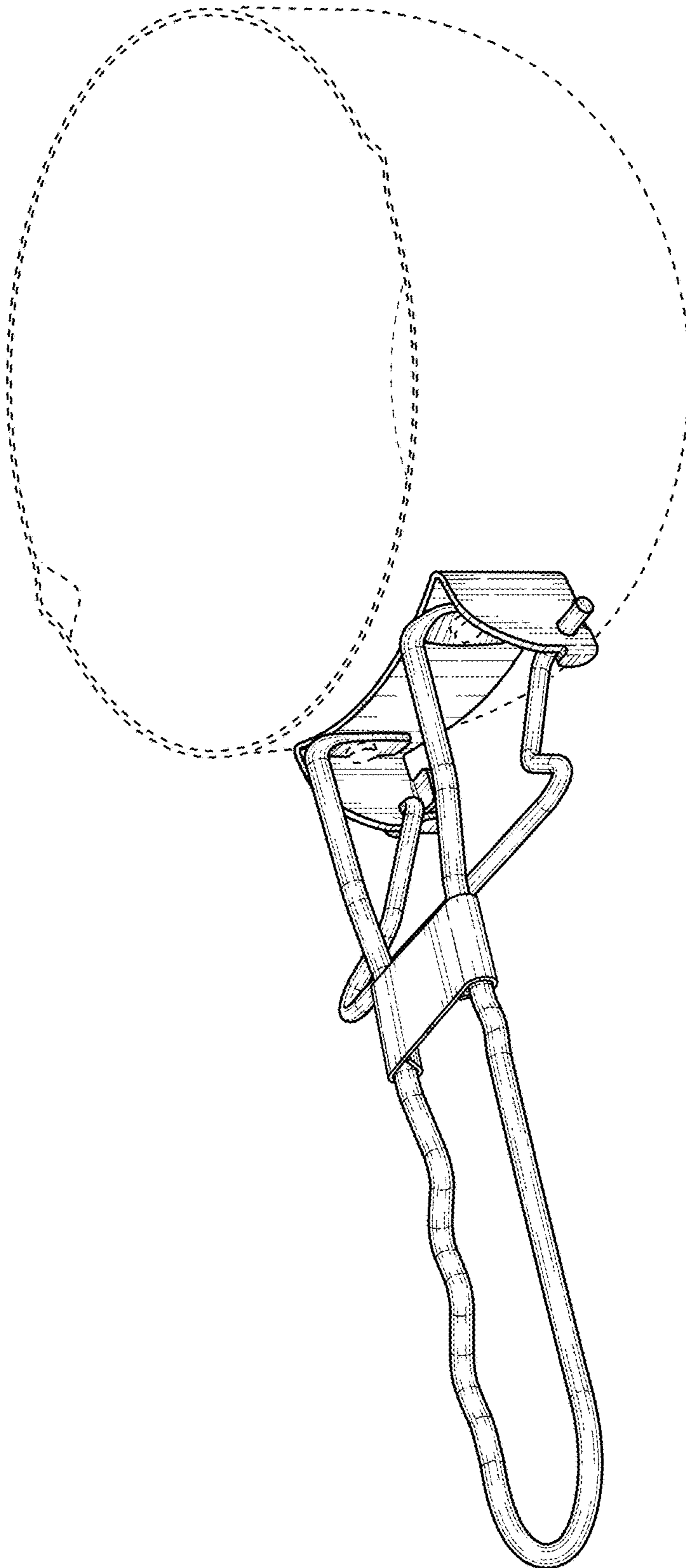


FIG. 9