



US00D840744S

(12) **United States Design Patent** (10) **Patent No.:** **US D840,744 S**
Lights (45) **Date of Patent:** **** Feb. 19, 2019**

(54) **COOKING POT**
(71) Applicant: **Baron Lights**, Locust Grove, GA (US)
(72) Inventor: **Baron Lights**, Locust Grove, GA (US)
(**) Term: **15 Years**
(21) Appl. No.: **29/613,120**
(22) Filed: **Aug. 8, 2017**
(51) **LOC (11) Cl.** **07-02**
(52) **U.S. Cl.**
USPC **D7/360; D7/354**
(58) **Field of Classification Search**
USPC D7/323, 354-363, 391, 393-396, 409,
D7/543; D10/46.2
CPC . A47G 19/12; A47J 27/00; A47J 27/02; A47J
27/002; A47J 27/04; A47J 27/08; A47J
27/21; A47J 27/58; A47J 36/025; A47J
36/02; A47J 36/06; A47J 36/12; A47J
37/00; A47J 37/10; A47J 37/101; A47J
37/103; A47J 37/12; A47J 37/1204; A47J
45/061; A47J 45/071; A47J 45/08; H05B
6/12
See application file for complete search history.

5,620,255 A 4/1997 Cook, III
D395,787 S * 7/1998 Wilks D7/357
6,263,732 B1 7/2001 Hoeting
D562,621 S * 2/2008 Kloppsteck D7/360
D568,678 S 5/2008 Stattmann
D580,213 S * 11/2008 Pawson D7/360
D618,491 S * 6/2010 Welk D7/354
D659,462 S * 5/2012 Hundley D7/354
D677,124 S * 3/2013 Montgomery D7/360
D743,279 S * 11/2015 Schwartz D10/46.2
D764,857 S * 8/2016 McConnell D7/354
2003/0154612 A1 8/2003 Petri
2003/0169801 A1 9/2003 Chilton
2007/0237203 A1 10/2007 Gipson

FOREIGN PATENT DOCUMENTS

WO 0181874 A1 11/2001

* cited by examiner

Primary Examiner — Ricky Pham

(57) **CLAIM**

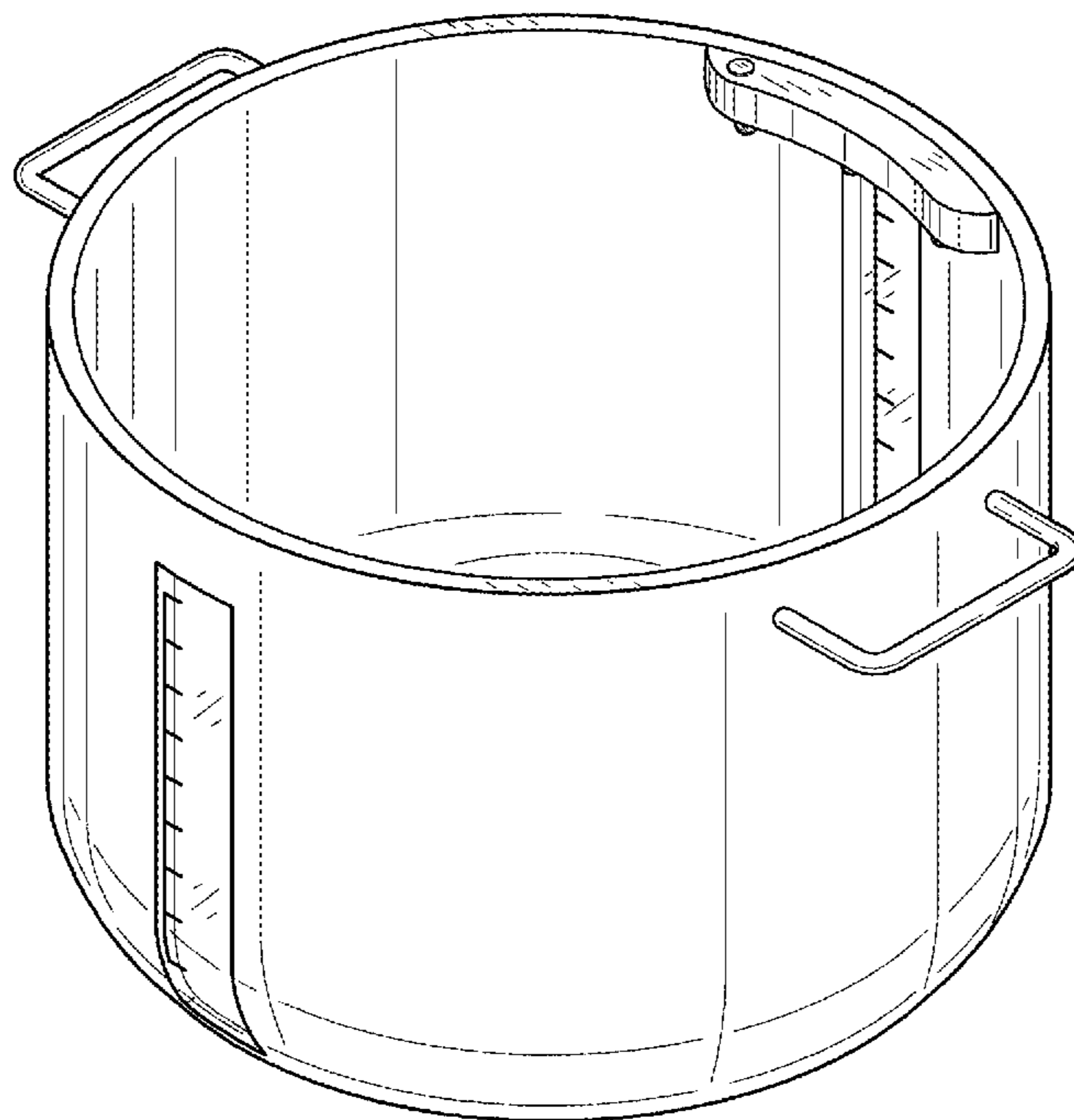
I claim the ornamental design for a cooking pot, as shown and described.

DESCRIPTION

FIG. 1 is a front view of the cooking pot.
FIG. 2 is a side view of the claimed design.
FIG. 3 is a top view of the claimed design.
FIG. 4 is a bottom view of the claimed design.
FIG. 5 is a perspective view of the claimed design; and,
FIG. 6 is a cross-sectional view of the claimed design along line 6-6 in FIG. 3.

(56) **References Cited**
U.S. PATENT DOCUMENTS
421,777 A 2/1890 Stanton
D178,512 S 8/1956 Foreman
D368,828 S * 4/1996 Thurlow D7/360

1 Claim, 4 Drawing Sheets



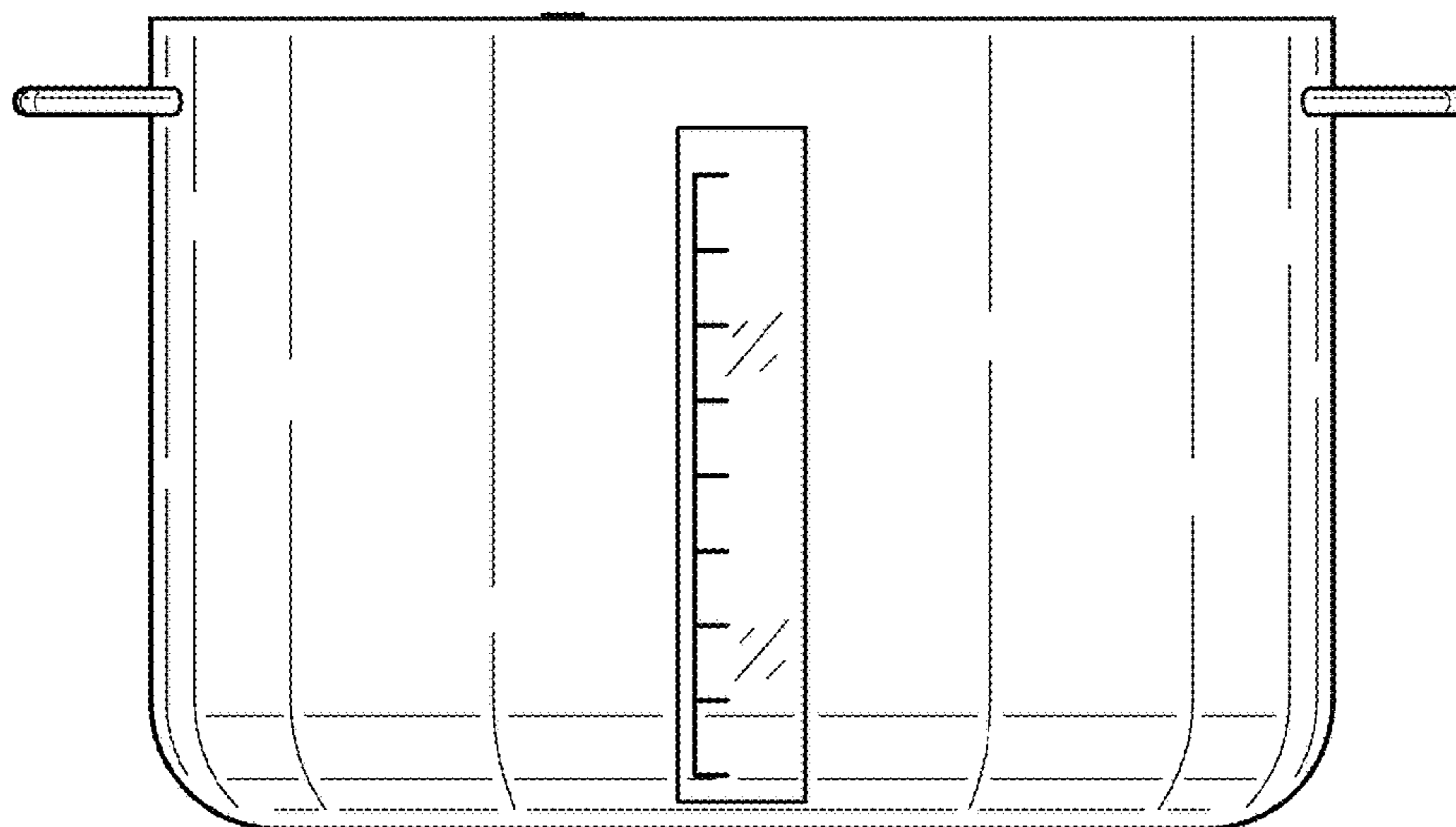


FIG. 1

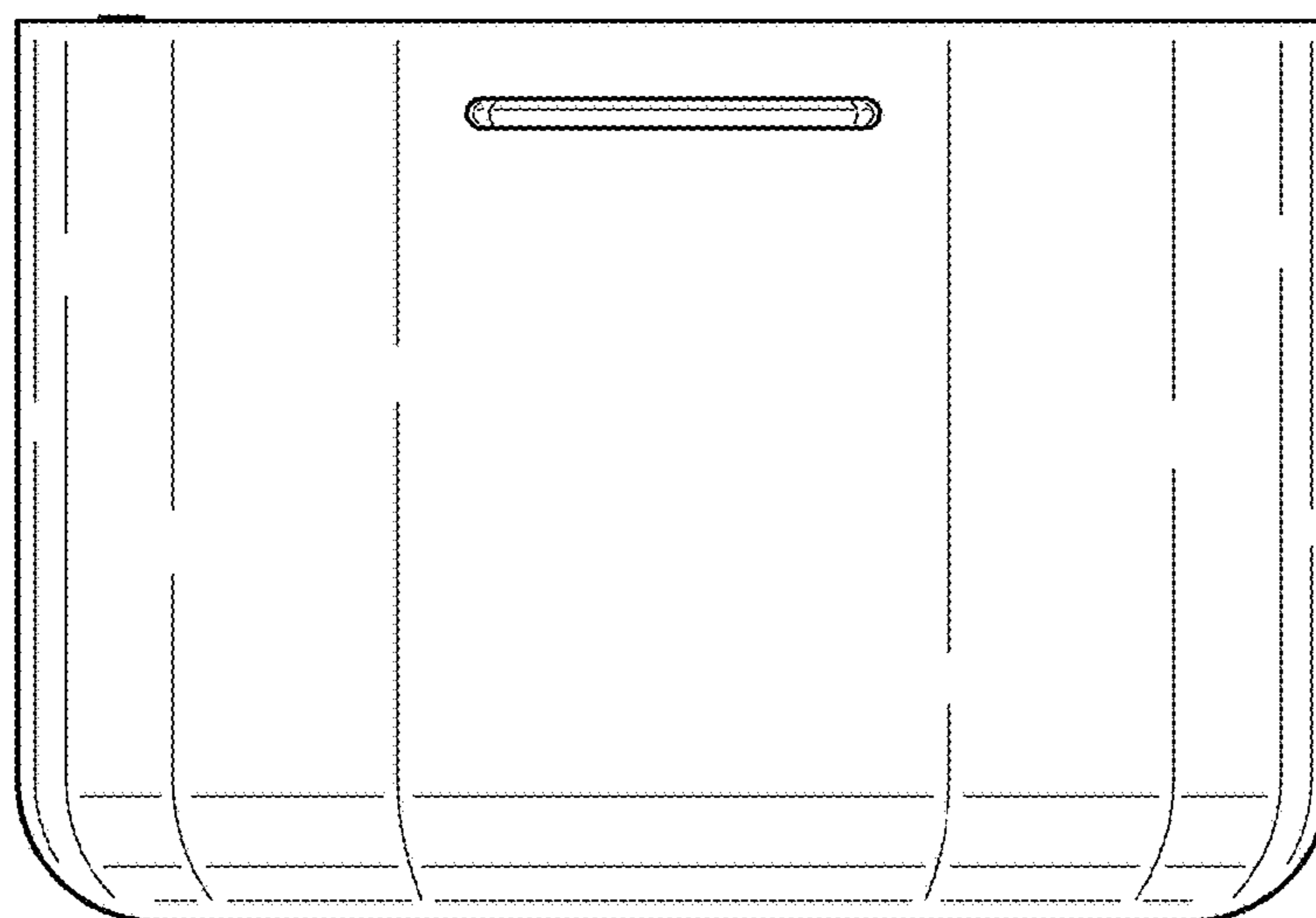


FIG. 2

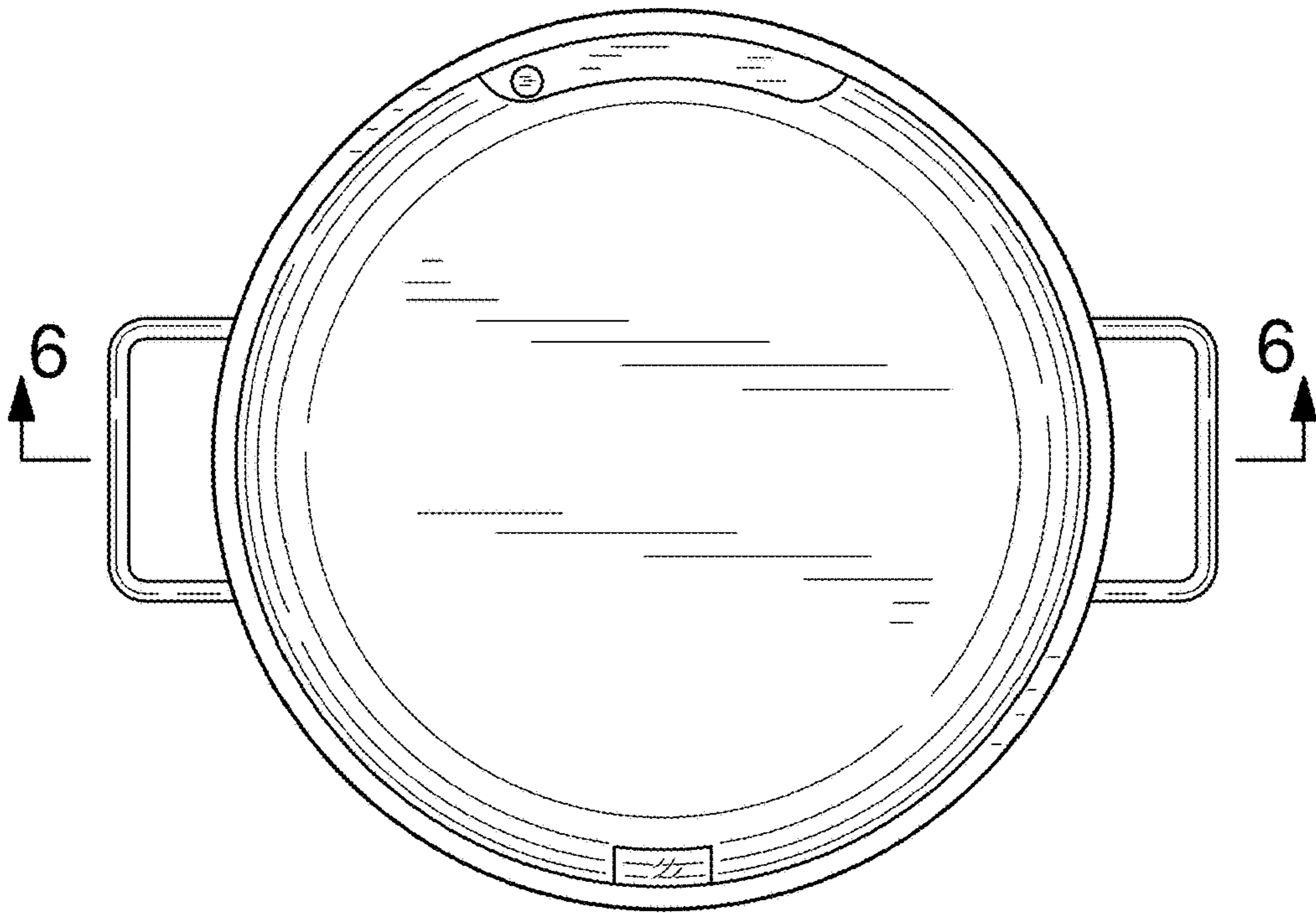


FIG. 3

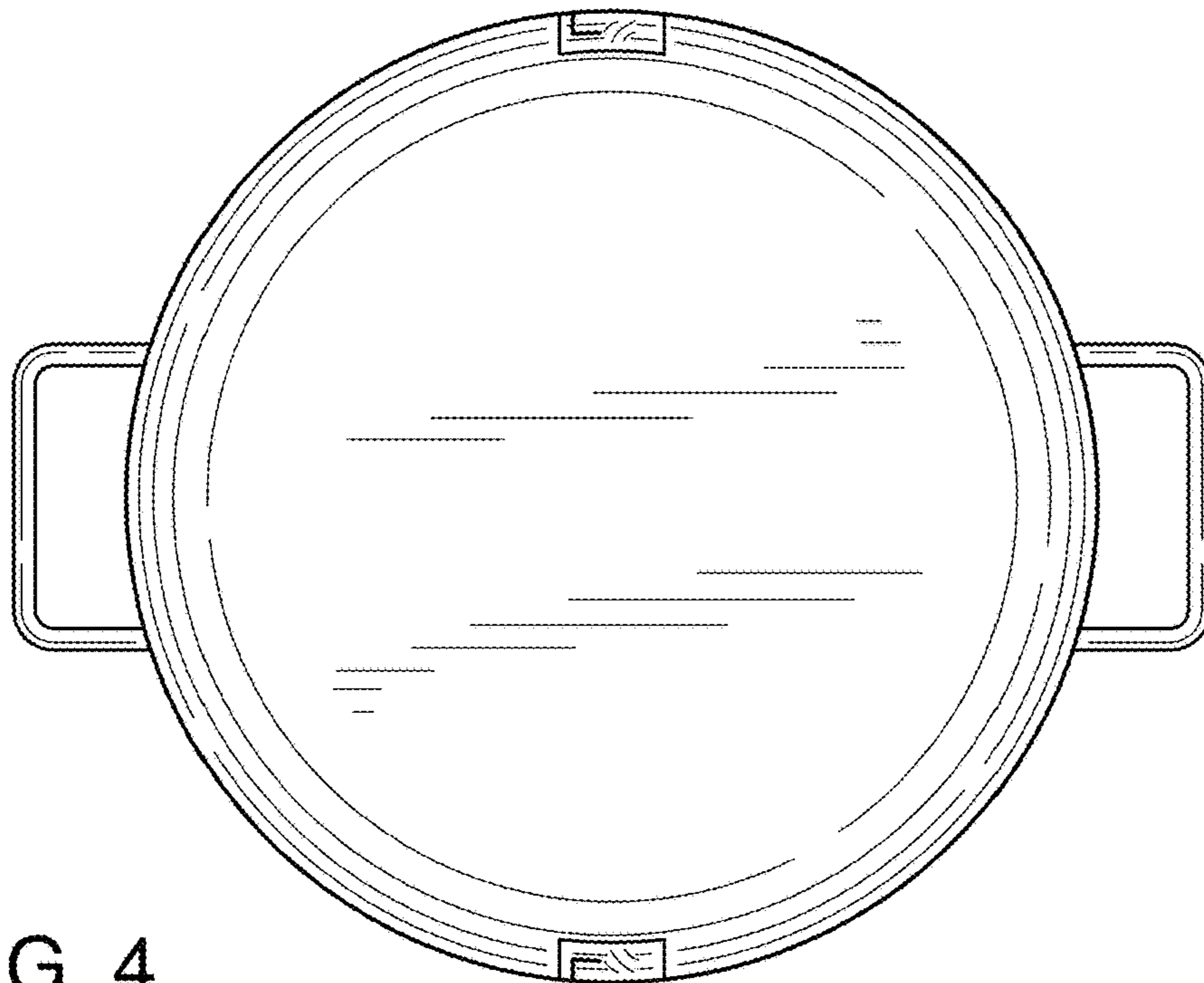


FIG. 4

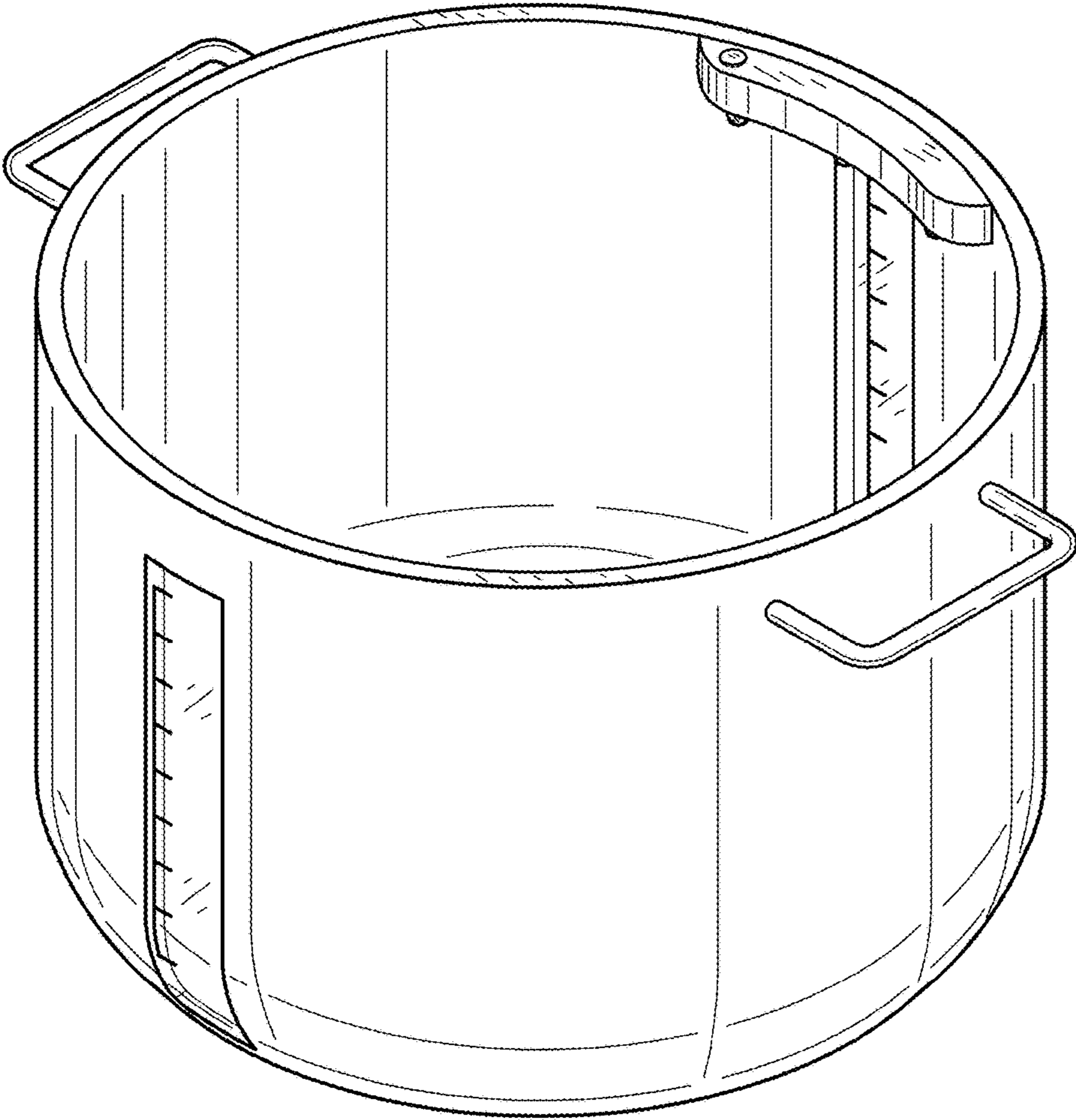


FIG. 5

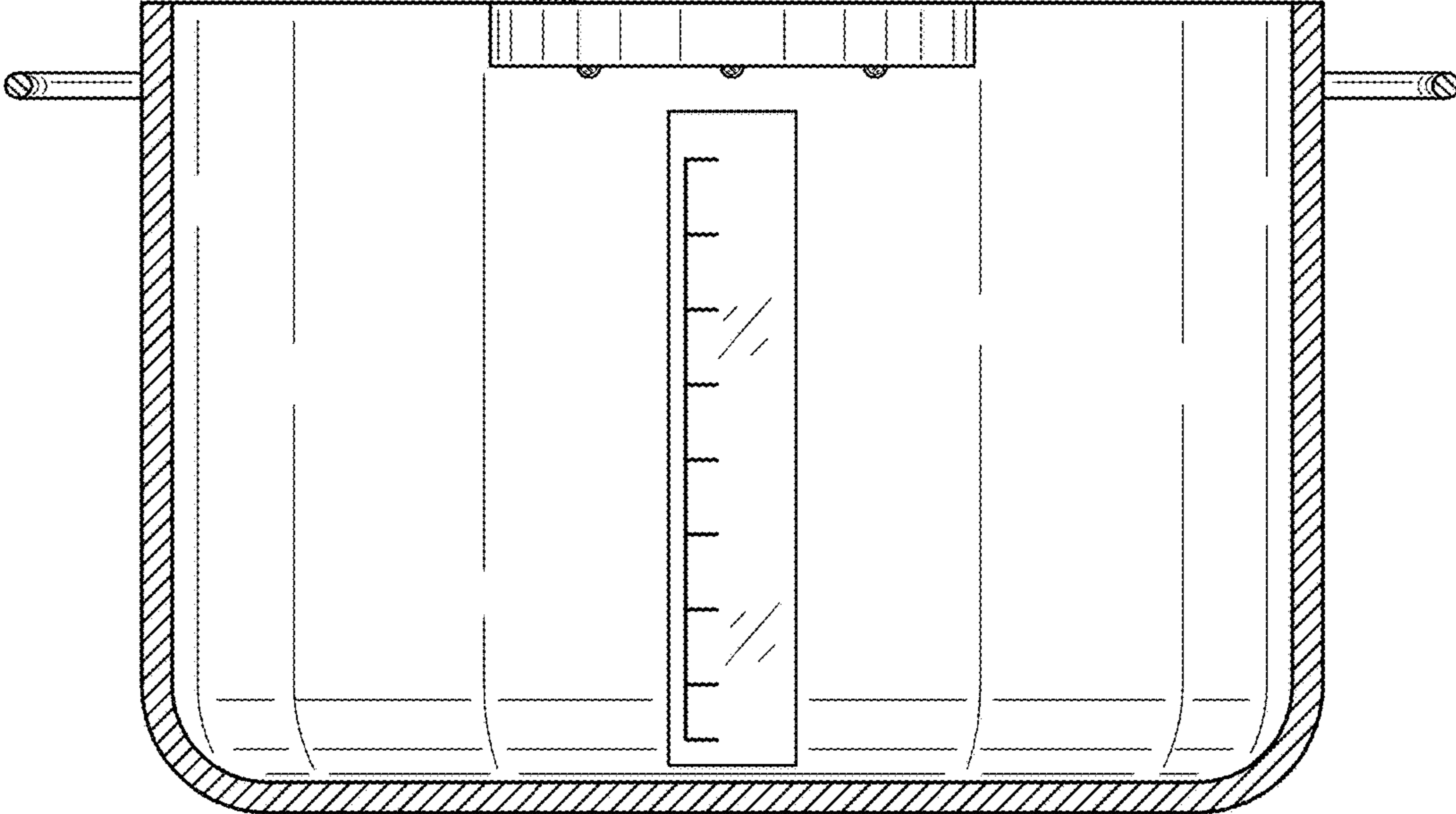


FIG. 6