

US00D840743S

(12) **United States Design Patent**  
**Chen**

(10) **Patent No.:** **US D840,743 S**

(45) **Date of Patent:** **\*\* Feb. 19, 2019**

(54) **COOKING POT**

(71) Applicant: **Hsien-Chen Chen**, New Taipei (TW)

(72) Inventor: **Hsien-Chen Chen**, New Taipei (TW)

(\*\*) Term: **15 Years**

(21) Appl. No.: **29/653,827**

(22) Filed: **Jun. 19, 2018**

(51) **LOC (11) Cl.** ..... **07-02**

(52) **U.S. Cl.**

USPC ..... **D7/357**; D7/354

(58) **Field of Classification Search**

USPC ..... D3/310; D7/323, 354–363, 391,  
D7/393–396, 409, 541, 553.2, 555;  
D9/761; D30/129

CPC ..... A47G 19/12; A47J 27/00; A47J 27/002;  
A47J 27/08; A47J 27/21; A47J 27/58;  
A47J 36/025; A47J 36/06; A47J 36/12;  
A47J 37/00; A47J 37/10; A47J 37/101;  
A47J 37/103; A47J 37/12; A47J 37/1204;  
A47J 45/061; A47J 45/071; A47J 45/08;  
H05B 6/12

See application file for complete search history.

(56) **References Cited**

**U.S. PATENT DOCUMENTS**

3,713,380 A \* 1/1973 Bardin ..... A47J 37/10  
99/422  
D226,838 S \* 5/1973 Ruskin ..... D30/129

D232,302 S \* 8/1974 Lazure ..... D9/761  
D367,172 S \* 2/1996 Brightbill ..... D3/310  
D484,364 S \* 12/2003 Bailey ..... D7/357  
D587,515 S \* 3/2009 Cheng ..... D7/354  
D596,894 S \* 7/2009 Cheng ..... D7/357  
D596,903 S \* 7/2009 Willis ..... D7/553.2  
D633,341 S \* 3/2011 Smyers ..... D7/553.3  
D656,789 S \* 4/2012 Locke ..... A47J 37/10  
D7/541  
D731,849 S \* 6/2015 Arregui Letamendi ..... D7/354  
D749,351 S \* 2/2016 Chen ..... D7/354  
D828,076 S \* 9/2018 Chen ..... D7/357

\* cited by examiner

*Primary Examiner* — Ricky Pham

(74) *Attorney, Agent, or Firm* — Browdy and Neimark,  
PLLC

(57) **CLAIM**

The ornamental design for a cooking pot, as shown.

**DESCRIPTION**

FIG. 1 is a perspective view of a cooking pot showing my new design;

FIG. 2 is a front view thereof;

FIG. 3 is a rear view thereof;

FIG. 4 is a left side view thereof;

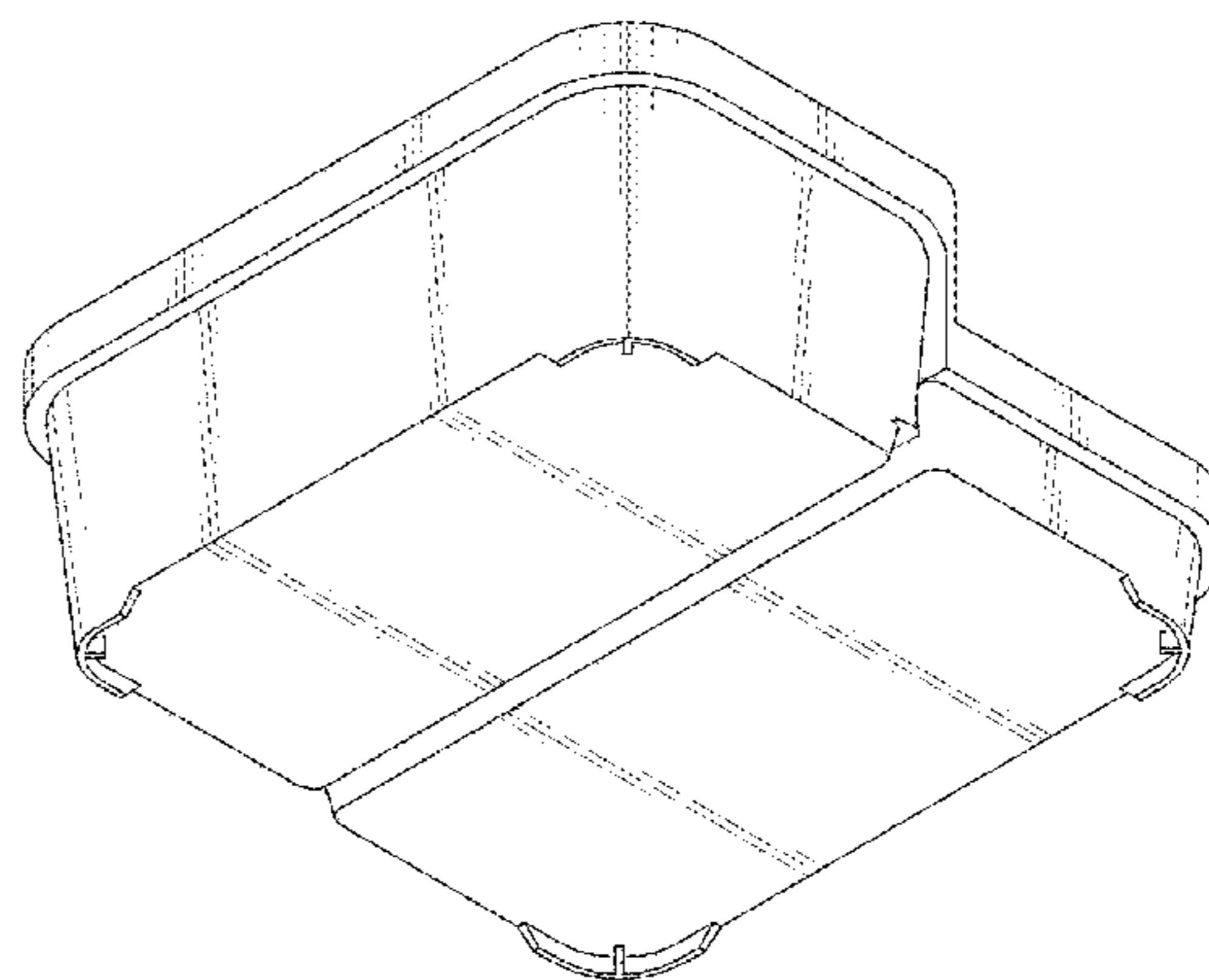
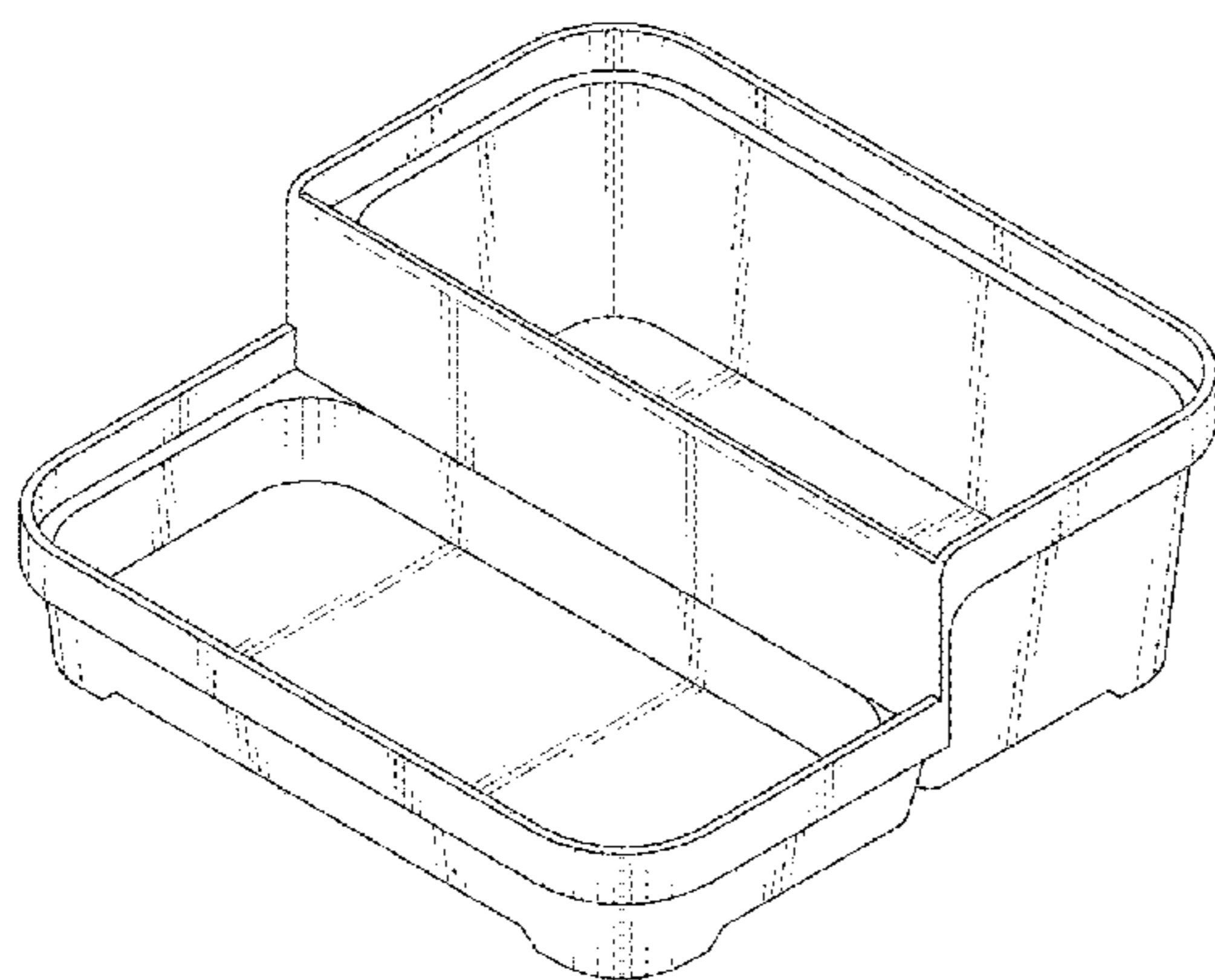
FIG. 5 is a right side view thereof;

FIG. 6 is a top view thereof;

FIG. 7 is a bottom view thereof; and,

FIG. 8 is another perspective view thereof.

**1 Claim, 8 Drawing Sheets**



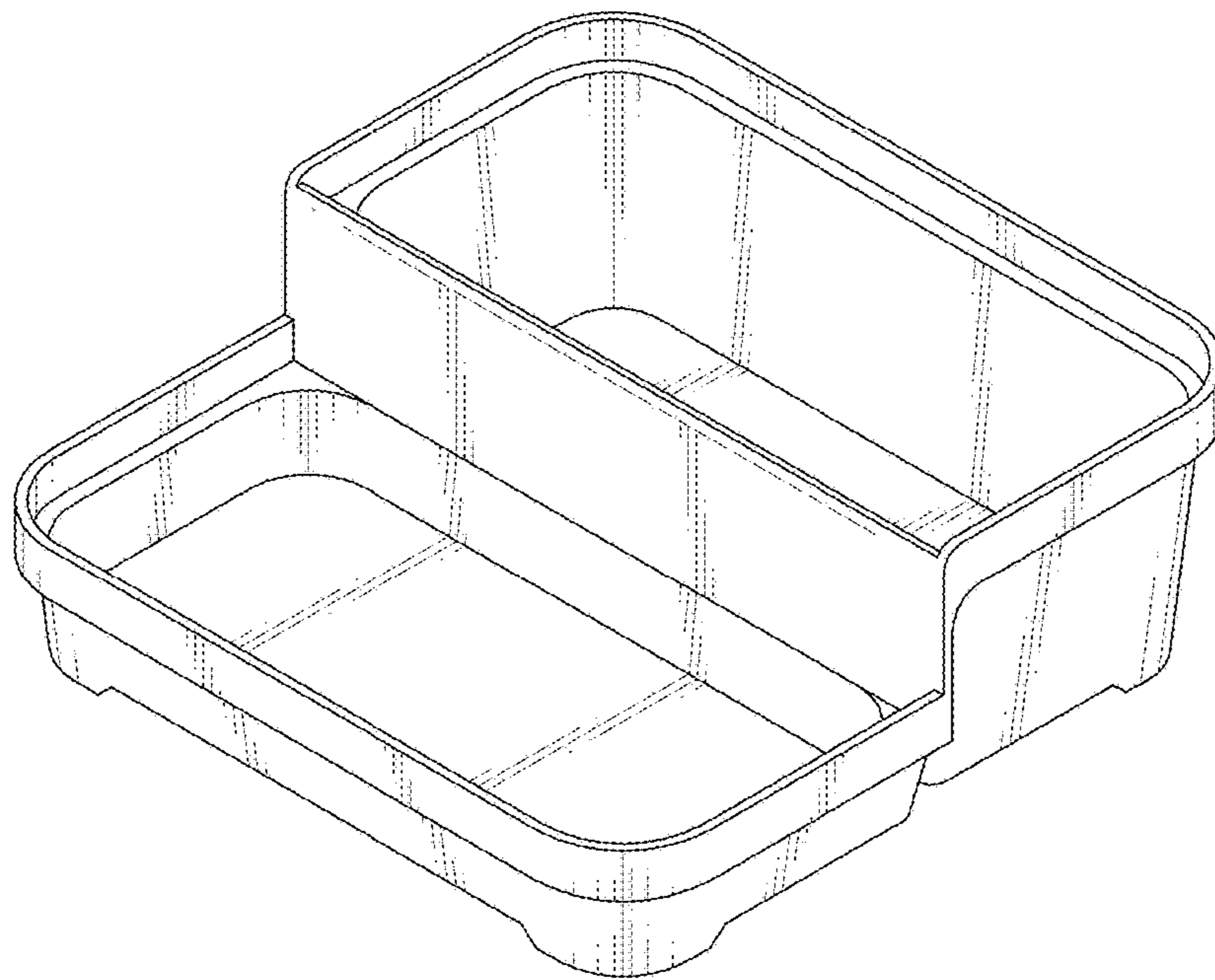


FIG.1

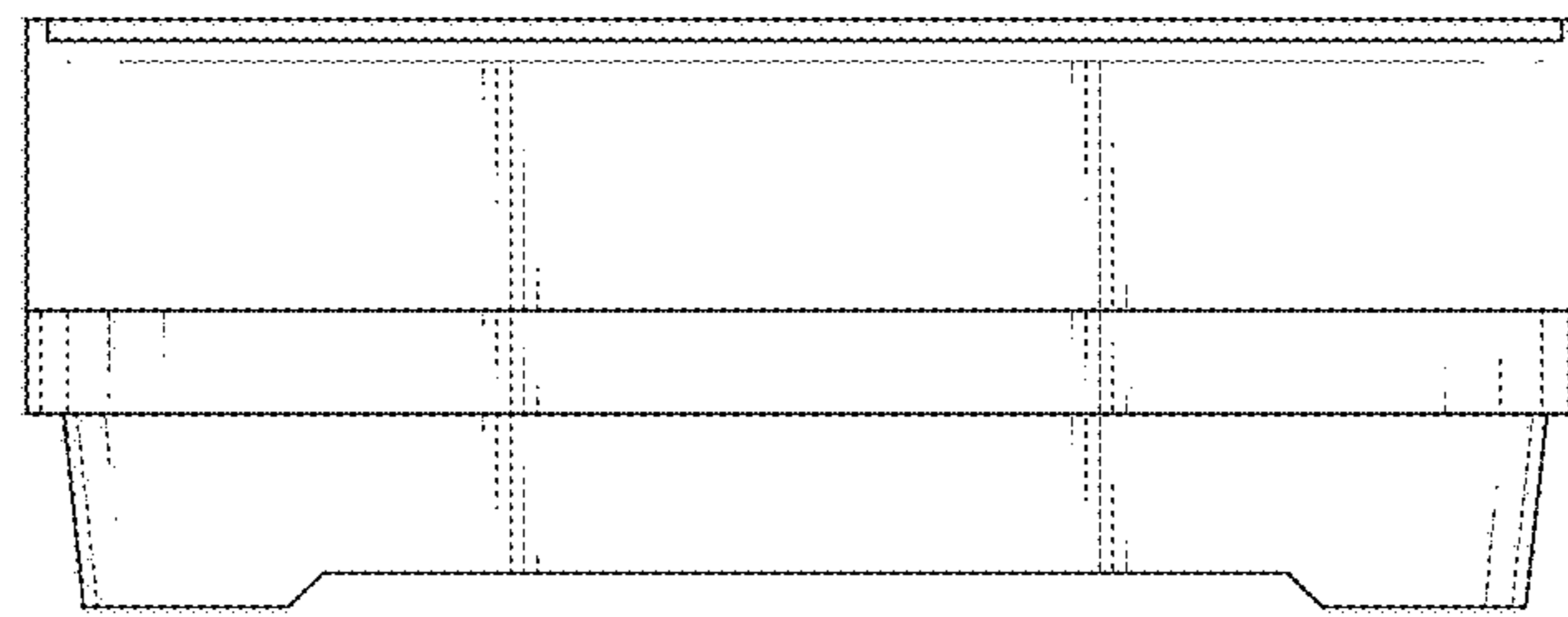


FIG.2

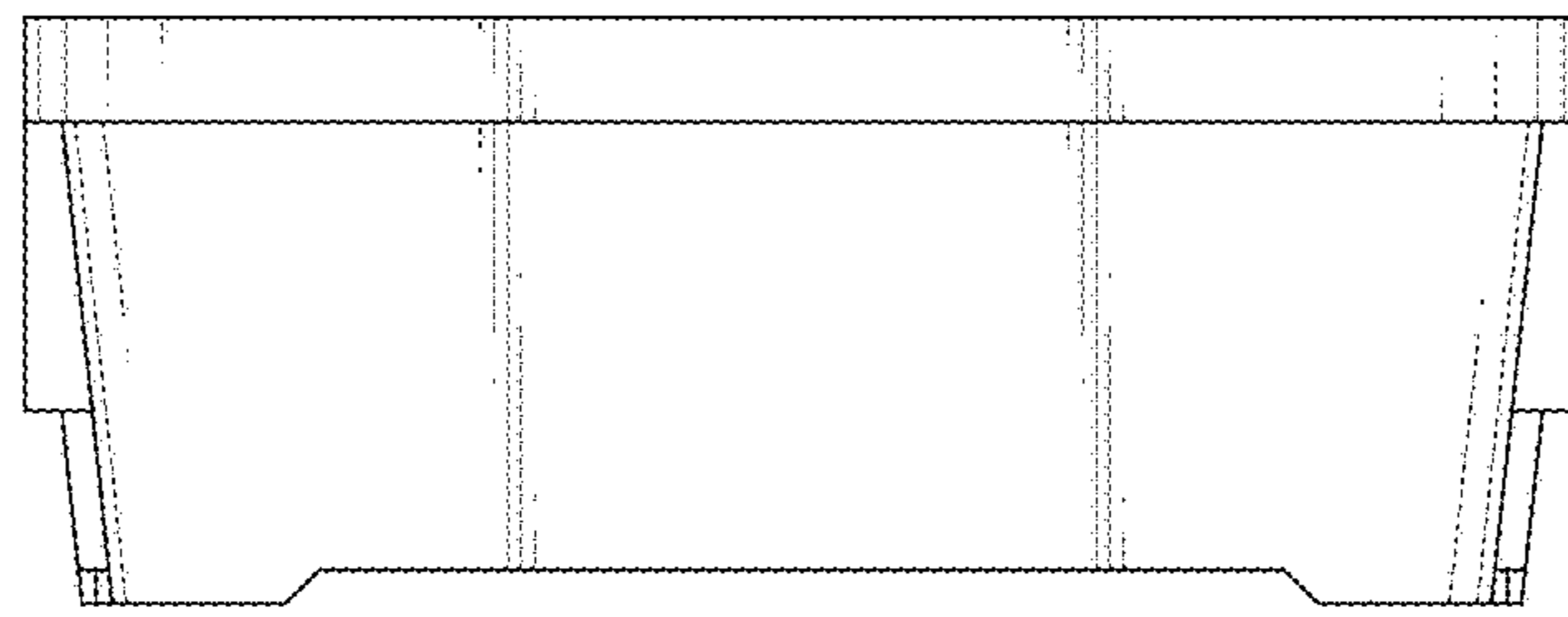


FIG.3

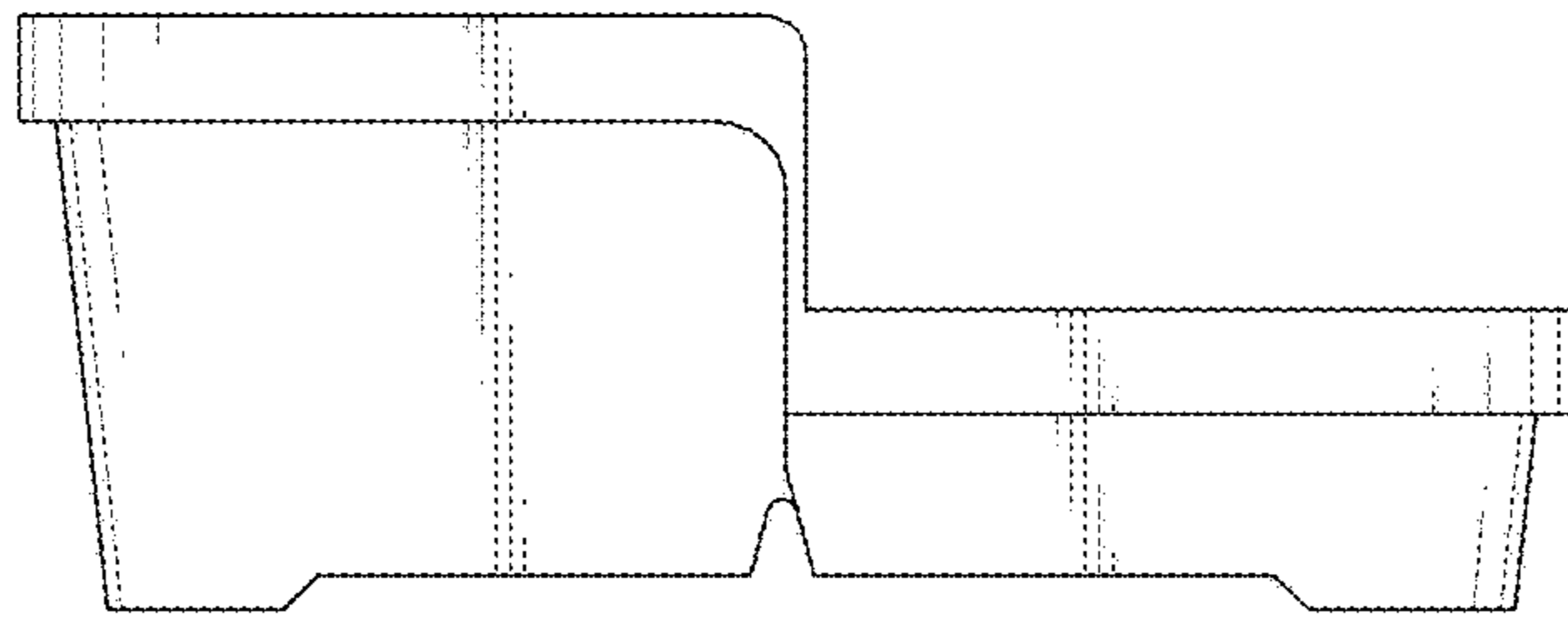


FIG.4

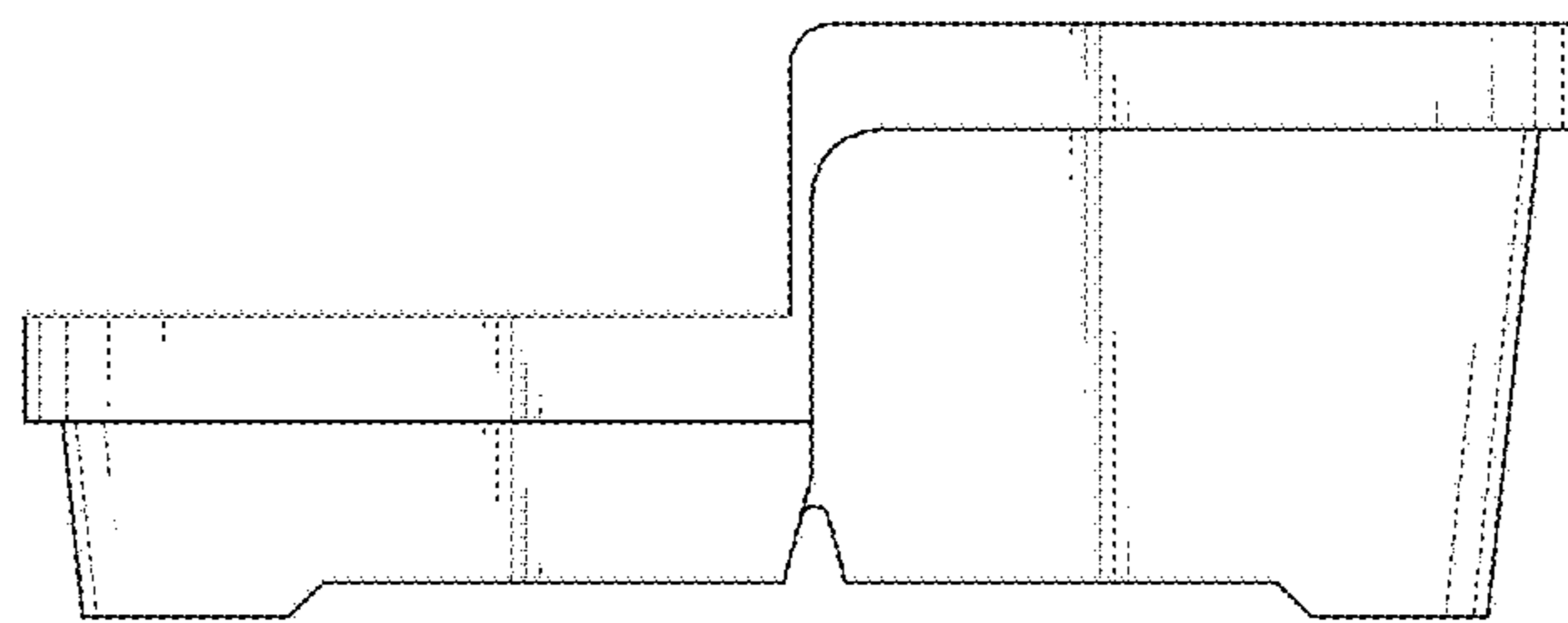


FIG.5

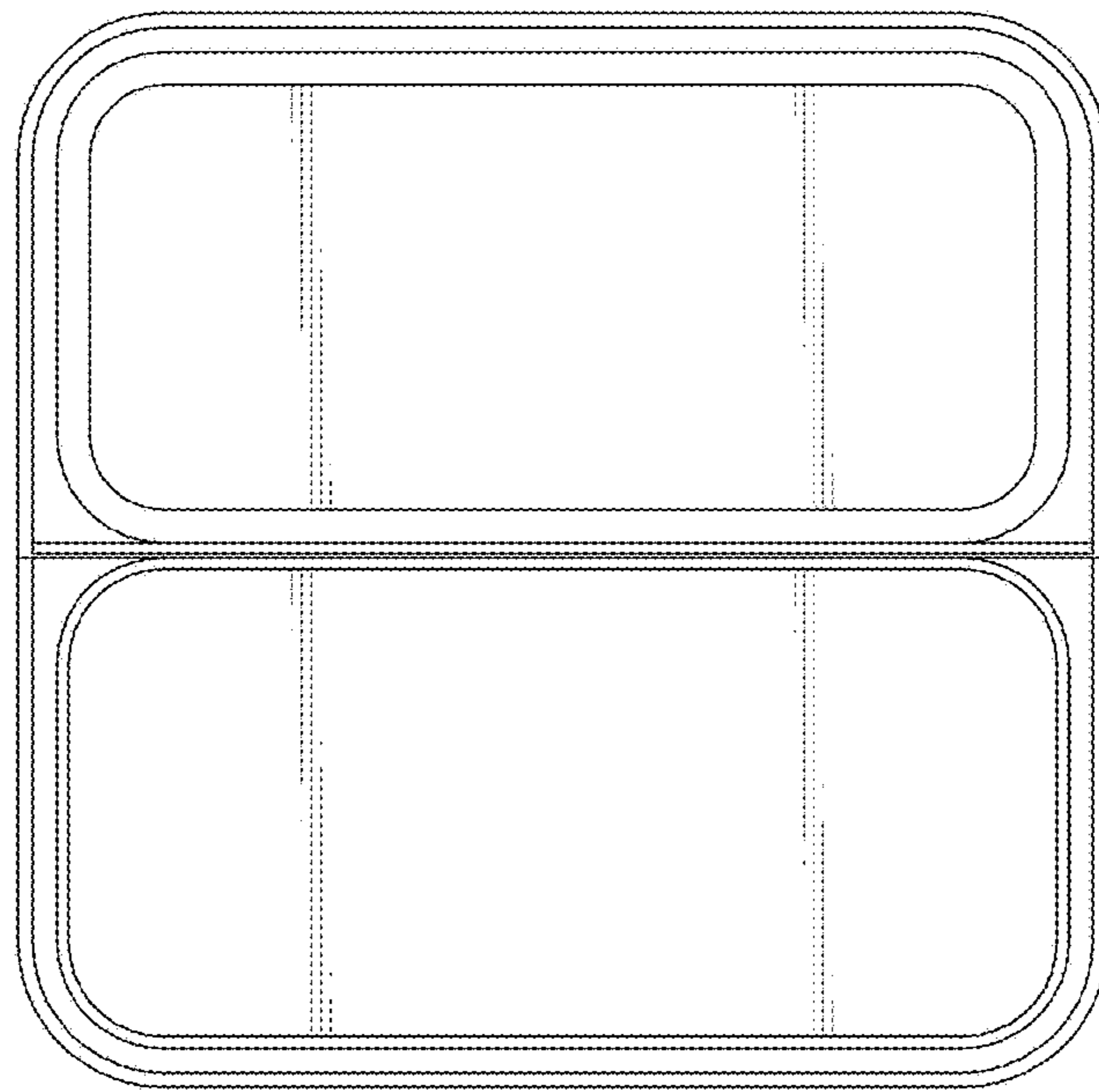


FIG.6

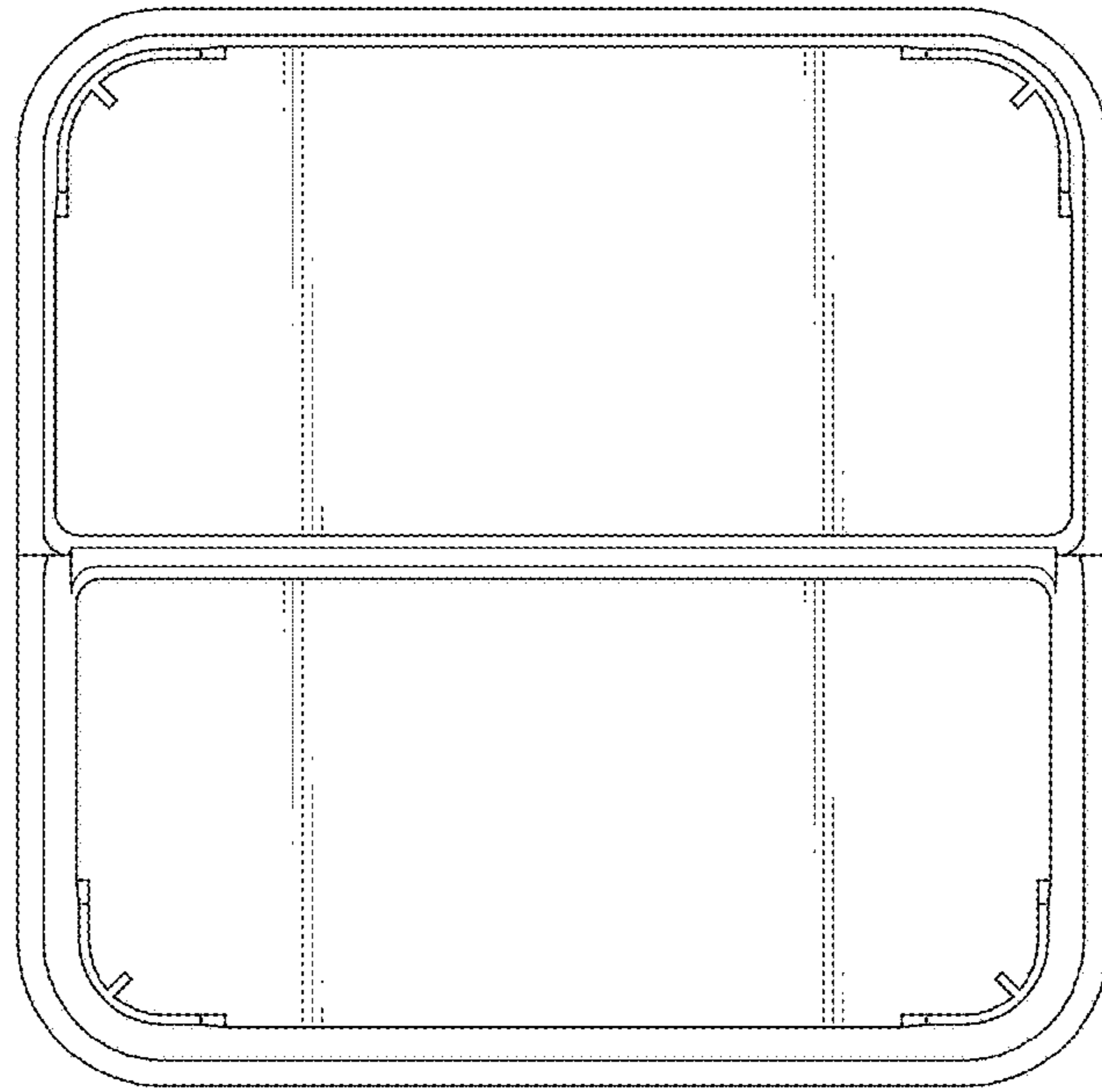


FIG.7



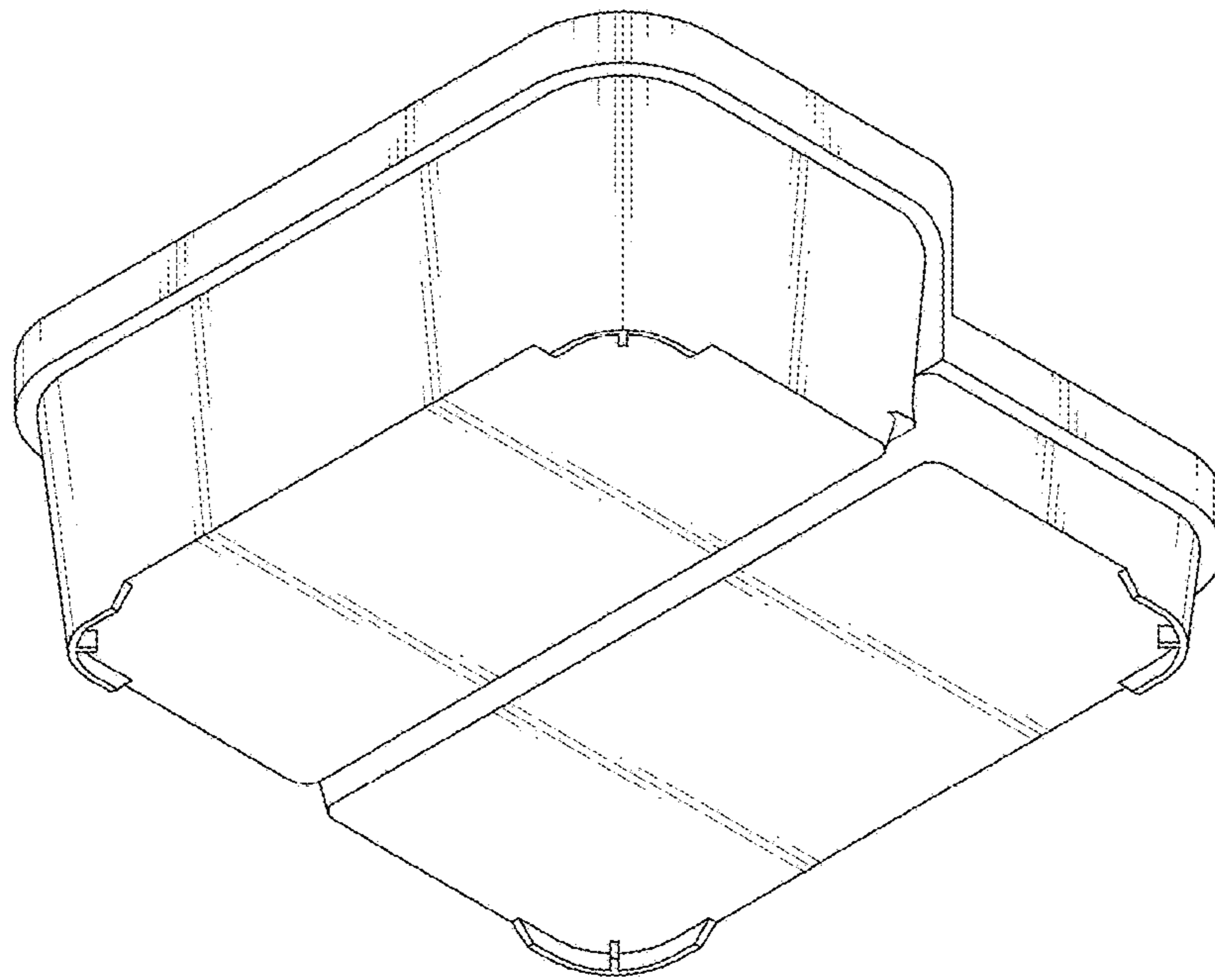


FIG.8