



US00D840742S

(12) **United States Design Patent**
Chen

(10) **Patent No.:** **US D840,742 S**

(45) **Date of Patent:** **** Feb. 19, 2019**

(54) **COOKING POT**

(71) Applicant: **Hsien-Chen Chen**, New Taipei (TW)

(72) Inventor: **Hsien-Chen Chen**, New Taipei (TW)

(**) Term: **15 Years**

(21) Appl. No.: **29/625,740**

(22) Filed: **Nov. 13, 2017**

(51) **LOC (11) Cl.** **07-02**

(52) **U.S. Cl.**
USPC **D7/357**; D7/354

(58) **Field of Classification Search**
USPC D3/310; D7/323, 354-363, 391,
D7/393-396, 409, 541, 553.2, 555;
D9/761; D30/129
CPC A47G 19/12; A47J 27/00; A47J 27/002;
A47J 27/08; A47J 27/21; A47J 27/58;
A47J 36/025; A47J 36/06; A47J 36/12;
A47J 37/00; A47J 37/10; A47J 37/101;
A47J 37/103; A47J 37/12; A47J 37/1204;
A47J 45/061; A47J 45/071; A47J 45/08;
H05B 6/12

See application file for complete search history.

(56) **References Cited**

U.S. PATENT DOCUMENTS

3,713,380	A *	1/1973	Bardin	A47J 37/10 99/422
D226,838	S *	5/1973	Ruskin	D30/129
D232,302	S *	8/1974	Lazure	D9/761
D367,172	S *	2/1996	Brightbill	D3/310
D484,364	S *	12/2003	Bailey	D7/357
D587,515	S *	3/2009	Cheng	D7/354
D596,894	S *	7/2009	Cheng	D7/357
D596,903	S *	7/2009	Willis	D7/553.2

D633,341	S *	3/2011	Smyers	D7/553.3
D656,789	S *	4/2012	Locke	A47J 37/10 D7/541
D731,849	S *	6/2015	Arregui Letamendi	D7/354
D749,351	S *	2/2016	Chen	D7/354
D828,076	S *	9/2018	Chen	D7/357

* cited by examiner

Primary Examiner — Ricky Pham

(74) *Attorney, Agent, or Firm* — C.G. Mersereau; DeWitt, Mackall, Crouse & Moore, S.C.

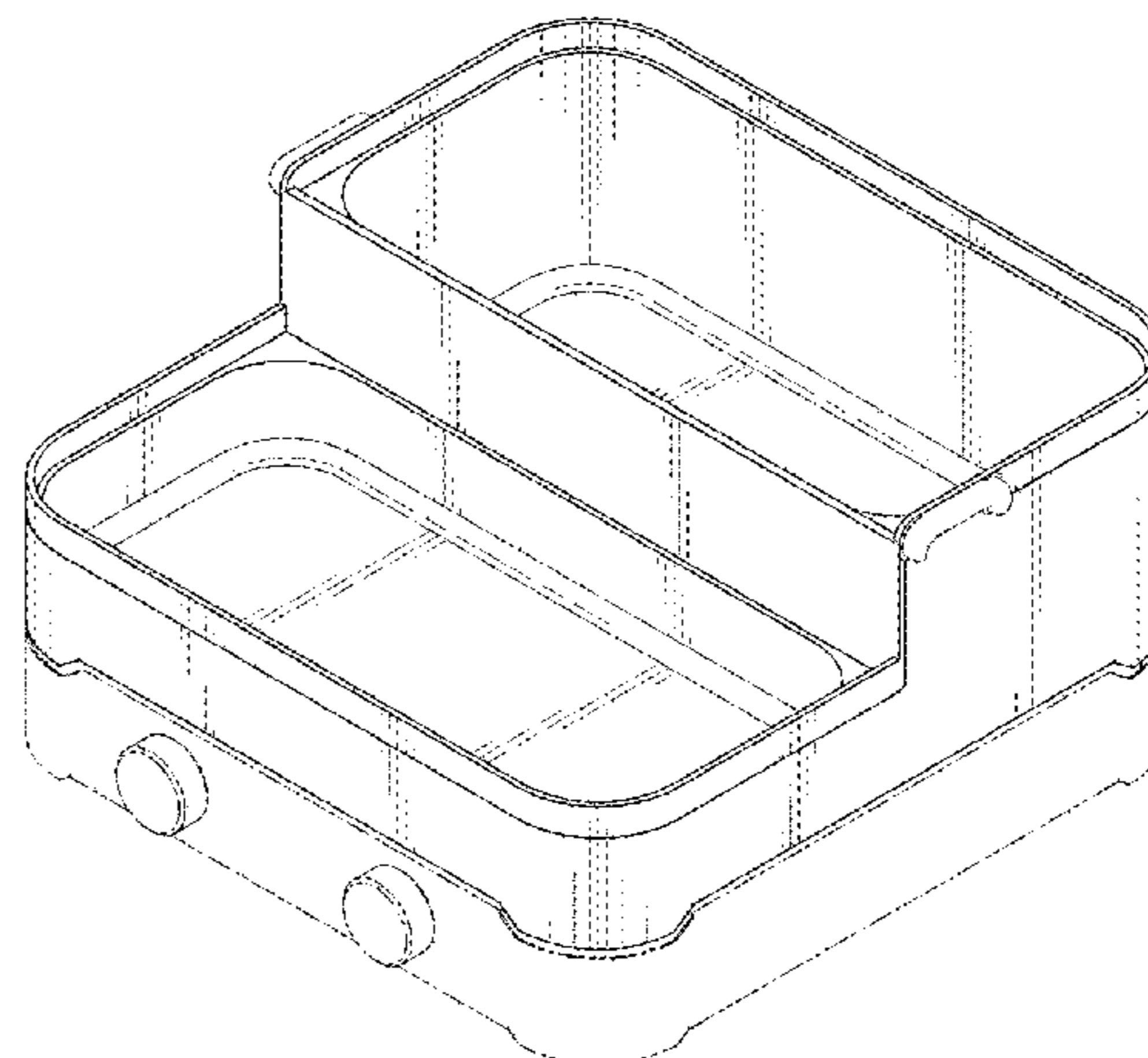
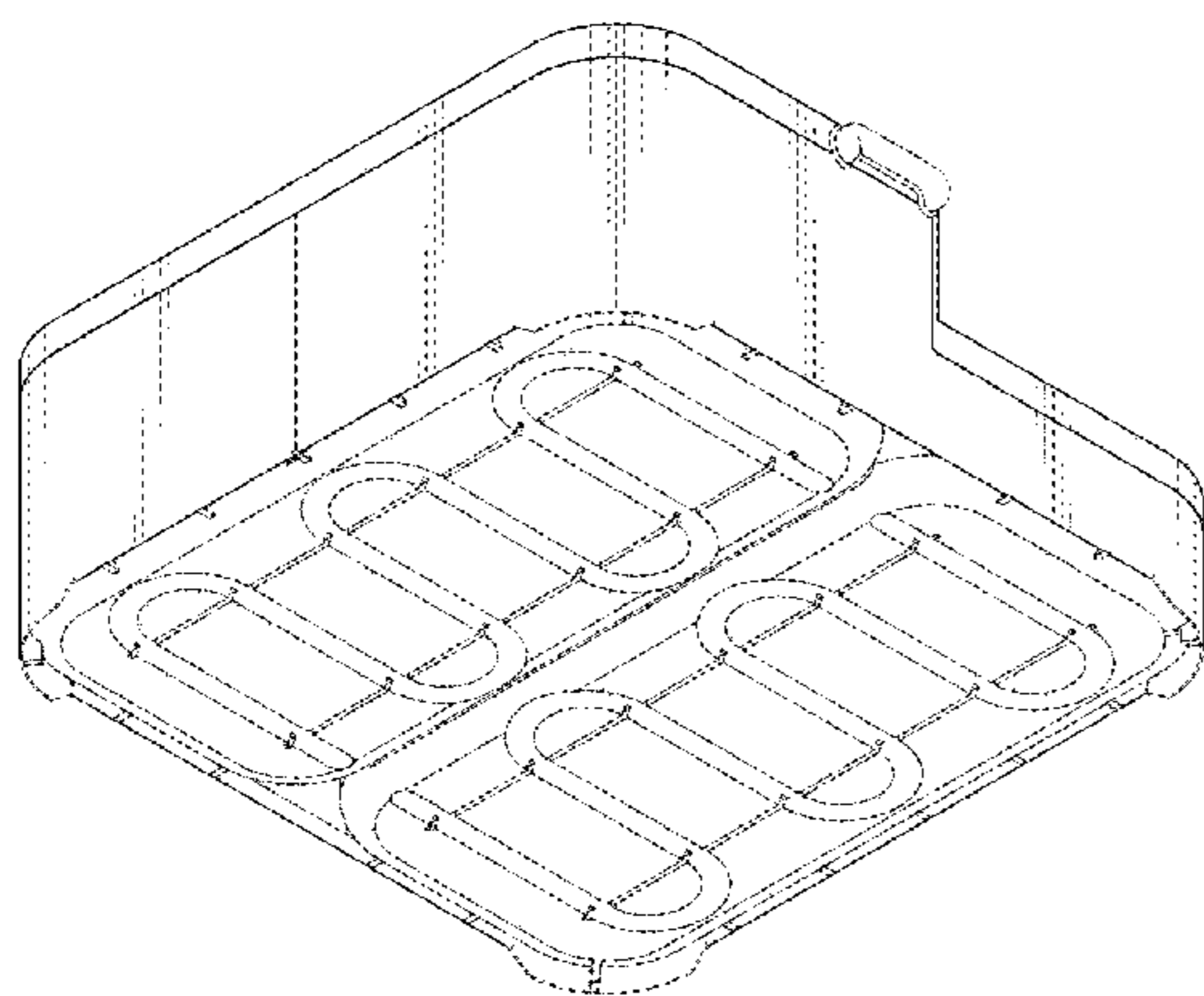
(57) **CLAIM**

The ornamental design for a cooking pot, as shown and described.

DESCRIPTION

FIG. 1 is a perspective view of a cooking pot showing my new design;
 FIG. 2 is a front view thereof;
 FIG. 3 is a rear view thereof;
 FIG. 4 is a left side view thereof;
 FIG. 5 is a right side view thereof;
 FIG. 6 is a top view thereof;
 FIG. 7 is a bottom view thereof;
 FIG. 8 is another perspective view thereof; and,
 FIG. 9 is a reference perspective view thereof showing that the cooking pot is mounted on a cooker.
 The dashed lines shown are included for the purpose of illustrating unclaimed portions of the article and form no part of the claimed design.
 The dot-dot-dash lines are included for the purpose of illustrating environment of the article and form no part of the claimed design.

1 Claim, 9 Drawing Sheets



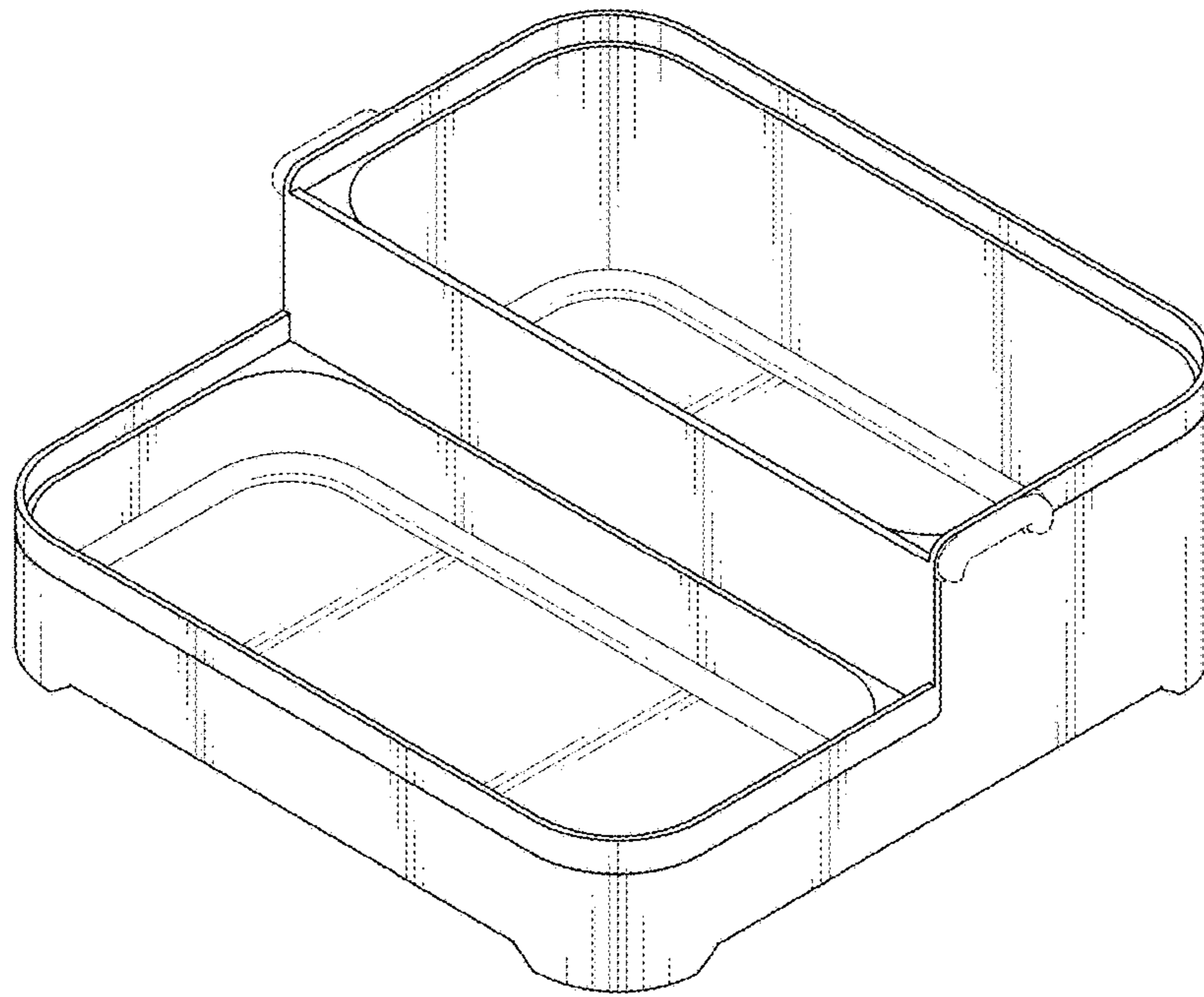


FIG.1

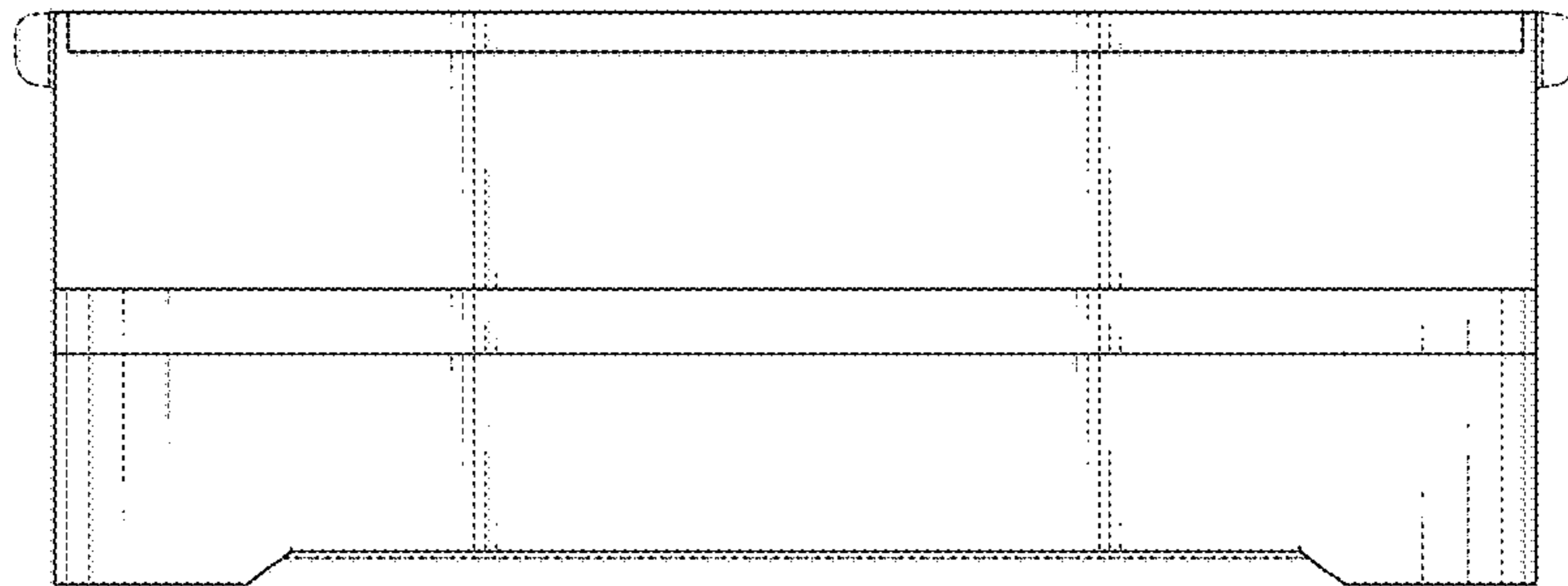


FIG.2

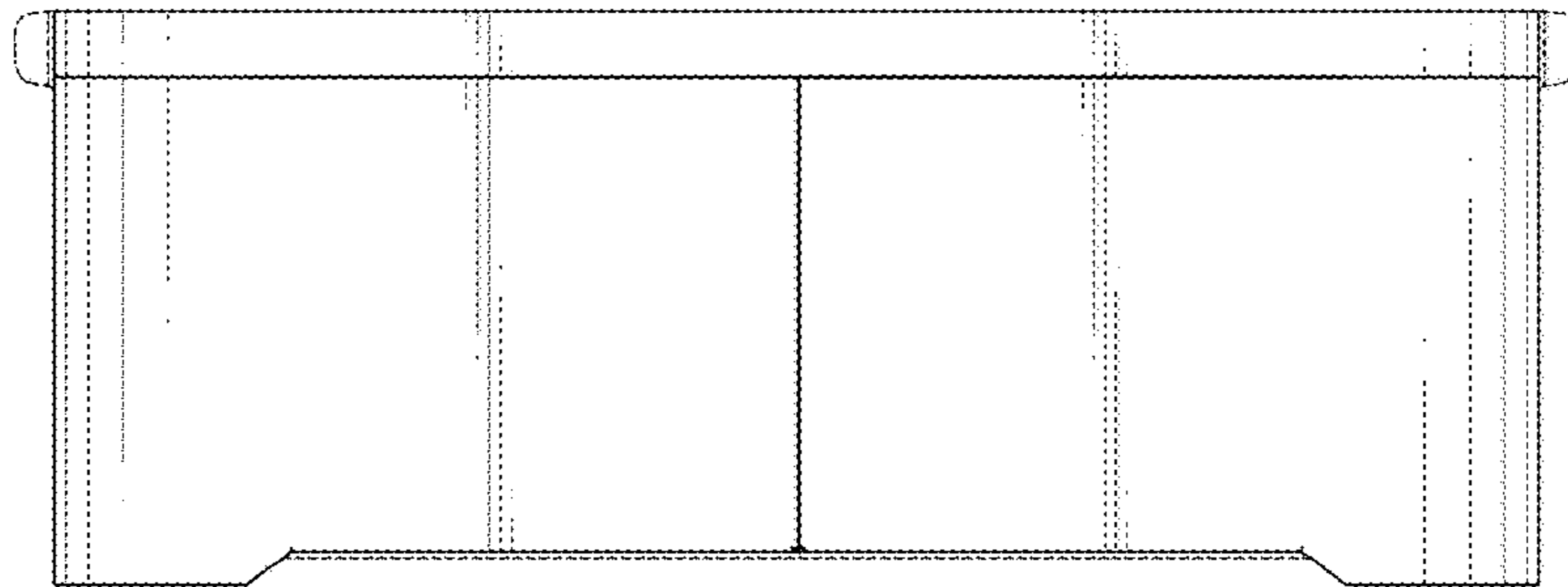


FIG.3

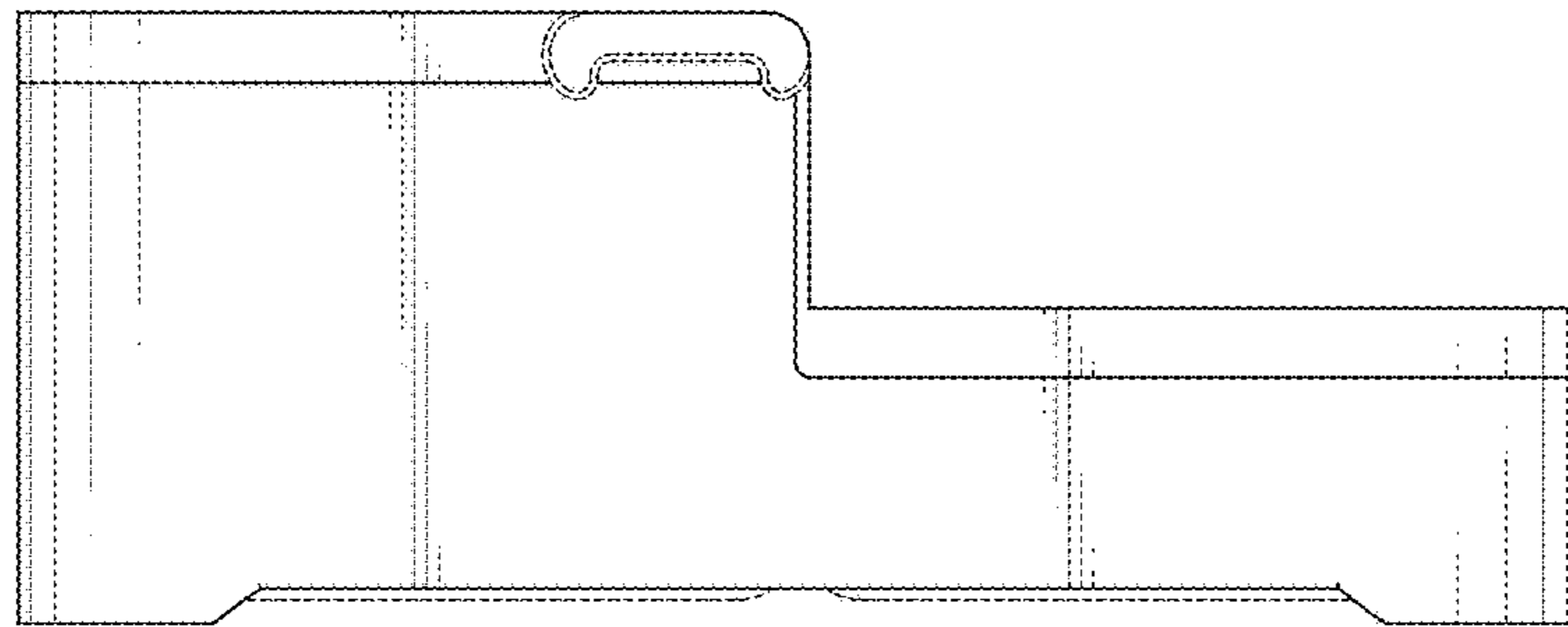


FIG.4

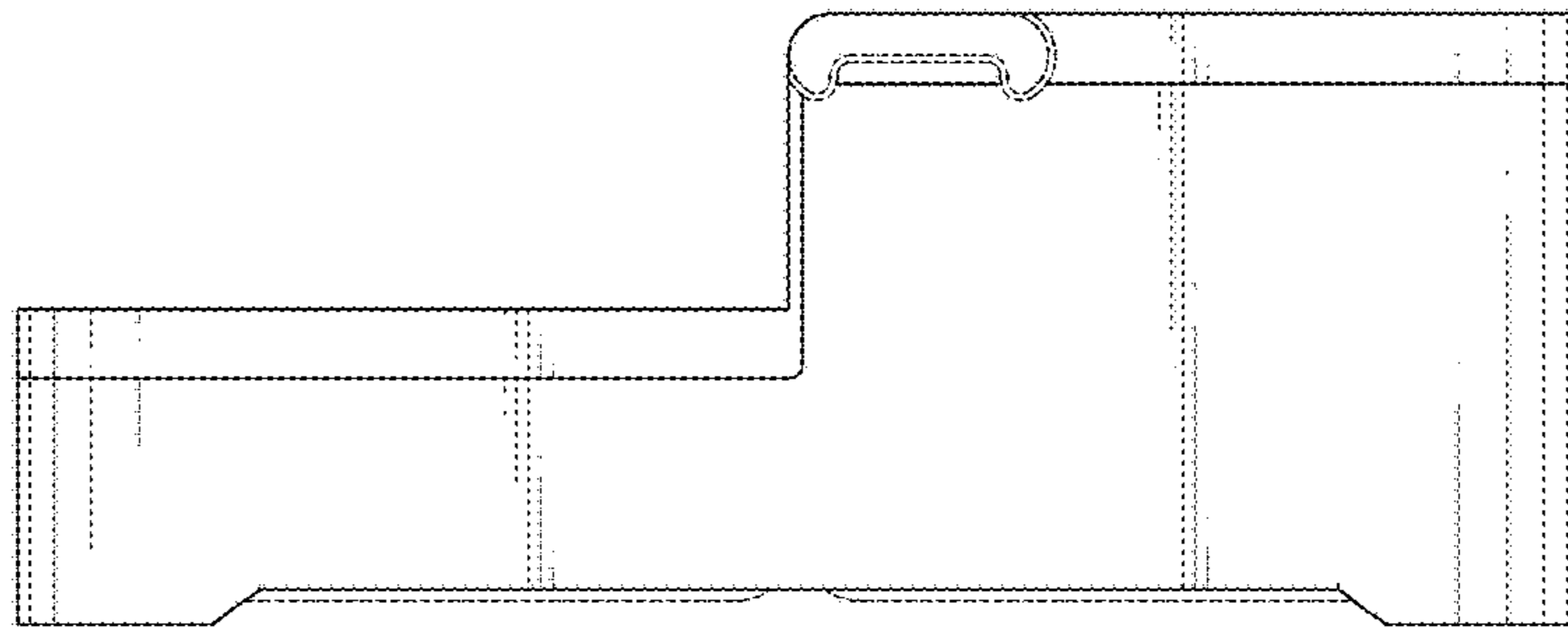


FIG.5

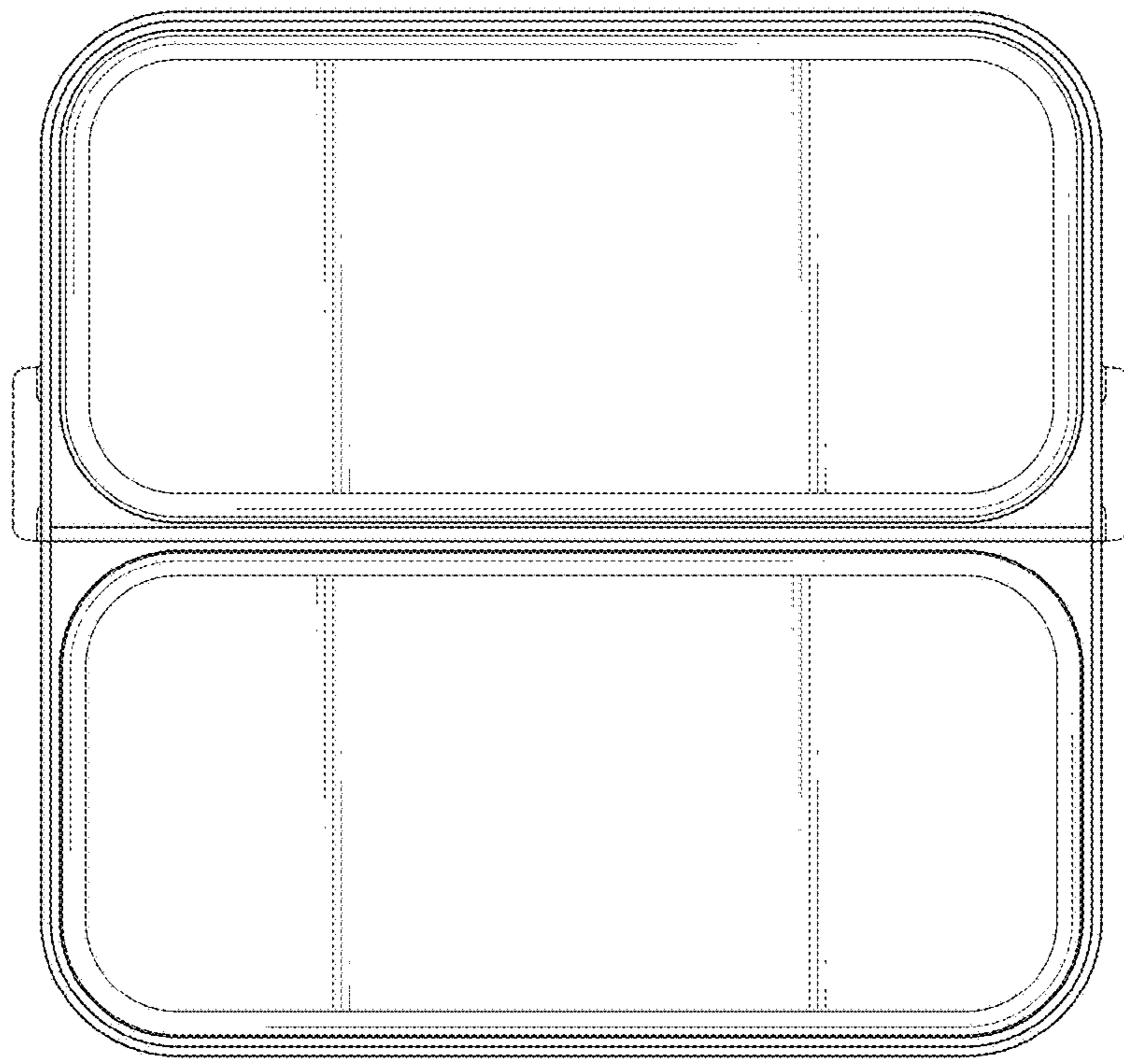


FIG.6

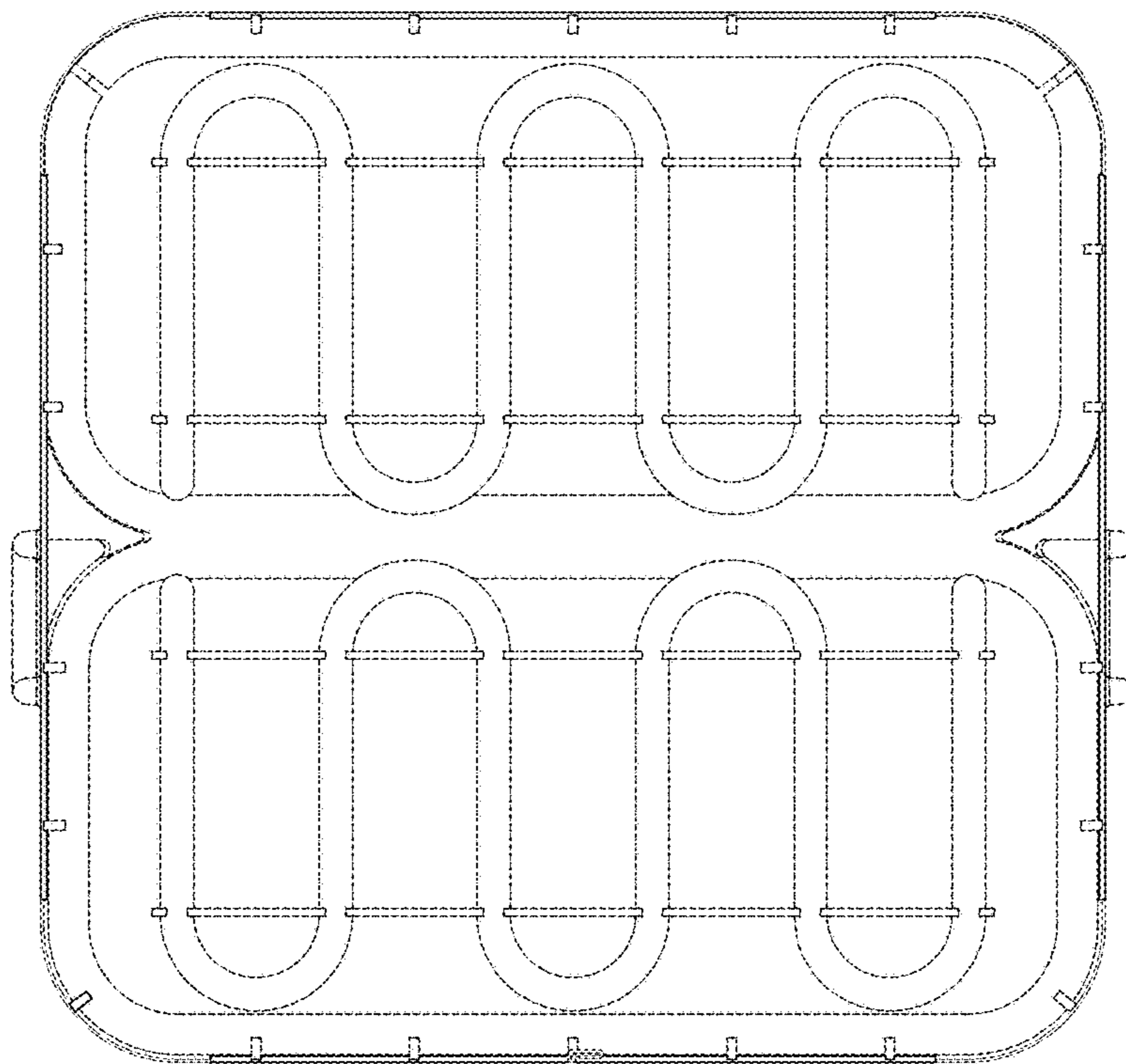


FIG.7

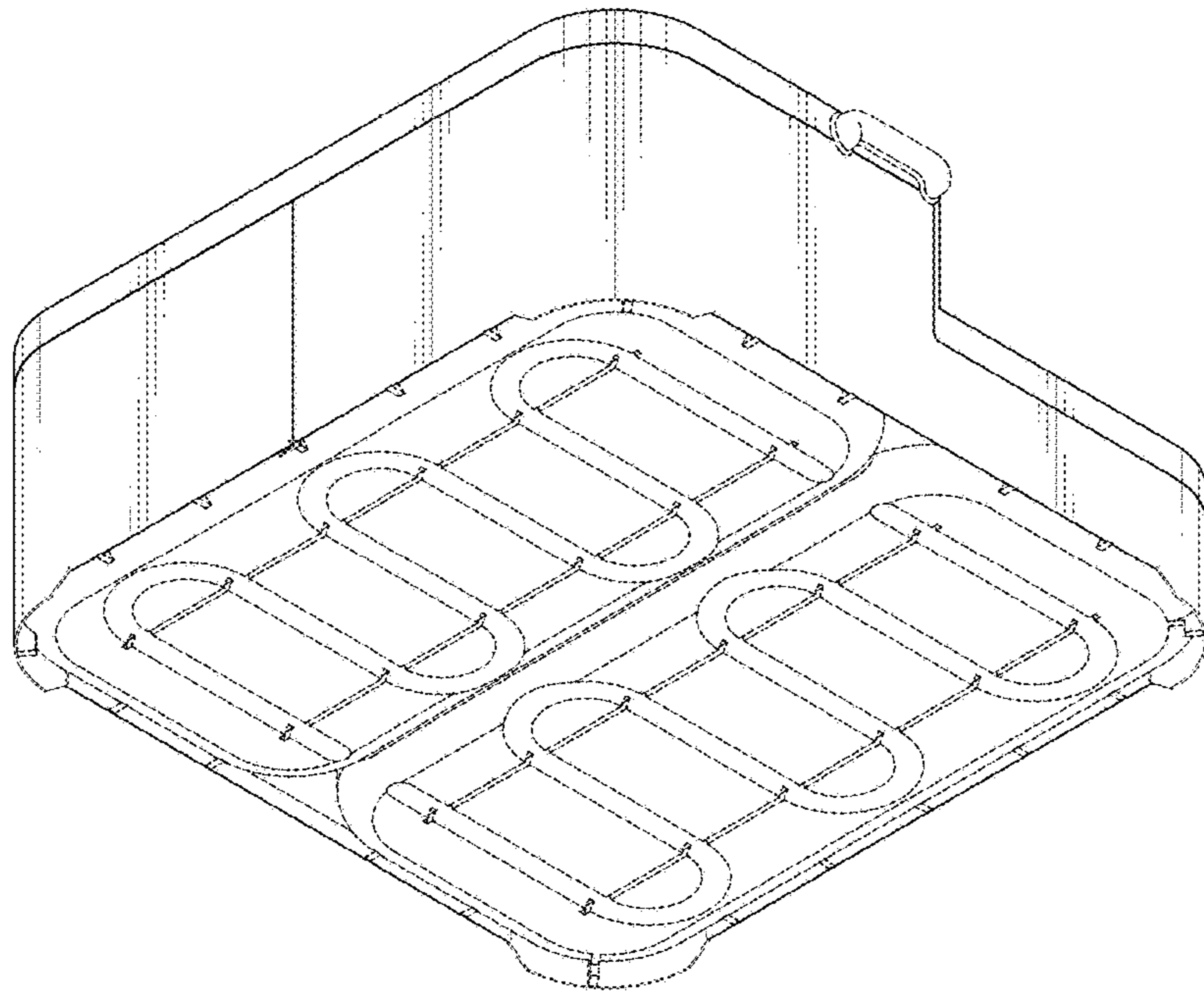


FIG.8

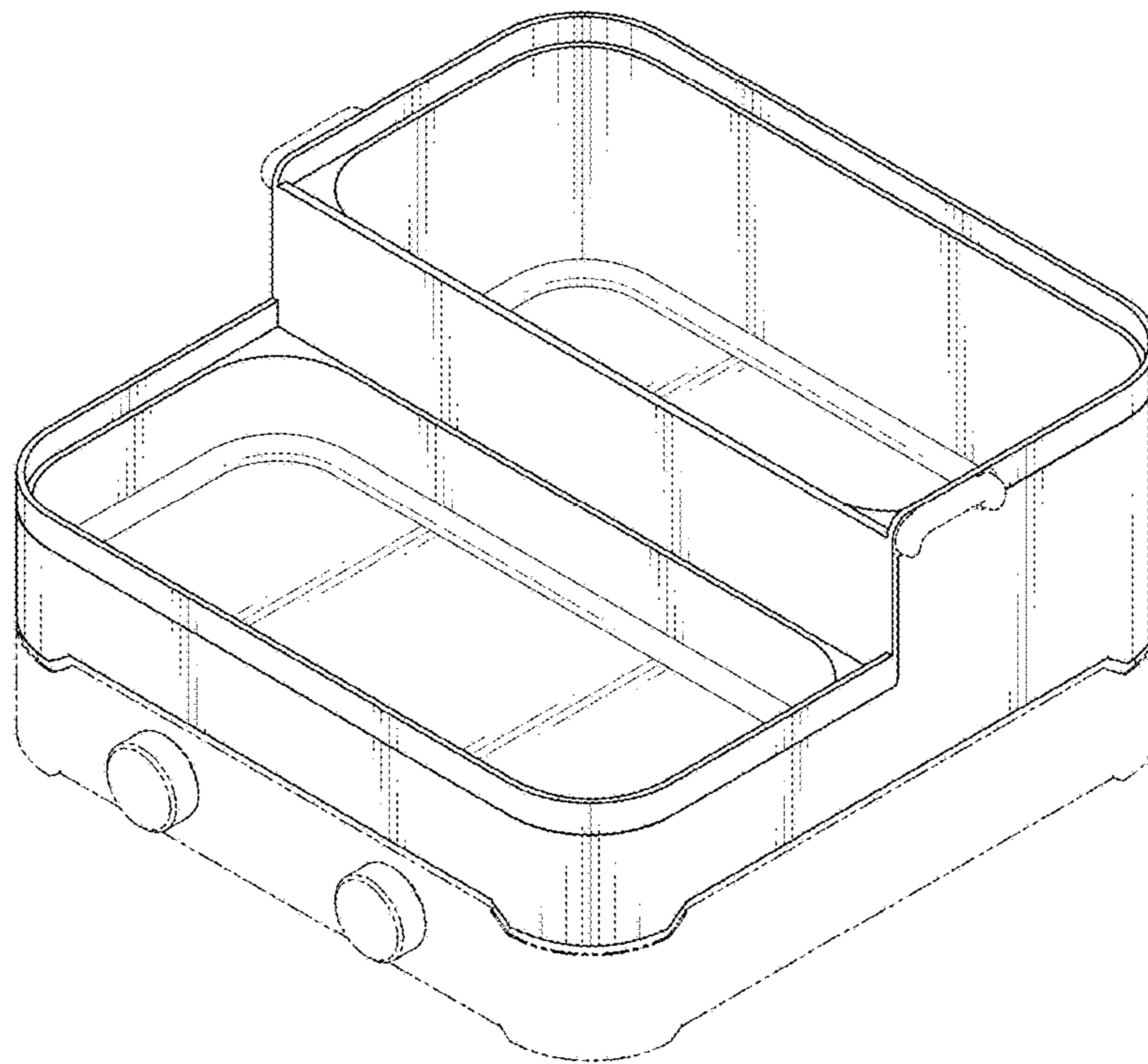


FIG.9