



US00D840741S

(12) **United States Design Patent**
Chen

(10) **Patent No.:** **US D840,741 S**

(45) **Date of Patent:** **** Feb. 19, 2019**

(54) **COOKING POT**

(71) Applicant: **Hsien-Chen Chen**, New Taipei (TW)

(72) Inventor: **Hsien-Chen Chen**, New Taipei (TW)

(**) Term: **15 Years**

(21) Appl. No.: **29/625,550**

(22) Filed: **Nov. 10, 2017**

(51) **LOC (11) Cl.** **07-02**

(52) **U.S. Cl.**

USPC **D7/357**; D7/354

(58) **Field of Classification Search**

USPC D3/310; D7/323, 354–363, 391,
D7/393–396, 409, 541, 553.2, 555;
D9/761; D30/129

CPC A47G 19/12; A47J 27/00; A47J 27/002;
A47J 27/08; A47J 27/21; A47J 27/58;
A47J 36/025; A47J 36/06; A47J 36/12;
A47J 37/00; A47J 37/10; A47J 37/101;
A47J 37/103; A47J 37/12; A47J 37/1204;
A47J 45/061; A47J 45/071; A47J 45/08;
H05B 6/12

See application file for complete search history.

(56) **References Cited**

U.S. PATENT DOCUMENTS

3,713,380 A * 1/1973 Bardin A47J 37/10
99/422
D226,838 S * 5/1973 Ruskin D30/129

D232,302 S * 8/1974 Luzure D9/761
D367,172 S * 2/1996 Brightbill D3/310
D484,364 S * 12/2003 Bailey D7/357
D587,515 S * 3/2009 Cheng D7/354
D596,894 S * 7/2009 Cheng D7/357
D596,903 S * 7/2009 Willis D7/553.2
D633,341 S * 3/2011 Smyers D7/553.3
D656,789 S * 4/2012 Locke A47J 37/10
D7/541
D731,849 S * 6/2015 Arregui Letamendi D7/354
D749,351 S * 2/2016 Chen D7/354
D828,076 S * 9/2018 Chen D7/357

* cited by examiner

Primary Examiner — Ricky Pham

(74) *Attorney, Agent, or Firm* — C. G. Mersereau;
DeWitt, Mackall, Crouse & Moore, S.C.

(57) **CLAIM**

The ornamental design for a cooking pot, as shown.

DESCRIPTION

FIG. 1 is a perspective view of a cooking pot showing my new design;

FIG. 2 is a front view thereof;

FIG. 3 is a rear view thereof;

FIG. 4 is a left side view thereof;

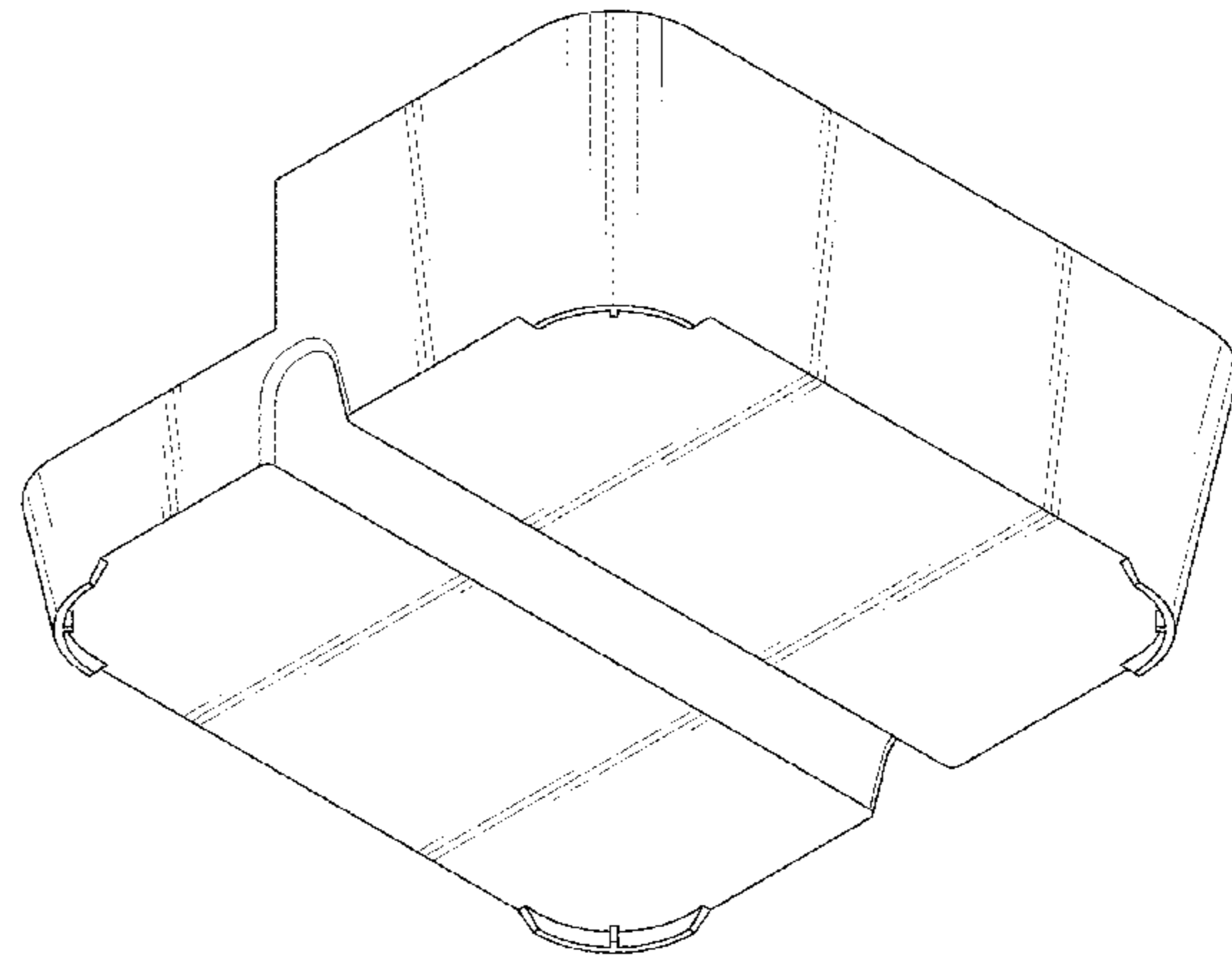
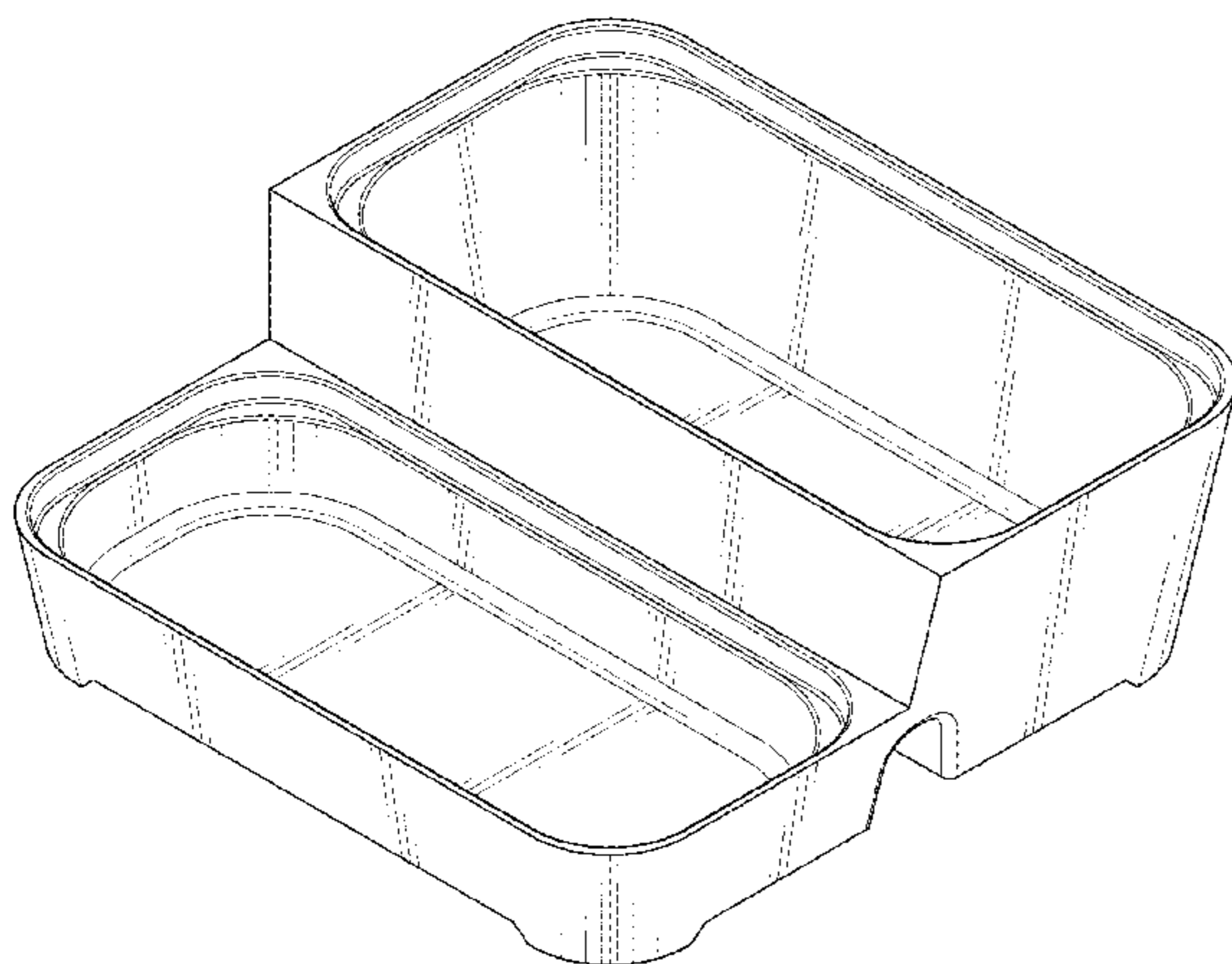
FIG. 5 is a right side view thereof;

FIG. 6 is a top view thereof;

FIG. 7 is a bottom view thereof; and,

FIG. 8 is another perspective view thereof.

1 Claim, 8 Drawing Sheets



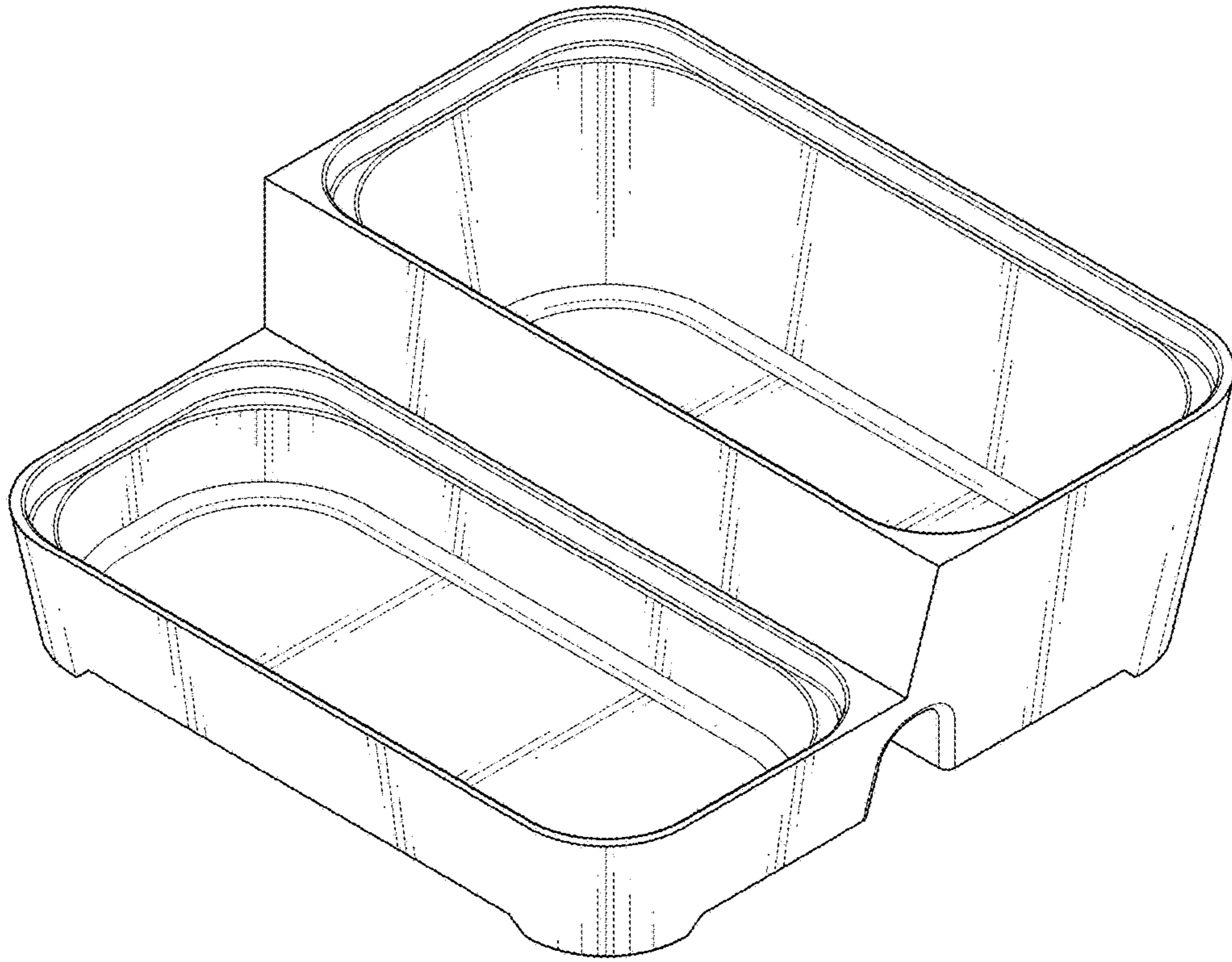


FIG.1

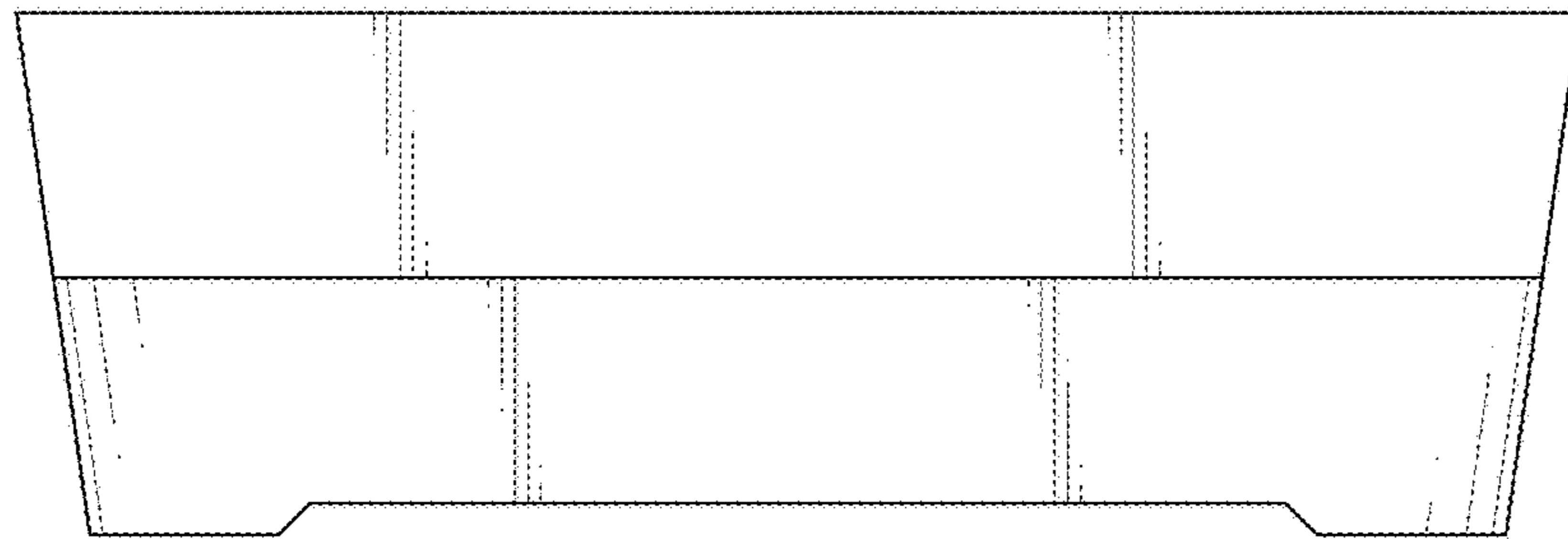


FIG.2

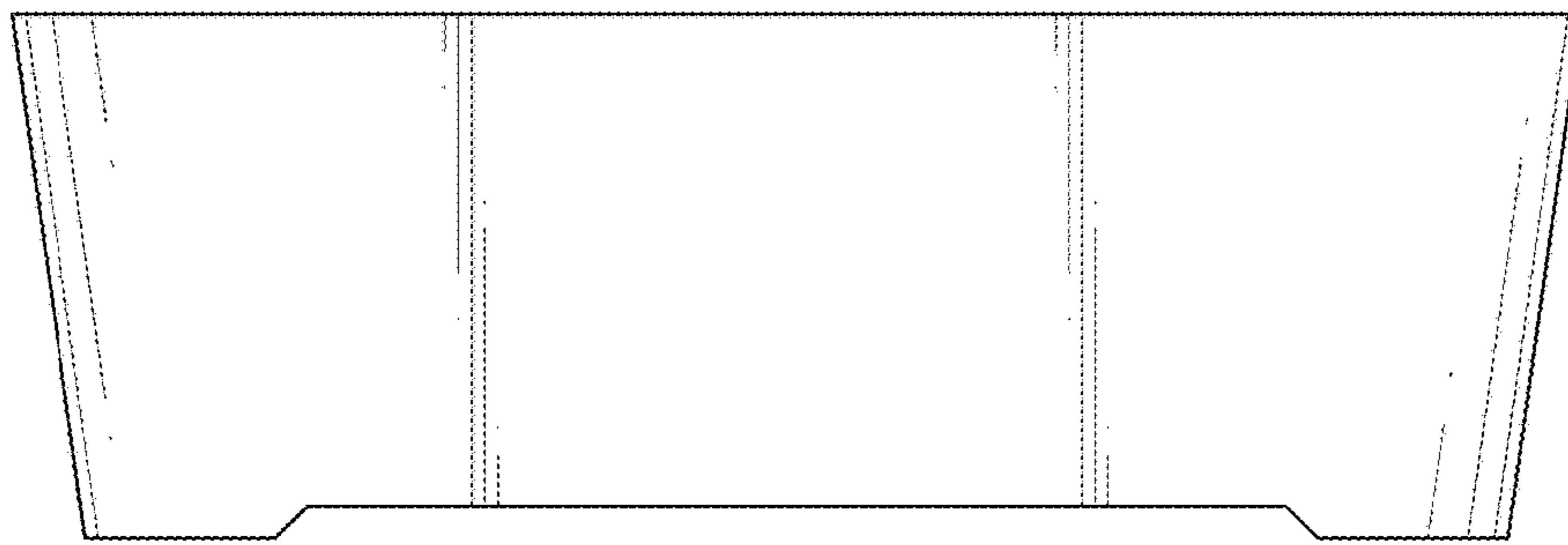


FIG.3

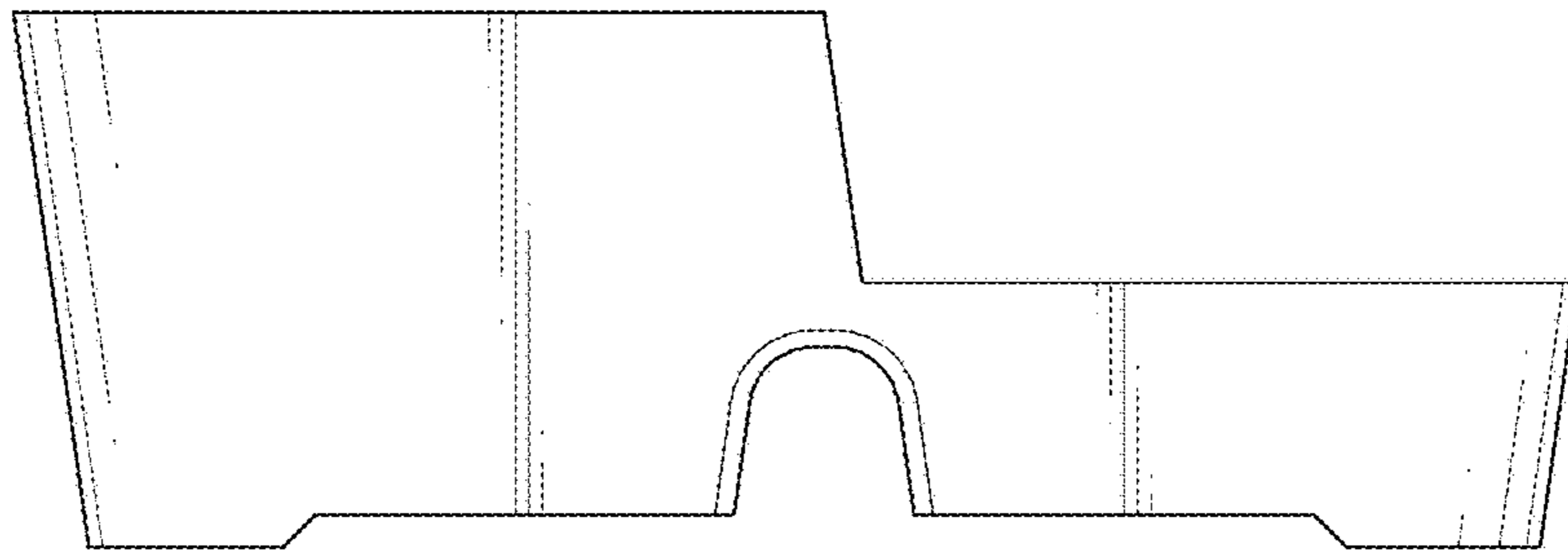


FIG.4

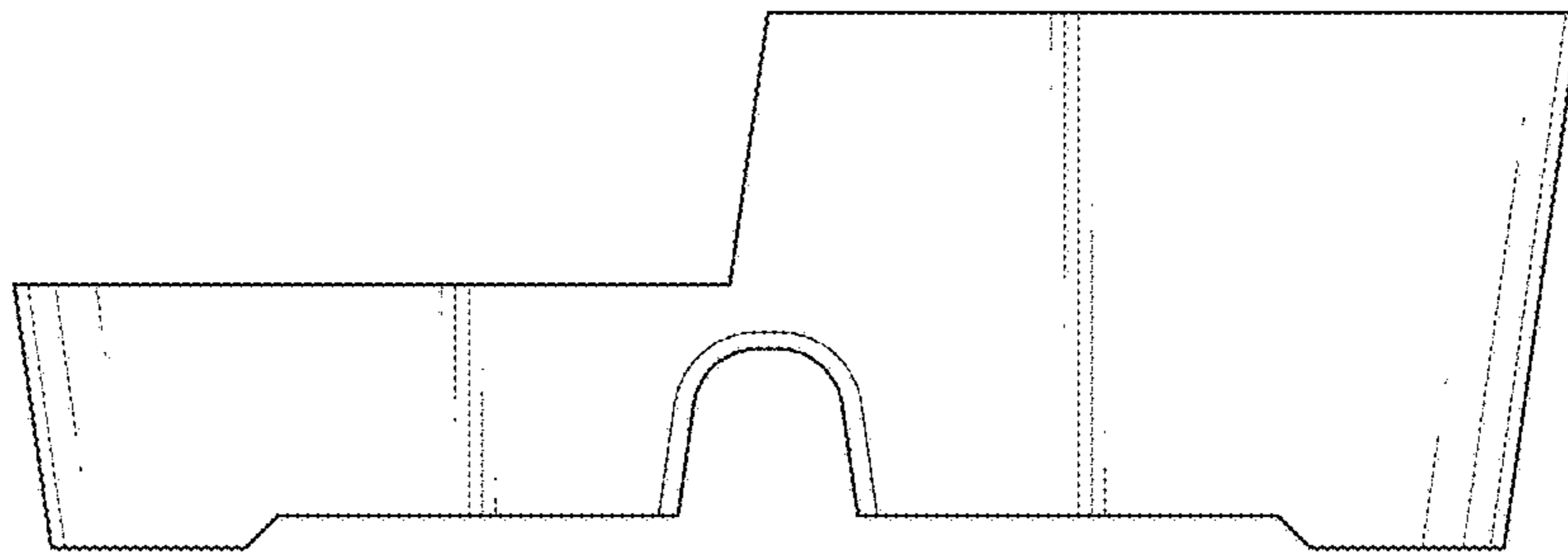


FIG.5

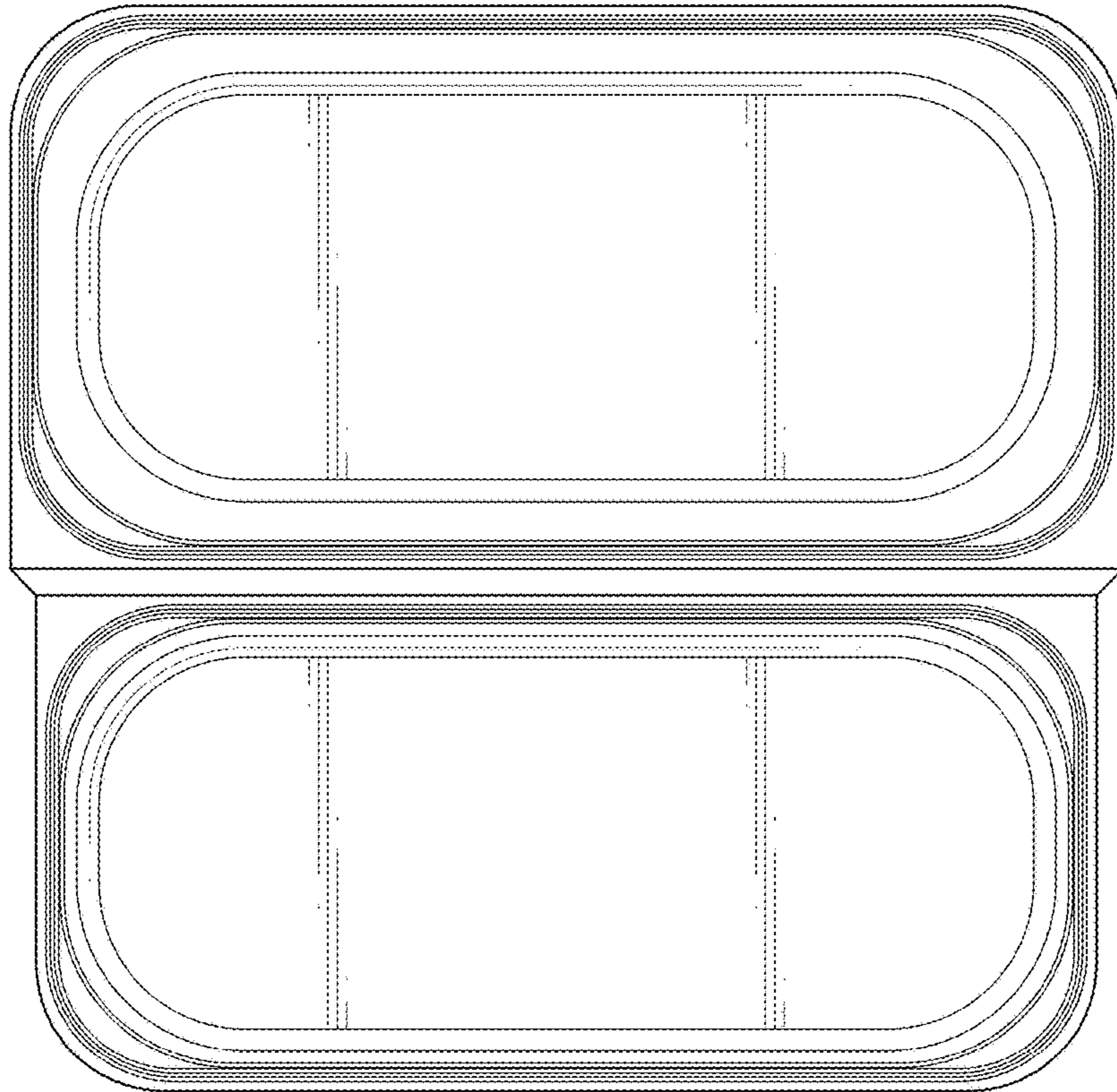


FIG.6

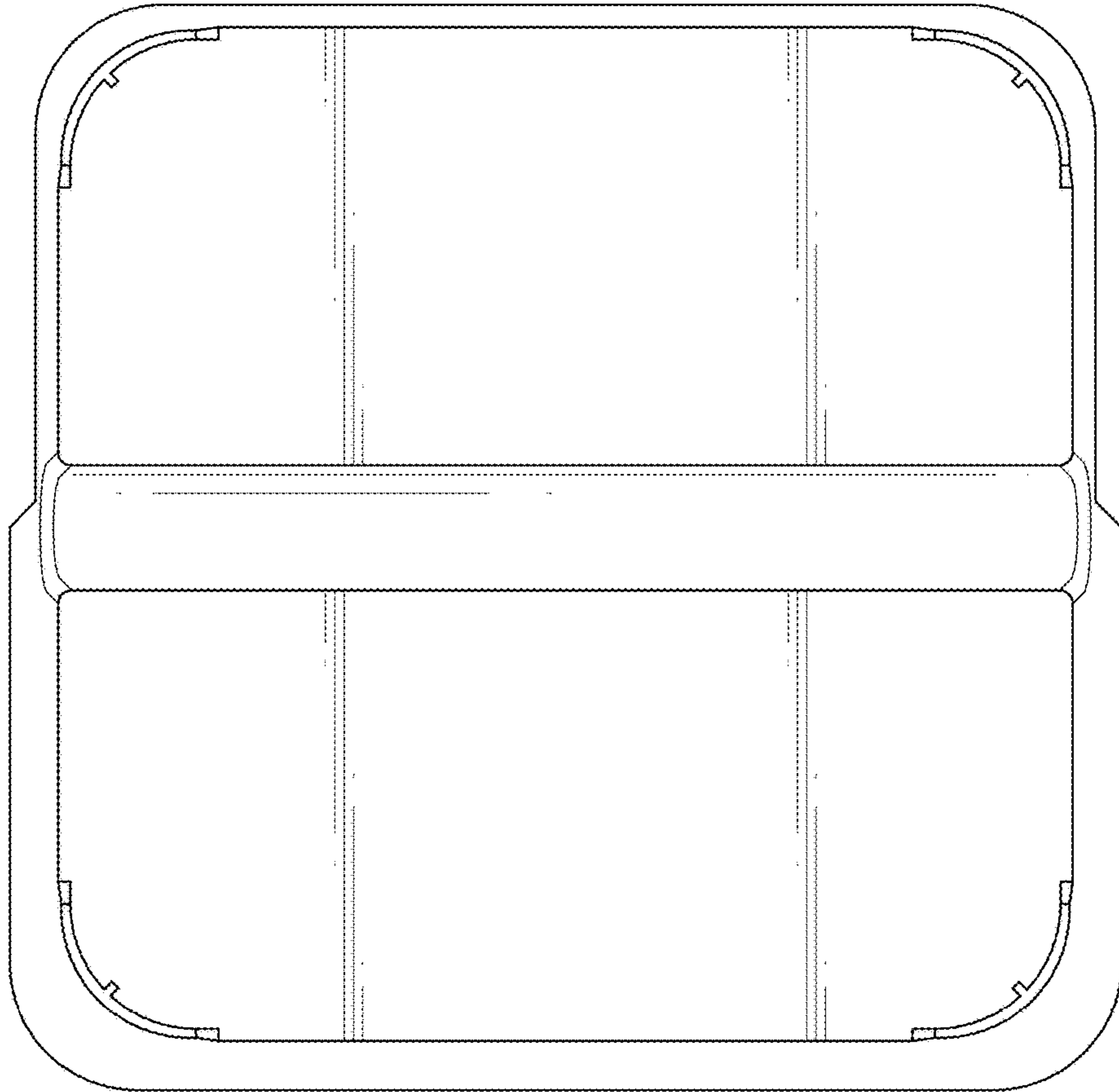


FIG.7

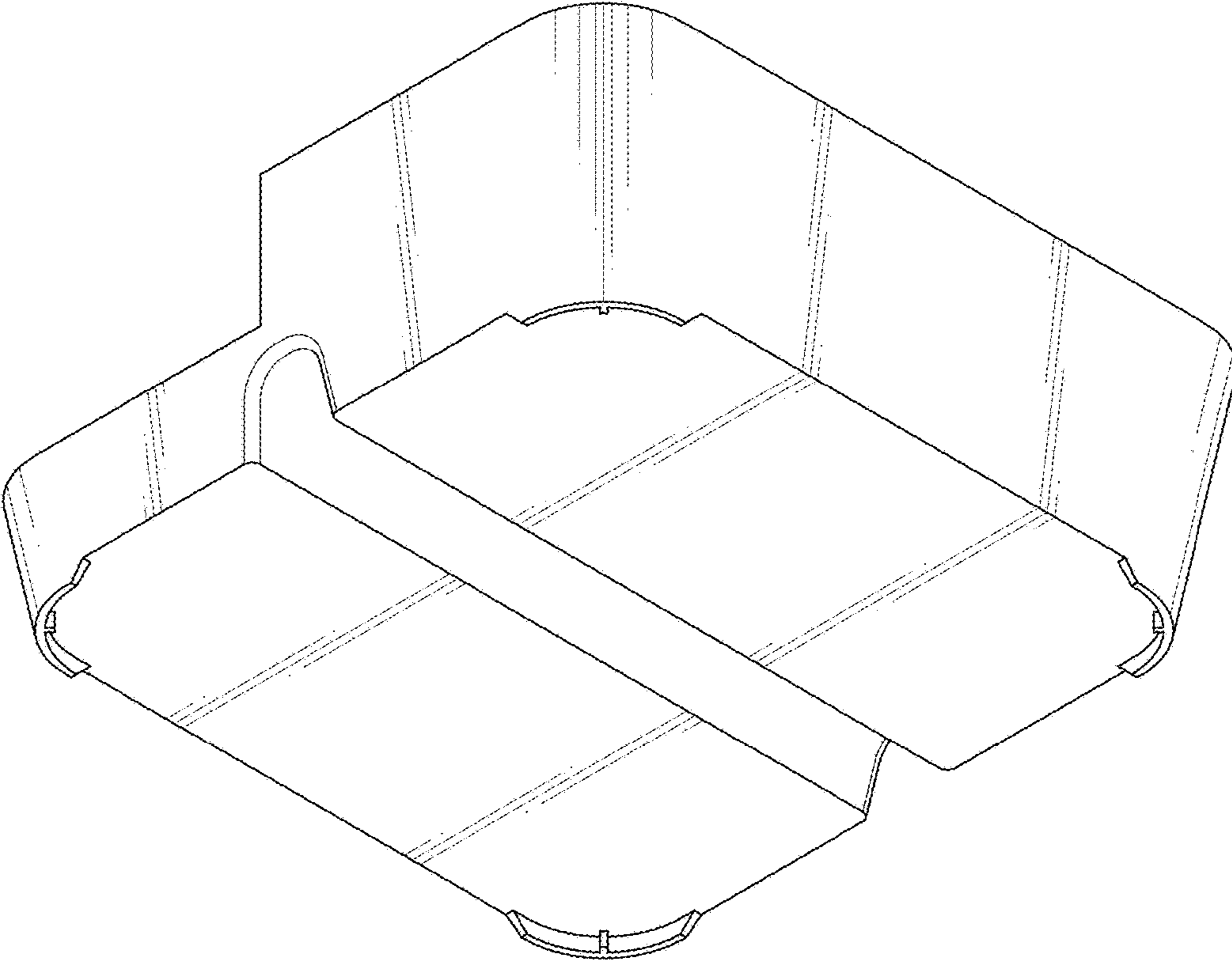


FIG.8