



US00D840740S

(12) **United States Design Patent** (10) **Patent No.:** **US D840,740 S**  
**To** (45) **Date of Patent:** **\*\* Feb. 19, 2019**

(54) **COOKING PAN RACK COMBINATION**

(71) Applicant: **Thuat The To**, Township of Washington, OH (US)

(72) Inventor: **Thuat The To**, Township of Washington, OH (US)

(\*\*) Term: **15 Years**

(21) Appl. No.: **29/629,643**

(22) Filed: **Dec. 14, 2017**

(51) **LOC (11) Cl.** ..... **07-02**

(52) **U.S. Cl.**  
USPC ..... **D7/354**; D7/602; D7/701

(58) **Field of Classification Search**  
USPC ..... D3/20, 200, 201, 271.1, 272, 273, 302, D3/304, 306, 309-315, 319, 901; D6/464-466, 474-479, 512, 515-525, D6/553, 567, 570, 571, 672, 673, 675, D6/675.1, 675.2; D7/311, 323, 326, D7/329-331, 337, 339, 346, 347, D7/350.1-350.4, 352-367, 387, 388, 391, D7/392.1, 393, 395, 401.1, 402, 407-410, D7/415, 500, 505, 538-545, 552.1, 552.2, D7/553.2, 554.3, 555-566, 584-587, D7/601.1, 602-609, 637, 672-674, 698, D7/701, 704; D9/414, 418, 420-424, D9/427, 430-435, 455, 456, 517, 737, D9/738, 739, 740, 741, 744, 745; D12/406, 411, 419, 425, 426; D14/219, D14/260.1; D24/127, 128, 216, 224, D24/227-229, 230, 232; D28/61, 73, 76; D32/55, 58; D25/1, 2, 3, 16, 56, 61, 100, D25/101  
CPC ..... A47G 19/12; A47J 27/00; A47J 27/002; A47J 27/004; A47J 27/08; A47J 27/21; A47J 27/58; A47J 35/025; A47J 45/061; A47J 45/065; A47J 45/071; A47J 45/08; A47J 29/00; A47J 29/02; A47J 29/04; A47J 29/06; A47J 36/025; A45J 37/00; A45J 37/10; A45J 37/101; A45J 37/103;

A45J 37/1204; A45J 37/0704; H05B 6/06; H05B 6/12; A01K 41/02; A01K 41/026; A01K 41/04; A23B 5/00; A23B 5/005; A23B 5/0052; B65D 11/02; B65D 1/243; B65D 2501/24019; B65D 2501/24165; B65D 2501/24152; B65D 11/18; B65D 85/32; B65D 85/30; F26B 25/18; A47F 5/0807; A47B 73/00; B65B 1/04

See application file for complete search history.

(56) **References Cited**

U.S. PATENT DOCUMENTS

D150,162 S \* 7/1948 Scaman ..... D6/675  
D219,707 S \* 1/1971 Stuart ..... D6/682.6

(Continued)

OTHER PUBLICATIONS

William and Sonoma Pasta Drying Rack: Announced Dec. 11, 2012 [online], site visited [Jan. 27, 2017]. Available from Internet URL: <http://www.williams-sonoma.com/products/pasta-dryer/#reviews>.\*

*Primary Examiner* — Jennifer Rivard

*Assistant Examiner* — Catherine S Posthauer

(74) *Attorney, Agent, or Firm* — Harpman & Harpman

(57) **CLAIM**

The ornamental design for a cooking pan rack combination, as shown and described.

**DESCRIPTION**

FIG. 1 is a perspective view of a cooking pan rack combination showing the new design.

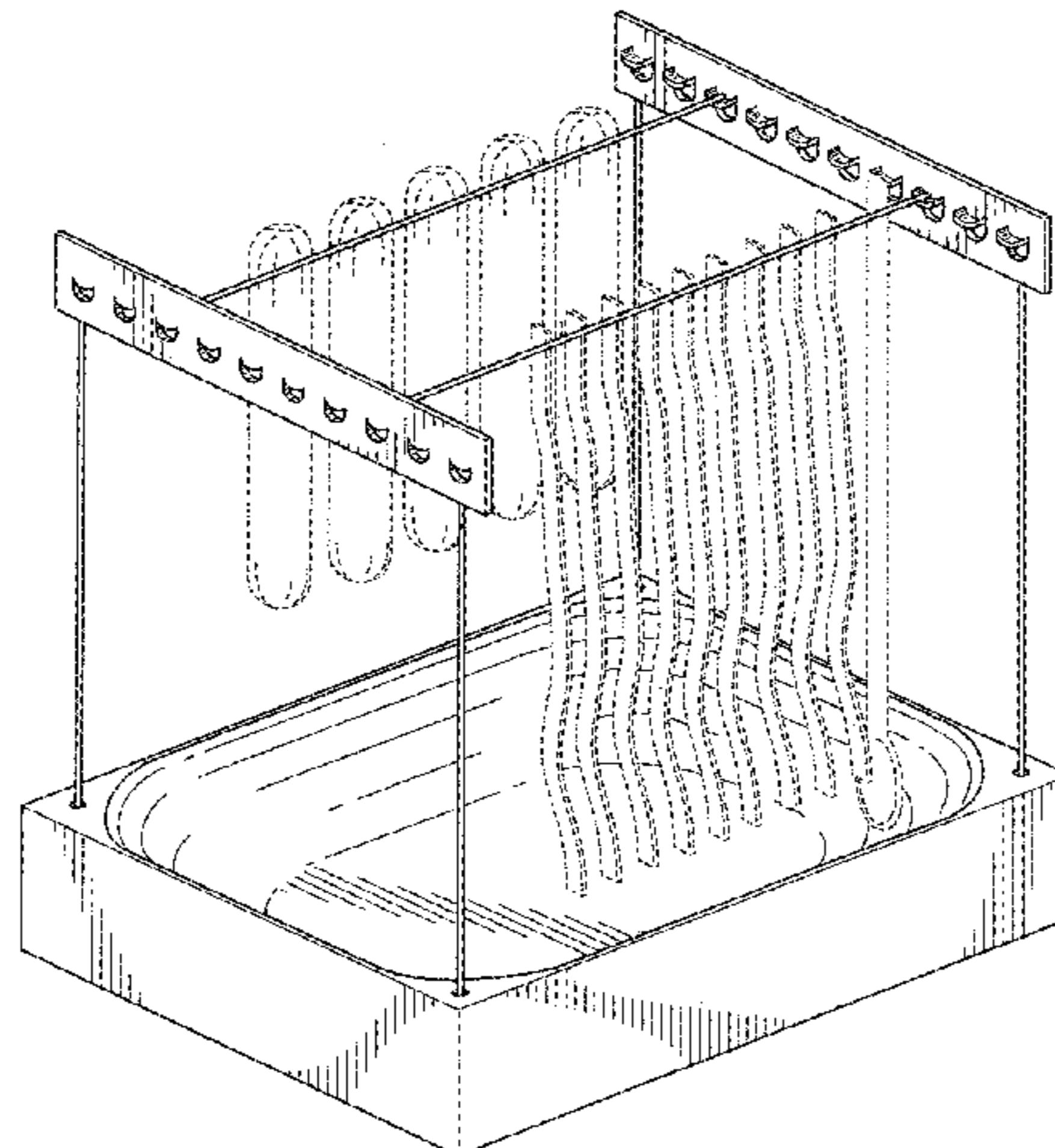
FIG. 2 is a top plan view thereof.

FIG. 3 is a bottom plan view thereof; and,

FIG. 4 is an end elevational view thereof.

The broken lines are shown for the purpose of illustrating environmental subject matter and form no part of the claim.

**1 Claim, 2 Drawing Sheets**



(56)

**References Cited**

## U.S. PATENT DOCUMENTS

D221,220	S	*	7/1971	Emmitte	.....	D24/227
D246,638	S	*	12/1977	Hegedus	.....	D34/32
D256,640	S	*	9/1980	Farwell	.....	D7/701
D267,768	S	*	2/1983	Duggan	.....	211/171
D270,470	S	*	9/1983	Levy	.....	D24/229
D289,105	S	*	4/1987	Sussman	.....	D3/302
D309,234	S	*	7/1990	Howell	.....	D7/388
D312,547	S	*	12/1990	Cooper	.....	D6/567
D325,138	S	*	4/1992	Levin	.....	D6/675.1
D346,290	S	*	4/1994	Cifra	.....	D19/90
D351,748	S	*	10/1994	Stein	.....	D6/406.4
D354,659	S	*	1/1995	Dornbush	.....	D7/673
D370,323	S	*	5/1996	Lafond	.....	D32/55
D429,085	S	*	8/2000	Welty	.....	D6/673
D429,755	S	*	8/2000	Markovitz	.....	D14/447
D460,902	S	*	7/2002	Battle	.....	D7/708
D465,891	S	*	11/2002	Brown	.....	D32/55
D488,603	S	*	4/2004	Bardenhagen-Shuster	....	D32/58
D603,188	S	*	11/2009	Wang	.....	D6/675.5
D609,498	S	*	2/2010	Wang	.....	D6/675.5
D713,180	S	*	9/2014	Johnston	.....	D6/675.2
D718,557	S	*	12/2014	Johnston	.....	D6/675.5
2003/0066521	A1	*	4/2003	Horvath	.....	A47J 37/0704 126/30
2011/0283989	A1	*	11/2011	Ikeda	.....	A47J 37/0704 126/25 A

\* cited by examiner

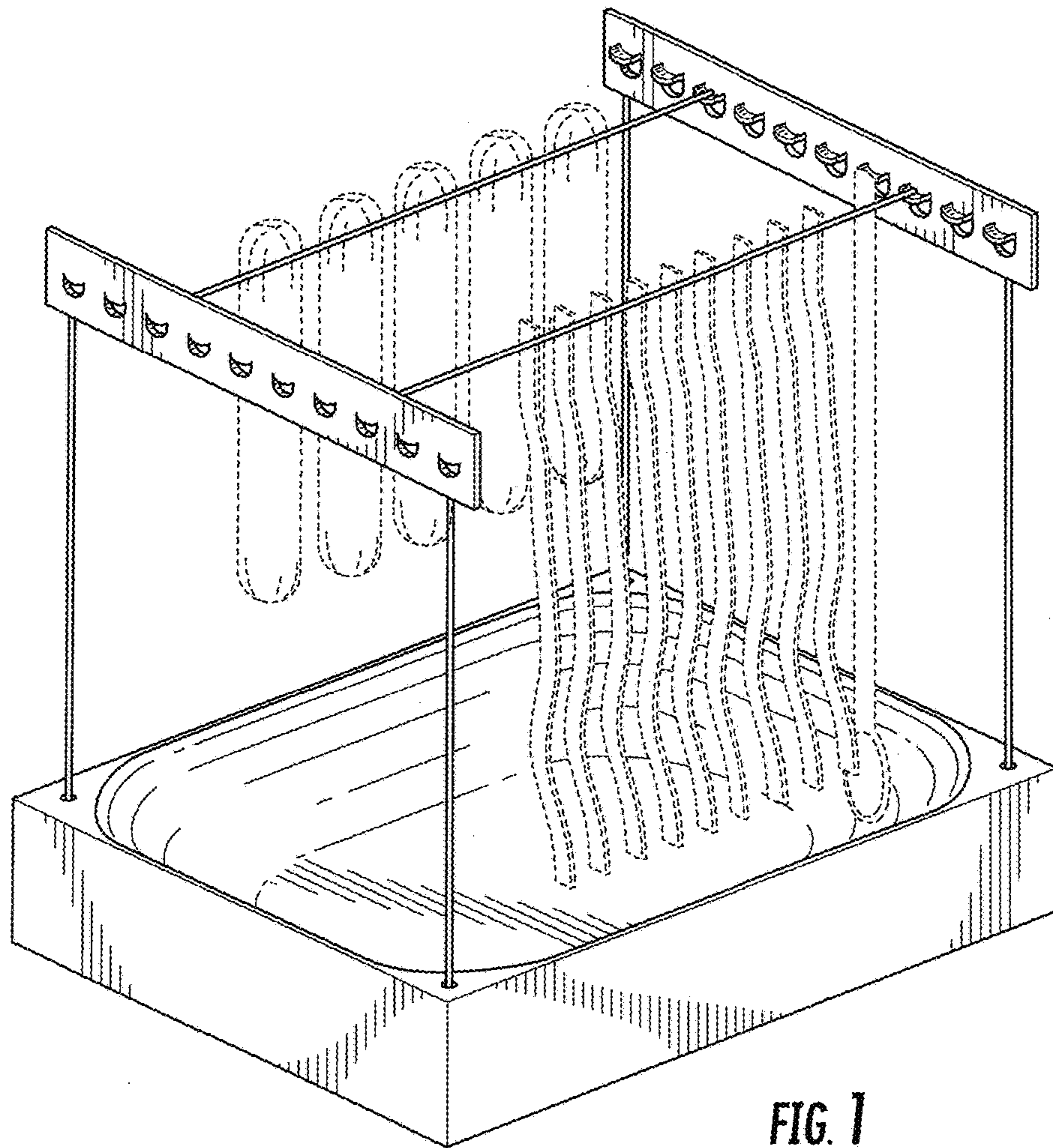


FIG. 1

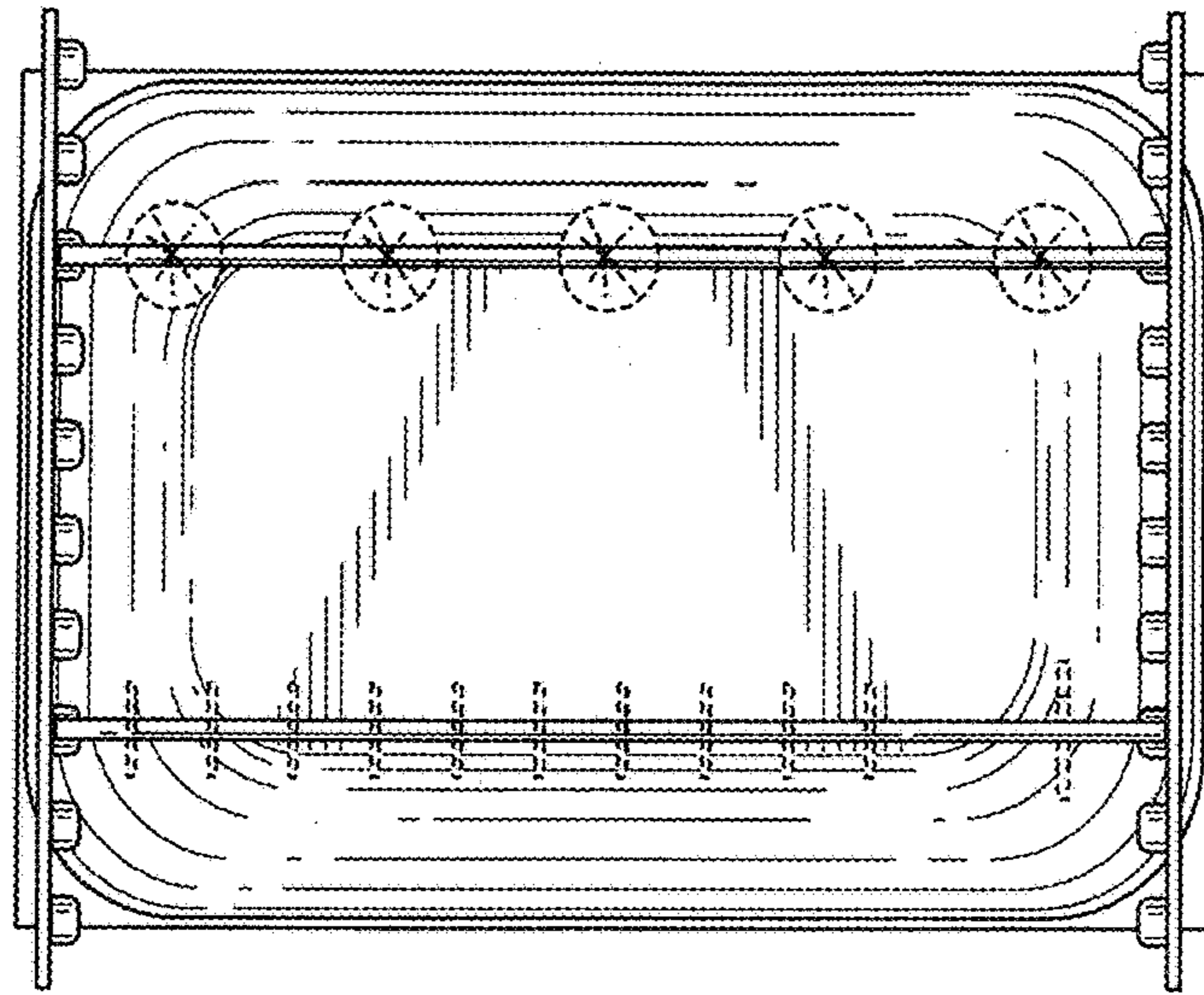


FIG. 2

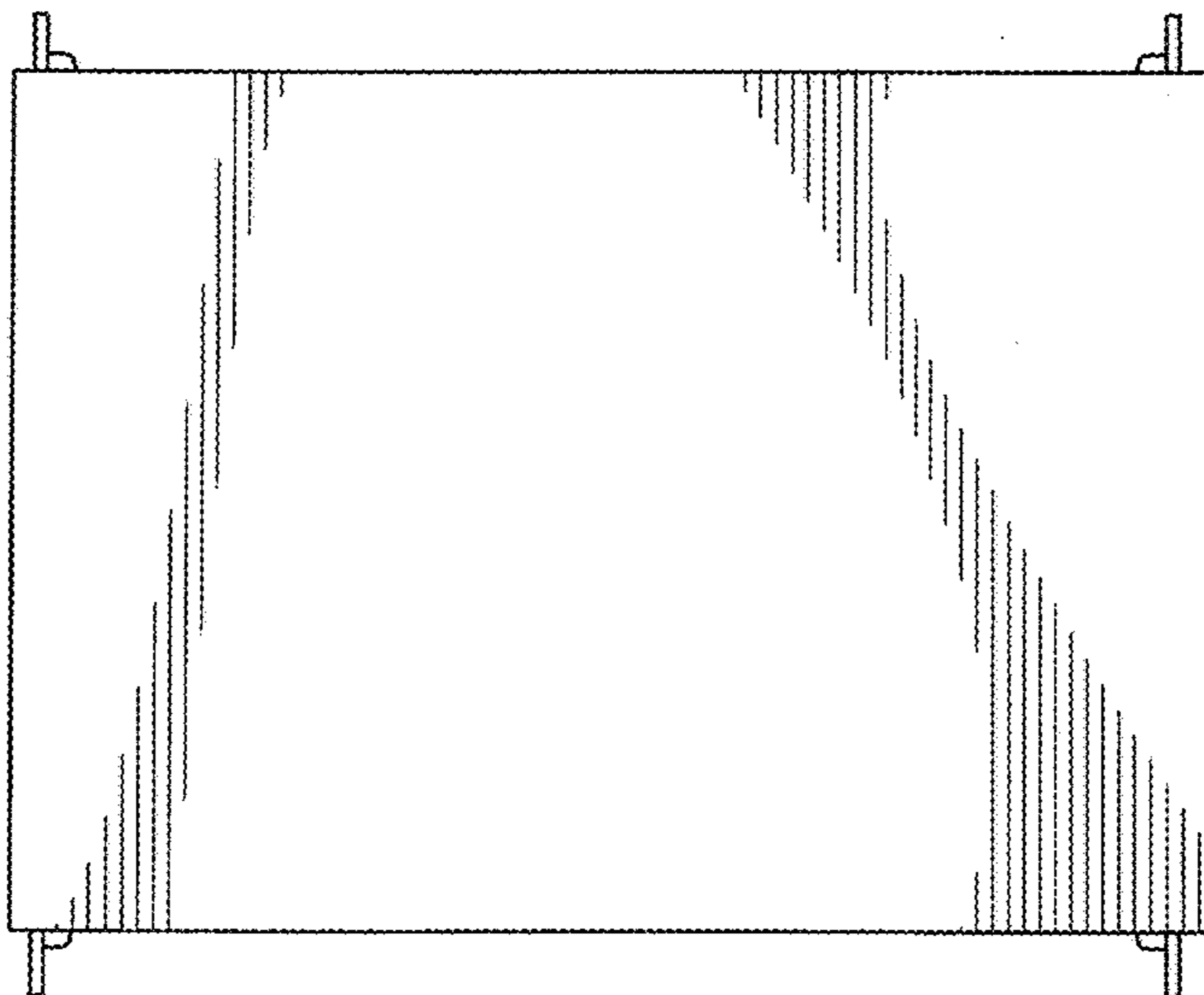


FIG. 3