



US00D840739S

(12) **United States Design Patent** (10) **Patent No.:** **US D840,739 S**
Li (45) **Date of Patent:** **** Feb. 19, 2019**

- (54) **ELECTRIC RICE COOKER** D280,064 S * 8/1985 Obata D7/360
- (71) Applicant: **Zhanjiang New Nanfang Electrical Appliance Co., Ltd., Zhanjiang, Guangdong Province (CN)** D284,257 S * 6/1986 Greb D7/355
- (72) Inventor: **Weipeng Li, Zhanjiang (CN)** D338,132 S * 8/1993 Chang D7/354
- (73) Assignee: **ZHANJIANG NEW NANFANG ELECTRICAL APPLIANCE CO., LTD., Zhanjiang, Guangdong Province (CN)** D498,115 S 11/2004 Shin
- (**) Term: **15 Years** 7,291,812 B2 * 11/2007 Kaney A47J 27/004 219/432
- (21) Appl. No.: **29/615,250** D568,101 S * 5/2008 Kaney D7/406
- (22) Filed: **Aug. 28, 2017** D641,202 S * 7/2011 Bock D7/354
- (51) **LOC (11) Cl.** **07-02** D667,680 S * 9/2012 Bock D7/354
- (52) **U.S. Cl.** **D7/354** D684,806 S 6/2013 Nakatani
- (58) **Field of Classification Search** D698,594 S * 2/2014 Kunz D7/354
- USPC D7/323, 354-361, 406 D765,460 S 9/2016 Akiyama
- CPC A47J 27/00; A47J 27/04; A47J 27/004; A47J 27/05; A47J 27/08; A47J 27/09; A47J 27/092; A47J 36/025; A47J 36/06; A47J 36/08; A47J 36/10; A47J 36/12; A47J 37/12; A47J 37/1204; A47J 37/1209; H05B 6/02; H05B 6/06; H05B 6/12
- See application file for complete search history.
- (56) **References Cited** D787,881 S * 5/2017 Barquin D7/354
- U.S. PATENT DOCUMENTS D788,517 S 6/2017 Barquin et al.
- D170,766 S * 11/1953 Petertil D7/360 D809,852 S * 2/2018 Chang D7/360
- D176,002 S * 11/1955 Boldt D7/360 2008/0083730 A1 * 4/2008 Dolgov A47J 27/004 219/432

* cited by examiner

Primary Examiner — Ricky Pham

(74) *Attorney, Agent, or Firm* — Muncy, Geissler, Olds & Lowe, P.C.

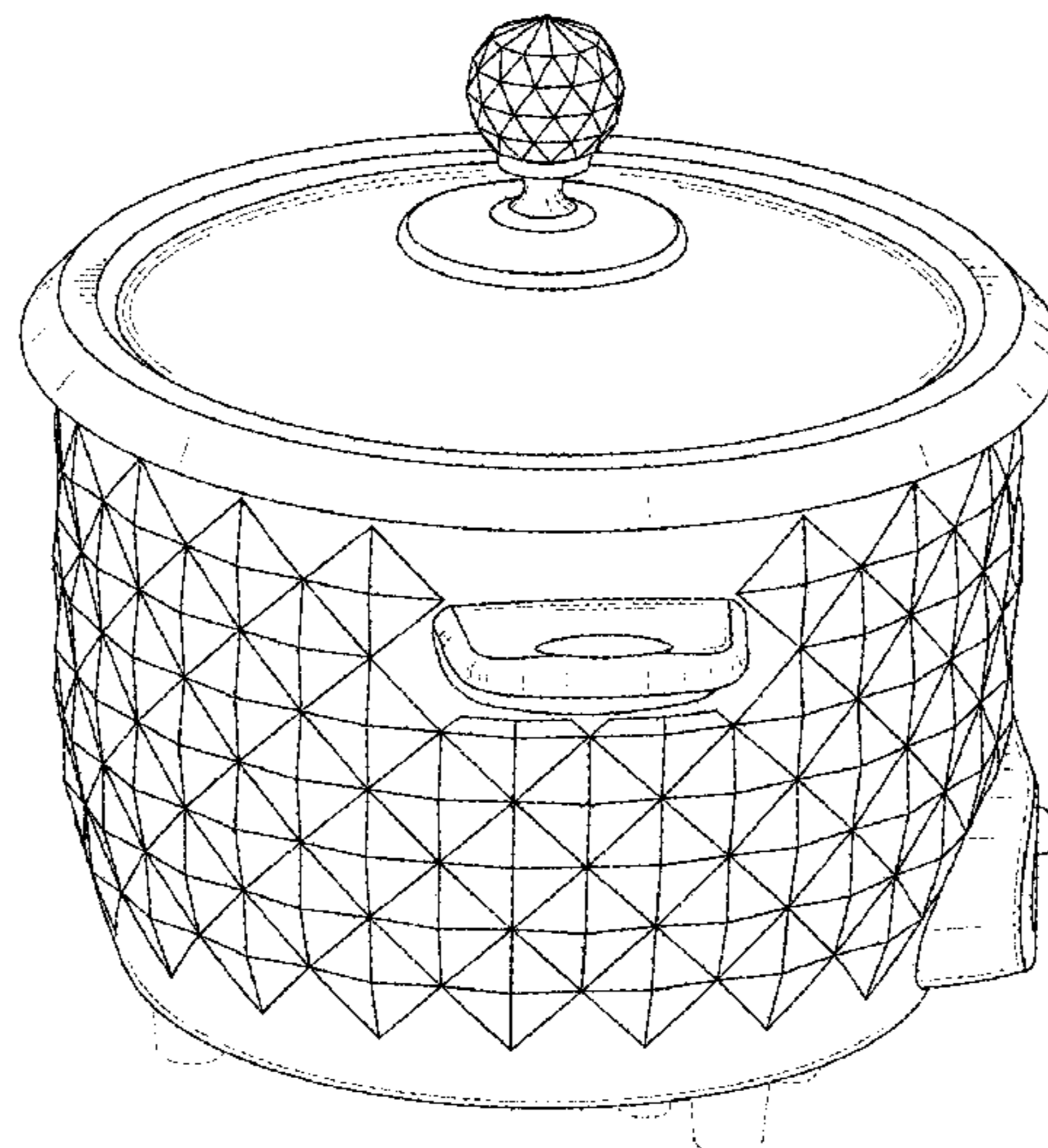
(57) **CLAIM**

The ornamental design for an electric rice cooker, as shown and described.

DESCRIPTION

FIG. 1 is a front elevational view of an electric rice cooker; FIG. 2 is a rear elevational view thereof; FIG. 3 is a top plan view thereof; FIG. 4 is a bottom plan view thereof; FIG. 5 is a left side view thereof; FIG. 6 is a right side view thereof; and, FIG. 7 is a perspective view thereof.

1 Claim, 7 Drawing Sheets



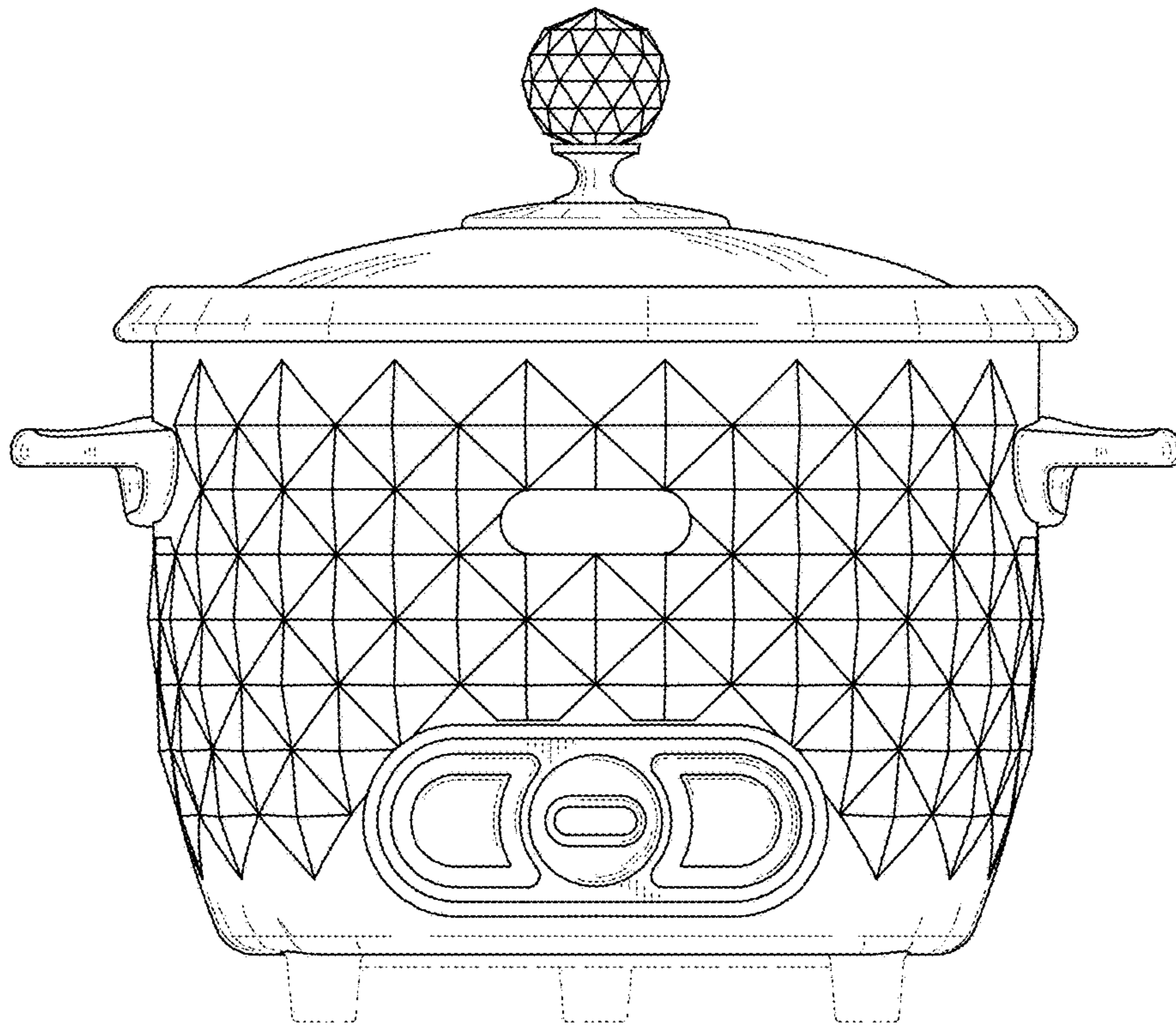


FIG. 1

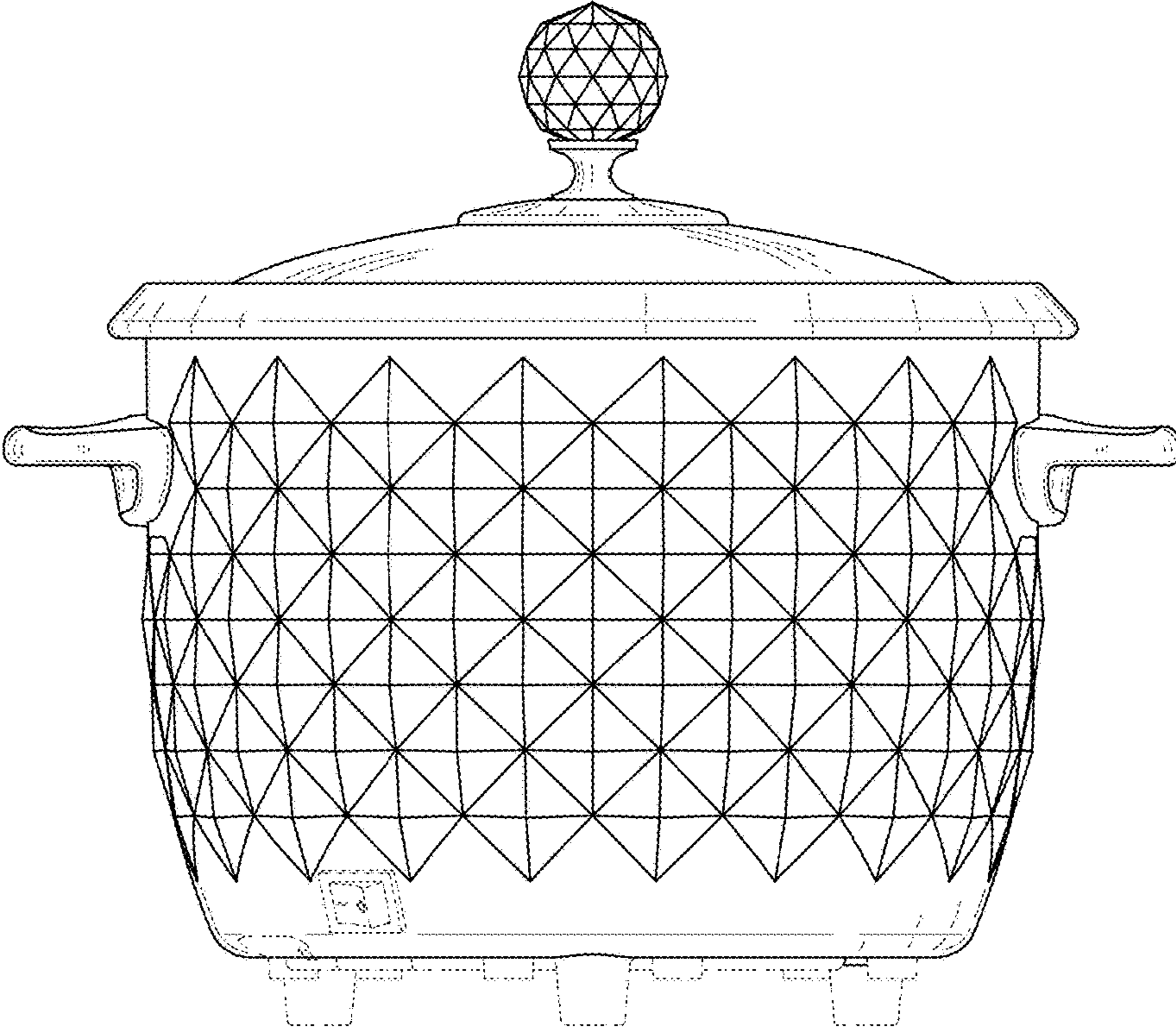


FIG. 2

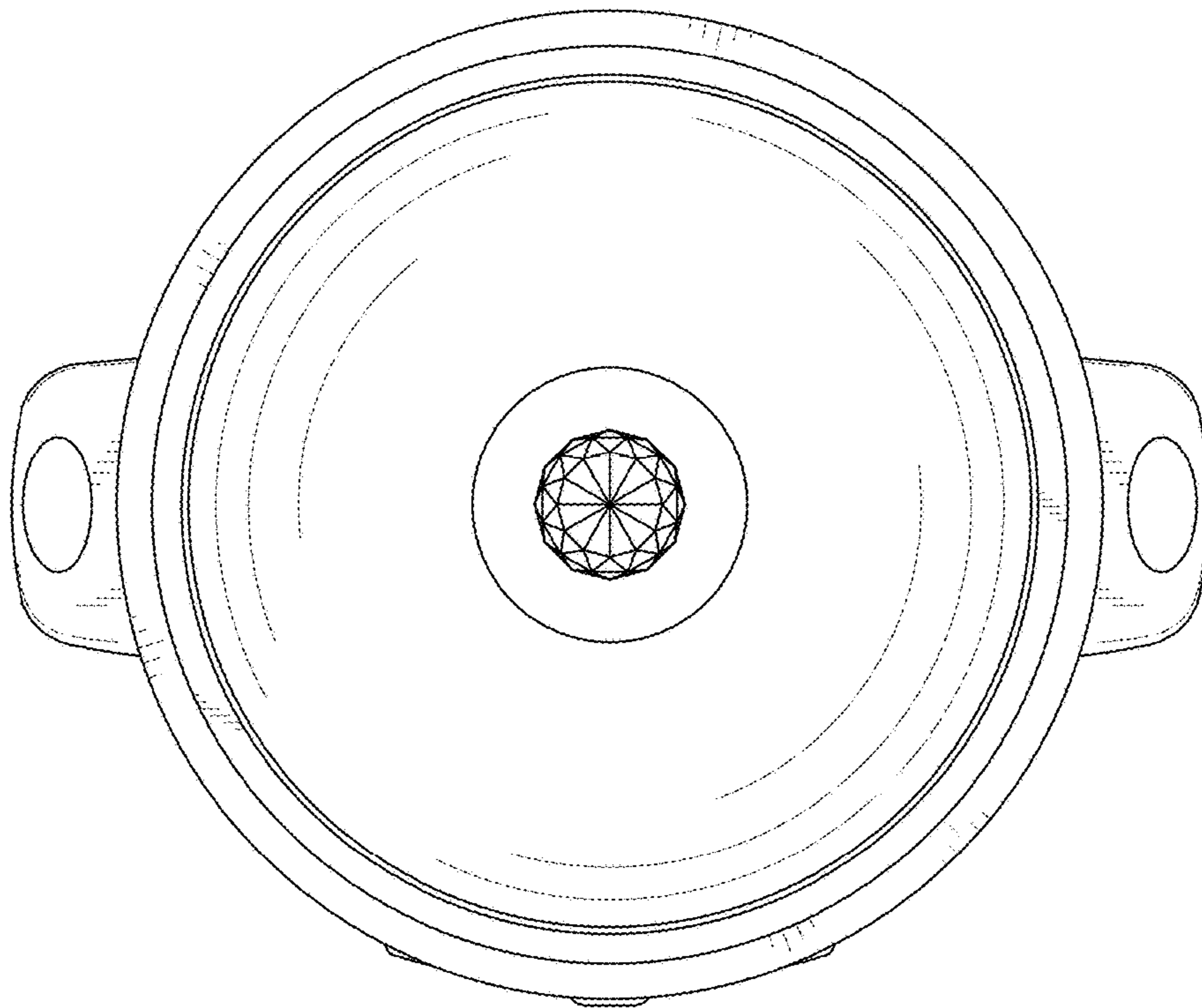


FIG. 3

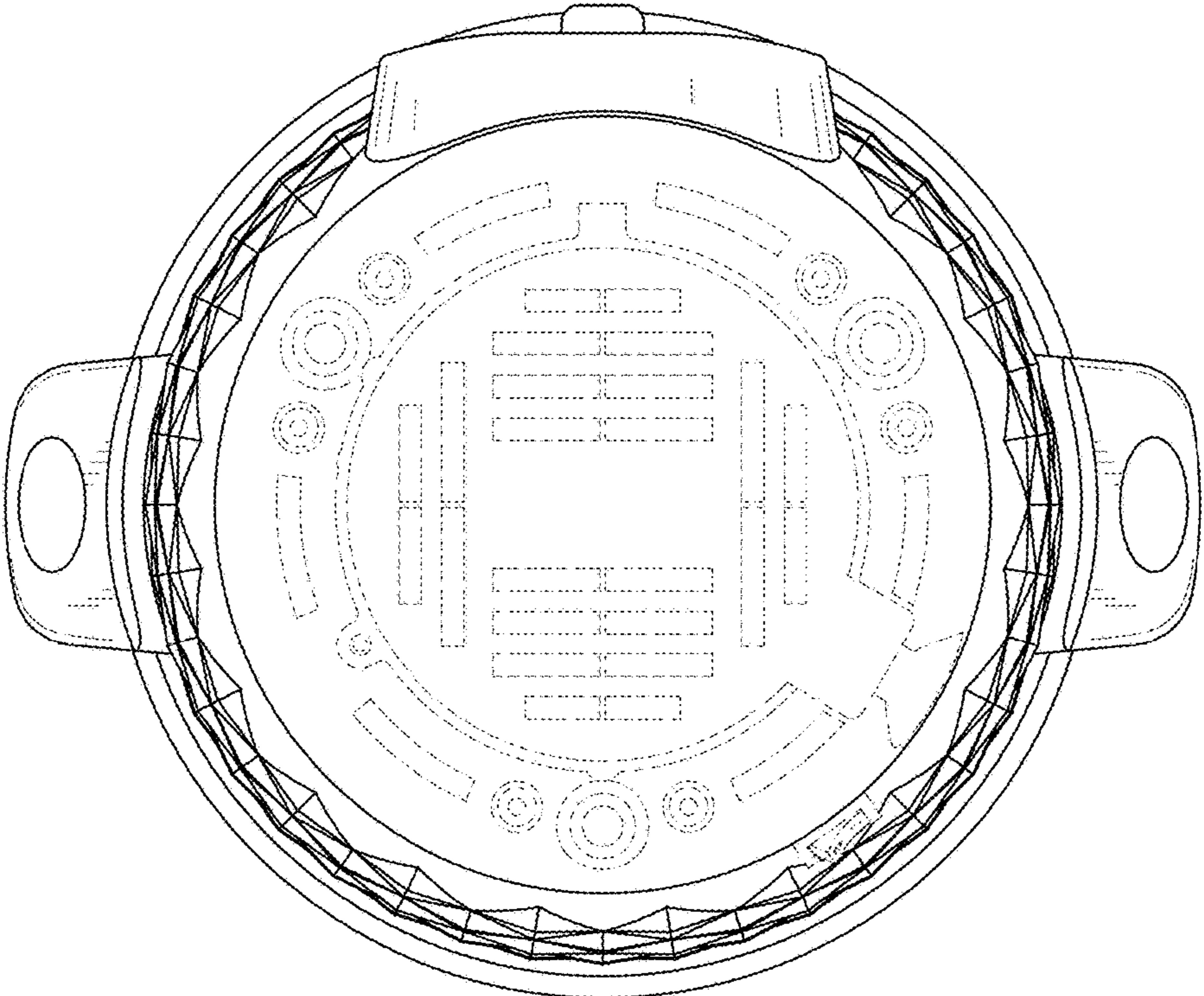


FIG. 4

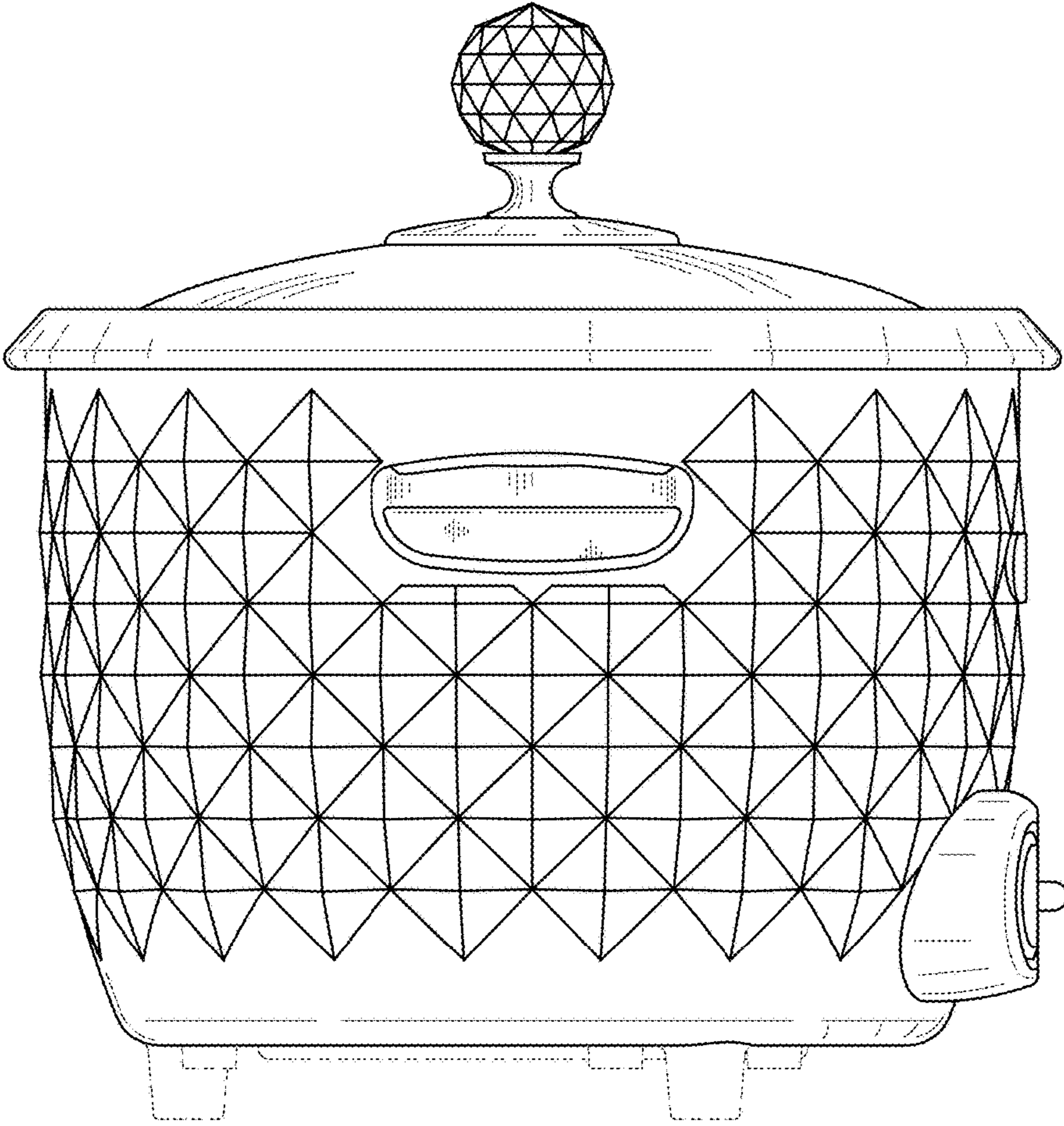


FIG. 5

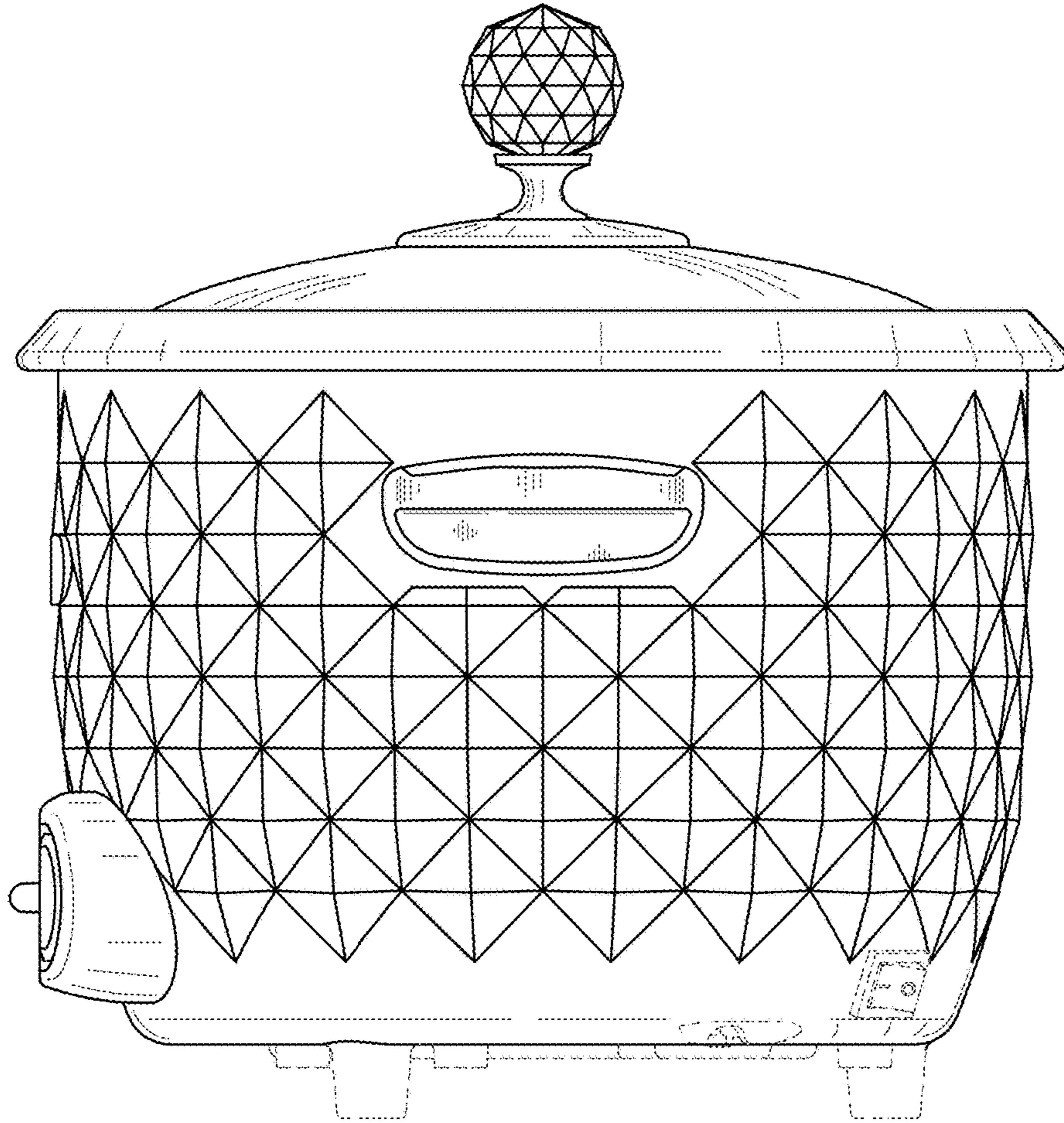


FIG. 6

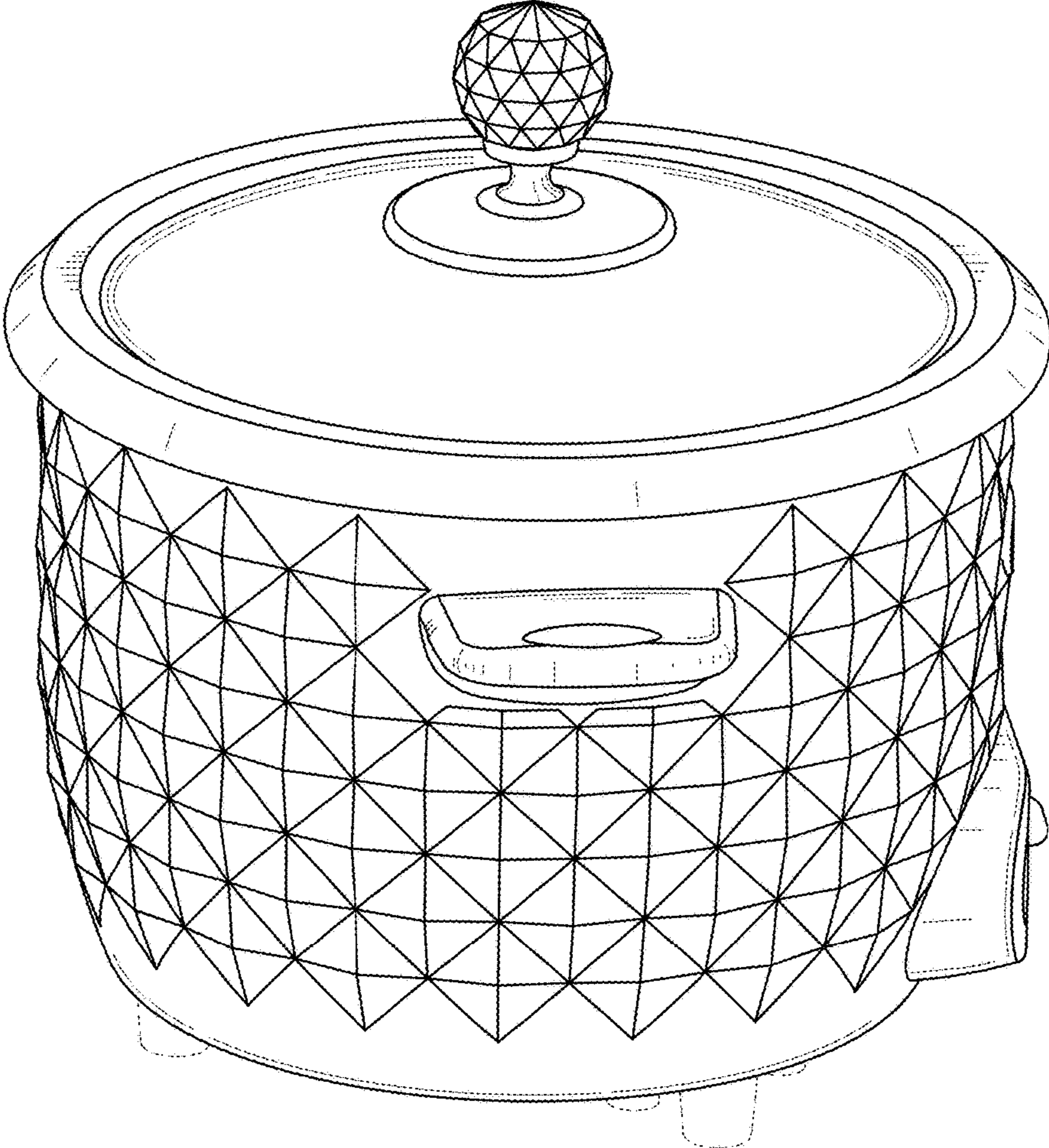


FIG. 7