



US00D840738S

(12) **United States Design Patent** (10) **Patent No.:** **US D840,738 S**
Chung et al. (45) **Date of Patent:** **** Feb. 19, 2019**

(54) **GAS OVEN RANGE**

(56) **References Cited**

(71) Applicant: **LG ELECTRONICS INC.**, Seoul (KR)

U.S. PATENT DOCUMENTS

(72) Inventors: **Wookjun Chung**, Seoul (KR);
Myungshik Kim, Seoul (KR);
Sangwoog Cho, Seoul (KR); **Jaehun Chung**, Seoul (KR); **Sangwoo Kim**, Seoul (KR)

D564,282 S *	3/2008	Suh	D7/340
D605,456 S *	12/2009	Bengtson	D7/340
D696,554 S *	12/2013	Kim	D7/406
D704,978 S *	5/2014	Kim	D7/340
D755,563 S *	5/2016	Kim	D7/406
D781,096 S *	3/2017	Kim	D7/339
D786,006 S *	5/2017	Chung	D7/340
D787,257 S *	5/2017	Kim	D7/339
D788,513 S *	6/2017	Chung	D7/323
D808,706 S *	1/2018	Kim	D7/340
D808,707 S *	1/2018	Kim	D7/340
D818,303 S *	5/2018	Kim	D7/340

(73) Assignee: **LG ELECTRONICS INC.**, Seoul (KR)

(**) Term: **15 Years**

* cited by examiner

(21) Appl. No.: **35/503,660**

Primary Examiner — Sheryl Lane

(22) Filed: **Mar. 15, 2017**

Assistant Examiner — Nicole C Shiflet

(80) **Hague Agreement Data**

Int. Filing Date: **Mar. 15, 2017**

Int. Reg. No.: **DM/095335**

Int. Reg. Date: **Mar. 15, 2017**

Int. Reg. Pub. Date: **Sep. 15, 2017**

(74) *Attorney, Agent, or Firm* — Birch, Stewart, Kolasch & Birch, LLP

(57) **CLAIM**

The ornamental design for a gas oven range, as shown and described.

(30) **Foreign Application Priority Data**

DESCRIPTION

Sep. 27, 2016 (KR) 30-2016-0046586

(51) **LOC (11) Cl.** **07-02**

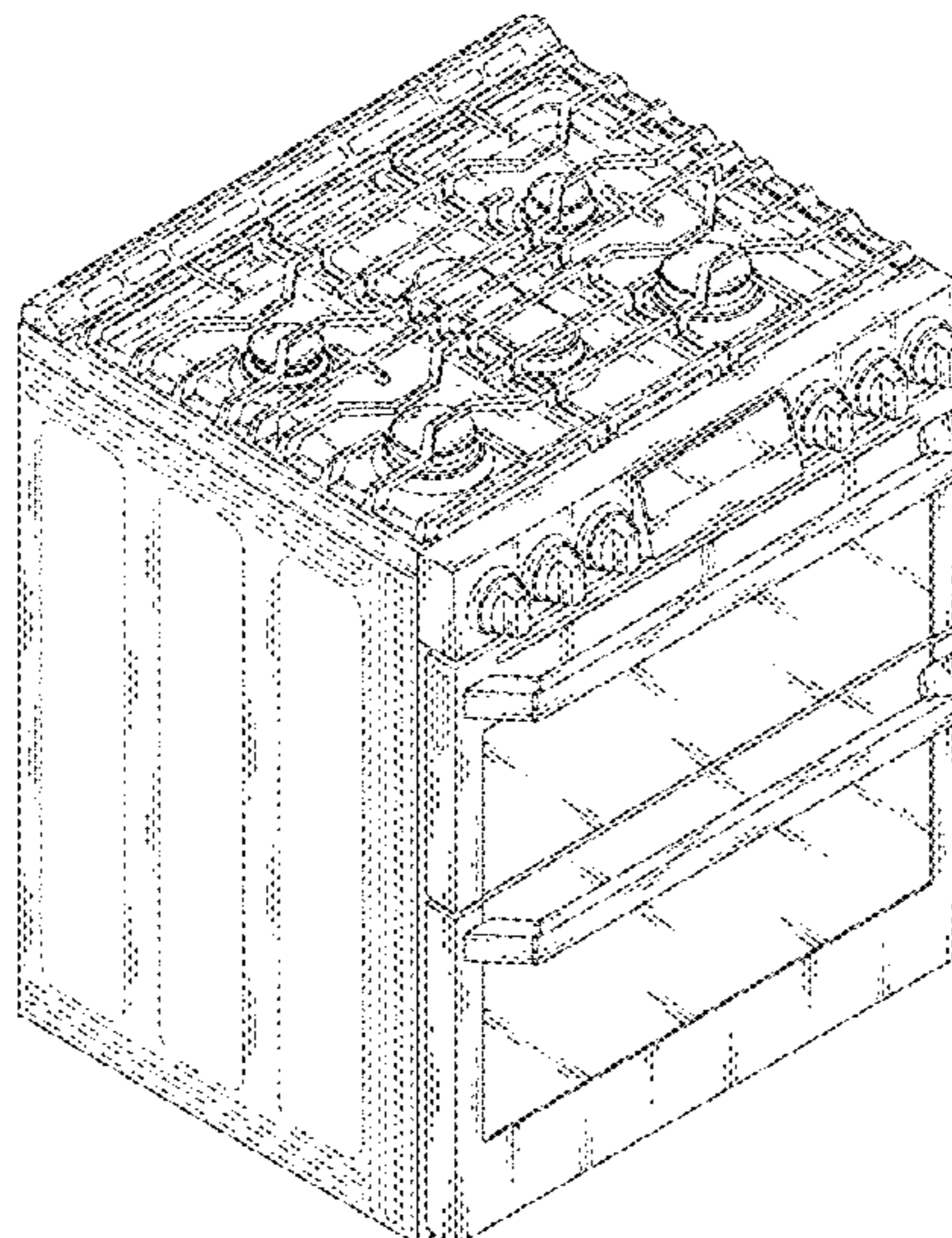
(52) **U.S. Cl.**
USPC **D7/340**

(58) **Field of Classification Search**
USPC D7/402–408, 323, 331–335, 339–340,
D7/346–349, 350.1–351
CPC .. H05B 1/0261; H05B 1/0263; H05B 1/0266;
F24C 3/00; F24C 3/002; F24C 3/008;
F24C 5/00; F24C 7/00; F24C 15/02;
F24C 15/024

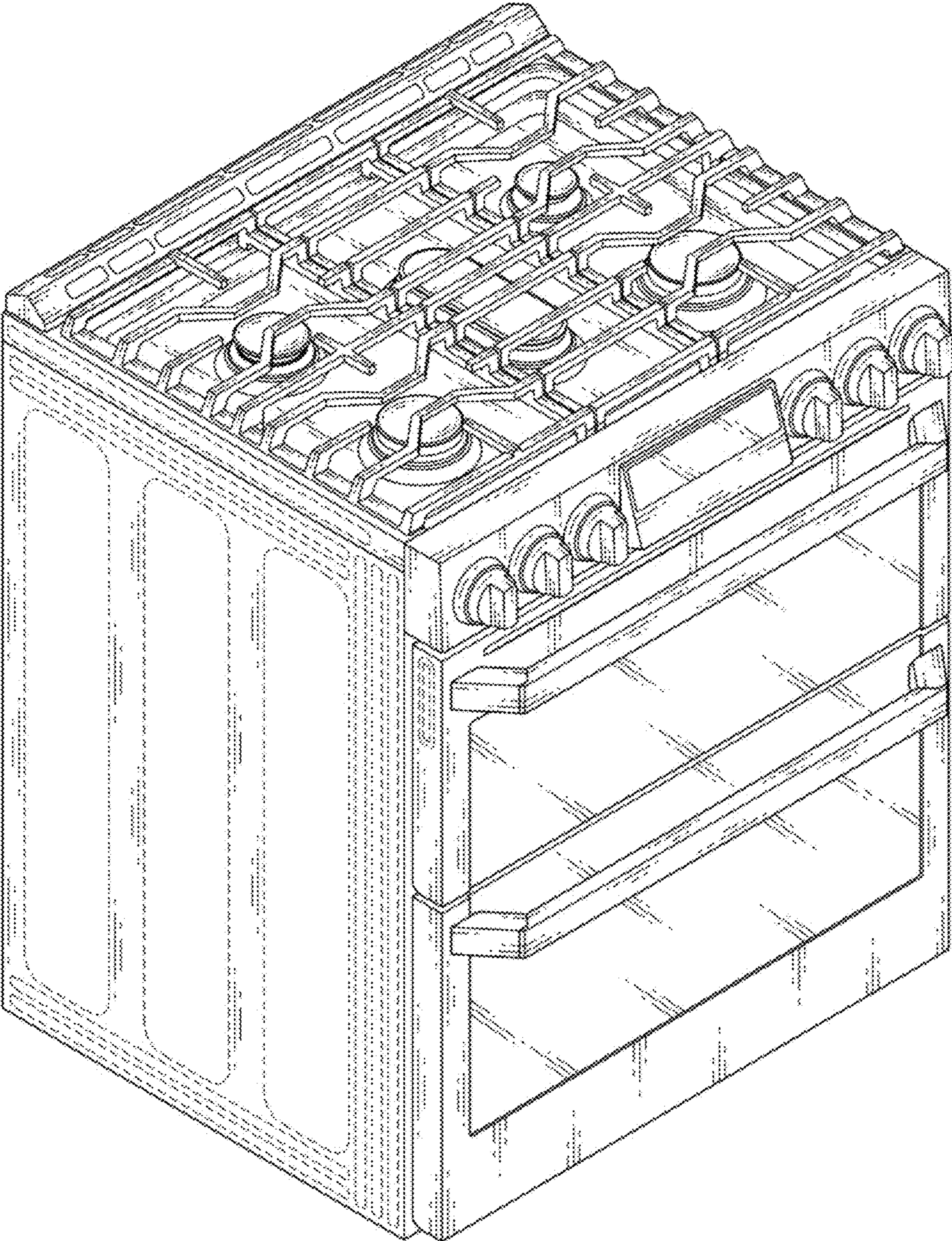
1. Gas oven range
1.1 is a front perspective view of a gas oven range, showing our new design;
1.2 is a front elevation view thereof;
1.3 is a rear elevation view thereof;
1.4 is a left-side elevation view thereof;
1.5 is a right-side elevation view thereof;
1.6 is a top plan view thereof; and
1.7 is a bottom plan view thereof.
The broken lines showing portions of the article form no part of the claimed design.

See application file for complete search history.

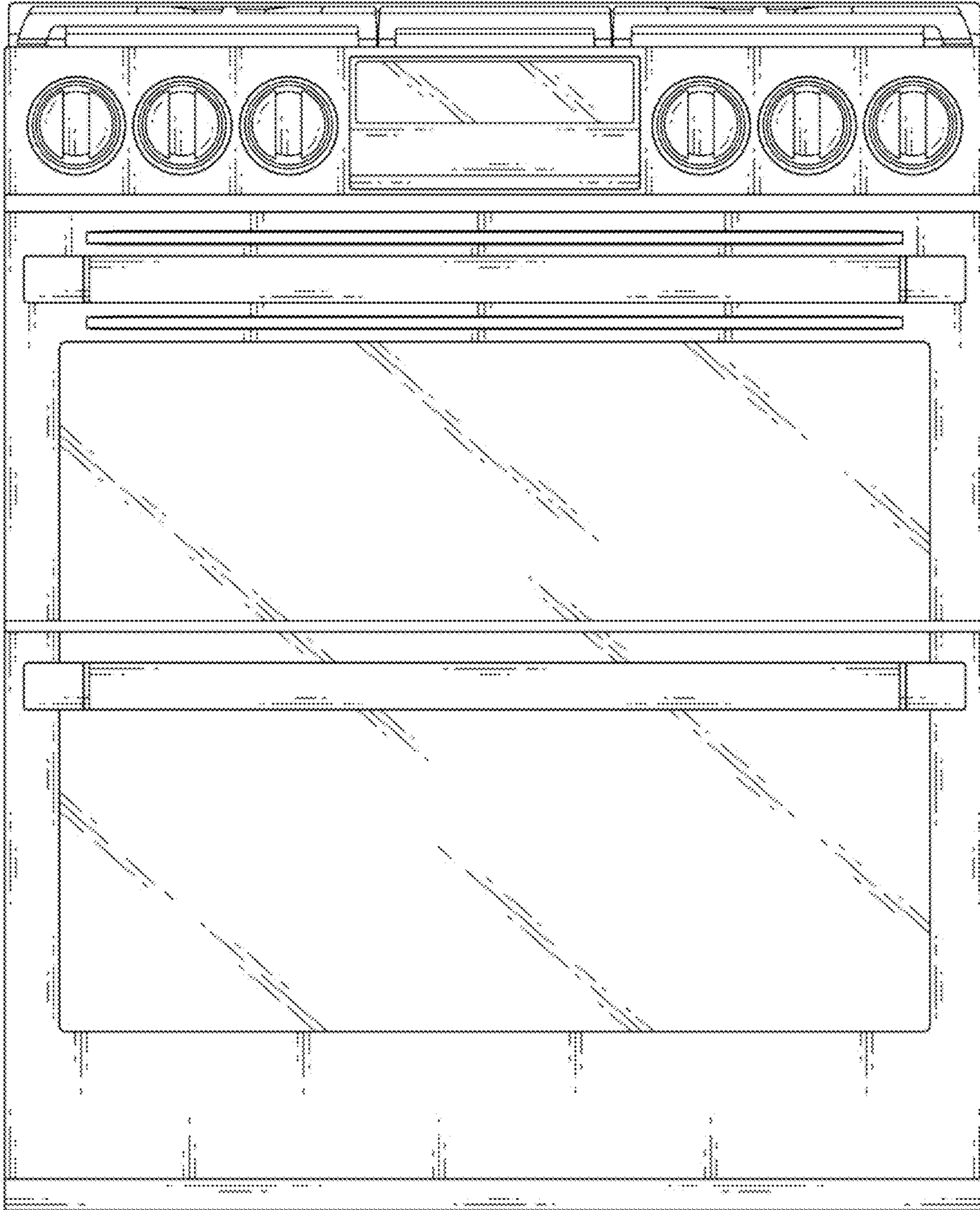
1 Claim, 7 Drawing Sheets



1.1



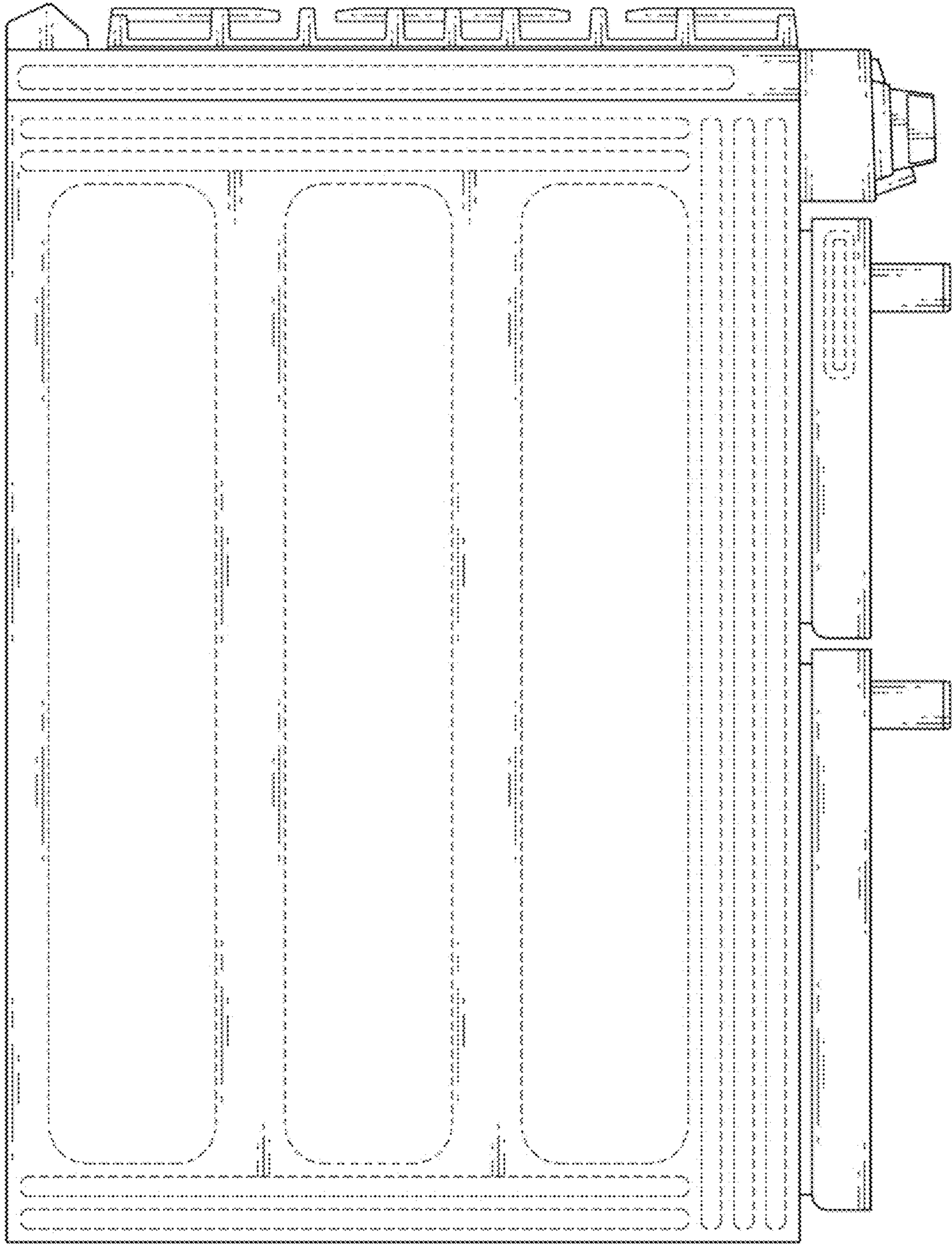
1.2



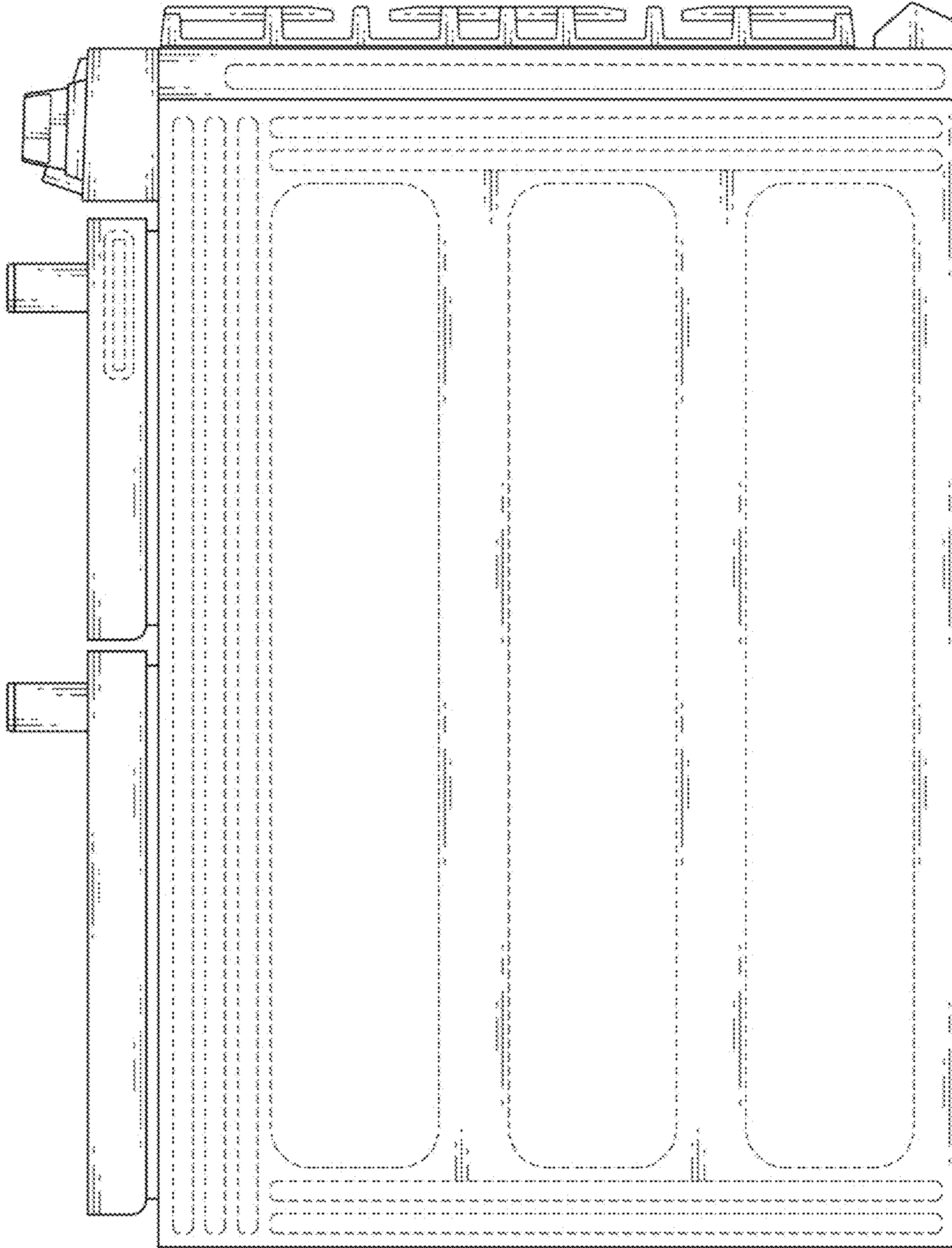
1.3



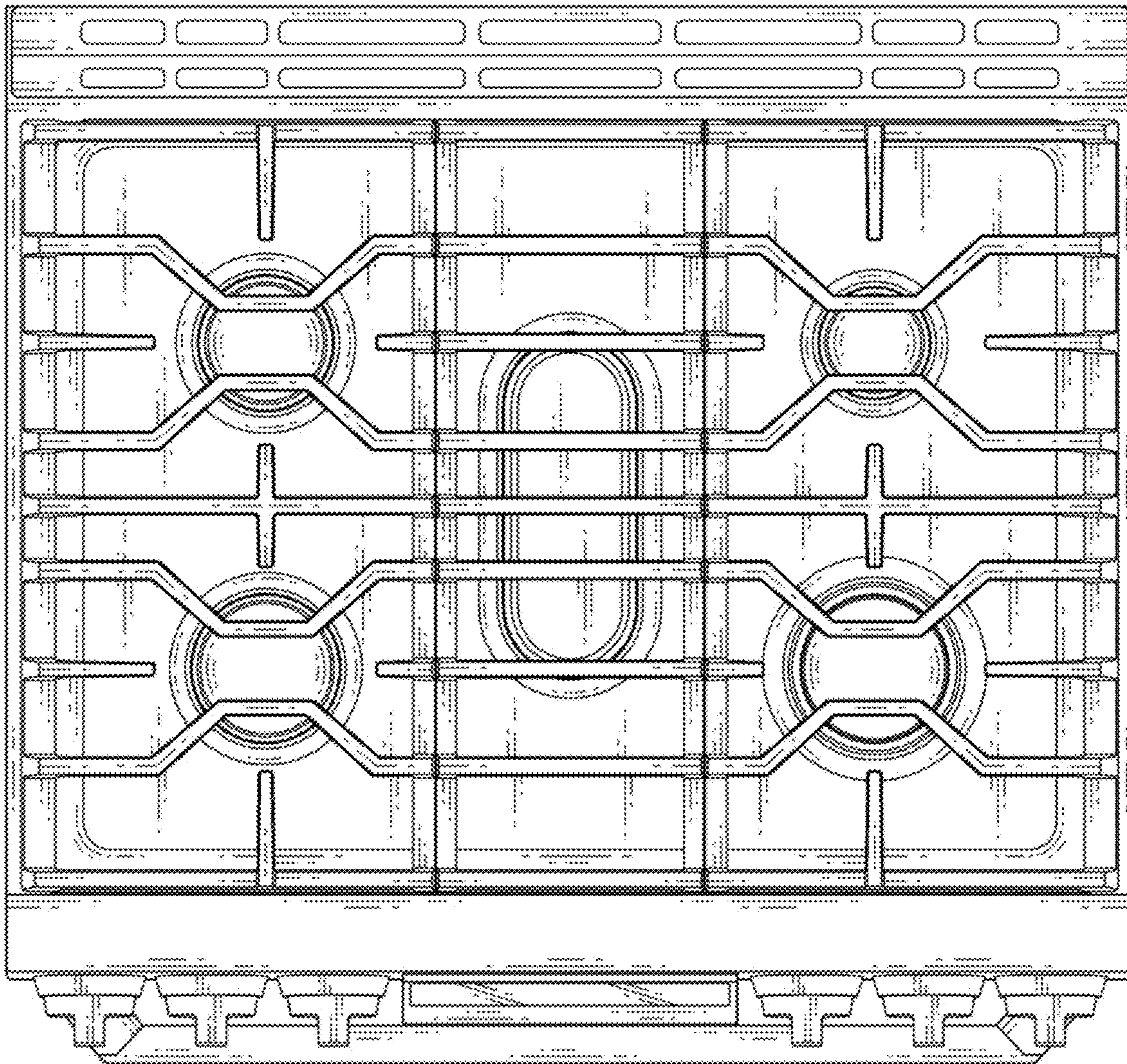
1.4



1.5



1.6



1.7

