



US00D840737S

(12) **United States Design Patent**
Berge

(10) **Patent No.:** **US D840,737 S**

(45) **Date of Patent:** **** Feb. 19, 2019**

(54) **MICROWAVE COOKER**

5,310,981 A * 5/1994 Sarnoff A47J 27/088
126/369

(71) Applicant: **National Presto Industries, Inc.**, Eau
Claire, WI (US)

D360,102 S * 7/1995 Geissler D7/323
7,118,003 B2 * 10/2006 Sellari B65D 43/021
220/266

(72) Inventor: **Michael R. Berge**, Eau Claire, WI (US)

(Continued)

(73) Assignee: **National Presto Industries, Inc.**, Eau
Claire, WI (US)

OTHER PUBLICATIONS

(**) Term: **15 Years**

Cuisinart Silicon Construction, Bowl Dishwasher Safe, Durable,
Microwave Popcorn Maker—Red/White, Web printout, May 26,
2017, 7 pages.

(21) Appl. No.: **29/603,858**

(Continued)

(22) Filed: **May 12, 2017**

Primary Examiner — Freda S Nunn

(51) **LOC (11) Cl.** **07-01**

(74) *Attorney, Agent, or Firm* — Patterson Thuente
Pedersen, P.A.

(52) **U.S. Cl.**

USPC **D7/323**

(58) **Field of Classification Search**

(57) **CLAIM**

USPC D6/631; D7/323, 325, 337, 339,
D7/346–347, 350.1, 350.4, 354, 357, 362,
D7/391, 602, 629; D9/428

I claim the ornamental design for microwave cooker, as
shown and described.

CPC . A23L 1/01; A23L 1/0128; A23L 1/10; A23L
1/18; A23L 1/1802; A23L 1/1812; A23L
1/1815; A23L 1/1817; A23L 1/217; A23L
7/187; A23P 1/14; A23P 1/142; A23P
1/144; A23P 1/146; A23P 1/148; A47F
3/0404; A47J 27/004; A47J 27/088; A47J
36/027; A47J 36/06; B65D 81/34; B65D
81/3407; B65D 81/3446; B65D 81/3453;
B65D 21/0233; B65D 85/72; B65D
43/021; B65D 71/063; H05B 6/80

DESCRIPTION

See application file for complete search history.

FIG. 1 is a front view of a microwave cooker;
FIG. 2 is a right side view of the microwave cooker depicted
in FIG. 1.
FIG. 3 is a rear view of the microwave cooker depicted in
FIG. 1.
FIG. 4 is a left side view of the microwave cooker depicted
in FIG. 1.
FIG. 5 is a top view of the microwave cooker depicted in
FIG. 1.
FIG. 6 is a bottom view of the microwave cooker depicted
in FIG. 1.

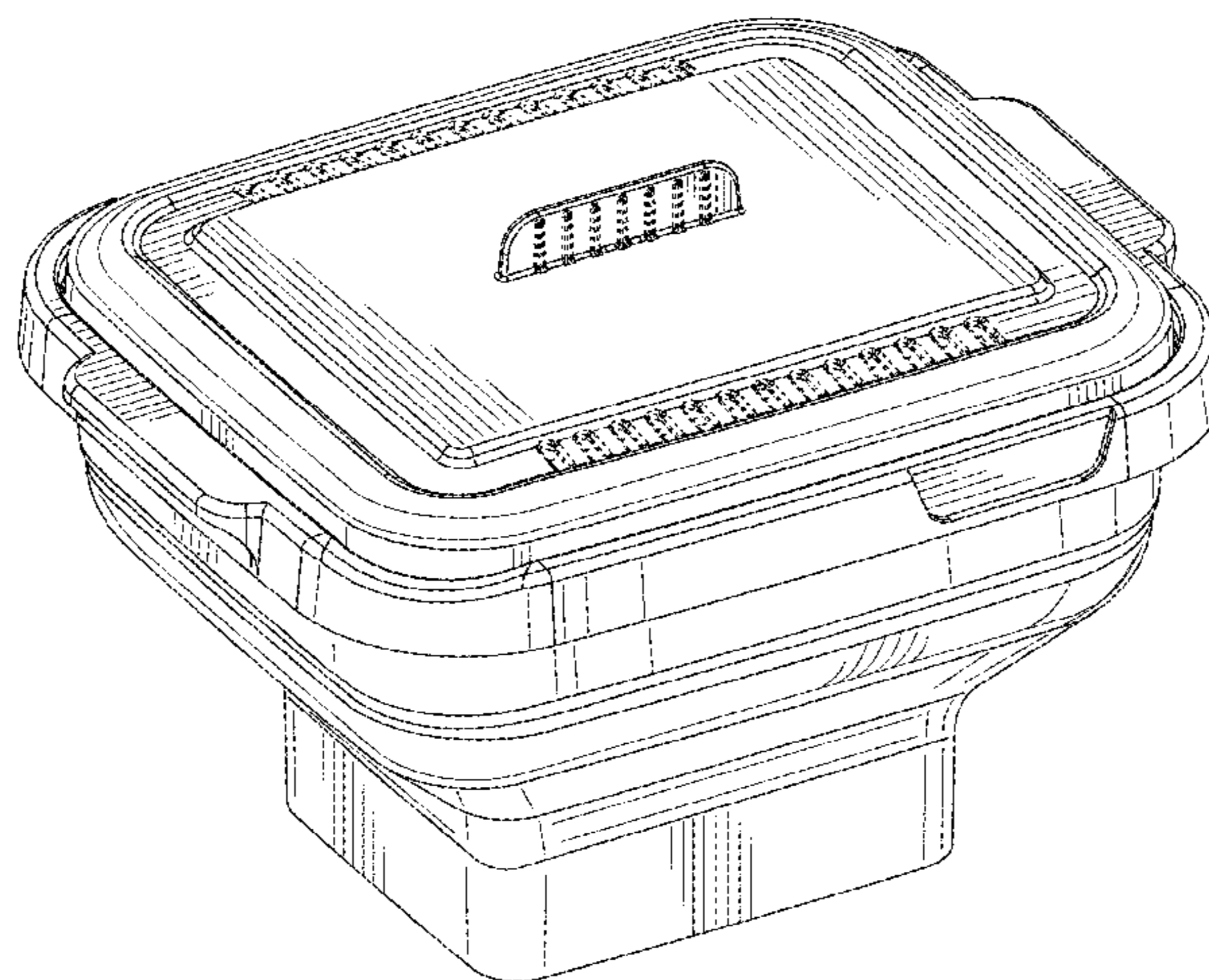
(56) **References Cited**

U.S. PATENT DOCUMENTS

D256,650 S * 9/1980 Juster D7/325
D270,702 S * 9/1983 Bowen D7/325
D271,174 S * 11/1983 Bowen D7/325
D299,106 S * 12/1988 Pomroy D7/325
5,214,257 A * 5/1993 Risky B65D 71/063
219/733

FIG. 7 is a front, perspective view of the microwave cooker
depicted in FIG. 1; and,
FIG. 8 is a rear, perspective view of the microwave cooker
depicted in FIG. 1.
Broken lines shown in the drawings form no part of the
claimed design.

1 Claim, 8 Drawing Sheets



(56)

References Cited

U.S. PATENT DOCUMENTS

D634,188 S * 3/2011 Sellari D9/424
8,247,751 B2 * 8/2012 Jagannathan A47J 27/088
219/734
D675,519 S * 2/2013 Knuston D9/429
9,456,713 B2 * 10/2016 Backaert A47J 36/027

OTHER PUBLICATIONS

Lékué PopCorn Maker, Web printout, May 26, 2017, 2 pages.
Presto® PowerCrisp™ microwave bacon cooker, Web printout,
May 26, 2017, 2 pages.

* cited by examiner

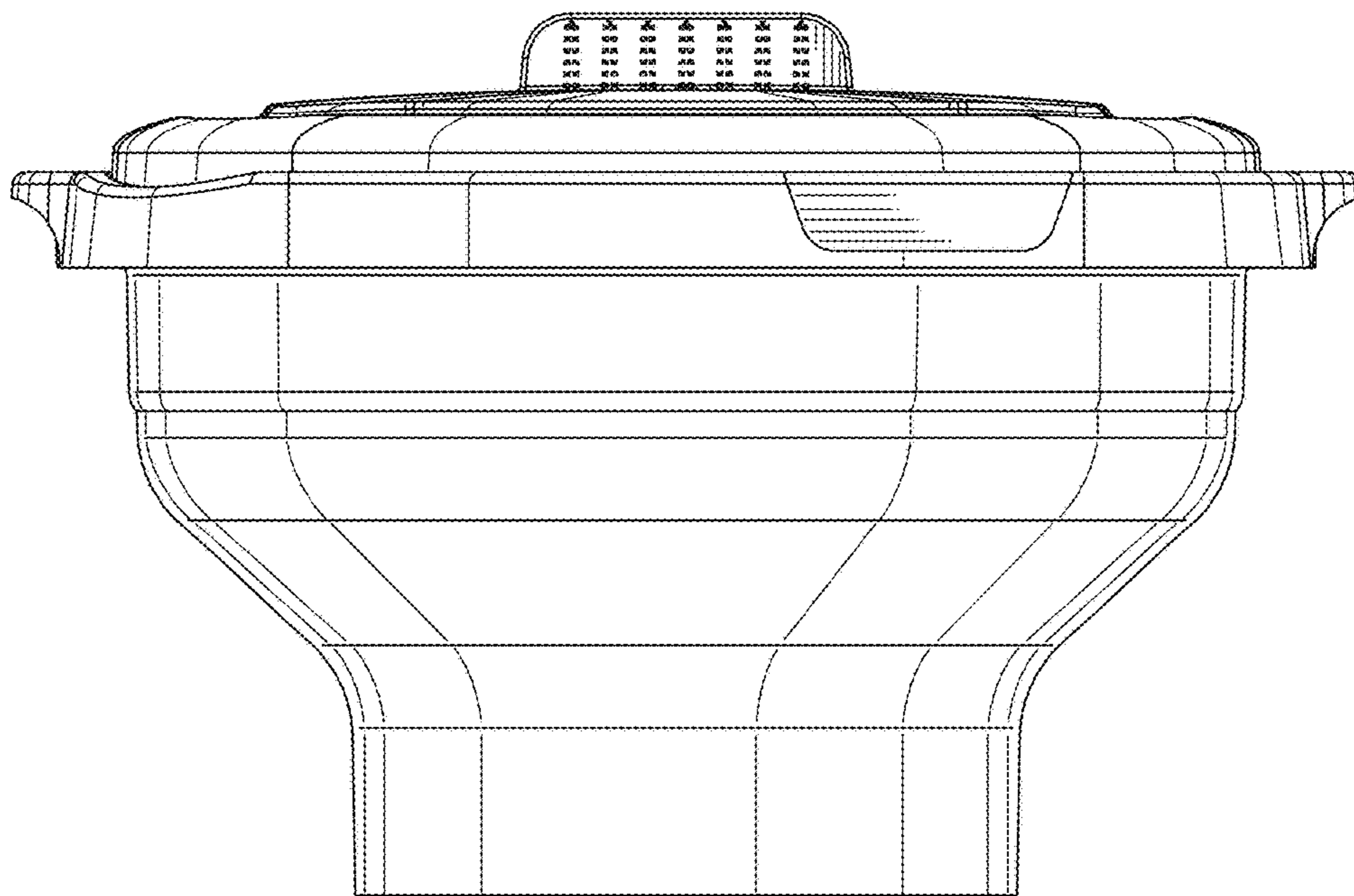


FIG. 1

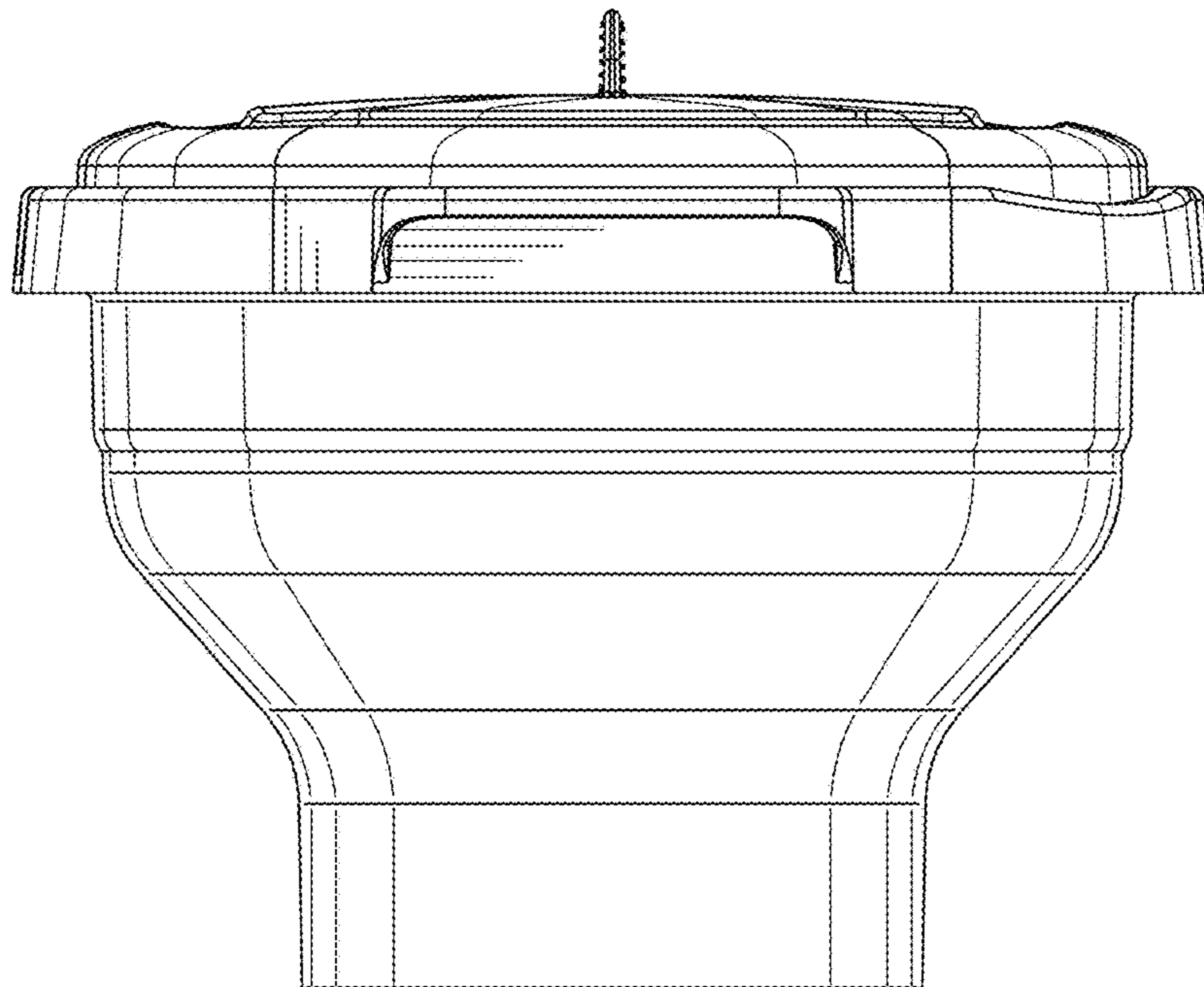


FIG. 2

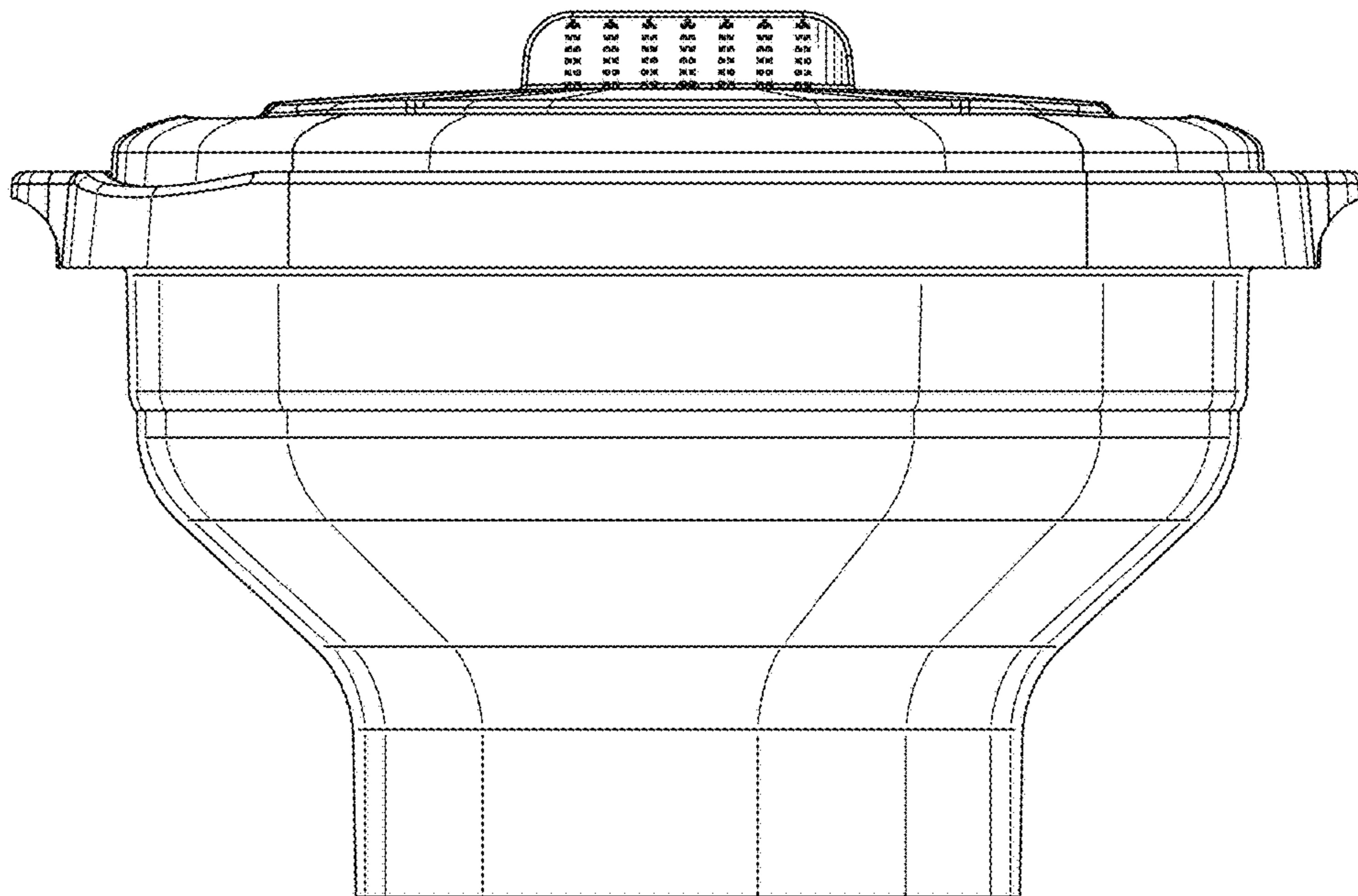


FIG. 3

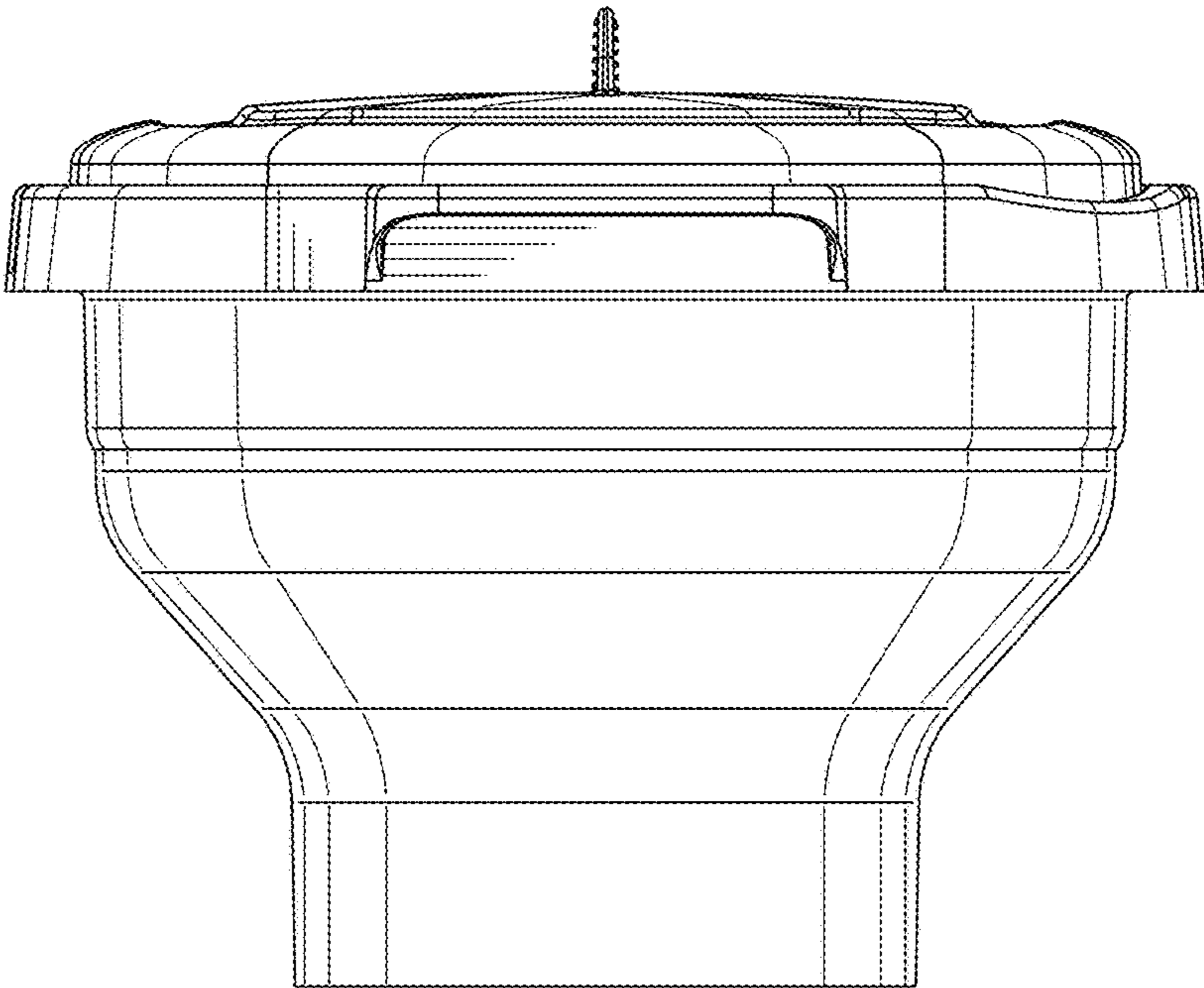


FIG. 4

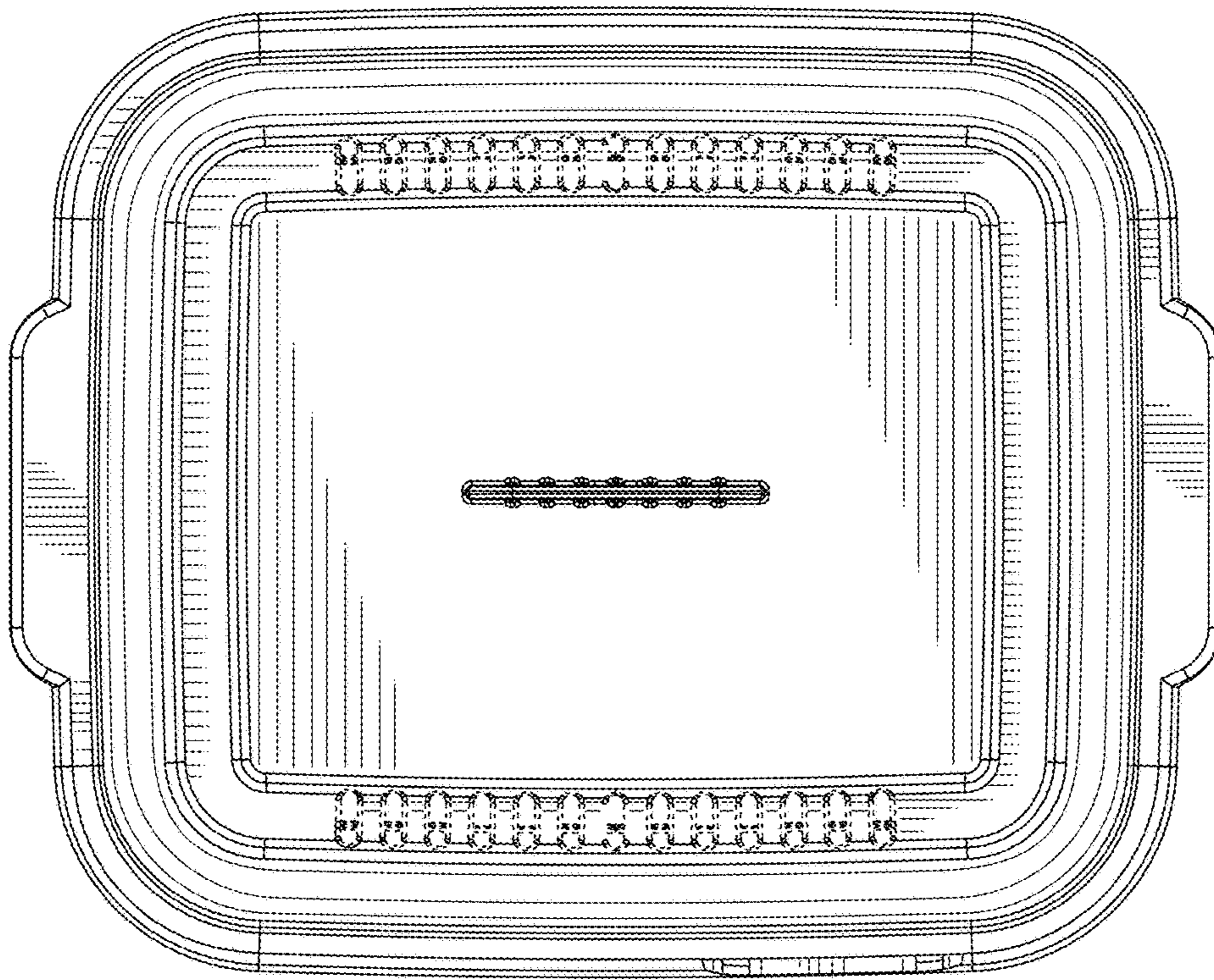


FIG. 5

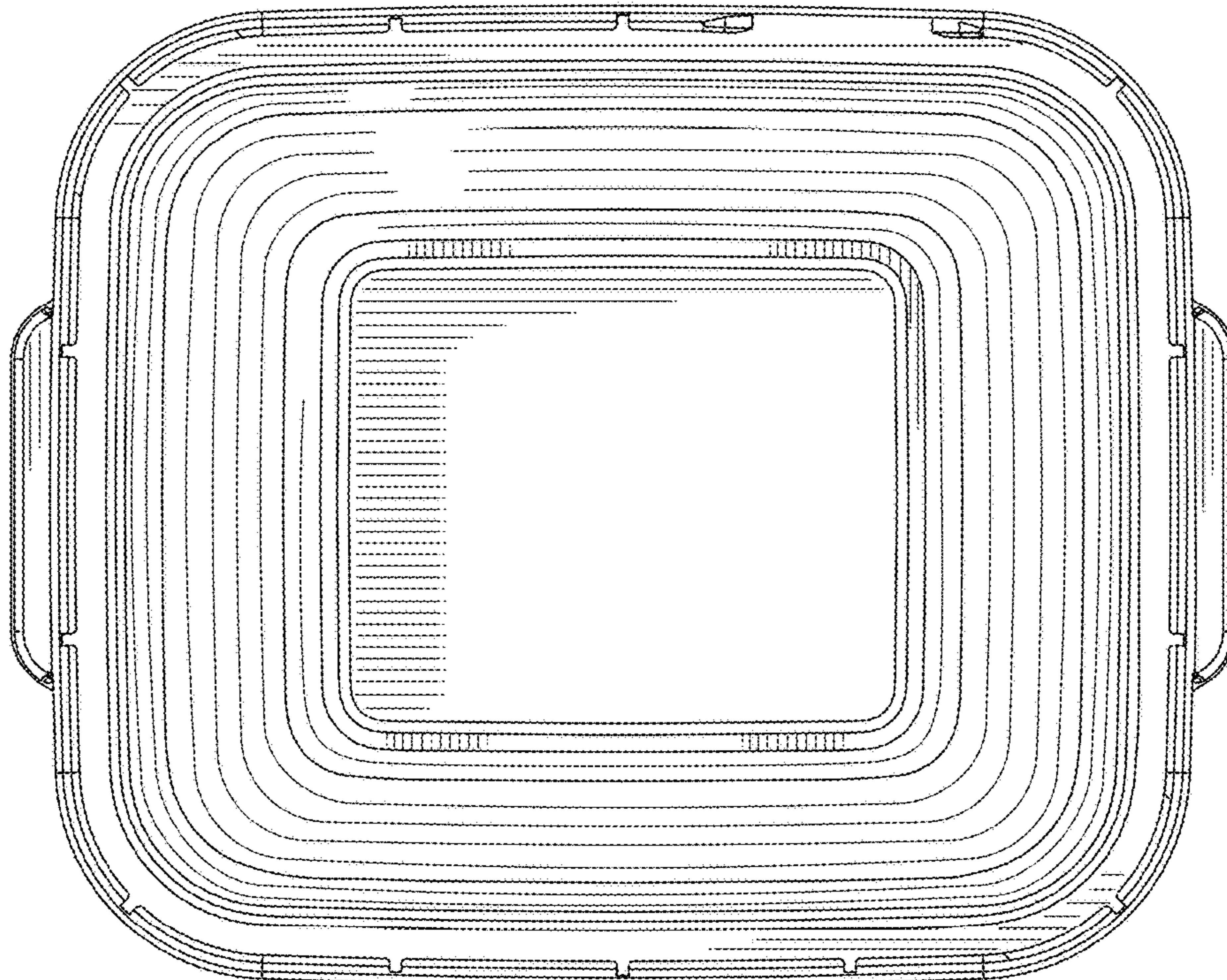


FIG. 6

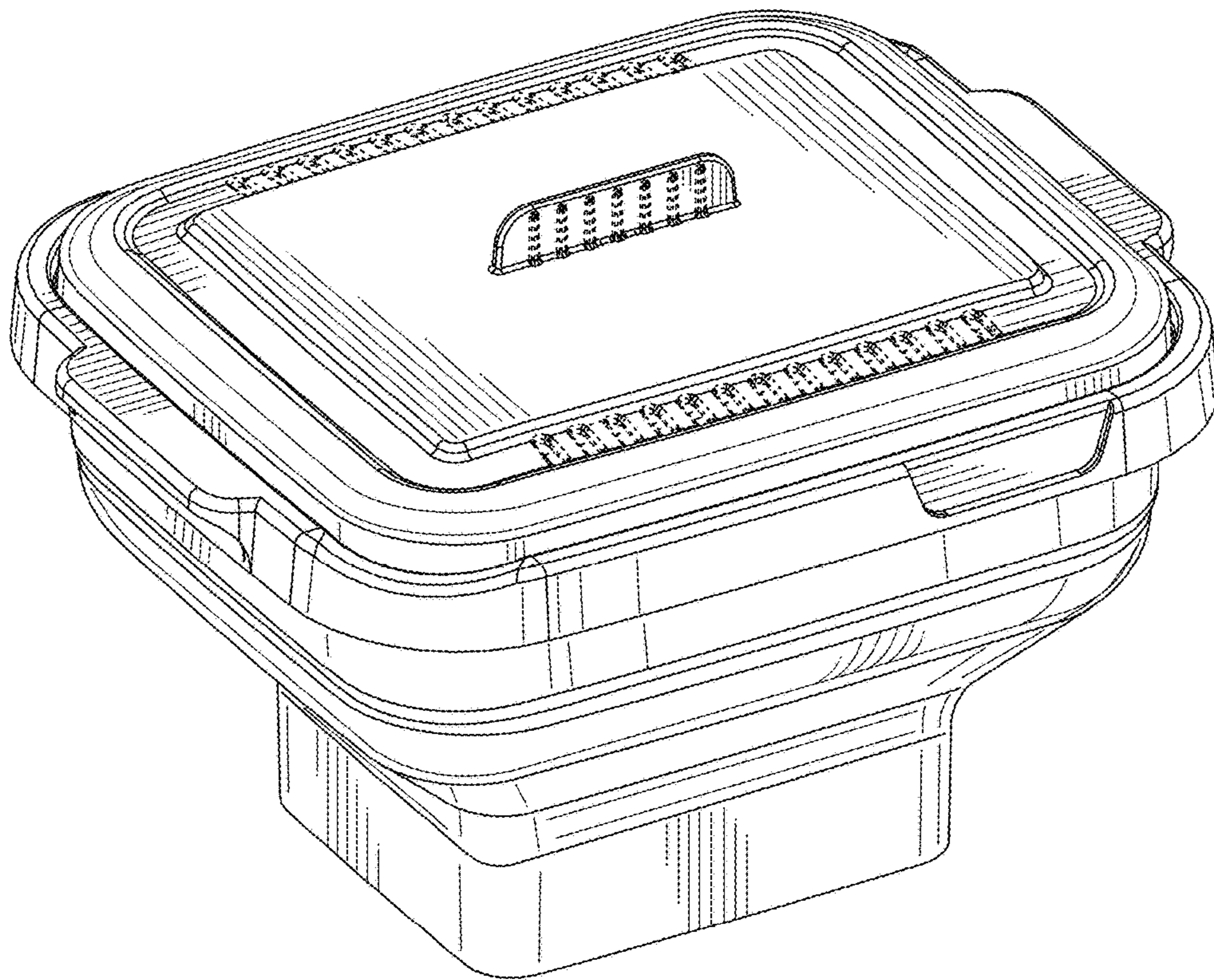


FIG. 7

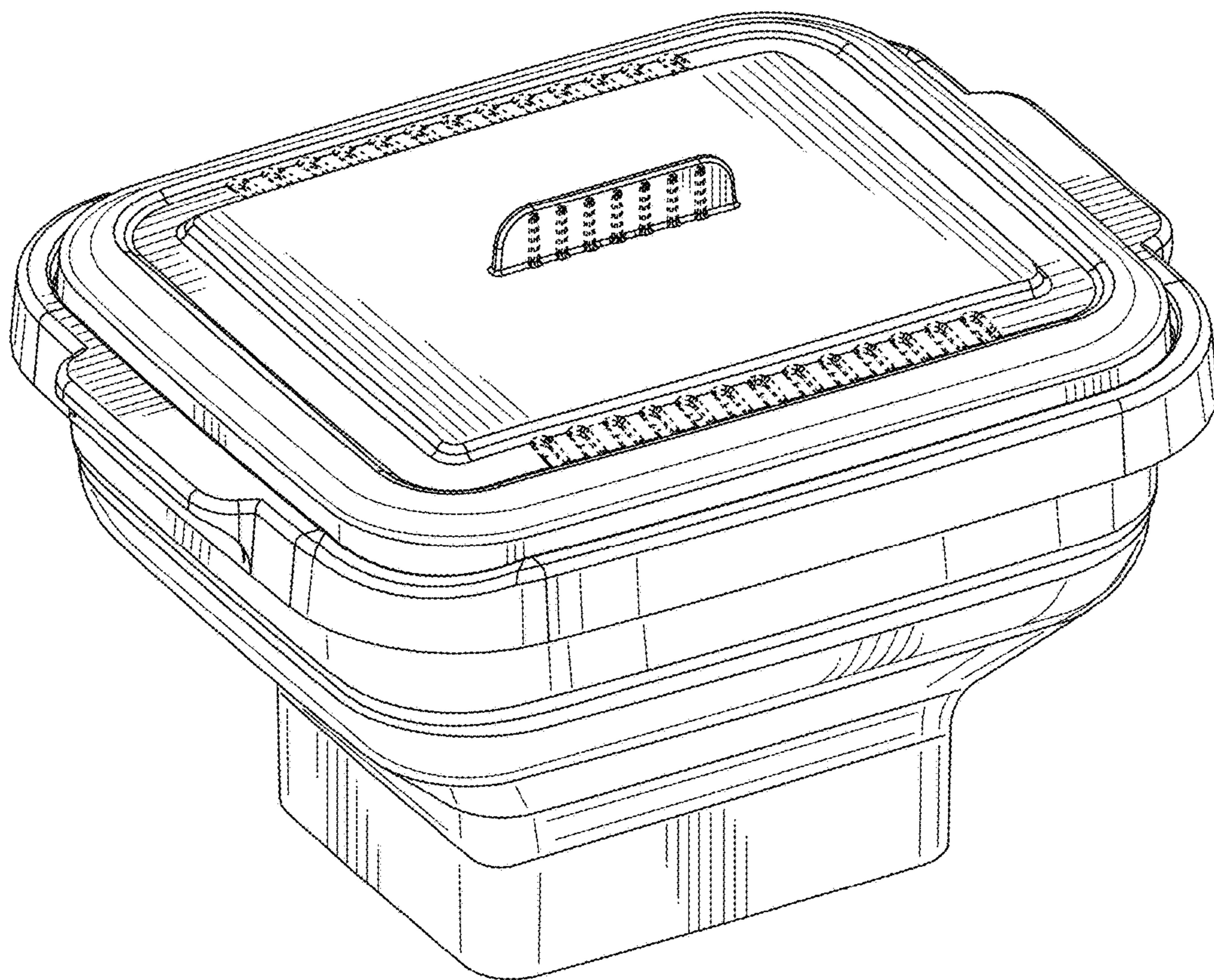


FIG. 8